



US00D326406S

United States Patent [19]

[11] Patent Number: Des. 326,406

Anderson et al.

[45] Date of Patent: ** May 26, 1992

- [54] STRAP FASTENER
- [75] Inventors: Franklin R. Anderson, Durham; John M. Schroer, Raleigh, both of N.C.
- [73] Assignee: Custom Molders, Inc., Durham, N.C.
- [**] Term: 14 Years
- [21] Appl. No.: 463,607
- [22] Filed: Jan. 11, 1990
- [52] U.S. Cl. D8/394
- [58] Field of Search D8/394, 396; 248/72, 248/74.3; 24/16 PB, 30.5 P

Primary Examiner—Melvin B. Feifer
Attorney, Agent, or Firm—Olive & Olive

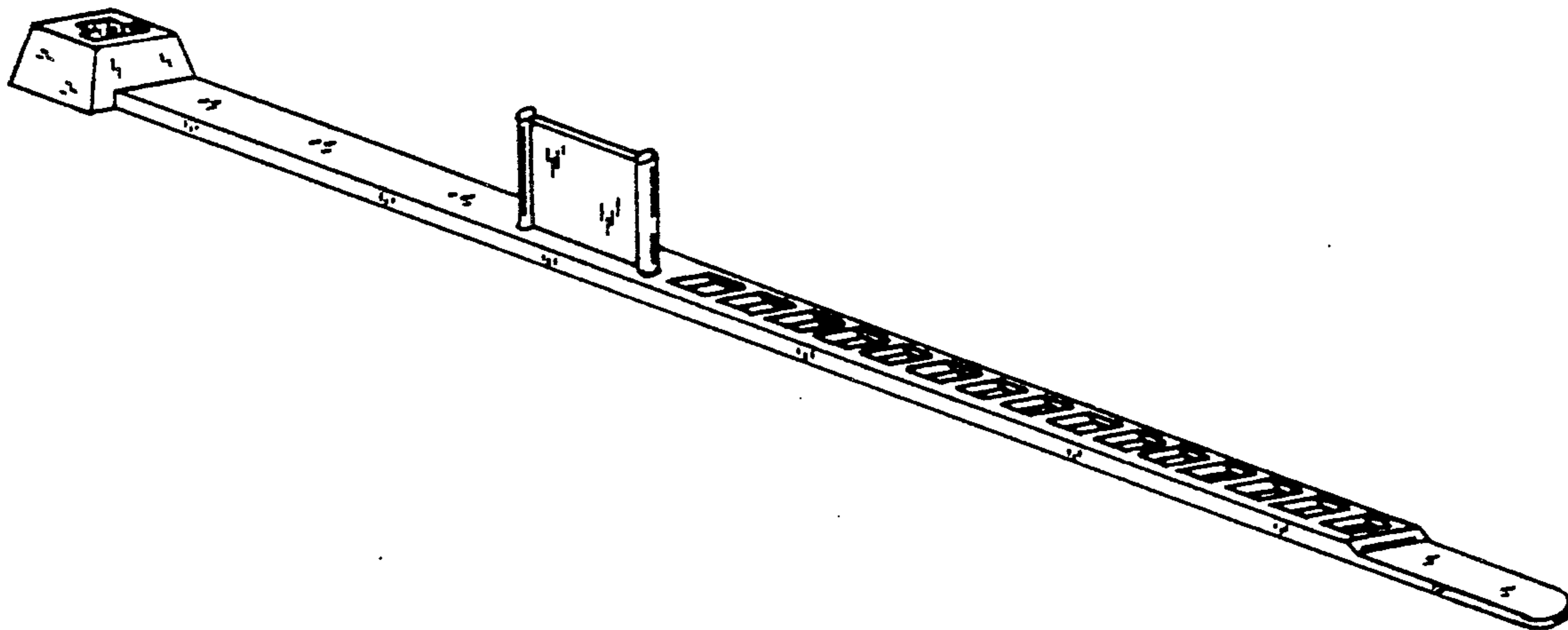
[57] CLAIM

The ornamental design for a strap fastener, as shown and described.

DESCRIPTION

FIG. 1 is a perspective view of a strap fastener showing our new design;
 FIG. 2 is a top plan view thereof;
 FIG. 3 is a bottom plan view thereof;
 FIG. 4 is a left side elevational view thereof, the opposite side being a mirror image;
 FIG. 5 is a left end elevational view taken in the direction of the arrows on line 5—5 of FIG. 4;
 FIG. 6 is a right end elevational view taken in the direction of the arrows on line 6—6 of FIG. 4;
 FIG. 7 is an enlarged fragmentary sectional view taken in the direction of the arrows on line 7—7 of FIG. 2; and,
 FIG. 8 is an enlarged fragmentary sectional view taken in the direction of the arrows in line 8—8 of FIG. 2.

- [56] **References Cited**
- U.S. PATENT DOCUMENTS**
- | | | | |
|------------|---------|----------------|----------|
| D. 222,128 | 10/1971 | Schwartz | D8/394 |
| D. 224,960 | 10/1972 | Wilson | D8/394 |
| D. 255,782 | 7/1980 | Forest | D8/394 |
| D. 273,361 | 4/1984 | Suzuki | D8/396 |
| 4,092,765 | 6/1978 | Joyce | 24/16 PB |
| 4,705,245 | 11/1987 | Osada | 24/16 PB |



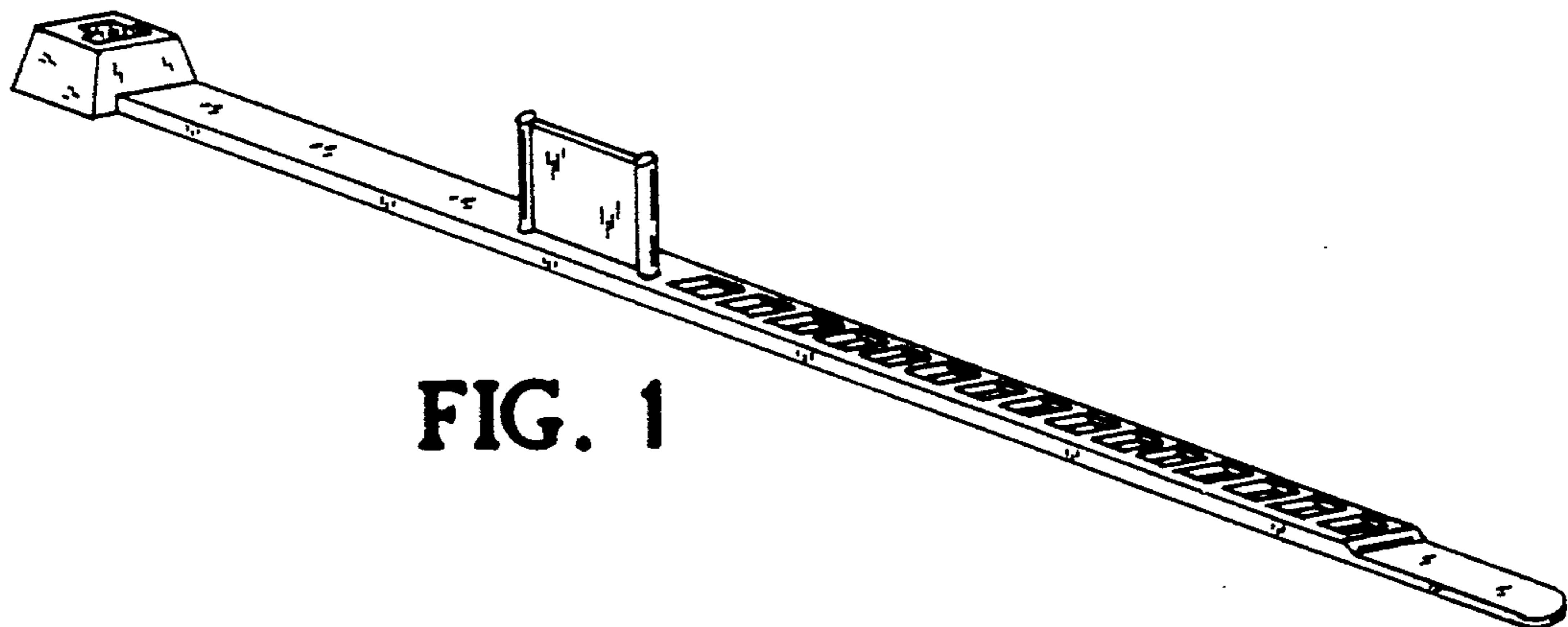


FIG. 1

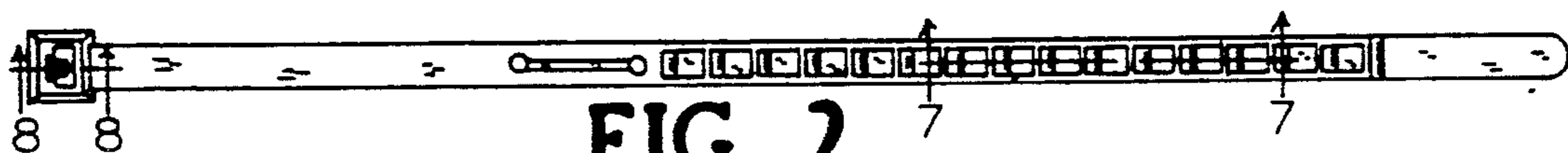


FIG. 2

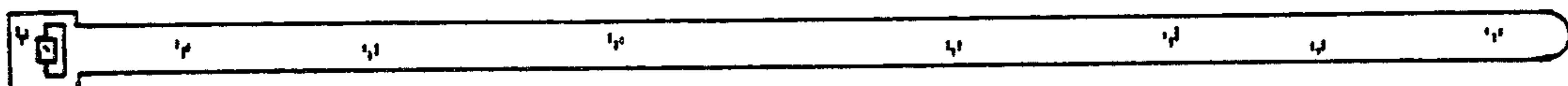


FIG. 3

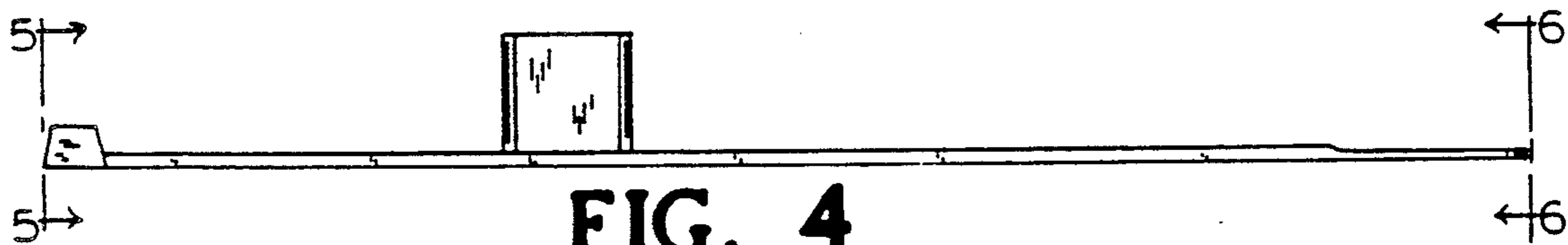


FIG. 4



FIG. 5



FIG. 7



FIG. 6



FIG. 8