



US00D326404S

United States Patent [19]

[11] Patent Number: **Des. 326,404**

Spell

[45] Date of Patent: **** May 26, 1992**

[54] CABLE SUPPORT

2,996,275 8/1961 Holton 248/73

[76] Inventor: **Louis T. Spell**, 10016 E. Fowler Ave., Thonotosassa, Fla. 33592

OTHER PUBLICATIONS

Photographs of prior art exhibits A-D submitted Sep. 26, 1990.

[**] Term: **14 Years**

Primary Examiner—Wallace R. Burke
Assistant Examiner—H. Baynham
Attorney, Agent, or Firm—Frijouf, Rust & Pyle

[21] Appl. No.: **517,605**

[22] Filed: **May 2, 1990**

[52] U.S. Cl. **D8/356**

[57] CLAIM

[58] Field of Search D32/60; D8/354, 356, D8/360; 248/73; 24/129 R, 68 R; 211/87; 254/134.4, 134.3 FT; D13/154

The ornamental design for a cable support, as shown and described.

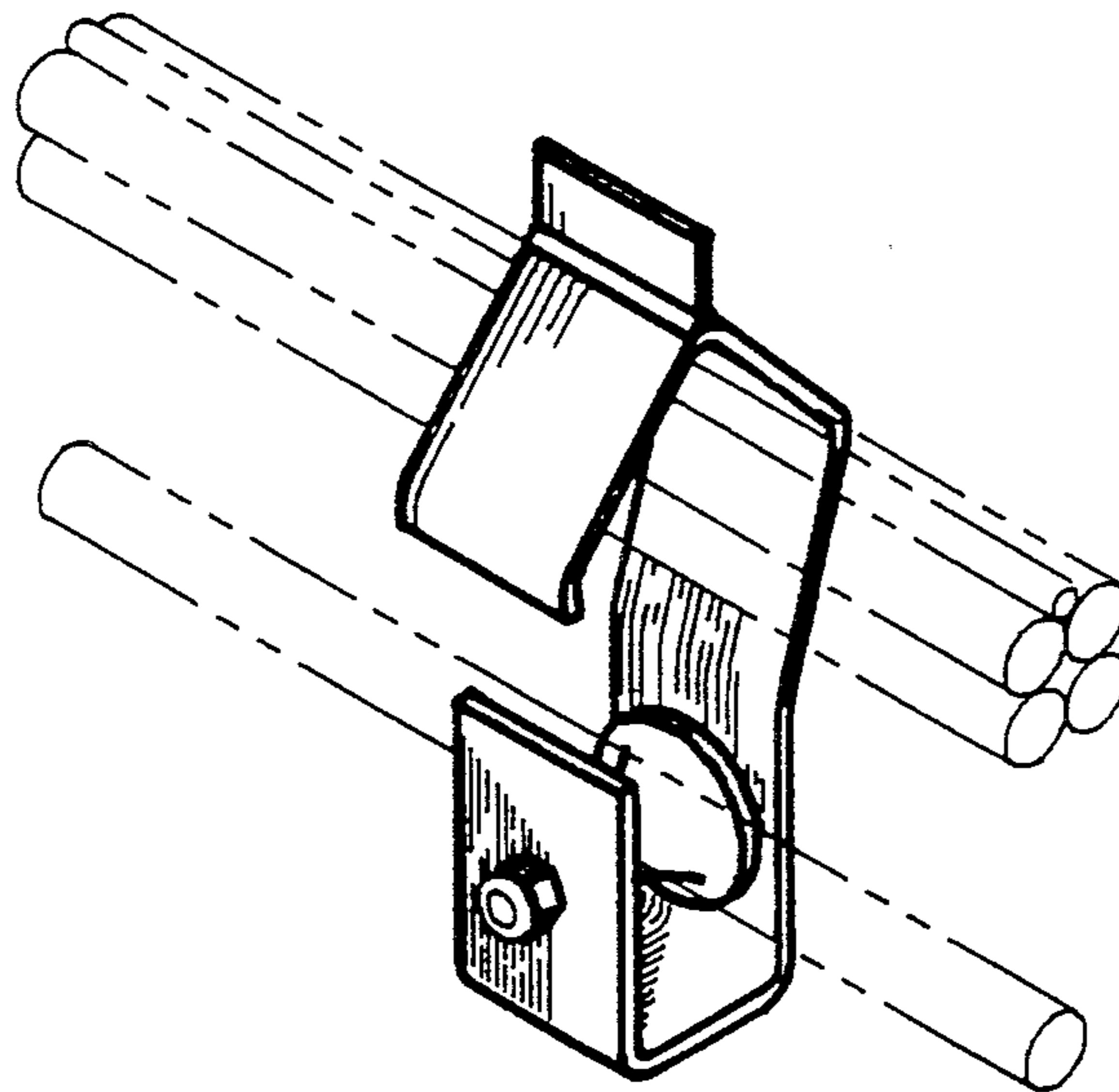
[56] References Cited

DESCRIPTION

U.S. PATENT DOCUMENTS

D. 3,734	11/1869	Hager	D8/360
1,459,115	6/1923	Pedersen	D32/60 X
1,581,886	4/1926	Strand	211/87
2,453,980	11/1948	Hartman	248/73 X
2,508,491	5/1950	Cayo	24/129 R

FIG. 1 is a front, side perspective view of a cable support showing my new design;
FIG. 2 is a right side elevational view thereof;
FIG. 3 is a front elevational view thereof;
FIG. 4 is a rear elevational view thereof;
FIG. 5 is a top plan view thereof; and,
FIG. 6 is a bottom plan view thereof.



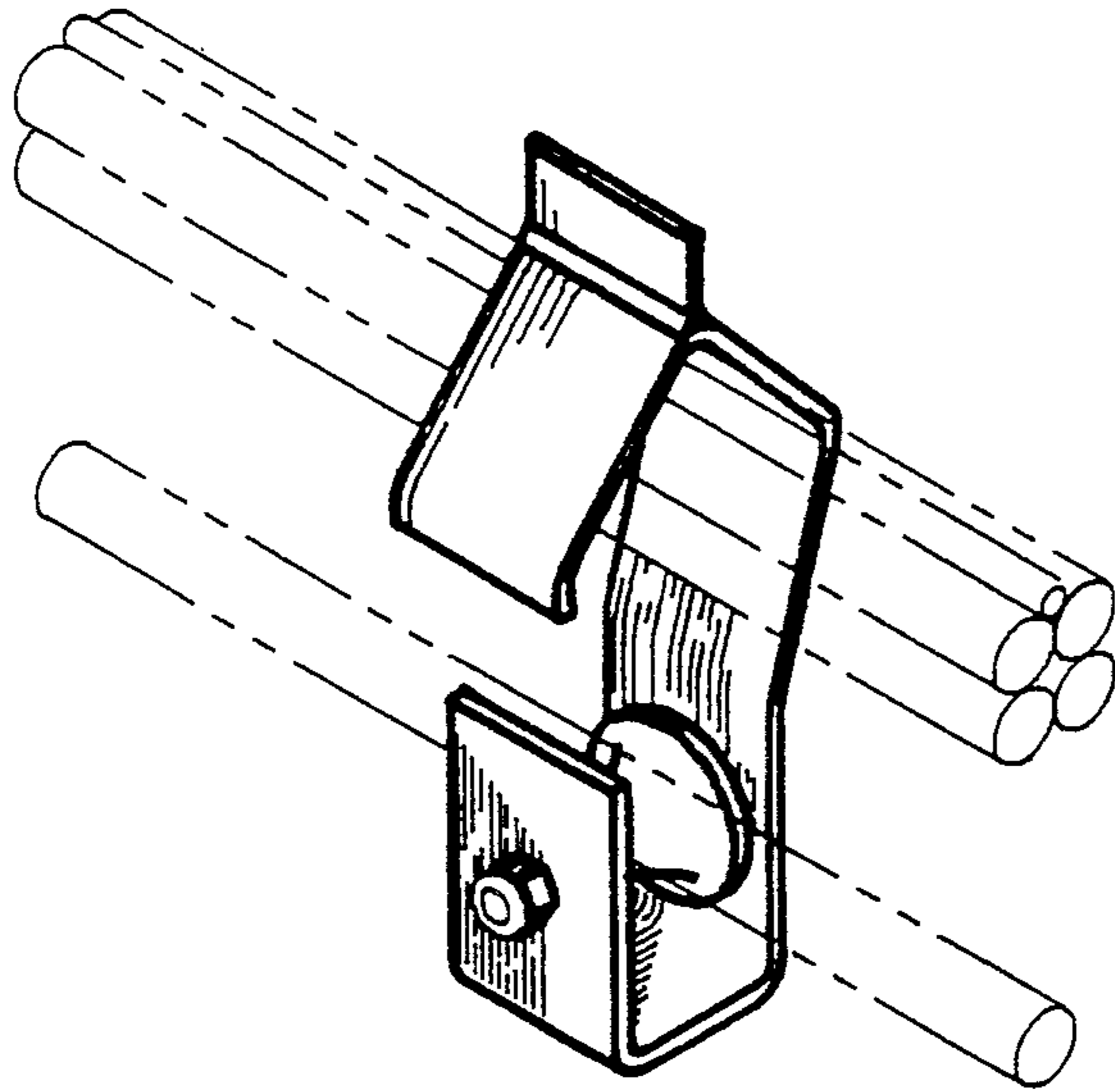


FIG. 1

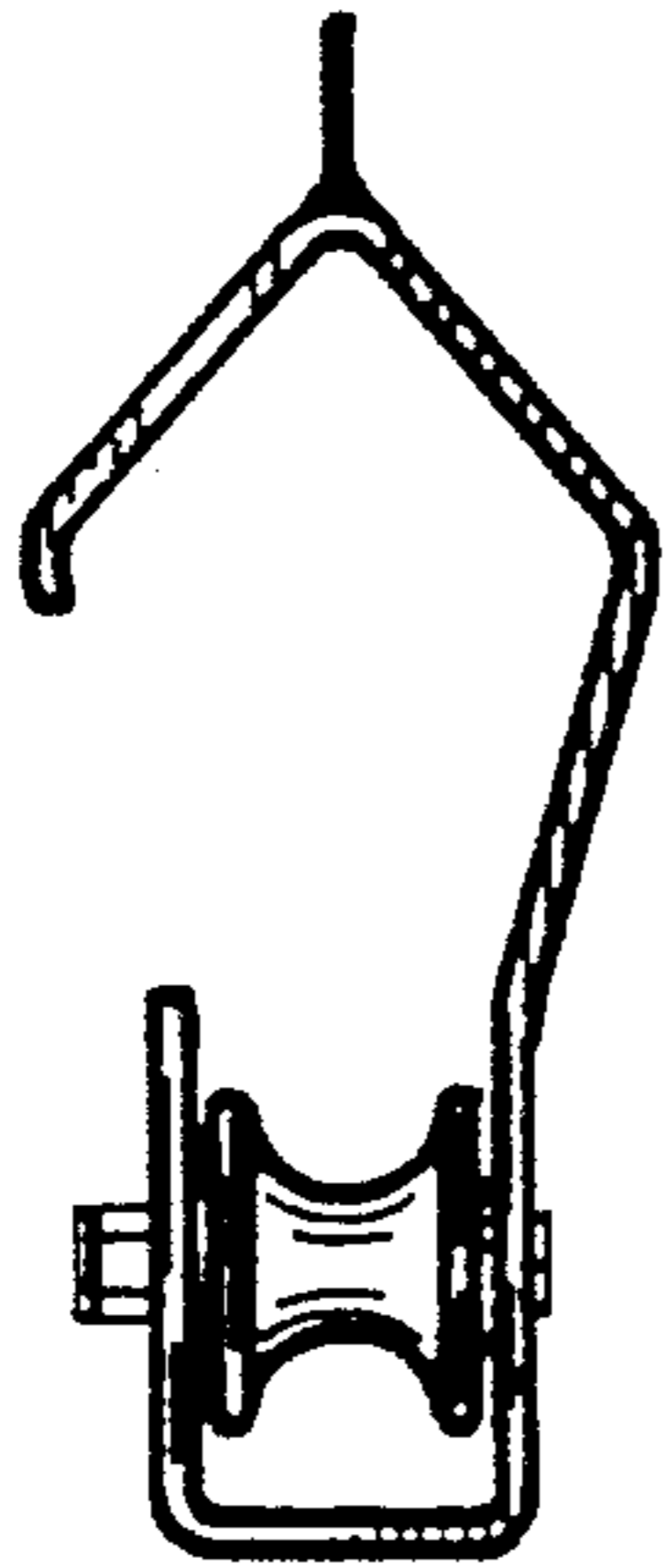


FIG. 2



FIG. 3



FIG. 4



FIG. 5



FIG. 6