



US00D326402S

# United States Patent [19]

[11] Patent Number: Des. 326,402

Nicholoulas

[45] Date of Patent: \*\* May 26, 1992

[54] REFRIGERATOR LATCH

[76] Inventor: Michael Nicholoulas, 2407  
Manchester Ave., Cardiff, Calif.  
92007

[\*\*] Term: 14 Years

[21] Appl. No.: 548,738

[22] Filed: Jul. 5, 1990

[52] U.S. Cl. .... D8/331

[58] Field of Search ..... D8/330-331,  
D8/339, 342, 344, 382, 336; 292/281-287,  
DIG. 12, DIG. 38, DIG. 69, DIG. 71, 288,  
262, 228

4,290,663 9/1981 Sullivan ..... 292/114  
4,469,358 9/1984 Abbott ..... 292/288  
4,647,091 3/1987 Roubin ..... 292/204  
4,648,637 3/1987 Walter ..... 292/DIG. 71

Primary Examiner—Brian N. Vinson  
Attorney, Agent, or Firm—Duane C. Bowen

### [57] CLAIM

The ornamental design for a refrigerator latch, as shown and described.

### DESCRIPTION

FIG. 1 is a top, front, and left side elevational view of a refrigerator latch showing my new design, the broken-line disclosure of a refrigerator being for illustrative purposes only and forming no part of the claimed design;

FIG. 2 is an enlarged top, front, and left side perspective view thereof;

FIG. 3 is an enlarged right side elevational view thereof;

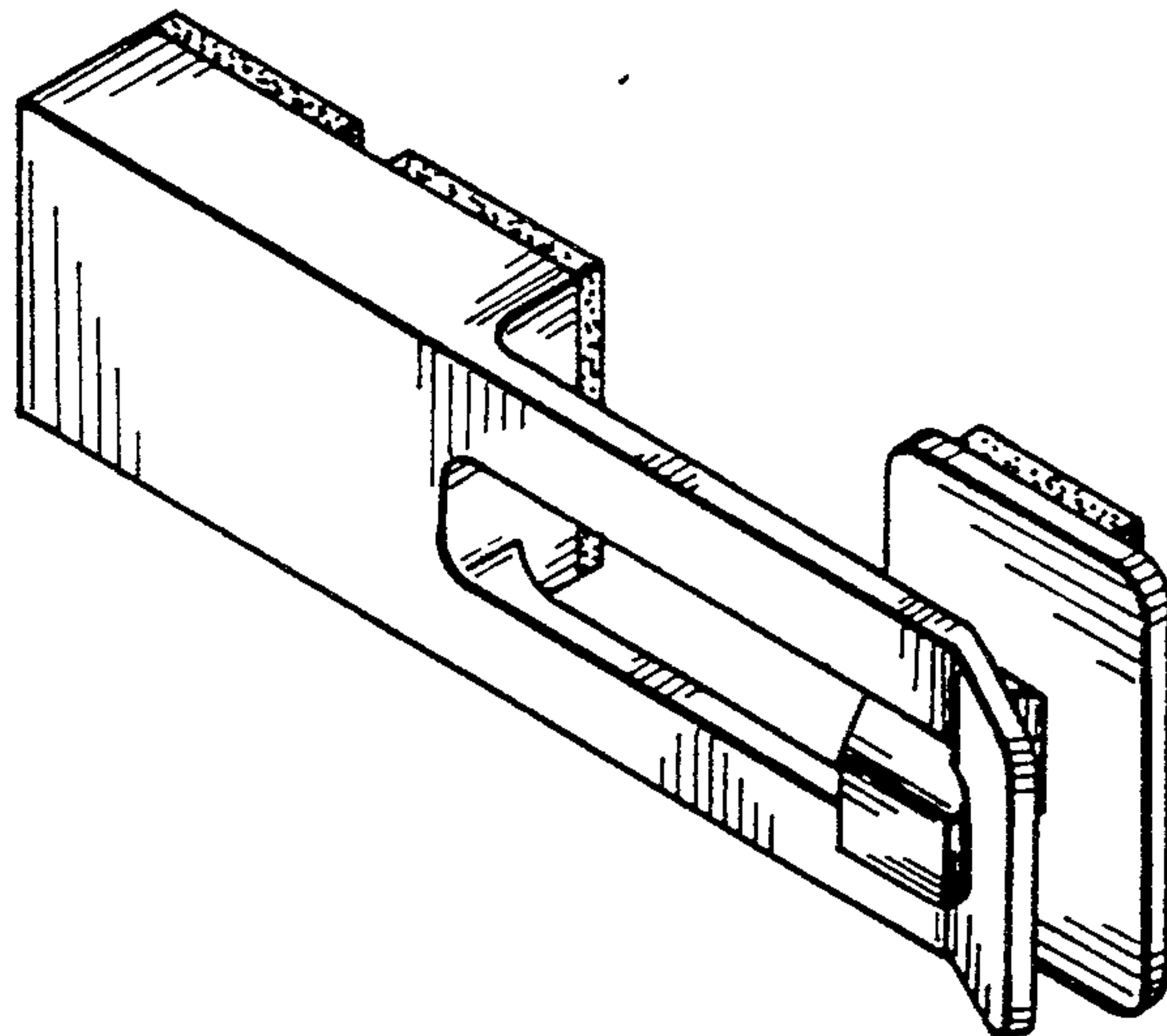
FIG. 4 is an enlarged left side elevational view thereof;

FIG. 5 is an enlarged bottom plan view thereof, the top being a mirror image of that shown; and,

FIG. 6 is an enlarged rear elevational view thereof.

[56] **References Cited**  
U.S. PATENT DOCUMENTS

D. 228,277	9/1973	Foote	.....	D8/336
D. 229,479	12/1973	Borsani	.....	D8/336 X
D. 242,596	12/1976	Munson	.....	D8/339
3,831,987	8/1974	Misenheimer	.....	292/246
4,062,578	12/1977	Chen	.....	292/262
4,132,440	1/1979	Johnson	.....	292/DIG. 71
4,261,605	4/1981	Hock	.....	292/228



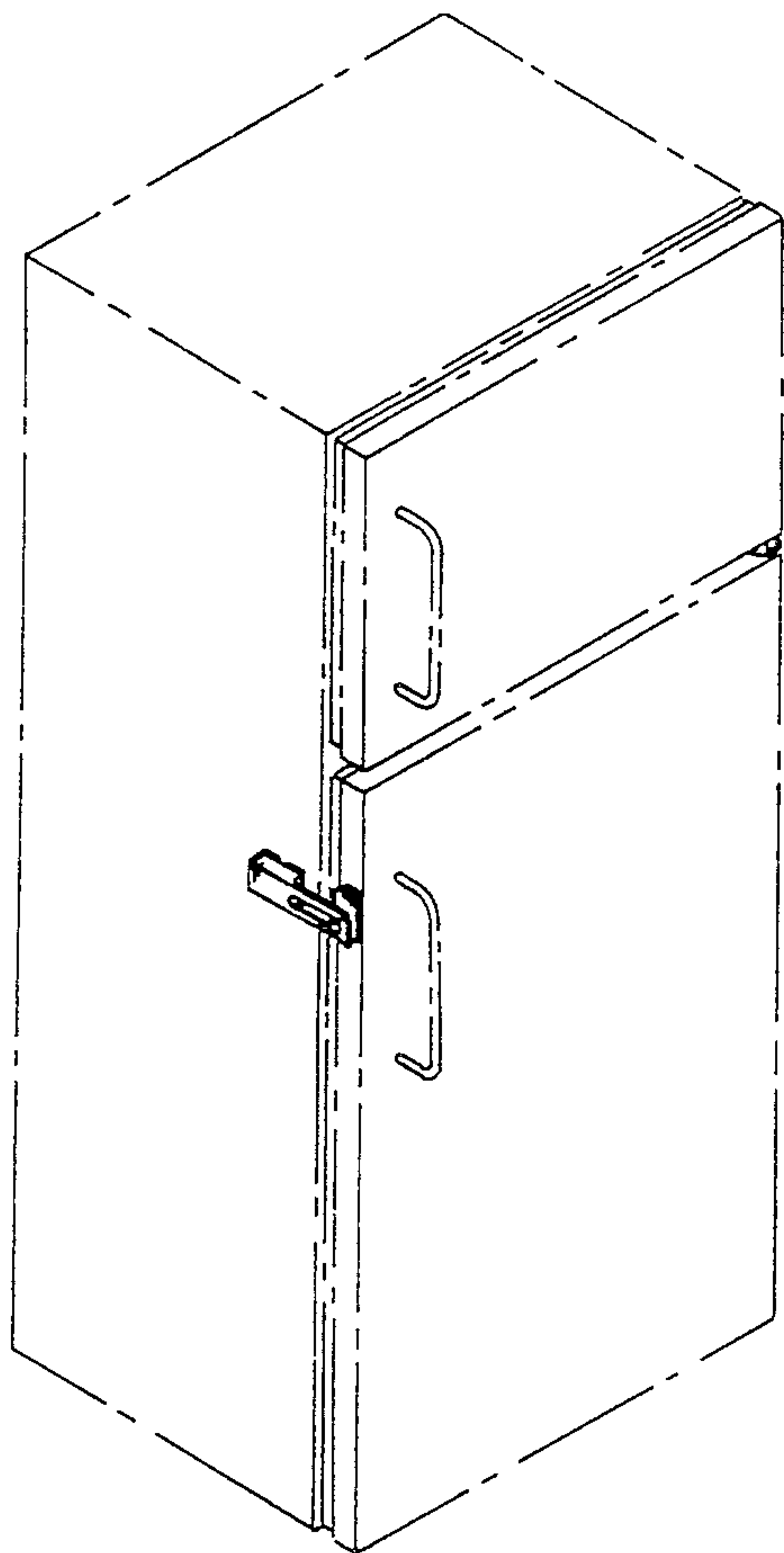


FIG. 1

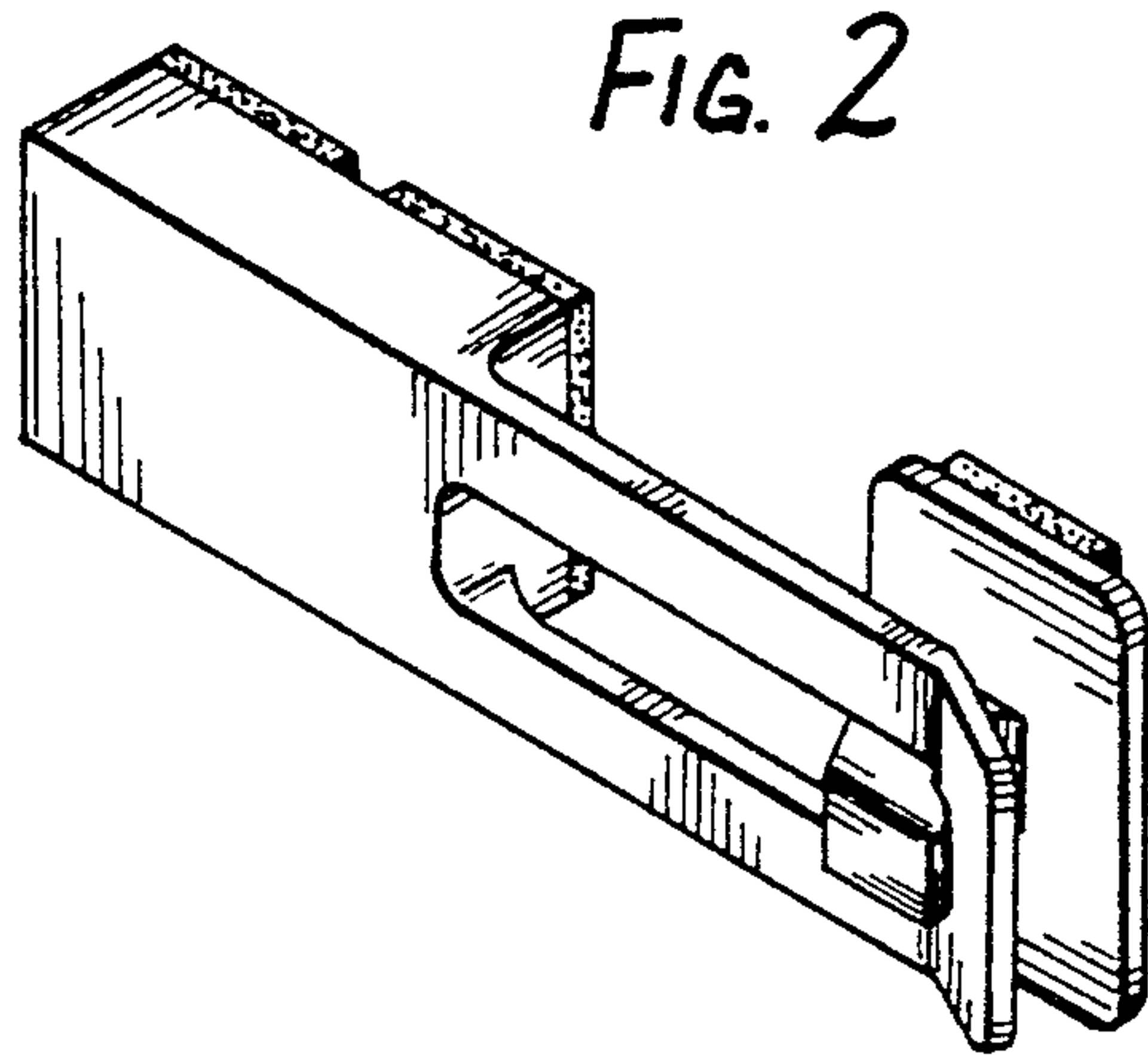


FIG. 2

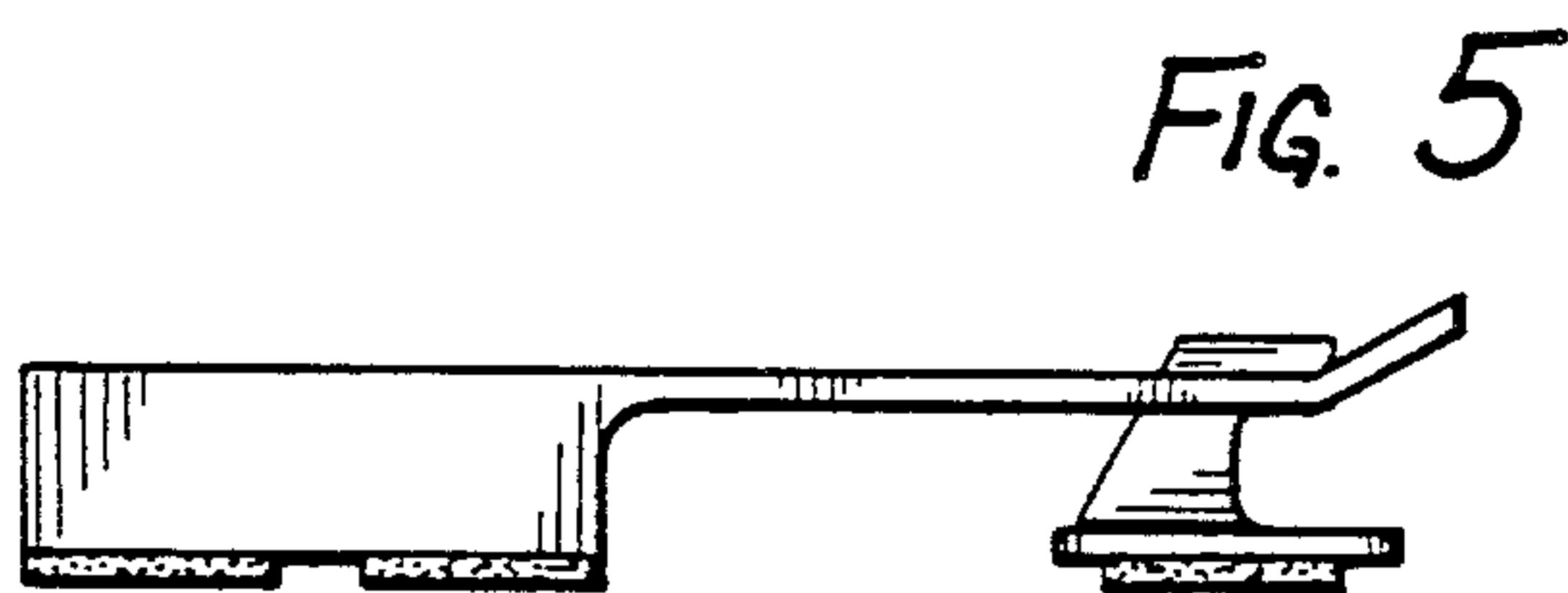


FIG. 5

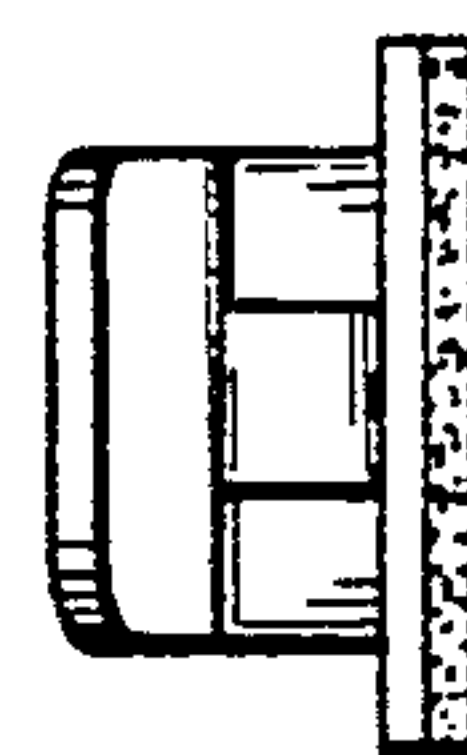


FIG. 3

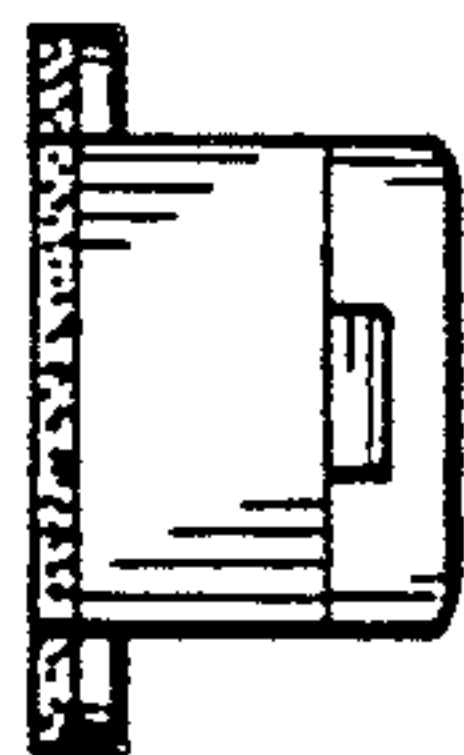


FIG. 4

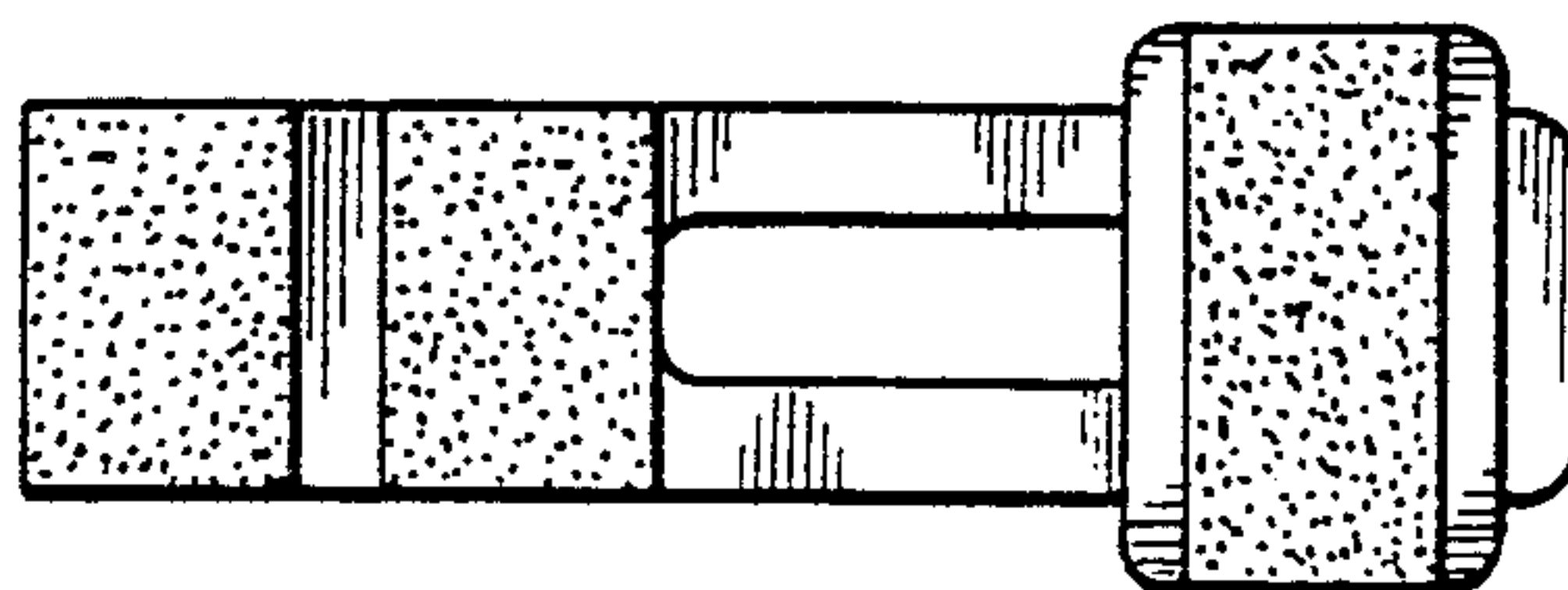


FIG. 6