



US00D326400S

United States Patent [19]

[11] Patent Number: **Des. 326,400**

Fushiya et al.

[45] Date of Patent: **** May 26, 1992**

[54] PORTABLE ELECTRIC DRILL

[56] References Cited

[75] Inventors: **Fusao Fushiya; Katsuya Hatakeyama,**
both of Anjo, Japan

U.S. PATENT DOCUMENTS

- D. 304,287 10/1989 Zurwelle D8/68
- D. 314,498 2/1991 Hoshino et al. D8/68
- D. 314,698 2/1991 Zurwelle D8/68
- D. 319,763 9/1991 Reiferscheid D8/68

[73] Assignee: **Makita Electric Works, Ltd.,**
Anjo, Japan

Primary Examiner—Donald P. Walsh
Assistant Examiner—J. H. Musgrove
Attorney, Agent, or Firm—Dennison, Meserole, Pollack
& Scheiner

[**] Term: **14 Years**

[57] CLAIM

[21] Appl. No.: **454,130**

The ornamental design for a portable electric drill, as shown and described.

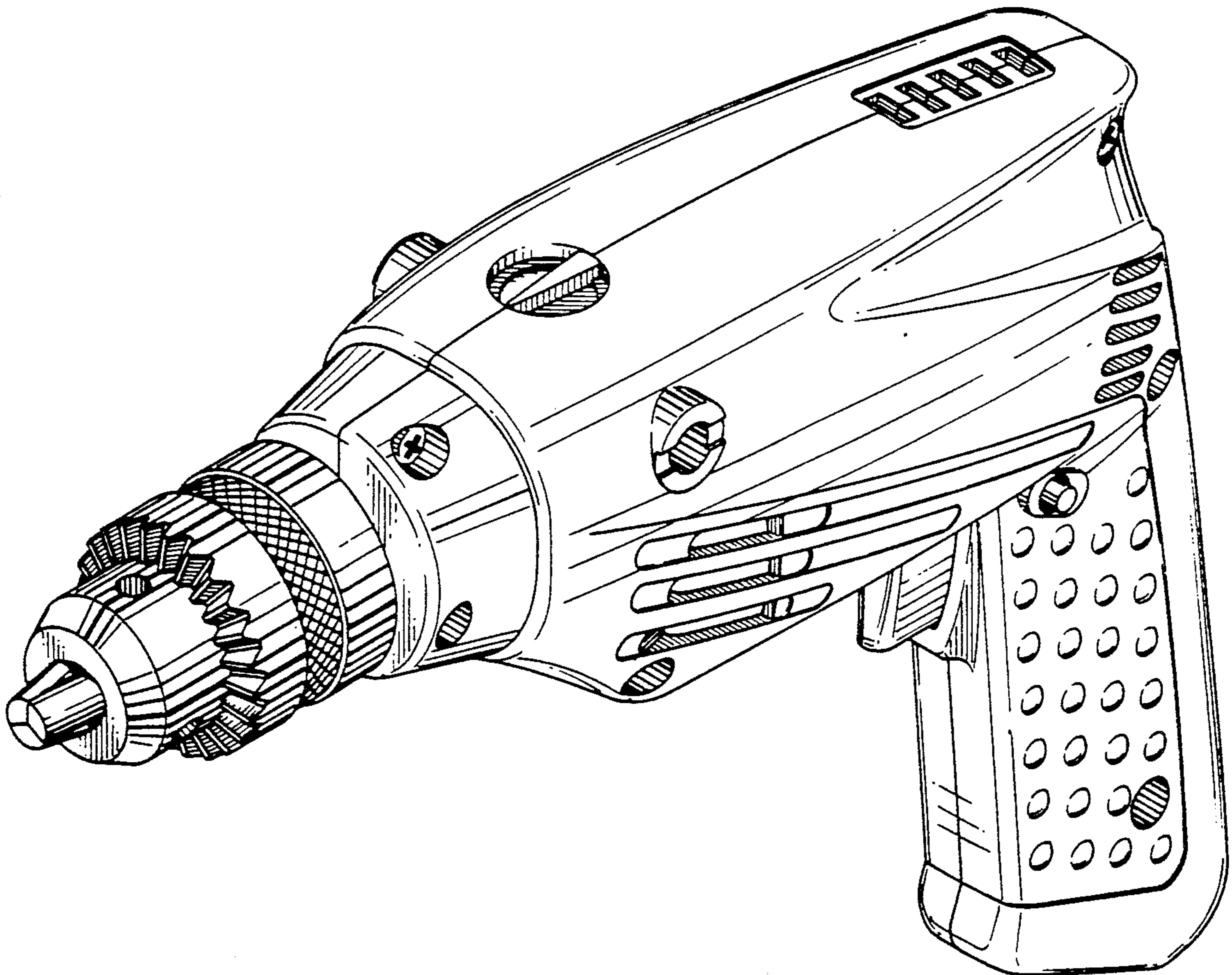
[22] Filed: **Dec. 21, 1989**

DESCRIPTION

[30] Foreign Application Priority Data

- Jun. 28, 1989 [JP] Japan 1-23943
- [52] U.S. Cl. **D8/68**
- [58] Field of Search D8/61-68;
81/54, 57, 57.11, 57.14; 408/124, 125, 127;
173/163, 170

FIG. 1 is a perspective view of a portable electric drill showing our new design;
FIG. 2 is a front elevational view thereof;
FIG. 3 is a rear elevational view thereof;
FIG. 4 is a left side elevational view thereof;
FIG. 5 is a right side elevational view thereof;
FIG. 6 is a top plan view thereof; and,
FIG. 7 is a bottom plan view thereof.



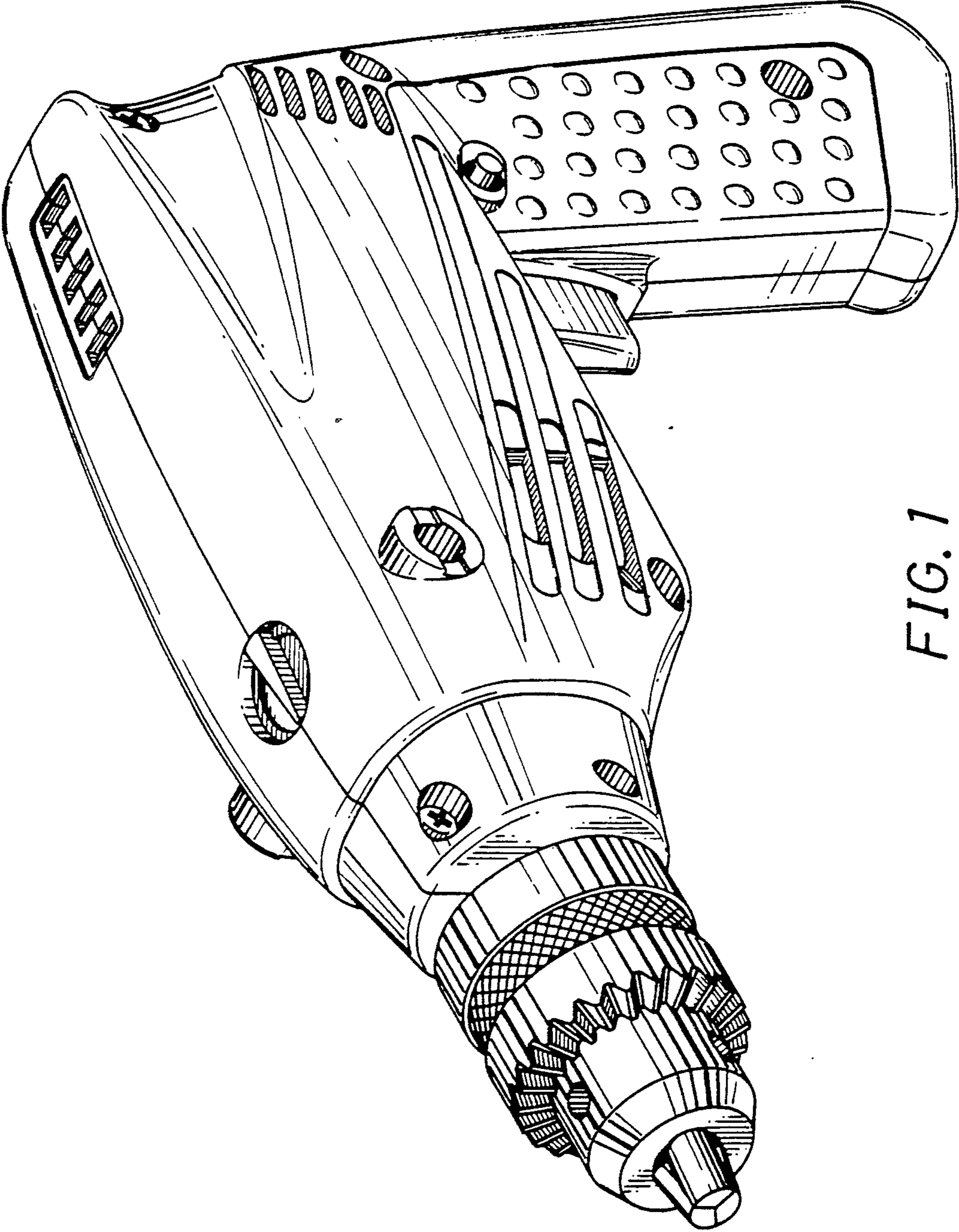


FIG. 1

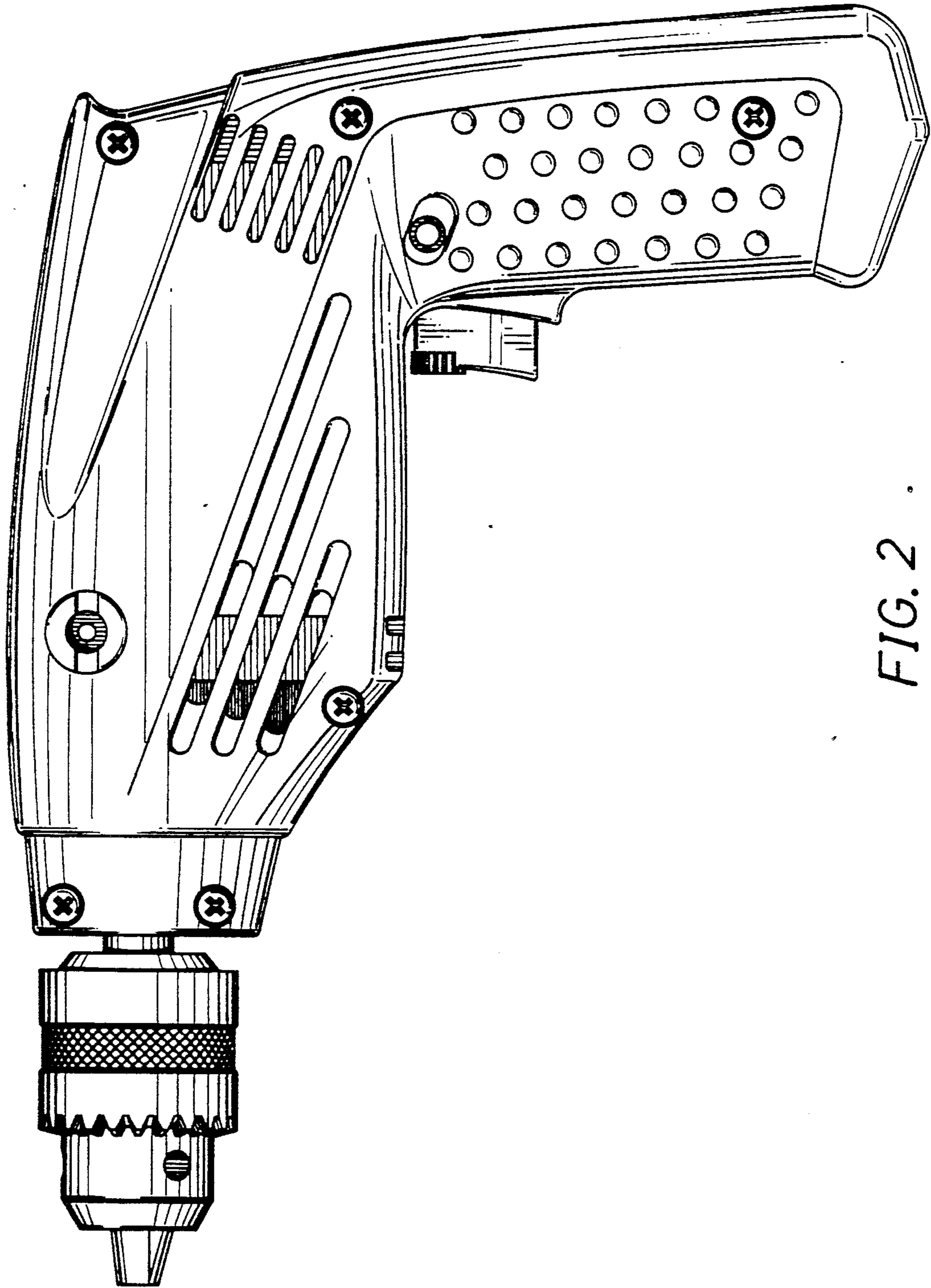


FIG. 2

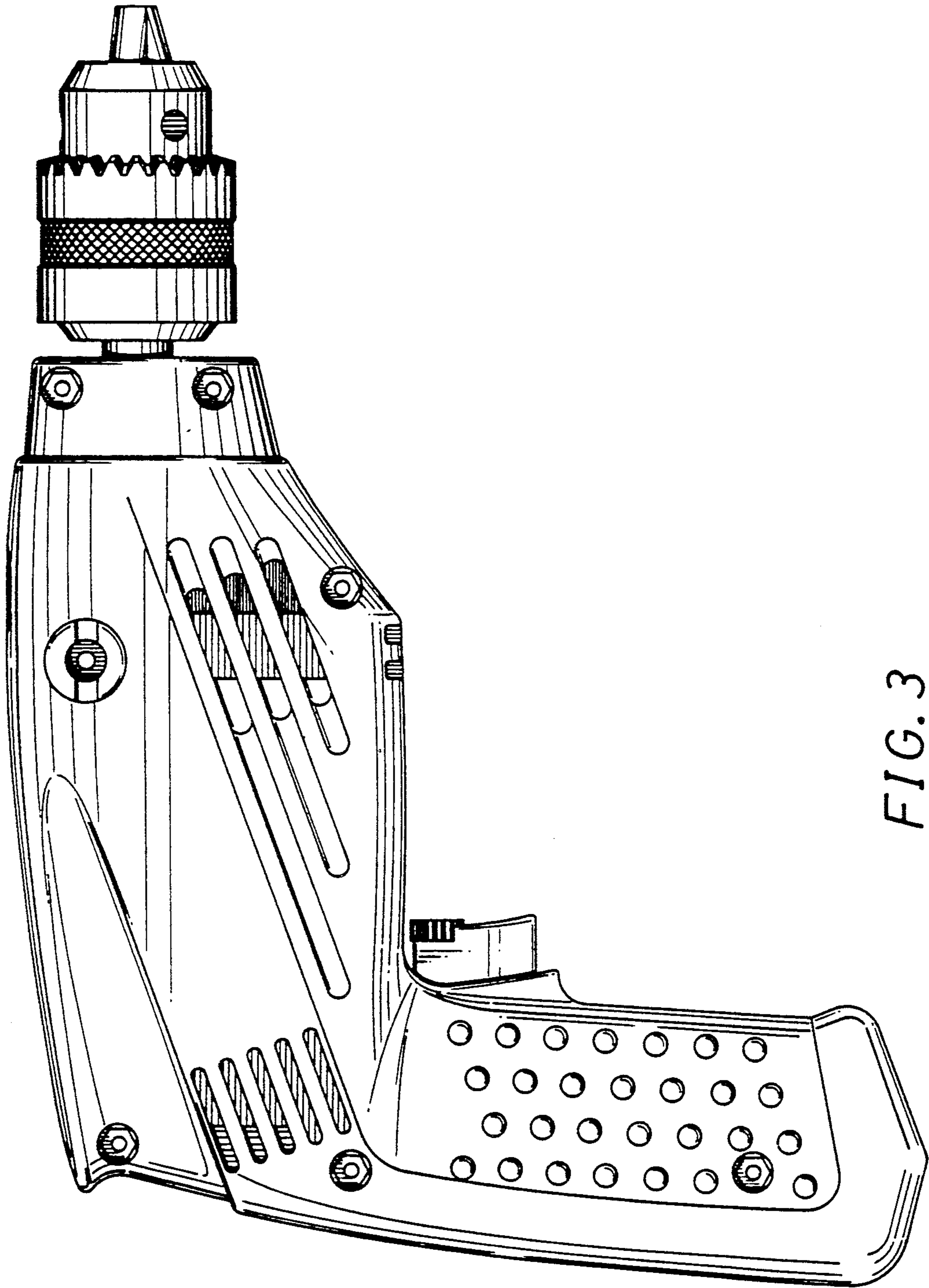


FIG. 3

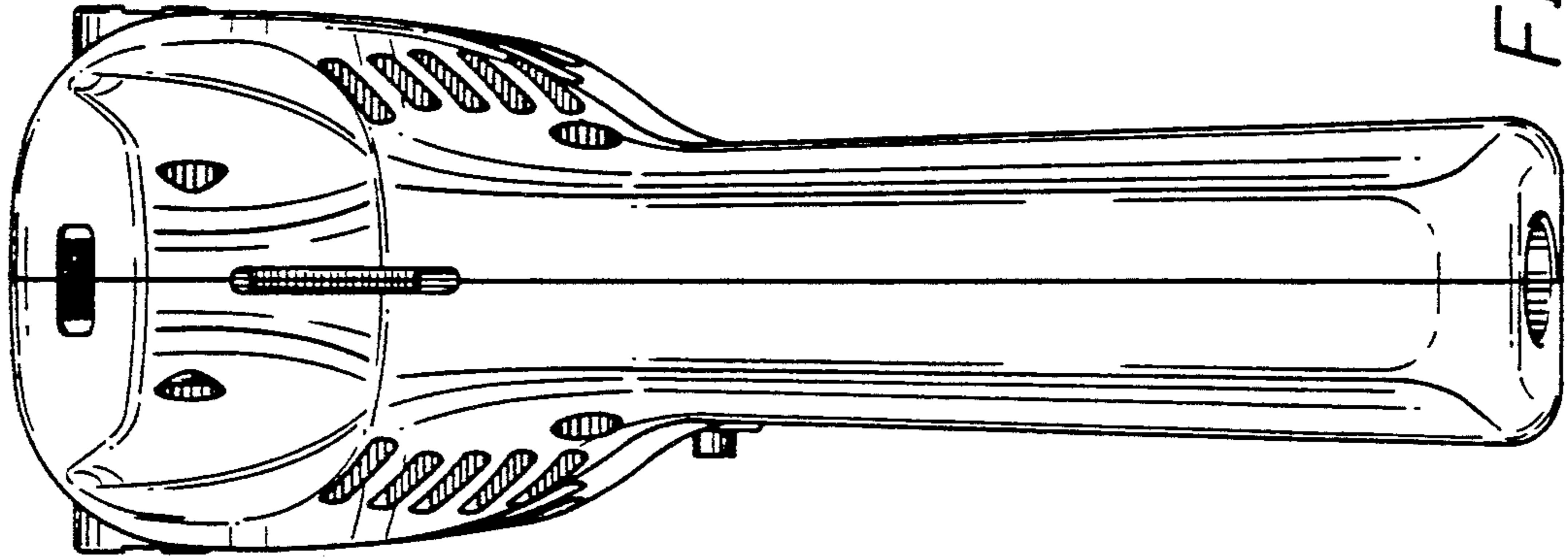


FIG. 5

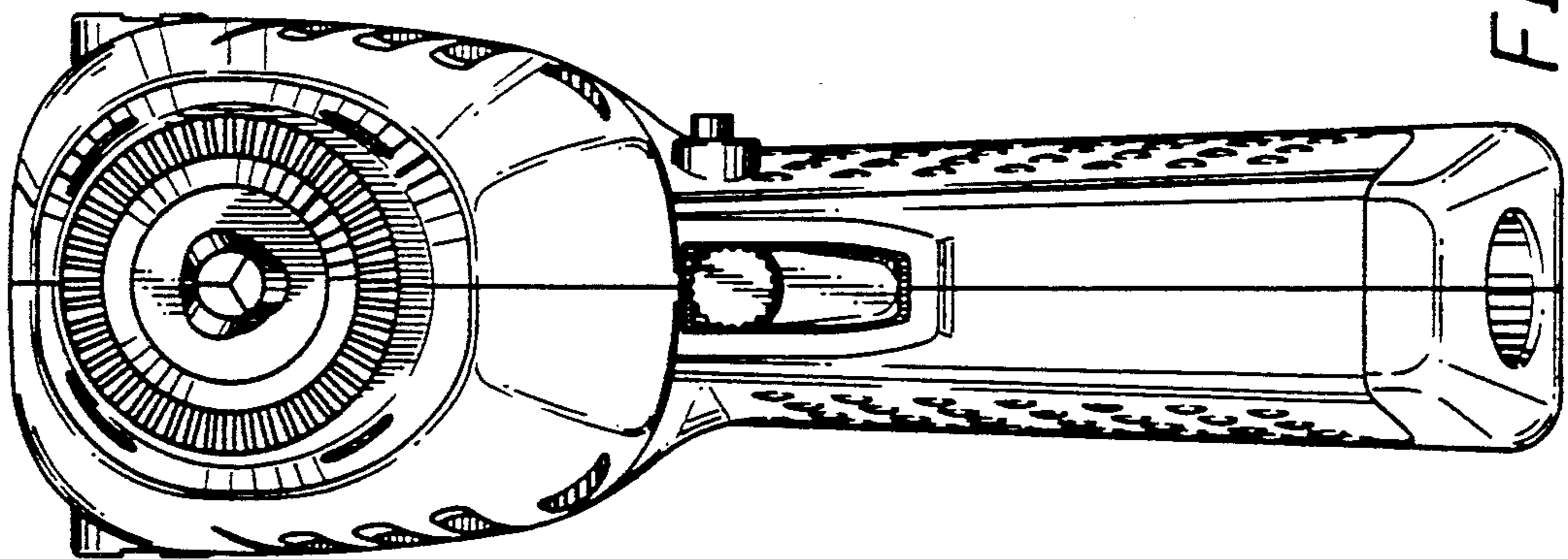


FIG. 4

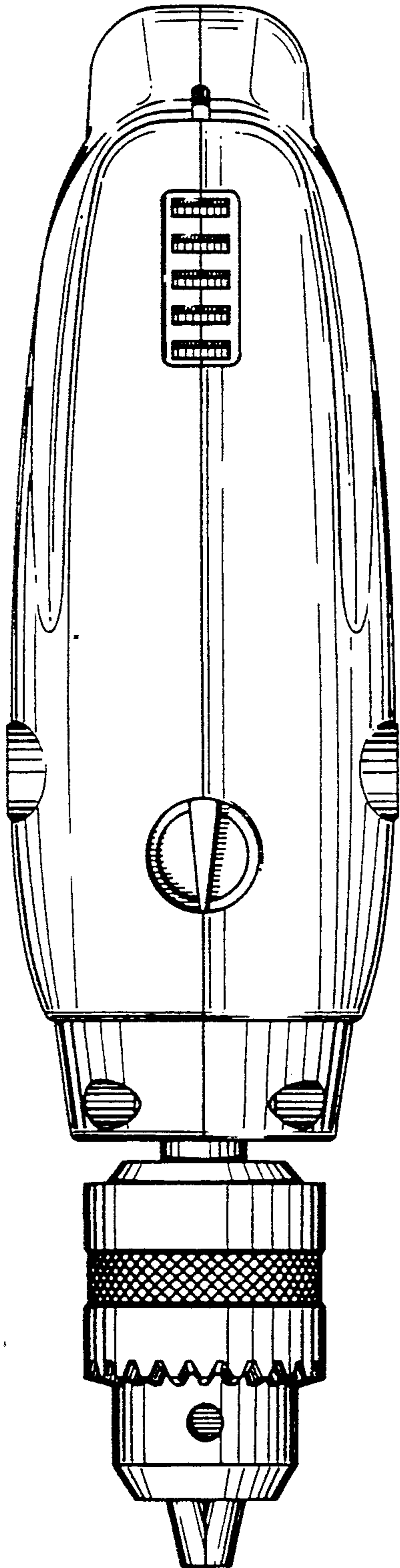


FIG. 6

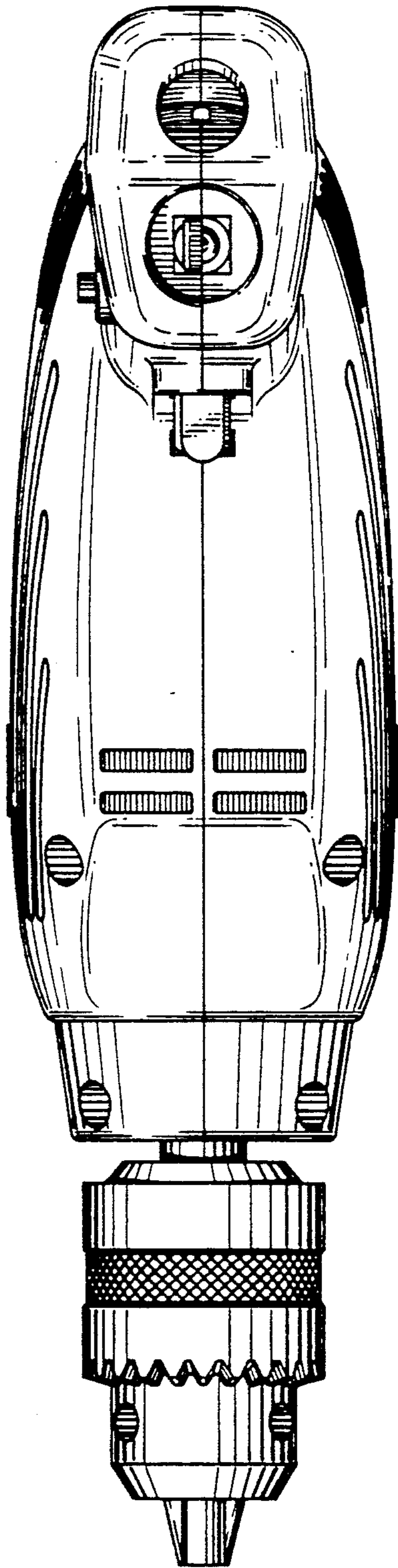


FIG. 7