



US00D326396S

# United States Patent [19]

[11] Patent Number: Des. 326,396

Owens

[45] Date of Patent: \*\* May 26, 1992

[54] COMBINED BULL FLOAT AND CONCRETE TAMPER

4,702,641 10/1987 Naser et al. .... 404/97  
4,723,869 2/1988 Dragich ..... 404/97

[76] Inventor: Joe M. Owens, 842 Lake Holiday Dr., Sandwich, Ill. 60548

### OTHER PUBLICATIONS

Goldblatt Tools, 1975, p. 11, Bull Floats.  
Goldblatt Tools, 1975, p. 14, Screeds.

[\*\*] Term: 14 Years

Primary Examiner—Bernard Ansher  
Assistant Examiner—Philip Hyder  
Attorney, Agent, or Firm—Lee, Mann, Smith,  
McWilliams, Sweeney & Ohlson

[21] Appl. No.: 301,278

[22] Filed: Jan. 25, 1989

[52] U.S. Cl. .... D8/45

[58] Field of Search ..... D8/45; 404/89, 97, 103,  
404/113, 117; 15/235.4, 235.6, 235.8

### [57] CLAIM

The ornamental design for a combined bull float and concrete tamper, as shown and described.

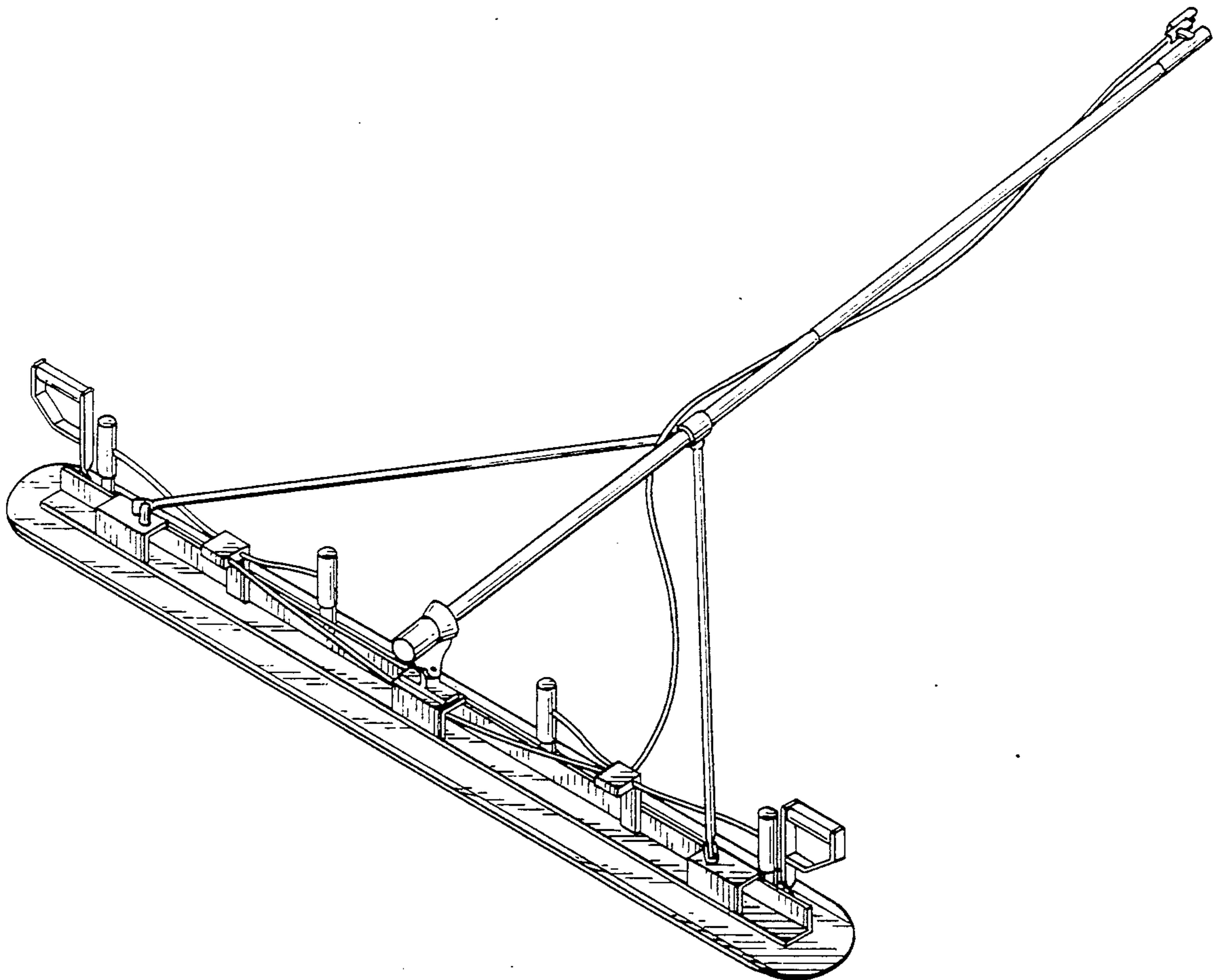
### [56] References Cited

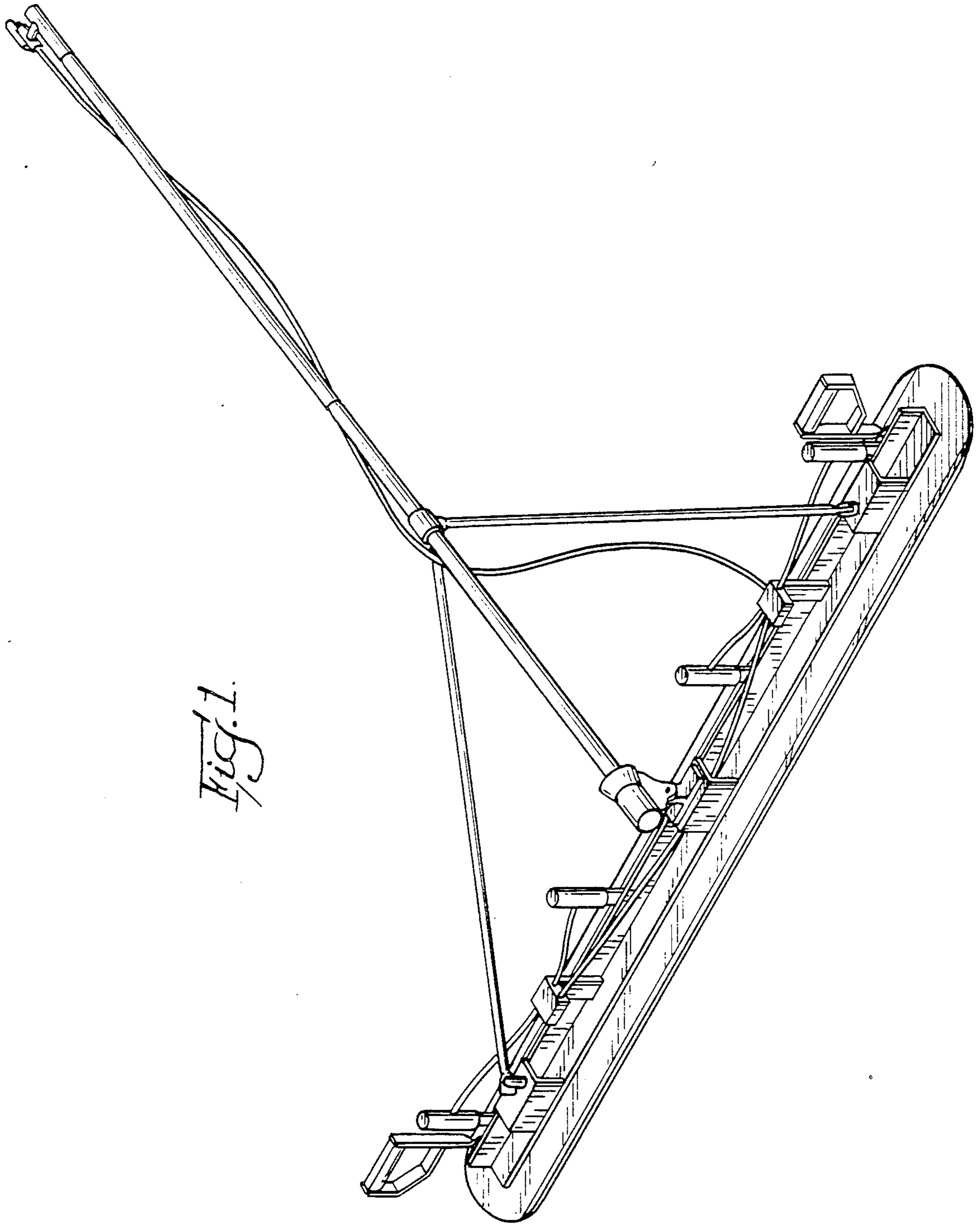
#### U.S. PATENT DOCUMENTS

D. 282,622	2/1986	Bobo .....	D8/14
2,018,890	10/1935	Heltzel .....	404/97
3,082,460	3/1963	Haivala .....	15/235.4
3,798,701	3/1974	Irwin et al. ....	404/97
3,936,210	2/1976	Oehlerking .....	404/89
4,397,581	8/1983	Jarvis .....	404/97
4,431,336	2/1984	Nightengale et al. ....	404/97

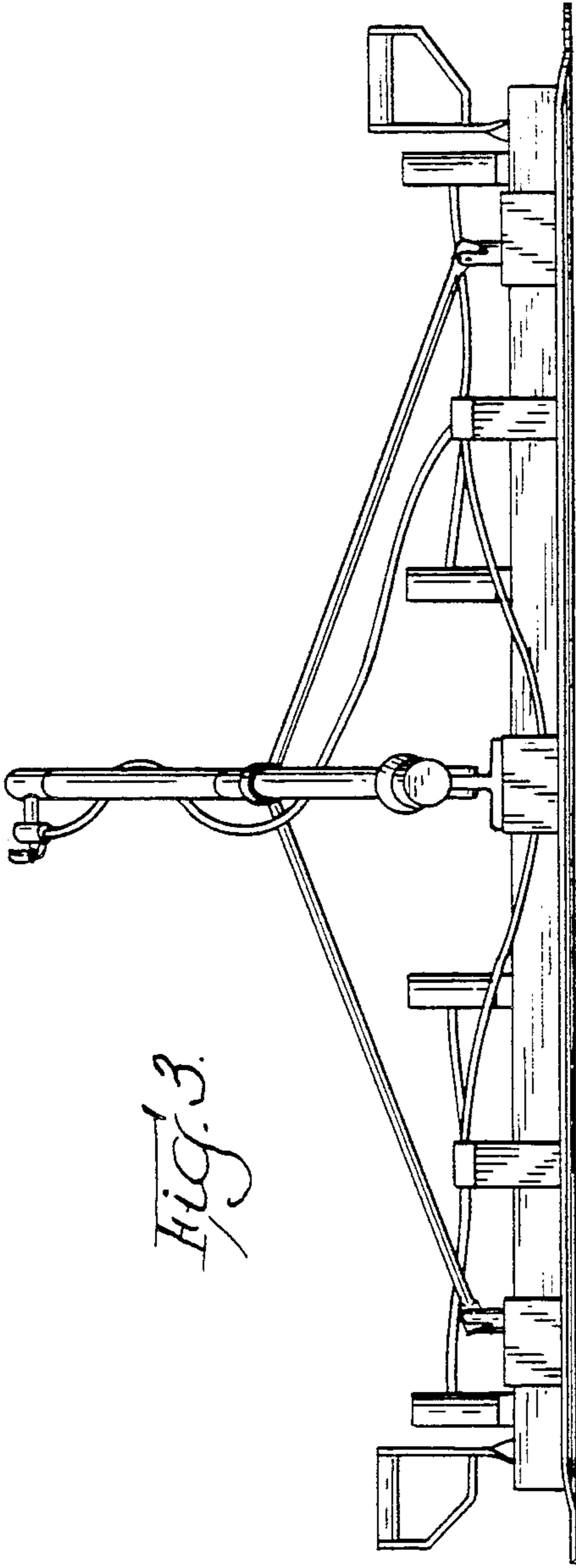
### DESCRIPTION

FIG. 1 is a perspective view of a combined bull float and concrete tamper showing my new design;  
FIG. 2 is a side elevational view thereof;  
FIG. 3 is a front elevational view thereof;  
FIG. 4 is a rear elevational view thereof;  
FIG. 5 is a top plan view thereof; and,  
FIG. 6 is a bottom plan view thereof.

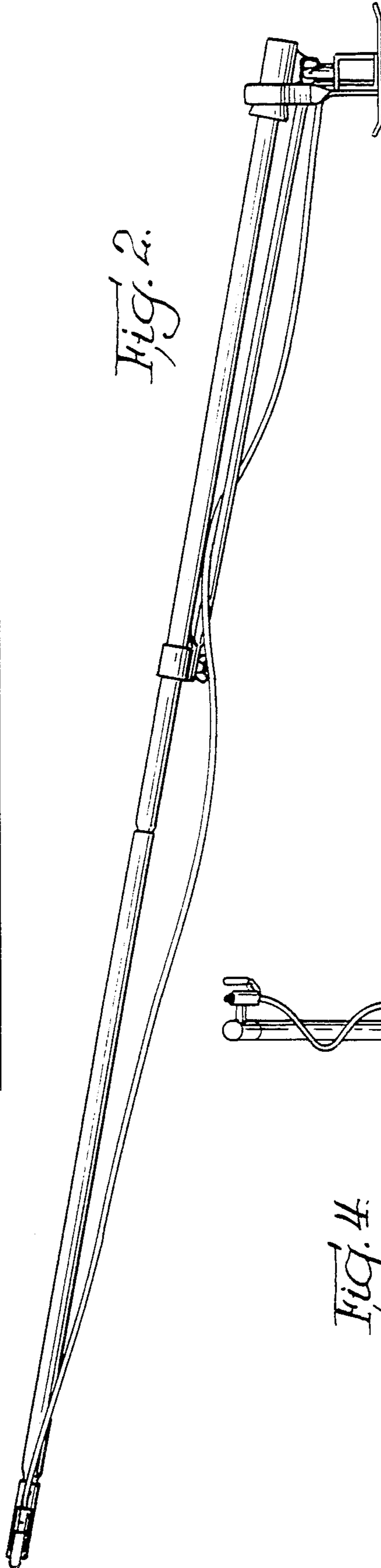




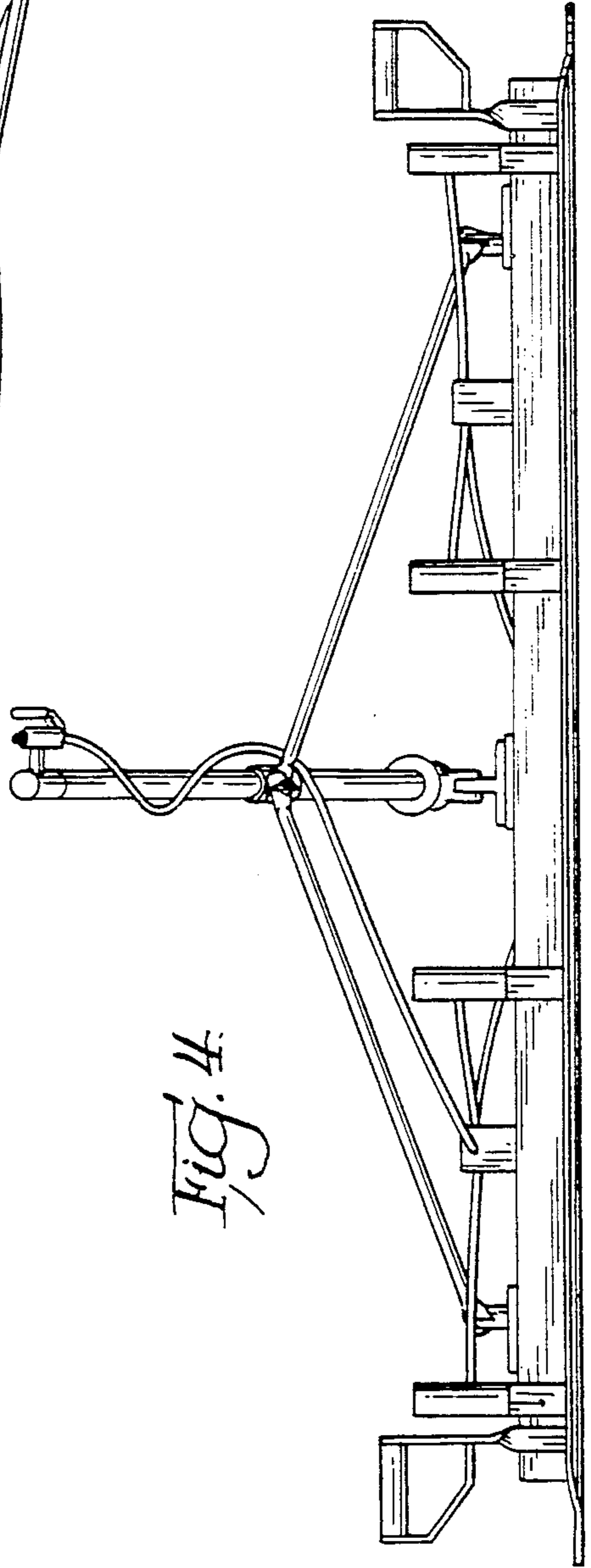
*Fig. 1.*



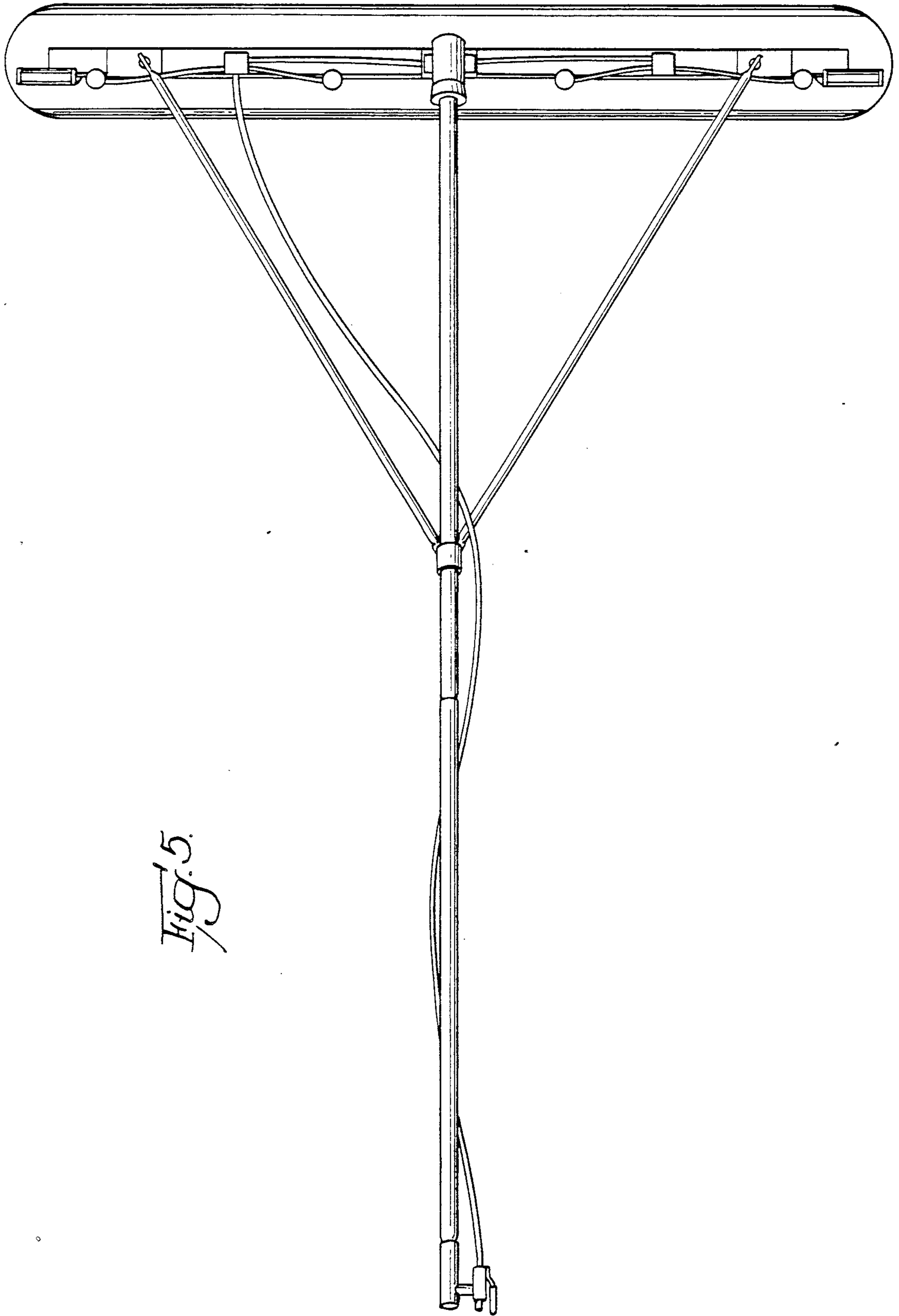
*Fig. 3.*



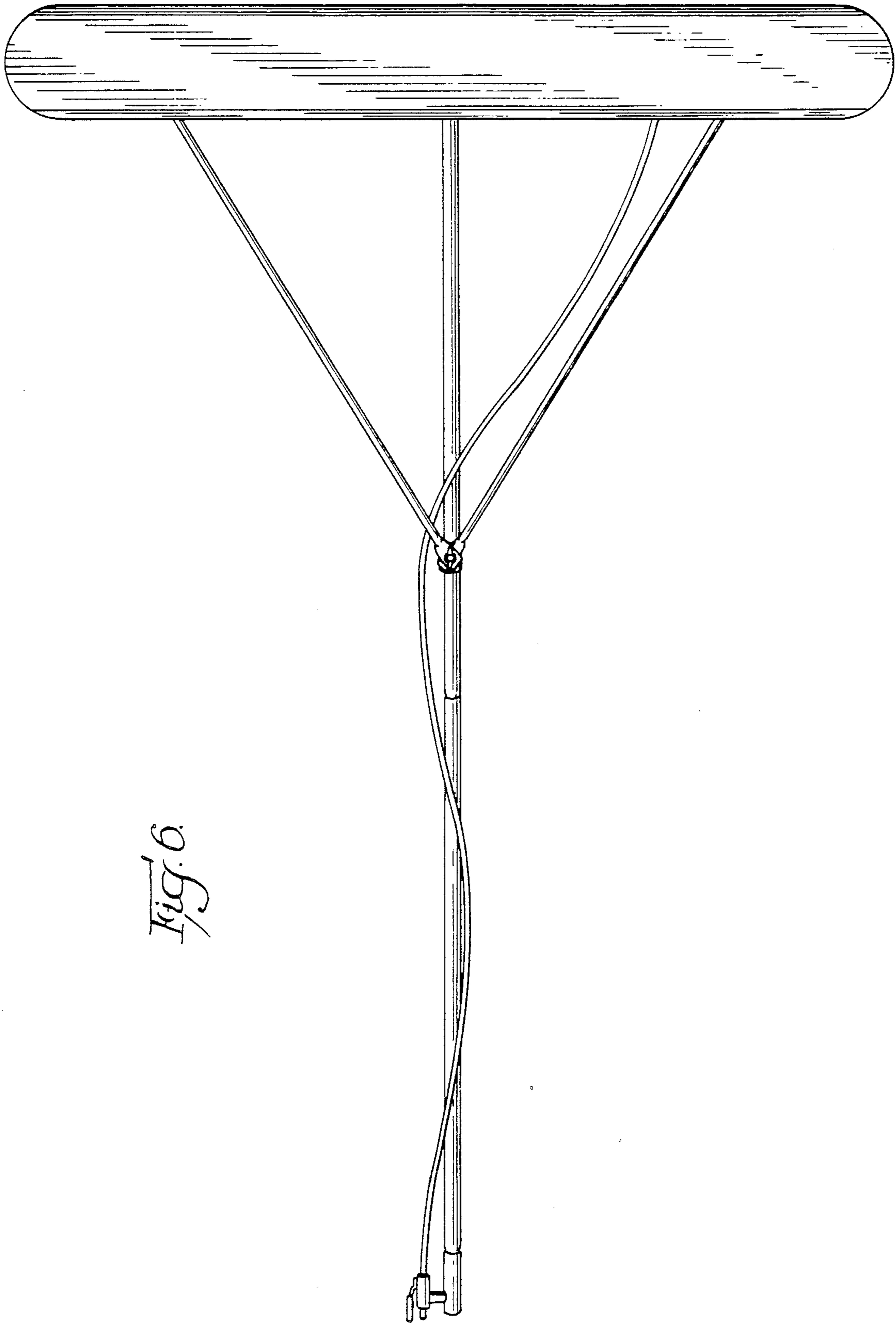
*Fig. 2.*



*Fig. 4.*



*Fig. 5.*



*Fig. 6.*