



US00D326392S

United States Patent [19]

[11] Patent Number: **Des. 326,392**

Mondry et al.

[45] Date of Patent: **** May 26, 1992**

[54] **HOLDER ASSEMBLY FOR BEVERAGE DISPENSERS AND CUPS**

[56] **References Cited**

U.S. PATENT DOCUMENTS

D. 286,109	10/1986	Cosby et al.	D6/516
D. 306,546	3/1990	Coy	D7/605
4,681,219	7/1987	Kitchens	206/372 X
4,796,791	1/1989	Goss et al.	206/562 X

[76] Inventors: **Victor A. Mondry**, 5409 Esther Beach Rd., Madison, Wis. 53713;
David V. Dipiazza-Pearson, 6110 Winnequah Rd., Madison, Wis. 53716

Primary Examiner—Terry A. Pfeffer
Attorney, Agent, or Firm—Foley & Lardner

[**] Term: **14 Years**

[57] CLAIM

The ornamental design for holder assembly for beverage dispensers and cups, as shown and described.

[21] Appl. No.: **488,765**

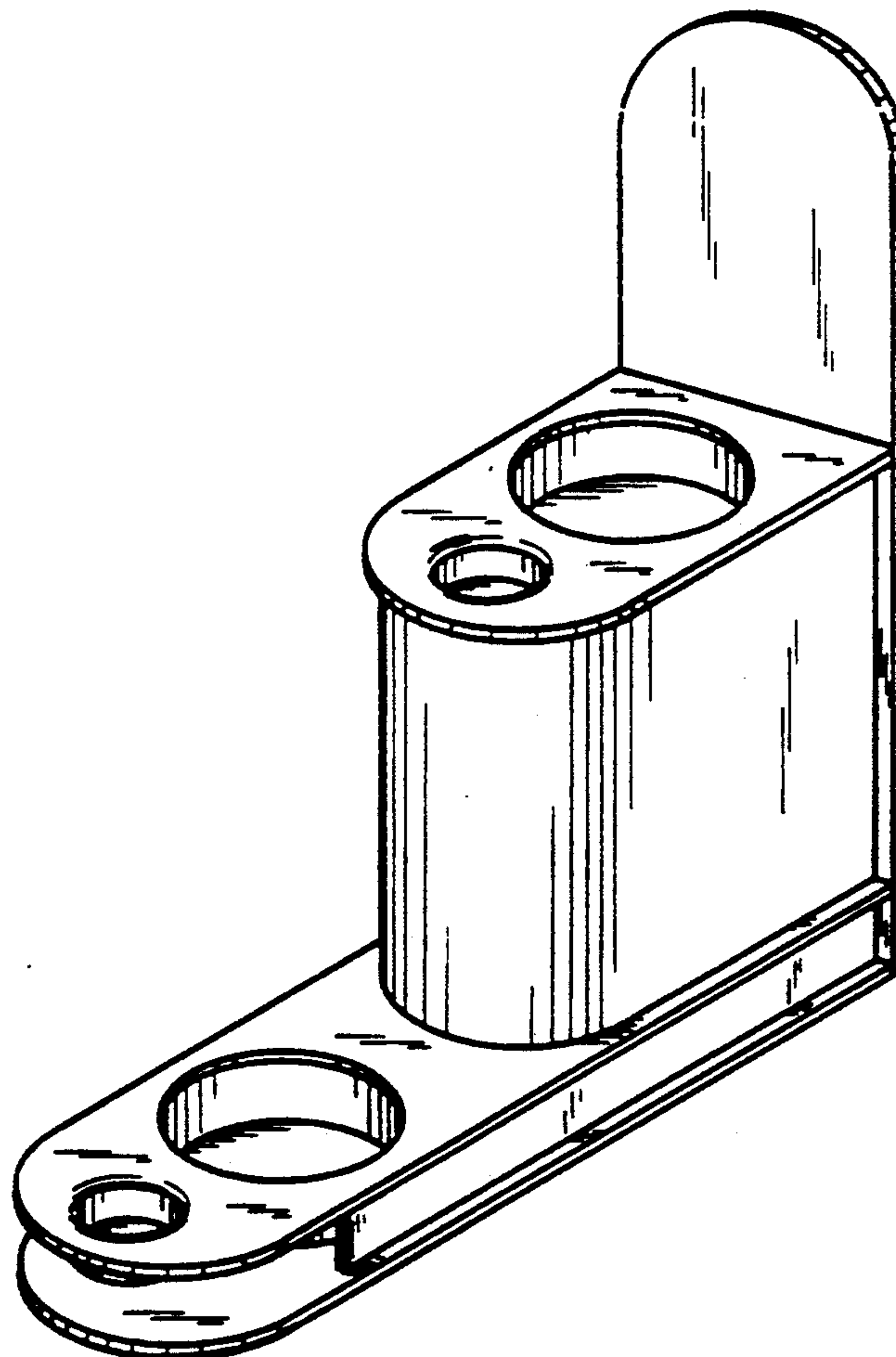
DESCRIPTION

[22] Filed: **Mar. 5, 1990**

[52] U.S. Cl. **D7/616**

[58] Field of Search **D7/616-625;**
206/139, 562, 372; 211/71, 74, 75, 88; 220/85
H; 248/311.2; D6/515, 516

FIG. 1 is a perspective view of a holder assembly for beverage dispensers and cups showing our new design; FIG. 2 is a right side elevational view thereof; FIG. 3 is a top plan view thereof; FIG. 4 is a bottom plan view thereof; FIG. 5 is a left side elevational view thereof; FIG. 6 is a front elevational view thereof; and, FIG. 7 is a rear elevational view thereof.



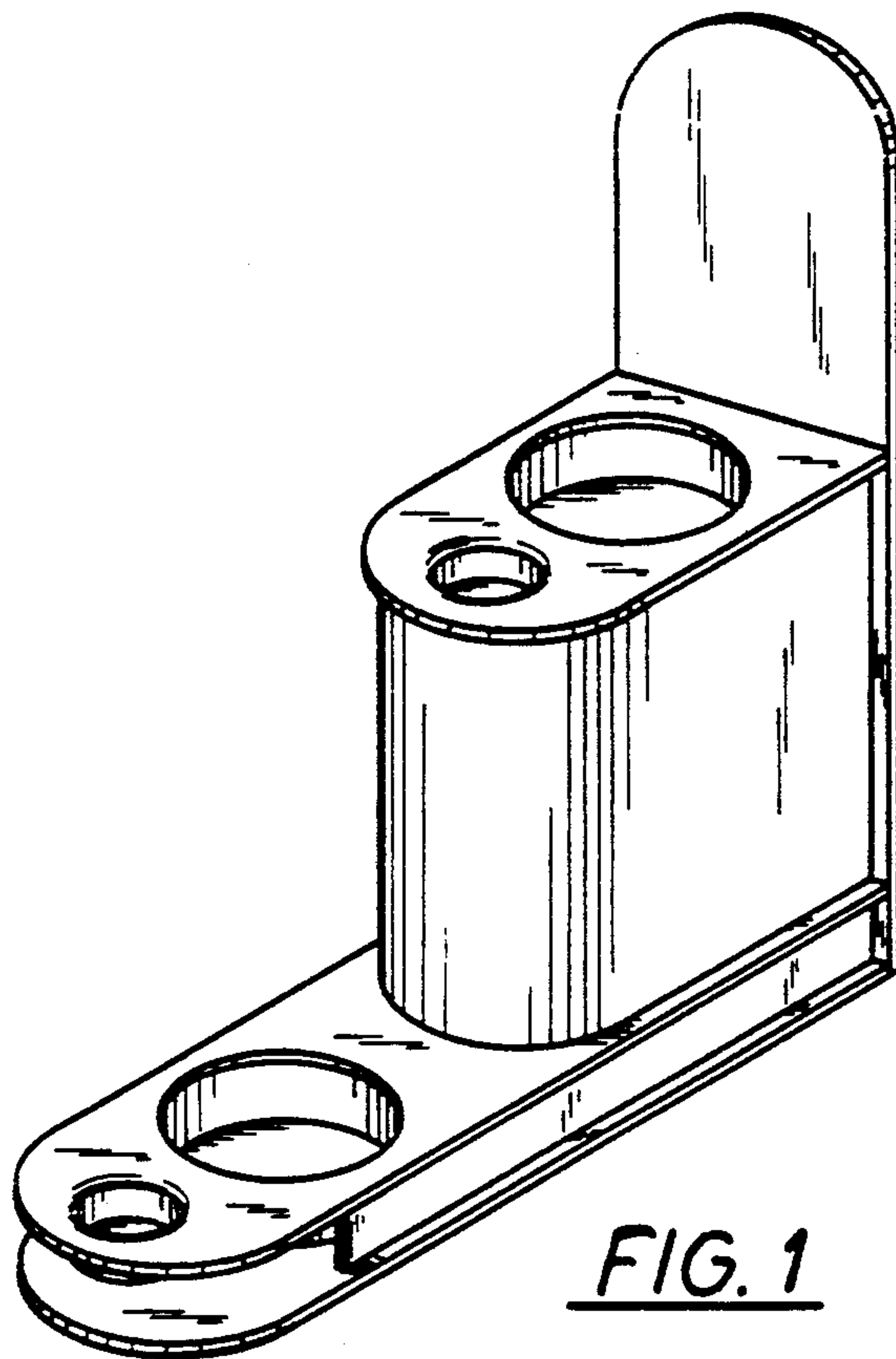


FIG. 1

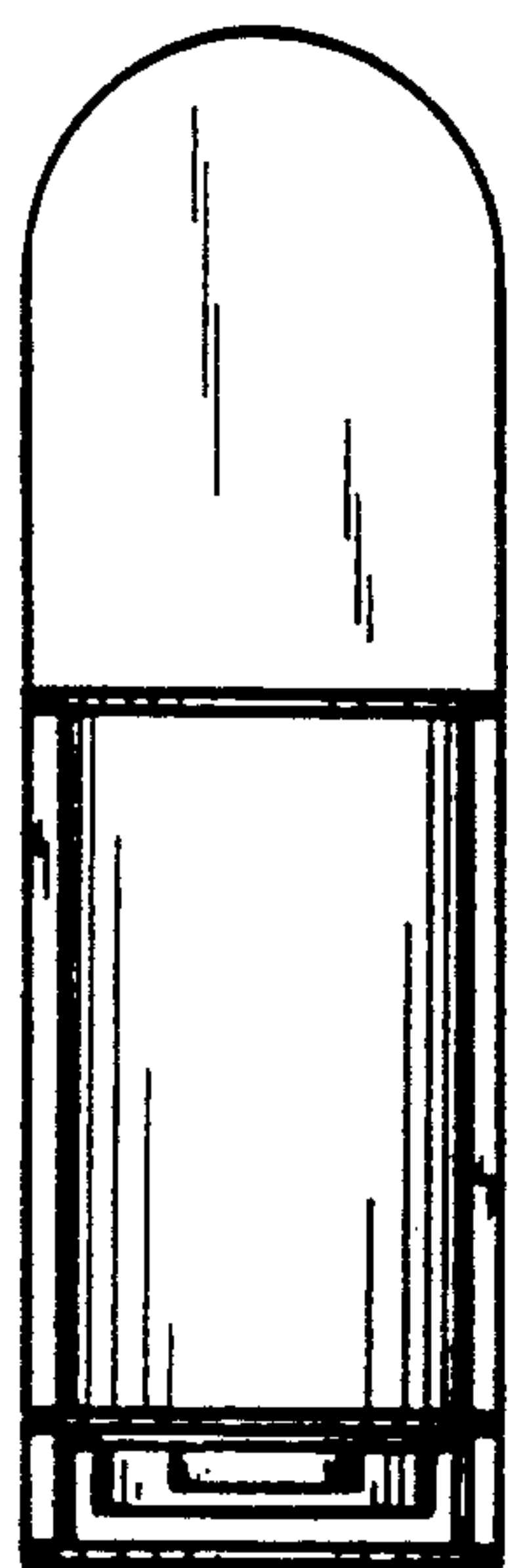


FIG. 6

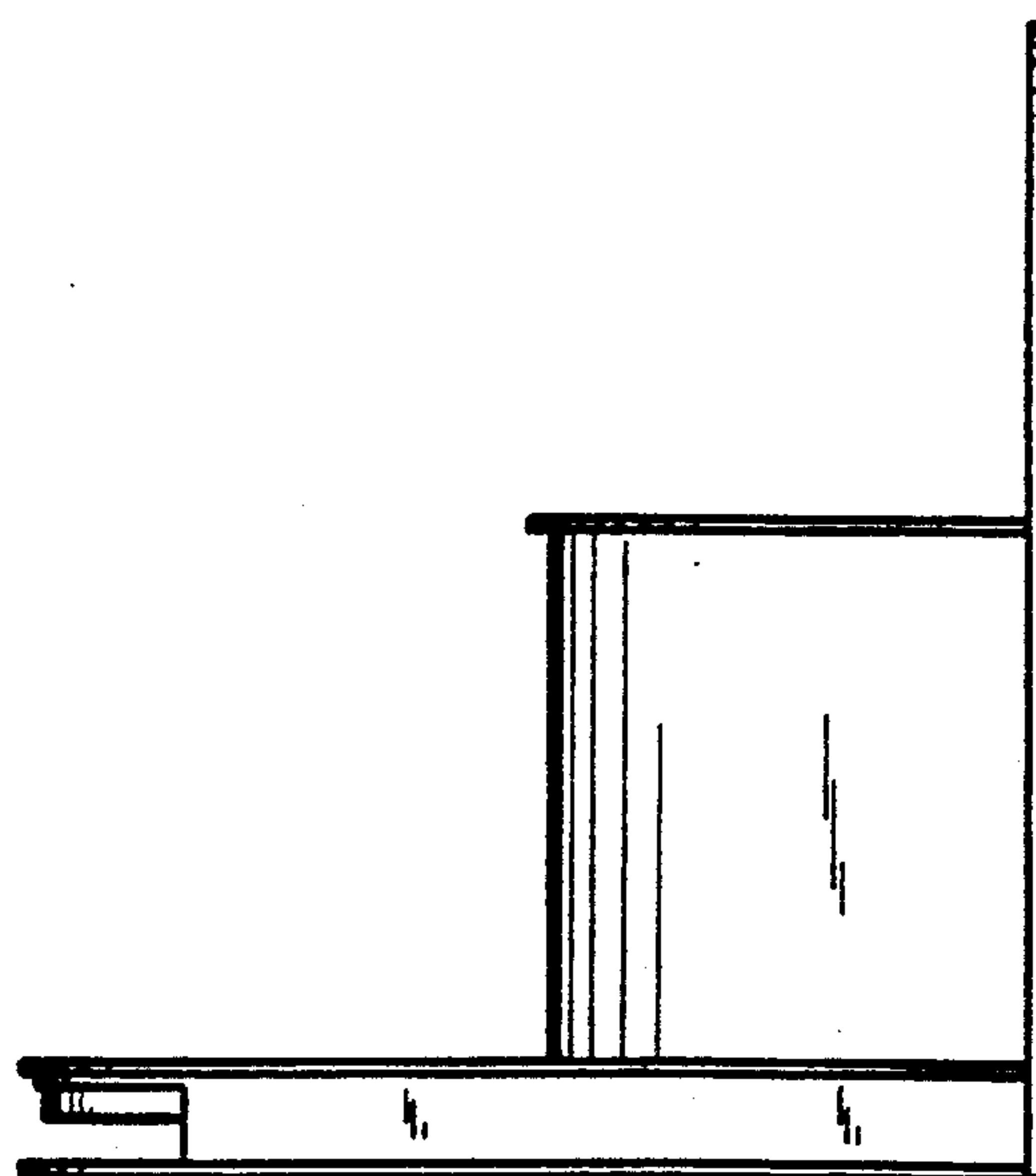


FIG. 2

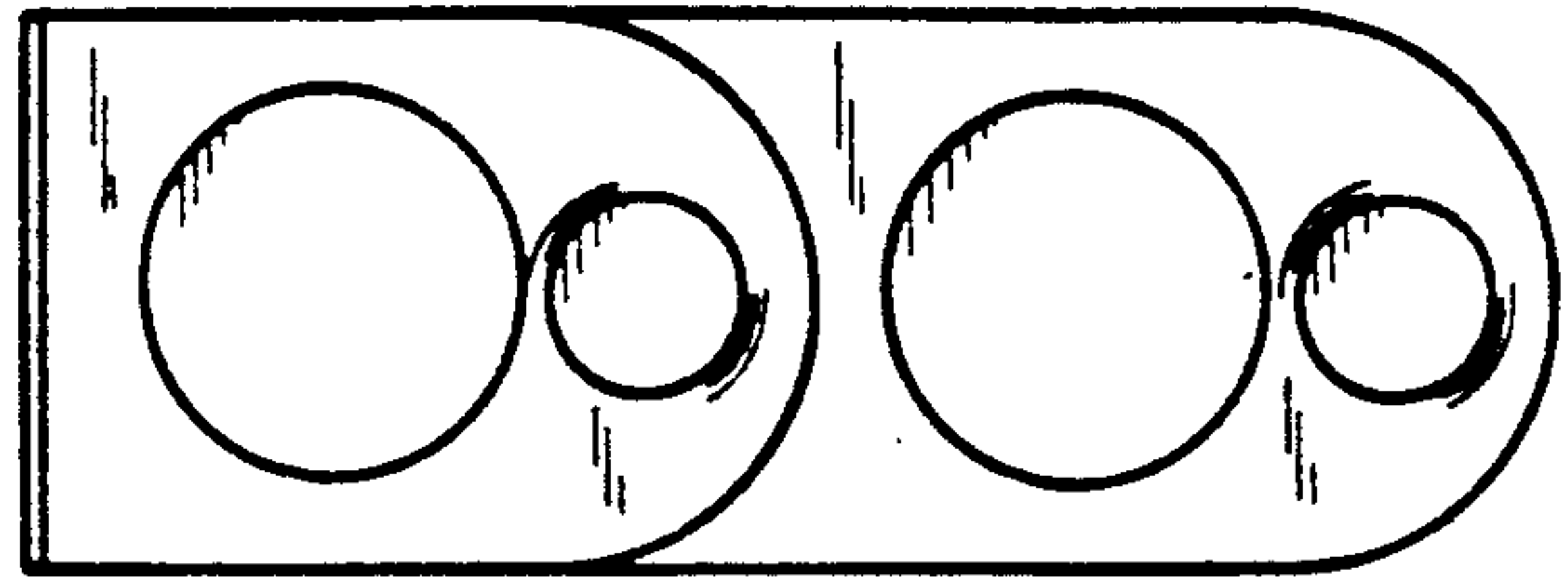


FIG. 3

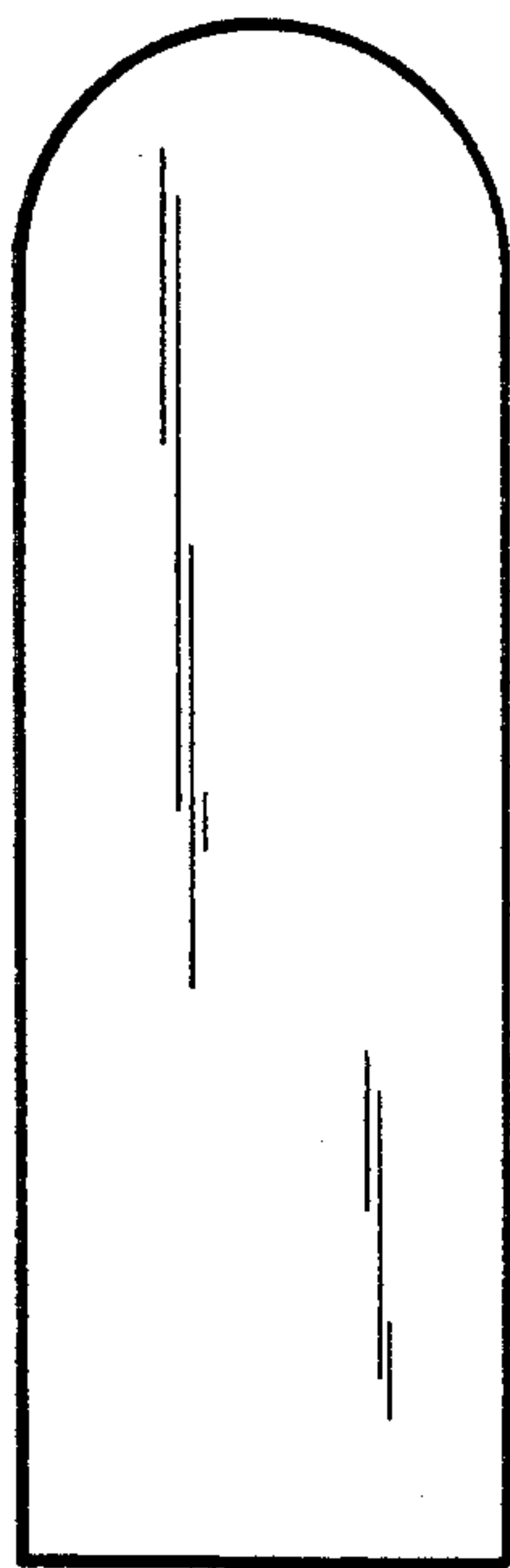


FIG. 7

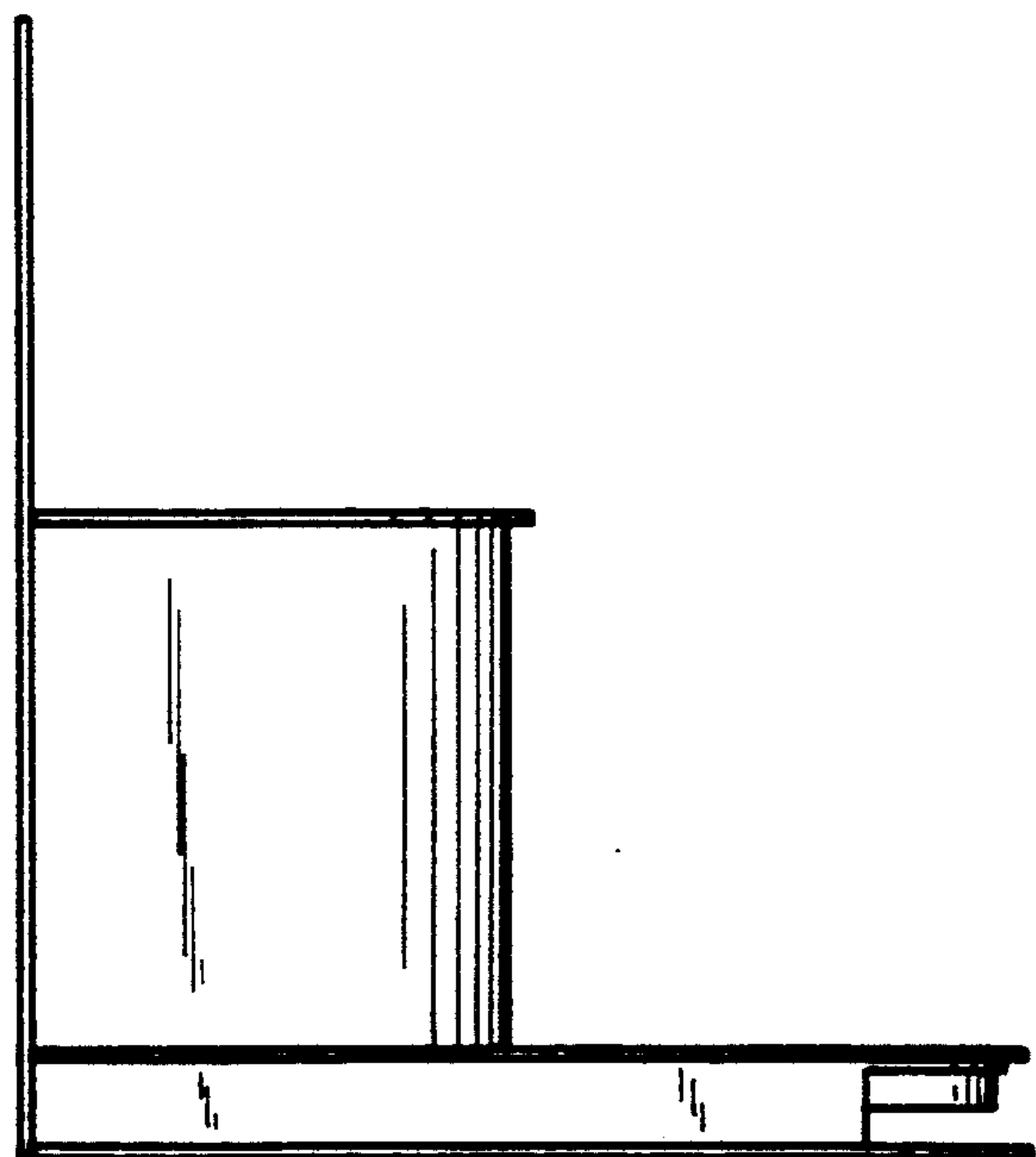


FIG. 5

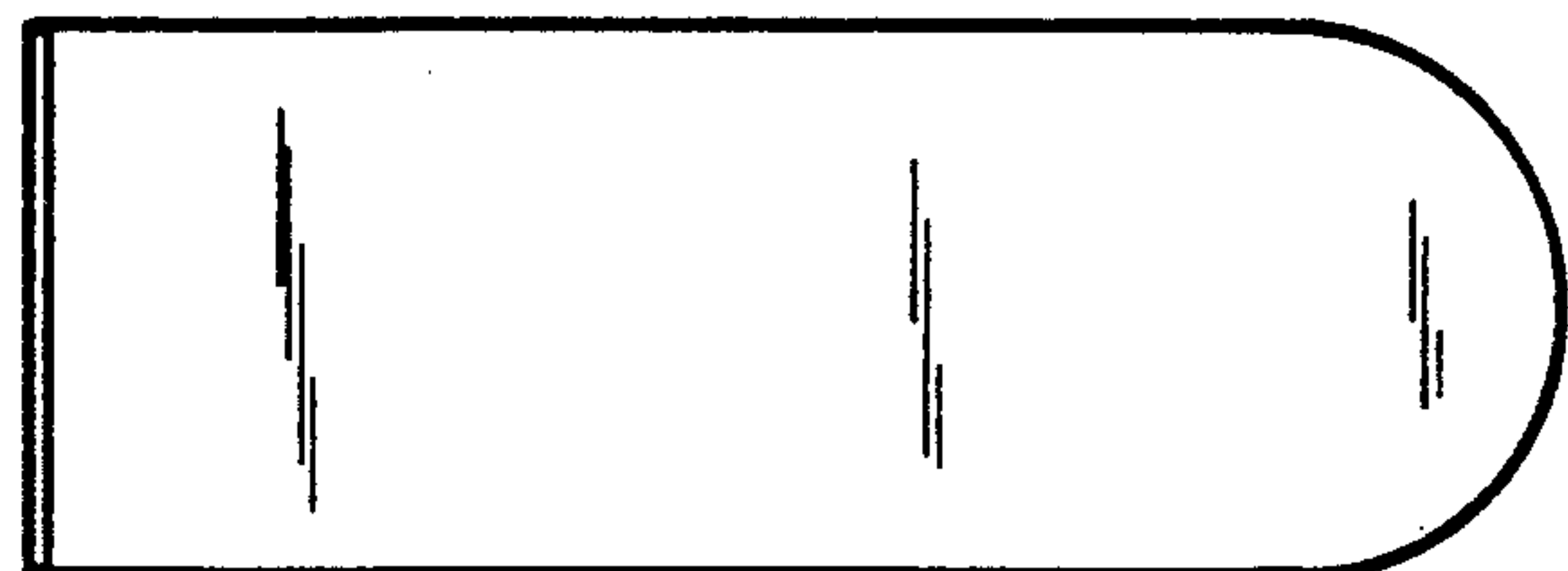


FIG. 4