



US00D326390S

United States Patent [19]

[11] Patent Number: Des. 326,390

Landel

[45] Date of Patent: ** May 26, 1992

[54] TACO HOLDER

OTHER PUBLICATIONS

[76] Inventor: Allen R. Landel, 811 Newport Green, Newport, R.I. 02840

Tableware Internat'l, p. 43, Aug. 1984, Taco Holder #6.

Primary Examiner—Terry A. Pfeffer
Attorney, Agent, or Firm—Robert J. Doherty

[**] Term: 14 Years

[57] CLAIM

[21] Appl. No.: 560,964

The ornamental design for a taco holder, as shown and described.

[22] Filed: Jul. 30, 1990

DESCRIPTION

[52] U.S. Cl. D7/504

[58] Field of Search D7/504; 99/426; 206/562-564; 211/10, 11, 13, 71

FIG. 1 is a front perspective view of a taco holder showing my new design;

FIG. 2 is a front elevational view thereof, the rear elevational view being the substantial mirror image thereof;

FIG. 3 is a left side elevational view thereof, the right side elevational view being the substantial mirror image thereof;

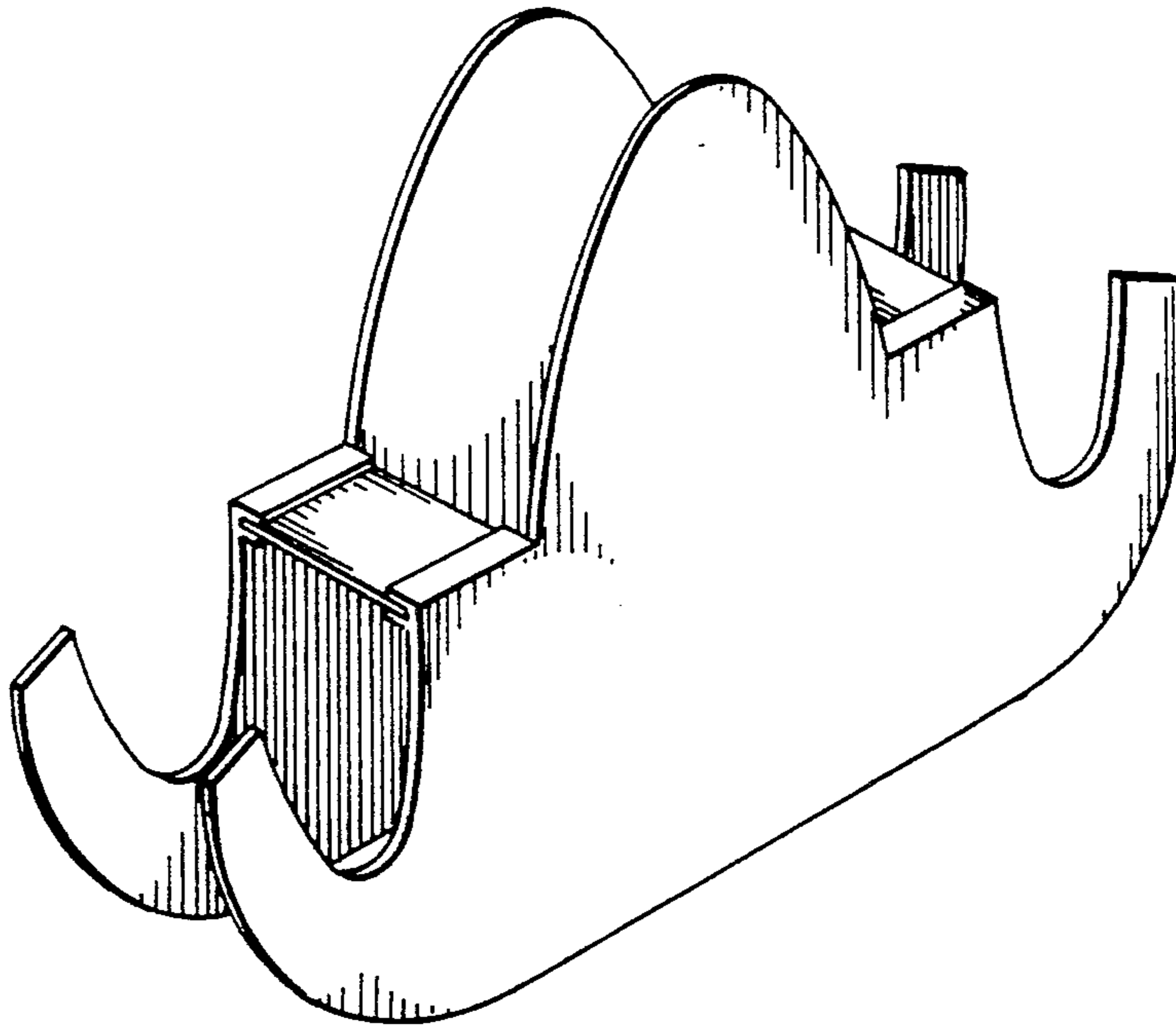
FIG. 4 is a top plan view thereof; and,

FIG. 5 is a bottom plan view thereof.

[56] References Cited

U.S. PATENT DOCUMENTS

4,270,660 6/1981 Putt D7/504 X



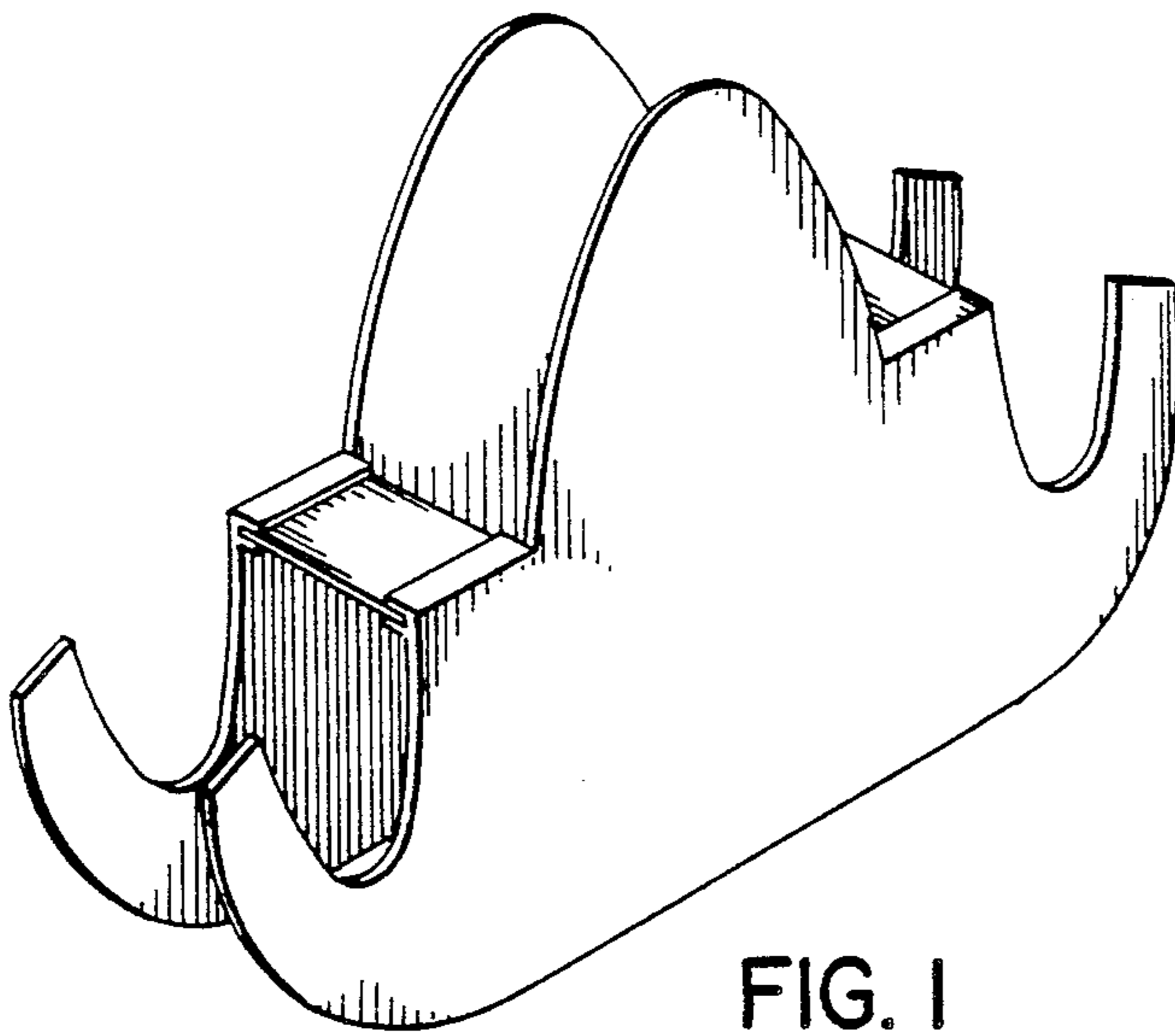


FIG. 1

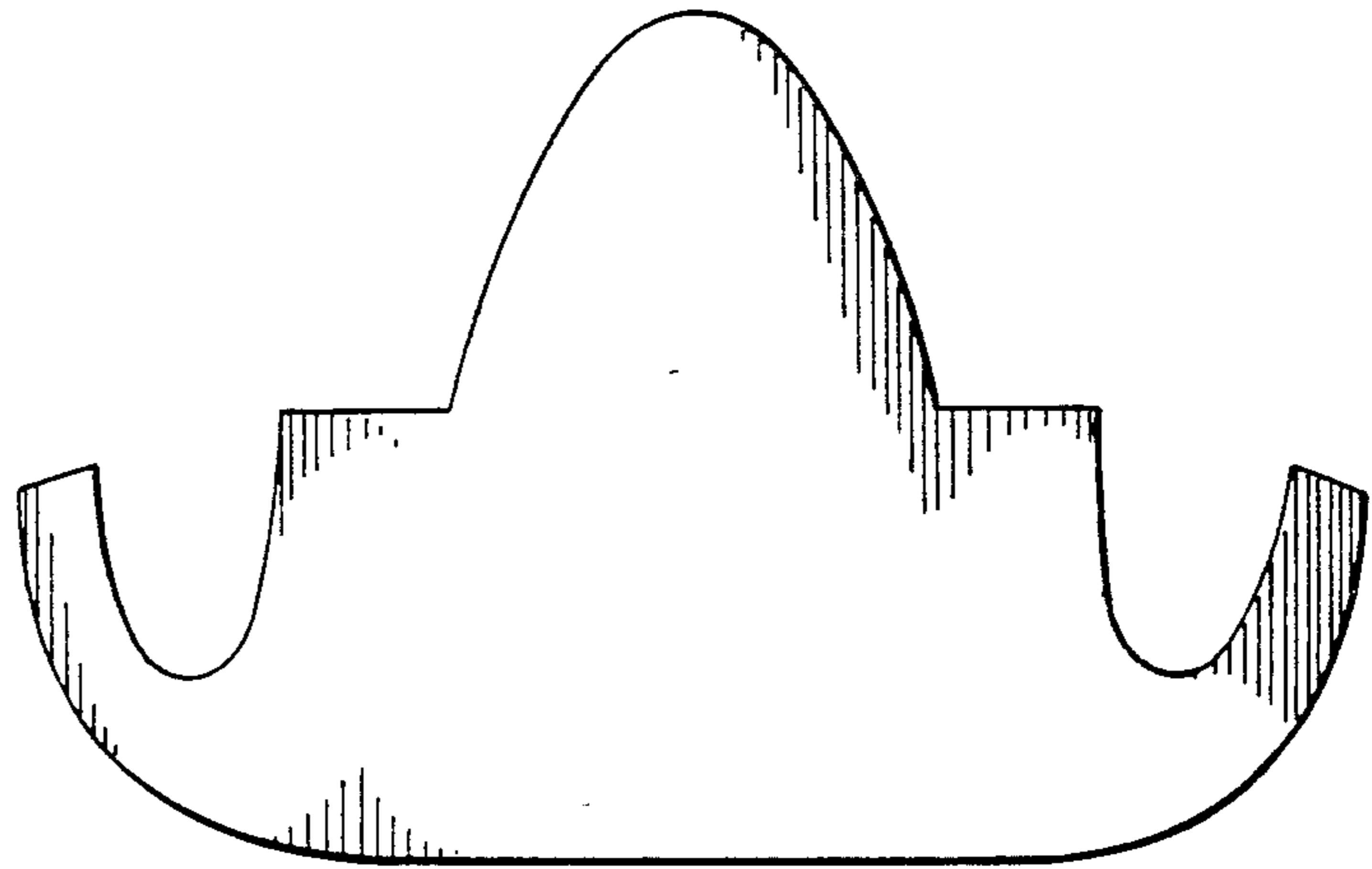


FIG. 2

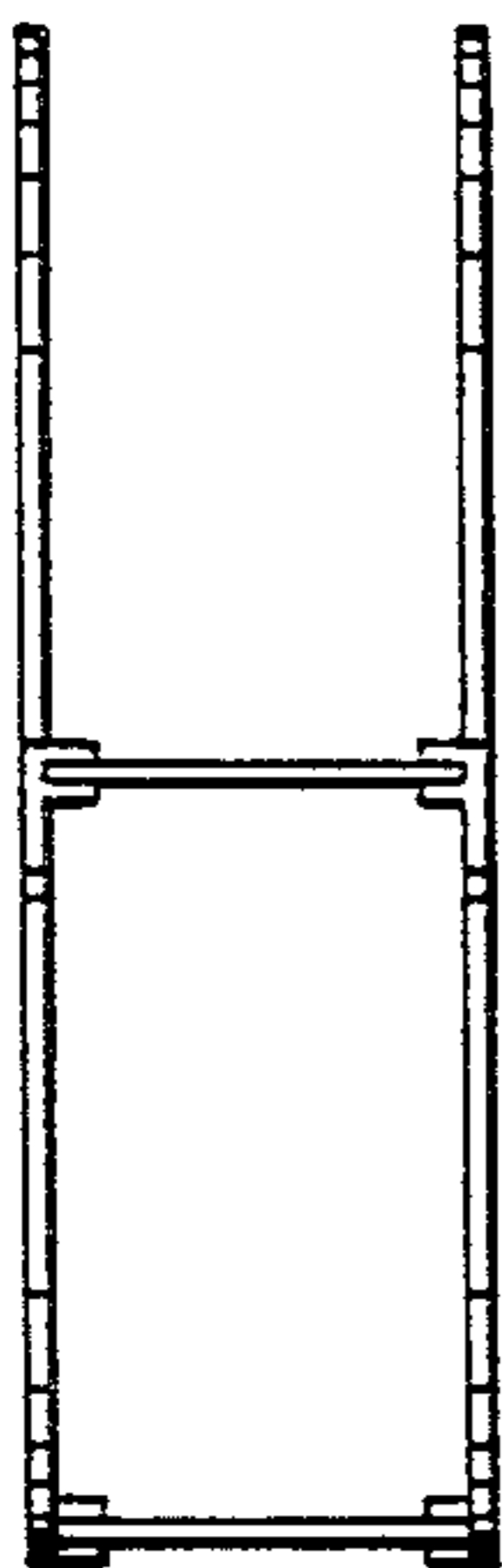


FIG. 3

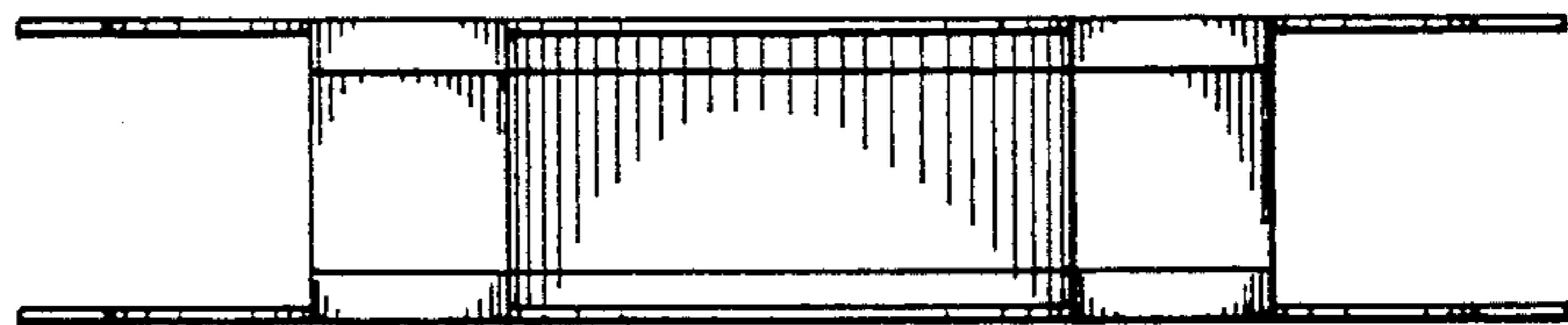


FIG. 4

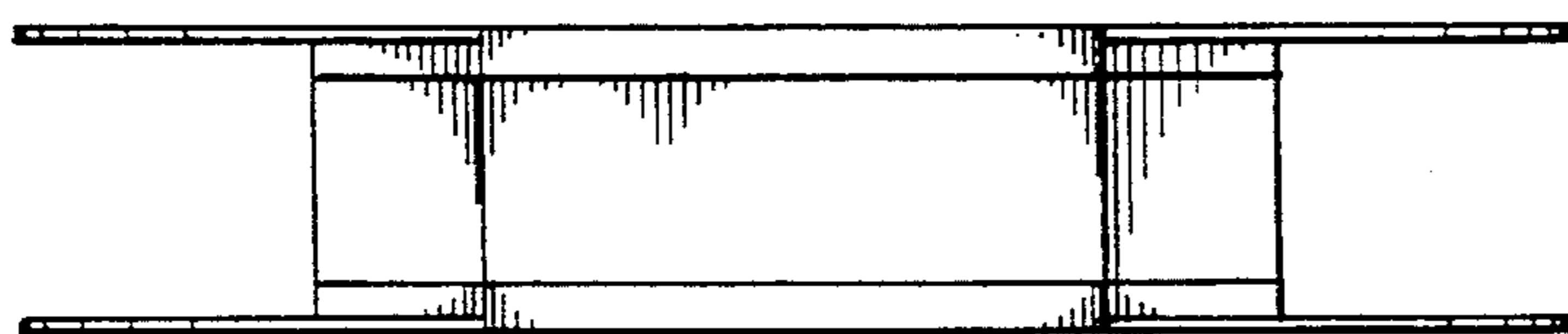


FIG. 5