



US00D326388S

# United States Patent [19]

[11] Patent Number: Des. 326,388

Boerner

[45] Date of Patent: \*\* May 26, 1992

## [54] FOOD SLICER

[75] Inventor: Alfred Boerner, Niederkail, Fed. Rep. of Germany

[73] Assignee: A. Boerner GmbH, Fed. Rep. of Germany

[\*\*] Term: 14 Years

[21] Appl. No.: 447,259

[22] Filed: Dec. 7, 1989

### [30] Foreign Application Priority Data

Jun. 7, 1989 [DE] Fed. Rep. of Germany ..... 8904005

[52] U.S. Cl. .... D7/381

[58] Field of Search ..... D7/673, 678, 381; 241/273.1, 273.4, 274, 168, 95

### [56] References Cited

#### U.S. PATENT DOCUMENTS

- D. 123,779 12/1940 Houser ..... D7/678
- D. 262,933 2/1982 Stoll ..... D7/678
- 1,915,869 6/1933 Rowley ..... D7/678 X

## OTHER PUBLICATIONS

Bloomington; Apr. 18, 1982; p. 22; #D grater/slicer, middle of page.

Hong Kong Enterprise; Oct. 1984; p. 9; #S318 bottom of page.

Kitchen Bazaar; p. 12; Mandoline Slicer, bottom of page.

Primary Examiner—Bruce W. Dunkins

Assistant Examiner—Caron D. Veynar

Attorney, Agent, or Firm—Hill, Van Santen, Steadman & Simpson

## [57] CLAIM

The ornamental design for a food slicer, as shown.

## DESCRIPTION

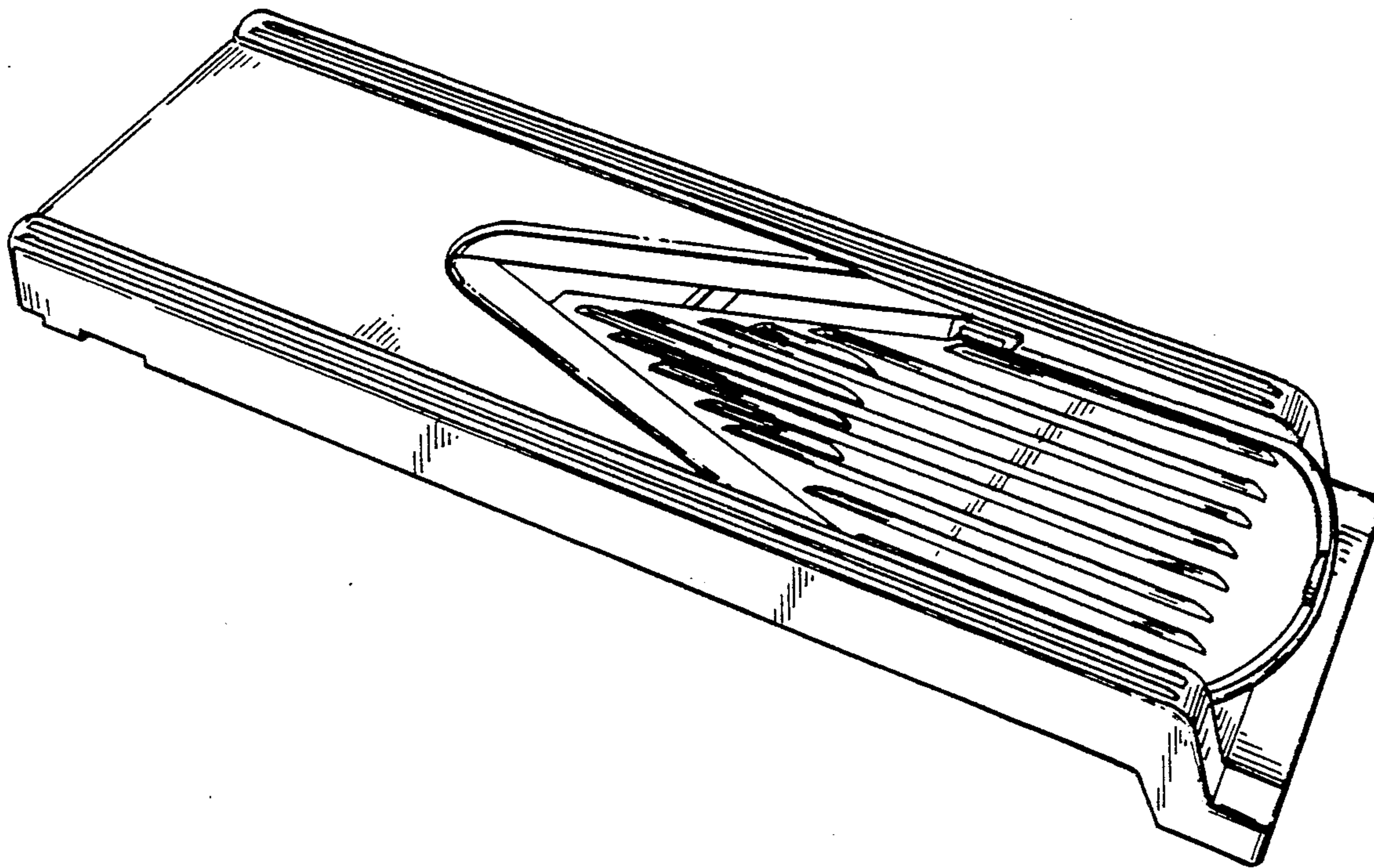
FIG. 1 is a front and top perspective view of a food slicer showing my new design;

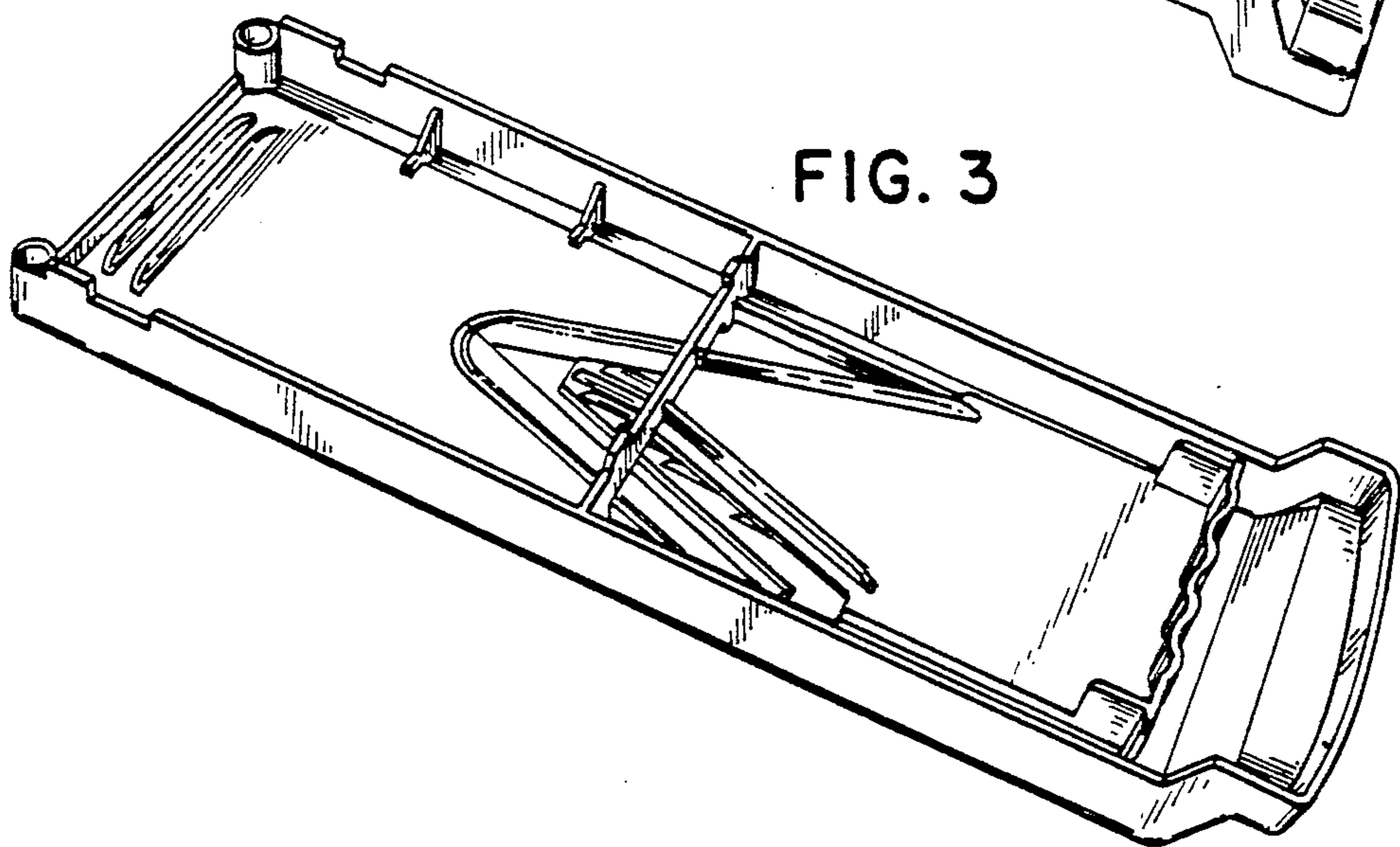
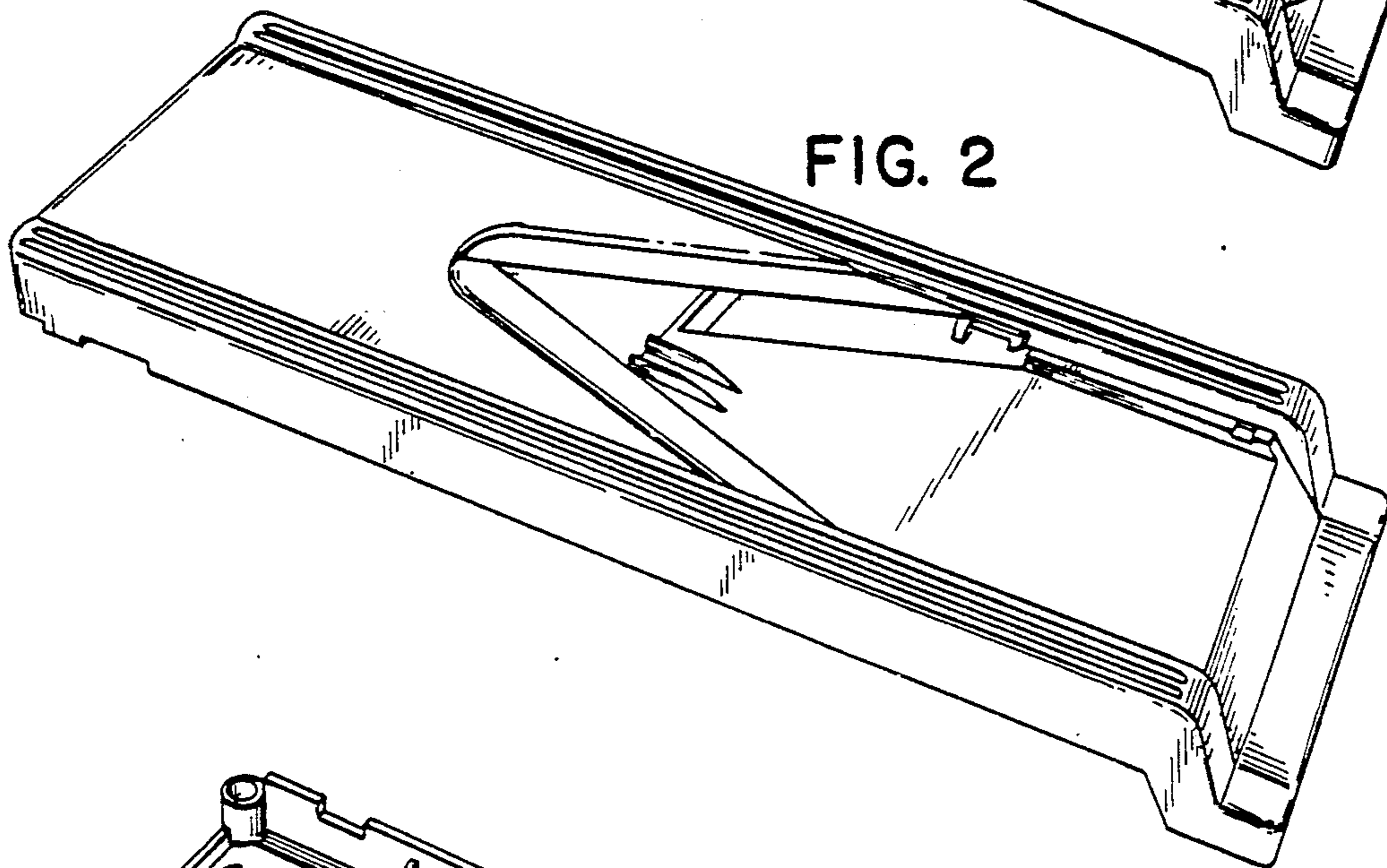
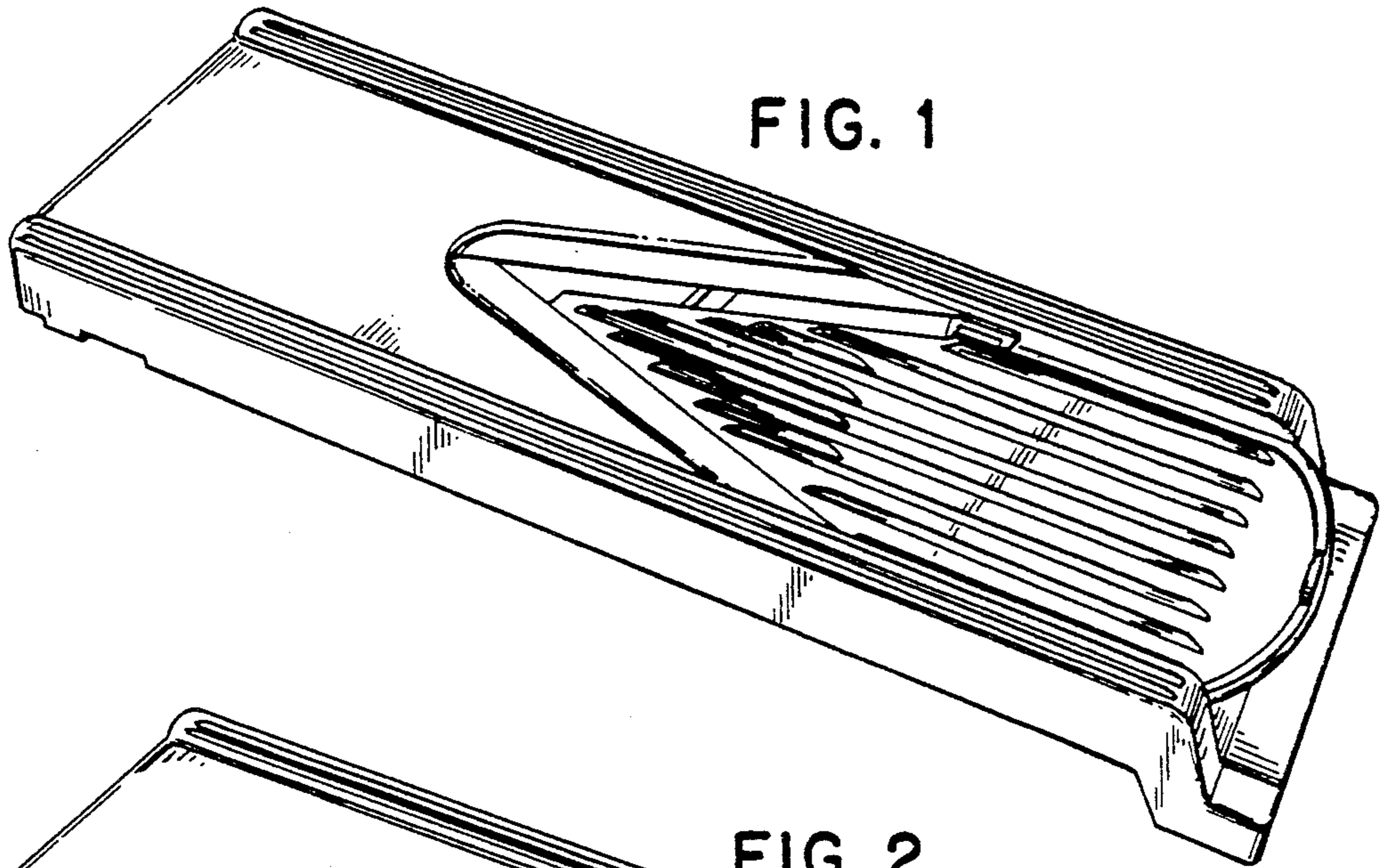
FIG. 2 is a front and top perspective view, with the blade removed for ease of illustration;

FIG. 3 is a rear and bottom perspective view;

FIG. 4 is a rear and bottom perspective view, with the blade removed for ease of illustration; and,

FIG. 5 is a top plan view of the blade removed for ease of illustration.





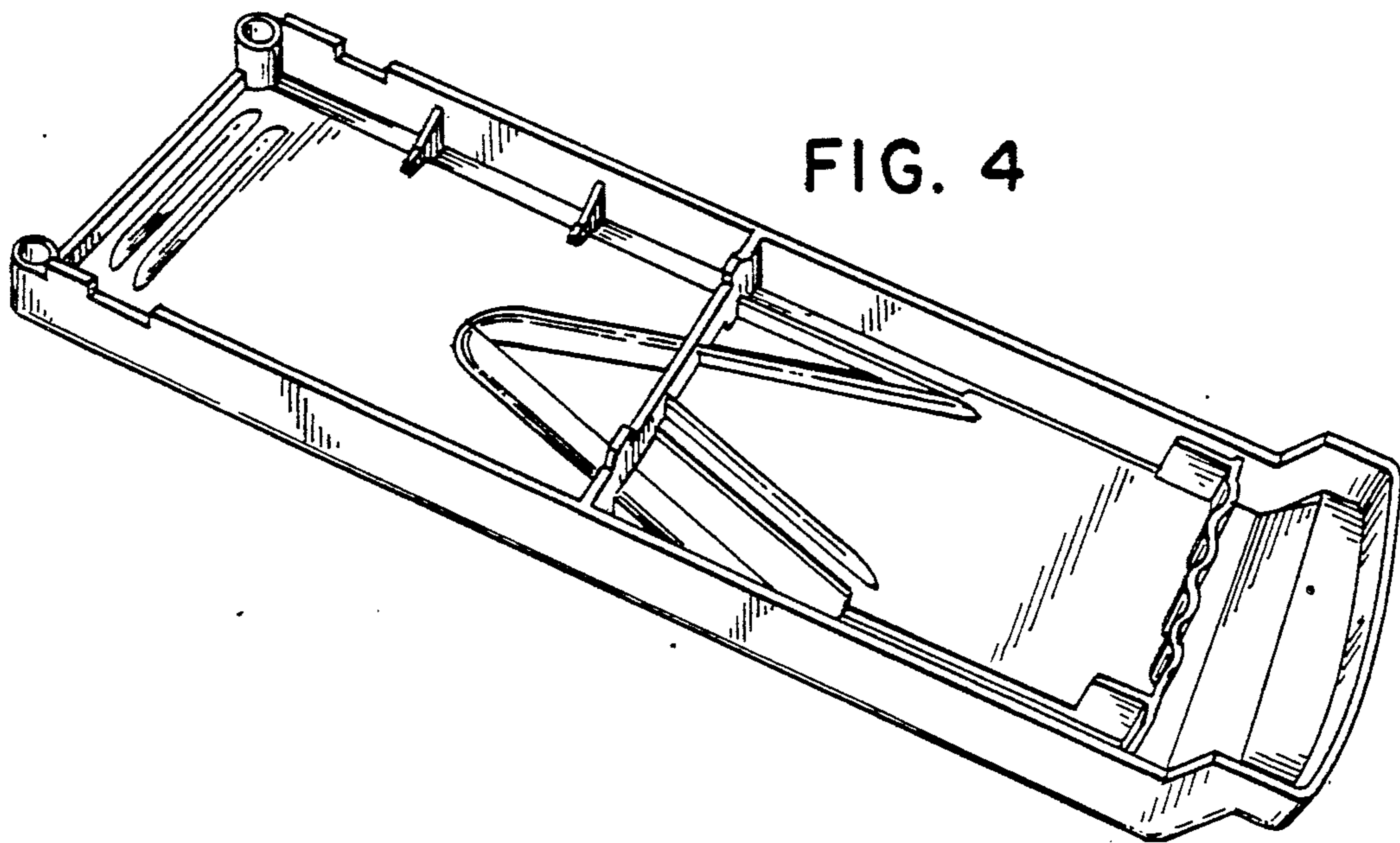


FIG. 5

