



US00D326379S

United States Patent [19]

[11] Patent Number: **Des. 326,379**

Gilbey

[45] Date of Patent: **** May 26, 1992**

[54] **MAGAZINE RACK**

[76] Inventor: **Mark T. Gilbey**, Flat 3, 17 Chelsham Road, London SW4 6MP, United Kingdom

[**] Term: **14 Years**

[21] Appl. No.: **483,948**

[22] Filed: **Feb. 23, 1990**

[52] U.S. Cl. **D6/475; D6/466; D6/495**

[58] Field of Search **D6/449, 466, 467, 462, D6/463, 473, 474, 475, 476, 475, 499; 211/13, 200, 60.1; D34/5, 6**

[56] **References Cited**

U.S. PATENT DOCUMENTS

Re. 3,710	11/1869	Stone .	
74,252	2/1868	Stone .	
D. 116,583	9/1939	Stavely	D6/475
D. 172,831	12/1953	Janis	D33/2
D. 195,388	6/1963	Brunner	D80/9
214,474	4/1879	Uren .	

D. 252,764	1/1982	Meyer	D6/181
D. 252,966	9/1979	Cohen et al.	D6/185
457,800	8/1891	Standish .	
1,961,241	6/1934	McKenney	46/11
2,415,784	2/1947	Block	211/200
2,706,829	4/1955	Charnin	211/200 X
3,915,309	10/1975	Brazdo	211/13
4,454,950	10/1984	Stefanelli	211/60.1

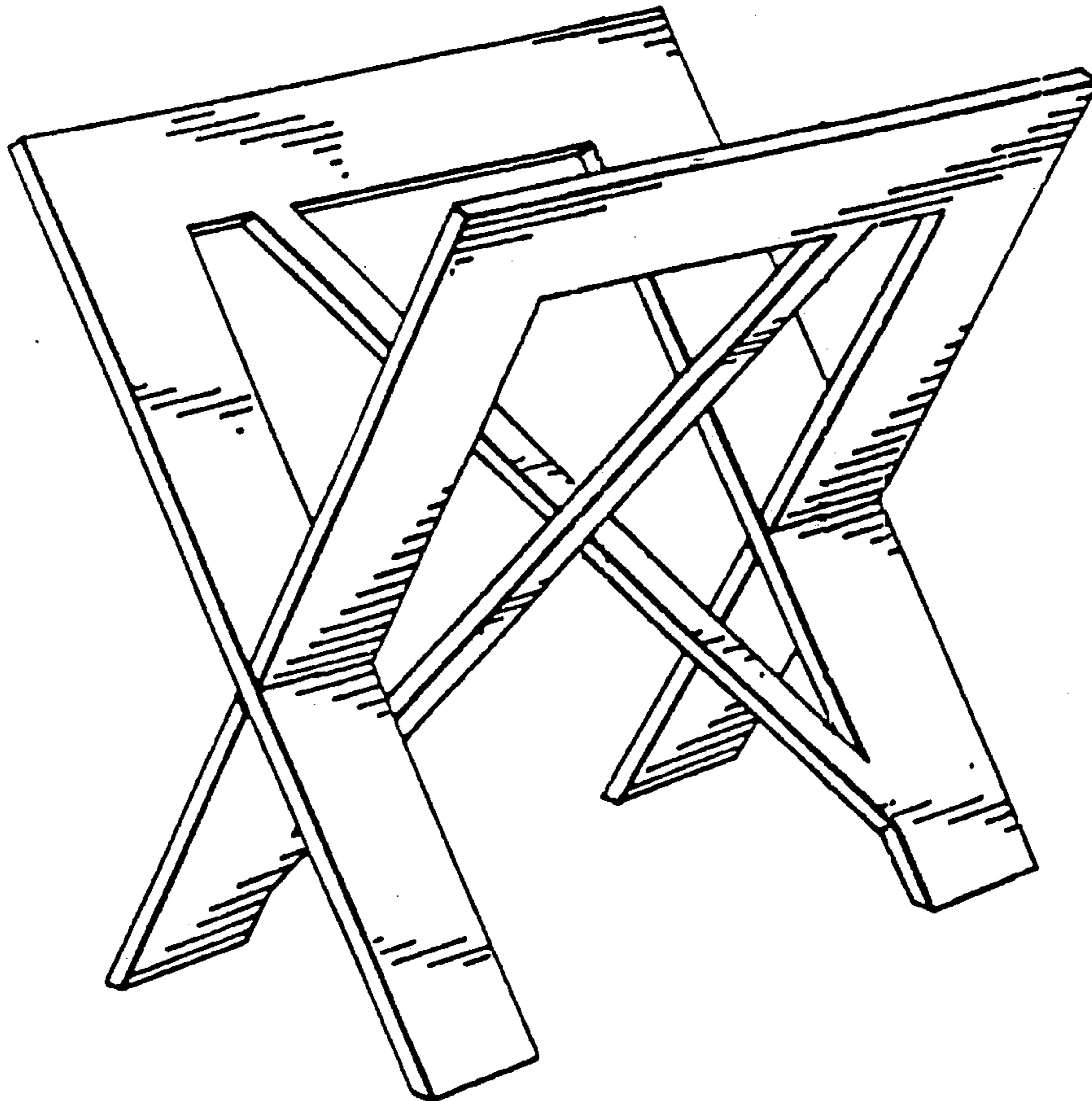
Primary Examiner—Donald P. Walsh
Assistant Examiner—Jeffrey Asch
Attorney, Agent, or Firm—Fish & Richardson

[57] CLAIM

The ornamental design for a magazine rack, as shown and described.

DESCRIPTION

FIG. 1 is a perspective view of a magazine rack showing my new design;
FIG. 2 is an end elevational view, the opposite end being a mirror image thereof;
FIG. 3 is a side elevational view, the opposite side being a mirror image thereof;
FIG. 4 is a bottom plan view; and,
FIG. 5 is an exploded perspective view thereof.



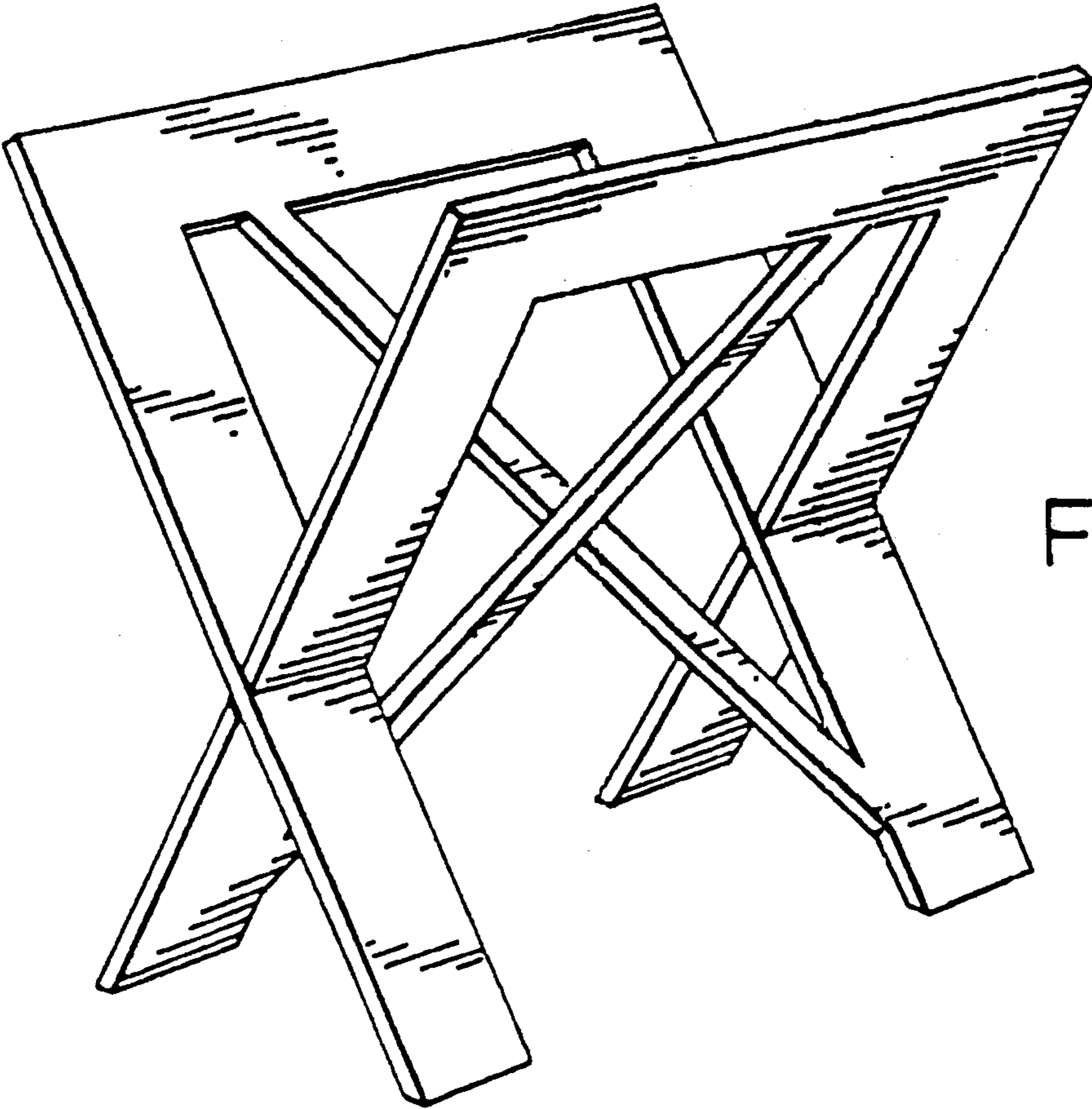


FIG.1.

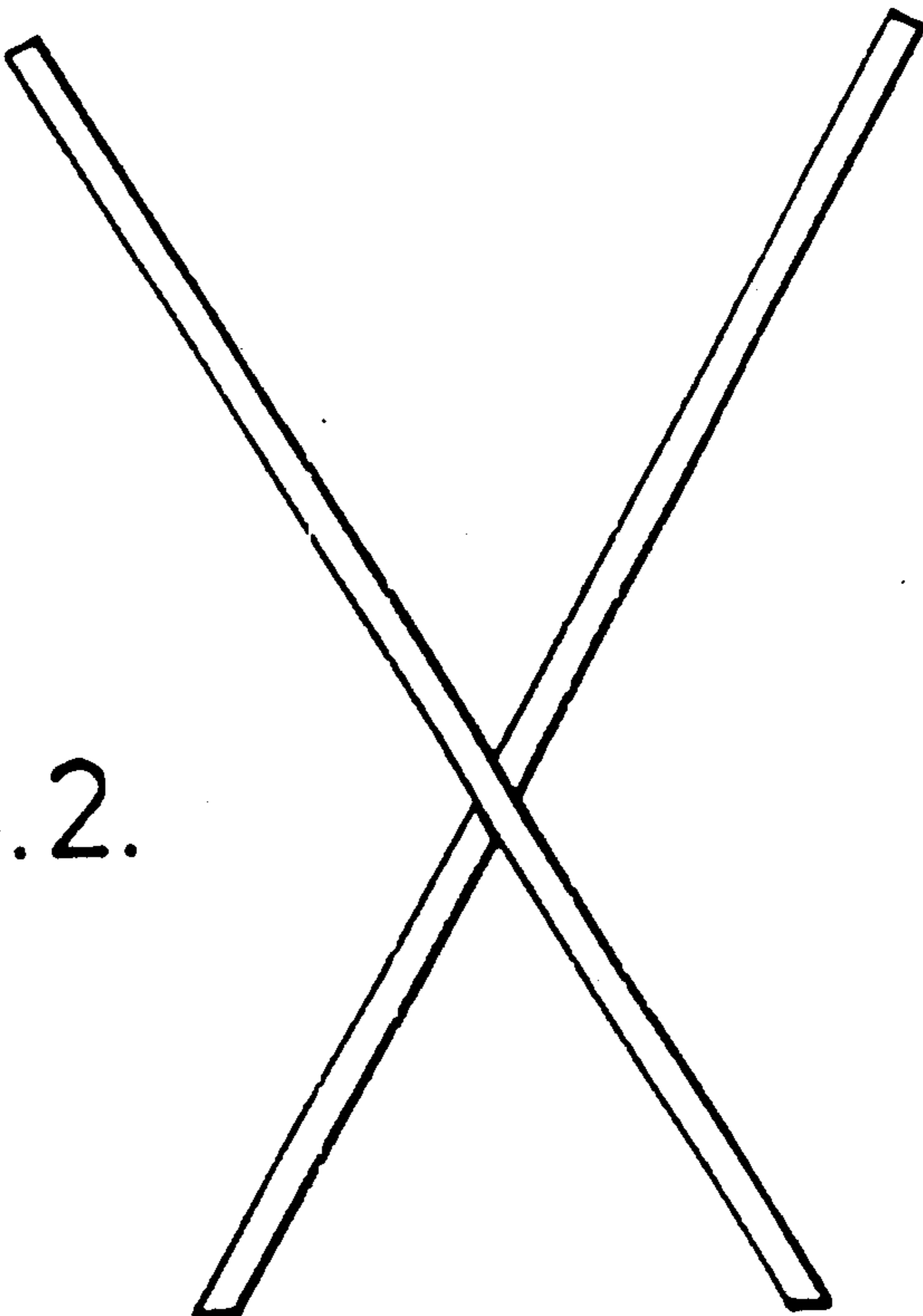


FIG.2.

FIG.3.

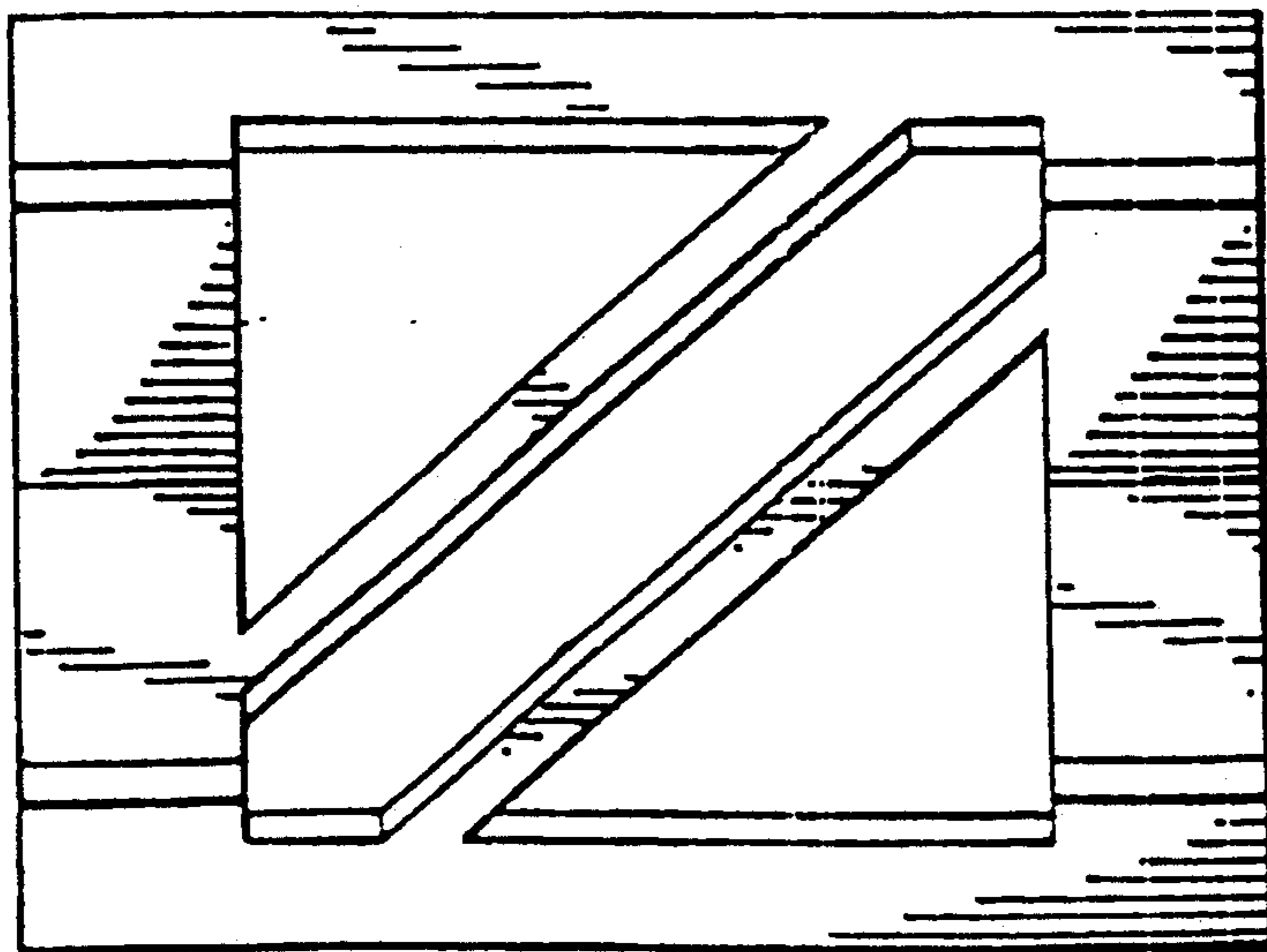
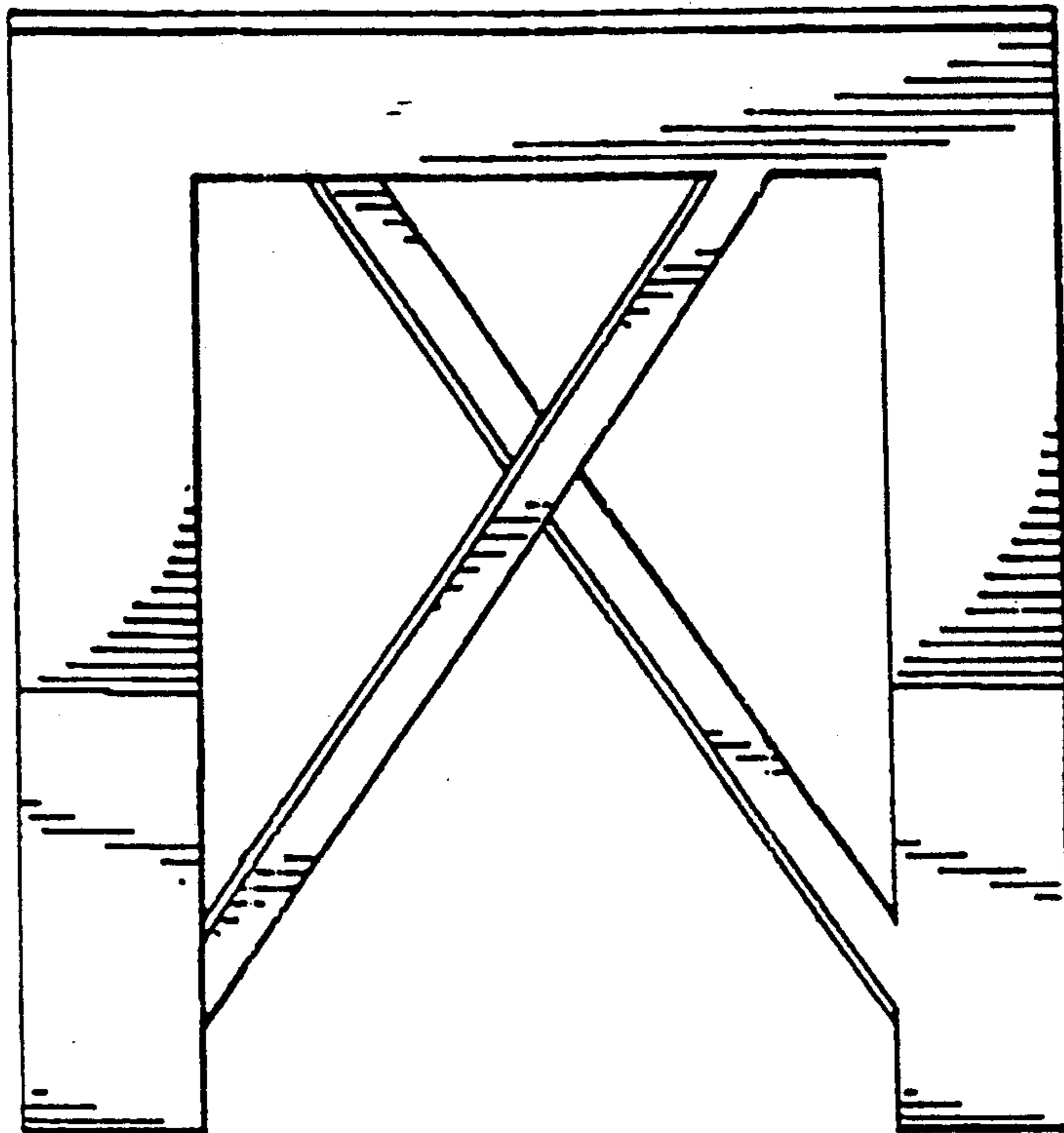


FIG.4.

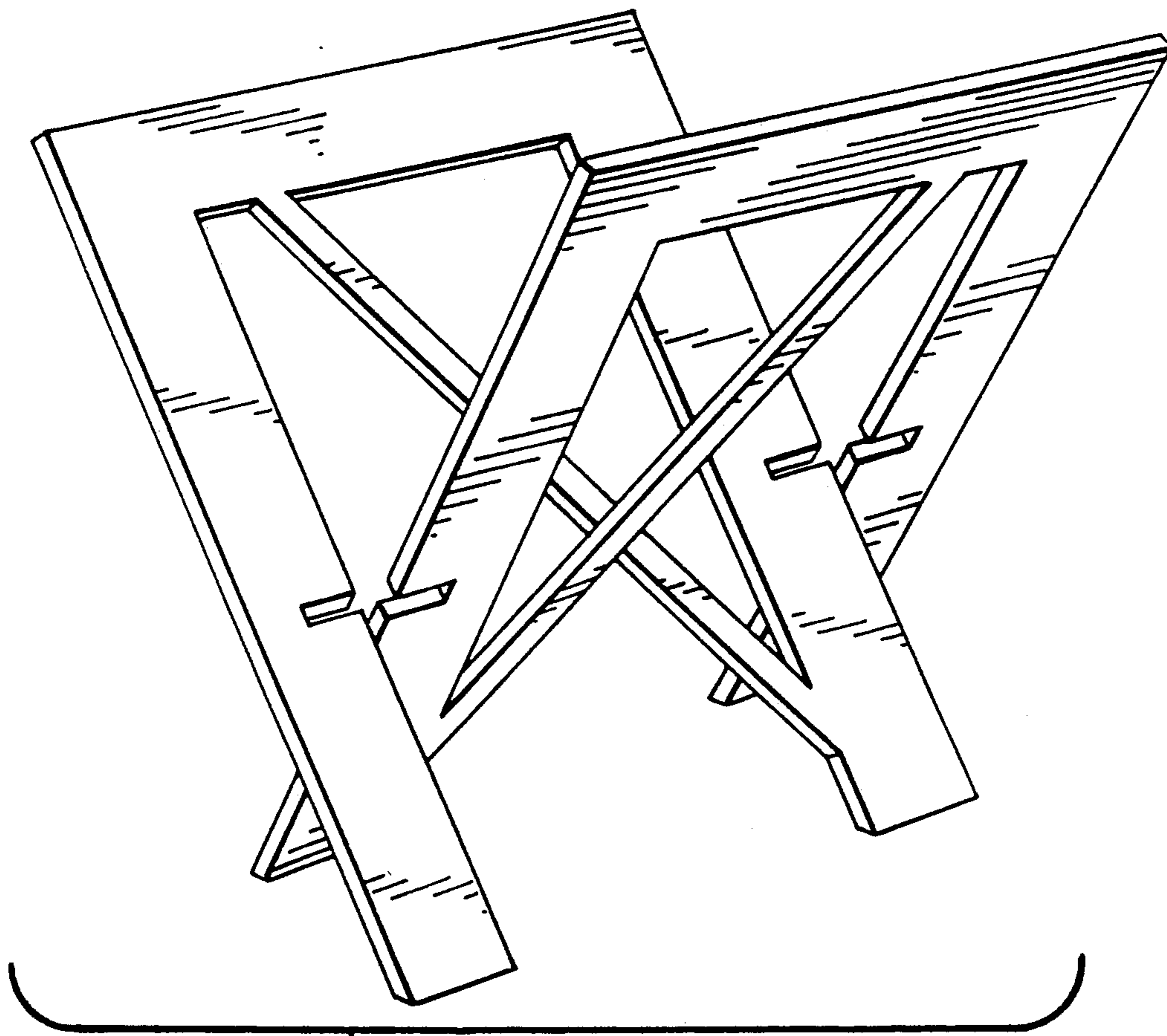


FIG. 5.

UNITED STATES PATENT AND TRADEMARK OFFICE
CERTIFICATE OF CORRECTION

PATENT NO. : Des. 326,379
DATED : May 26, 1992
INVENTOR(S) : Mark T. Gilbey

It is certified that error appears in the above-identified patent and that said Letters Patent are hereby corrected as shown below:

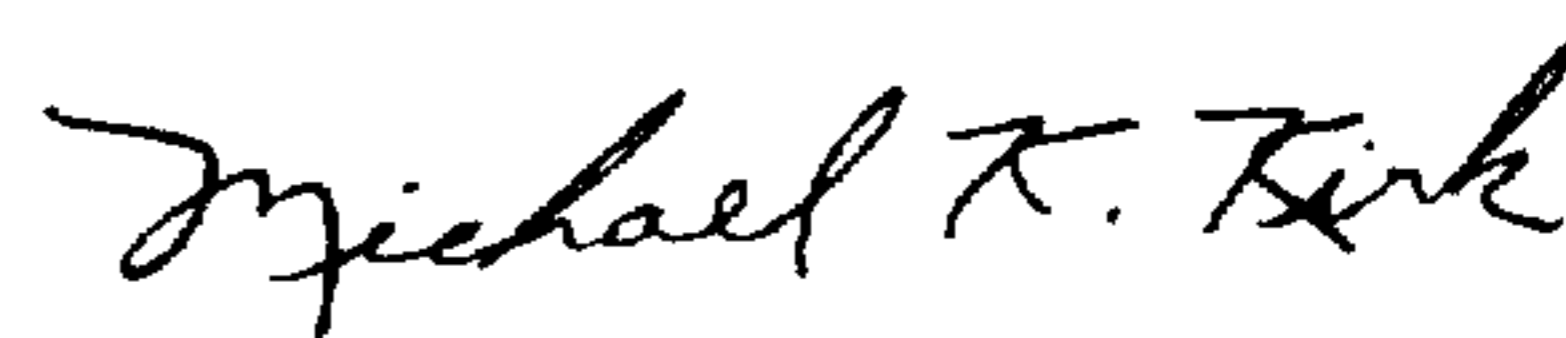
Title Page:

[56] References Cited

U.S. "D 252,764" should be --D 262,764 --.

Signed and Sealed this
Sixth Day of July, 1993

Attest:



MICHAEL K. KIRK

Attesting Officer

Acting Commissioner of Patents and Trademarks