



US00D326378S

# United States Patent [19]

Yunger et al.

[11] Patent Number: Des. 326,378

[45] Date of Patent: \*\* May 26, 1992

- [54] CONTAINER RACK
- [75] Inventors: Robert J. Yunger; James S. Schumaker, both of Plano, Ill.
- [73] Assignee: Plano Molding Company, Plano, Ill.
- [\*\*] Term: 14 Years
- [21] Appl. No.: 435,293
- [22] Filed: Nov. 13, 1989
- [52] U.S. Cl. .... D6/467; D3/35; D6/407; D6/569
- [58] Field of Search ..... D3/30.1, 35, 74; D6/449, 397, 466-468, 462-465, 475, 476, 407, 567, 569, 570, 571, 572; 211/40, 41, 71; 312/10

- D. 289,342 4/1987 Reichow ..... D6/572 X
- D. 307,977 5/1990 Egly et al. .... D3/35
- 4,123,128 10/1978 Abele ..... 211/71 X
- 4,293,075 10/1981 Veralrud ..... 211/40
- 4,846,355 7/1989 Price, Sr. et al. .... D6/407 X

Primary Examiner—Donald P. Walsh  
Assistant Examiner—Jeffrey Asch

### [57] CLAIM

The ornamental design for a container rack, as shown and described.

### DESCRIPTION

FIG. 1 is a perspective view of a container rack showing our new design;  
 FIG. 2 is a right side elevational view, the left side being a mirror image thereof;  
 FIG. 3 is a front elevational view thereof;  
 FIG. 4 is a rear elevational view thereof;  
 FIG. 5 is a top plan view thereof; and,  
 FIG. 6 is a bottom plan view thereof.  
 FIGS. 2-6 have been shown on an enlarged scale with respect to FIG. 1.

### [56] References Cited

#### U.S. PATENT DOCUMENTS

- D. 212,192 9/1968 Adell ..... D6/569
- D. 236,930 9/1975 Frazelle ..... D6/510
- D. 245,300 8/1977 Mathus et al. .... D6/569
- D. 247,646 3/1978 Woodhall ..... D6/569 X
- D. 259,450 6/1981 Veralrud ..... D3/35

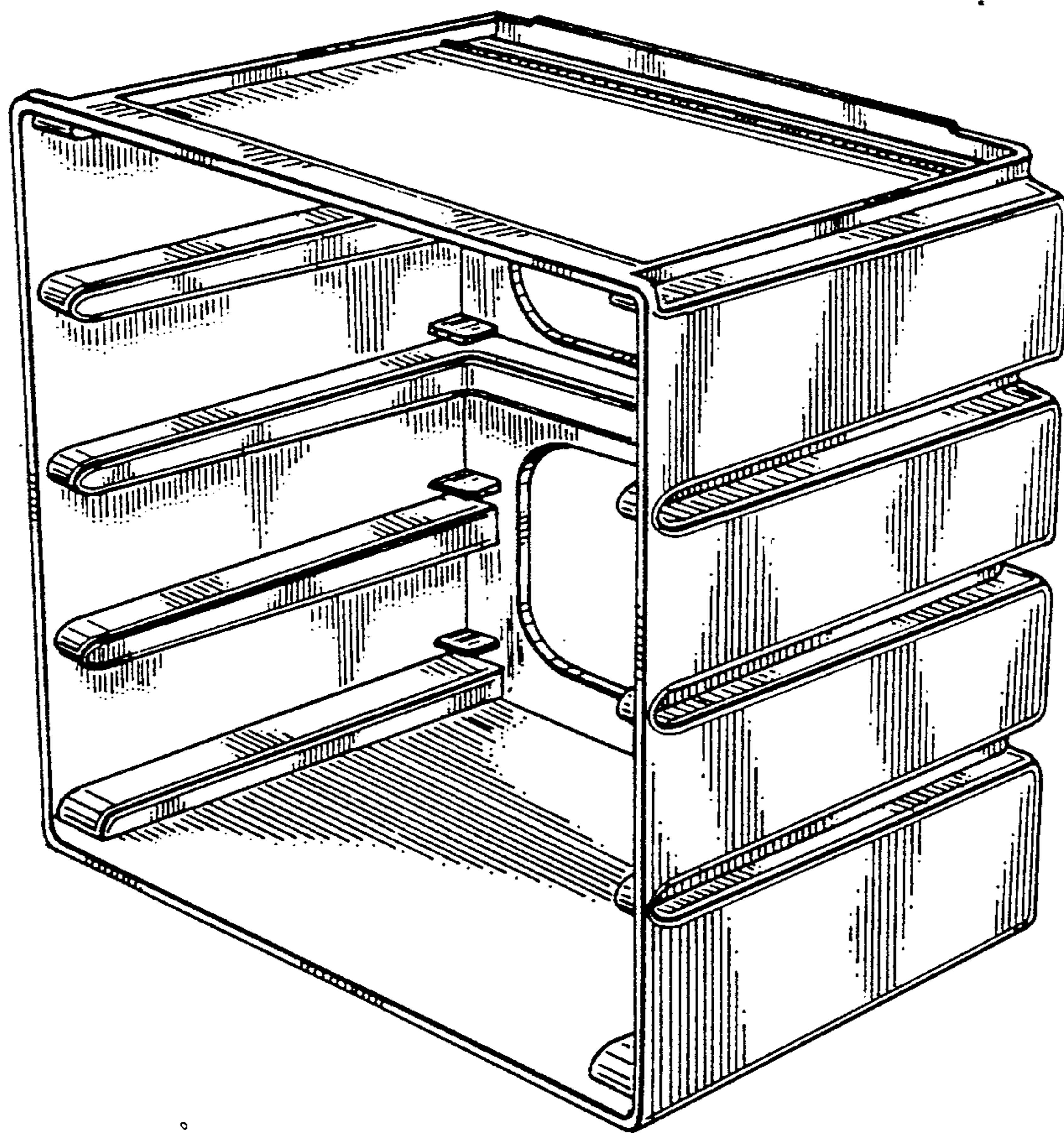


FIG. 1

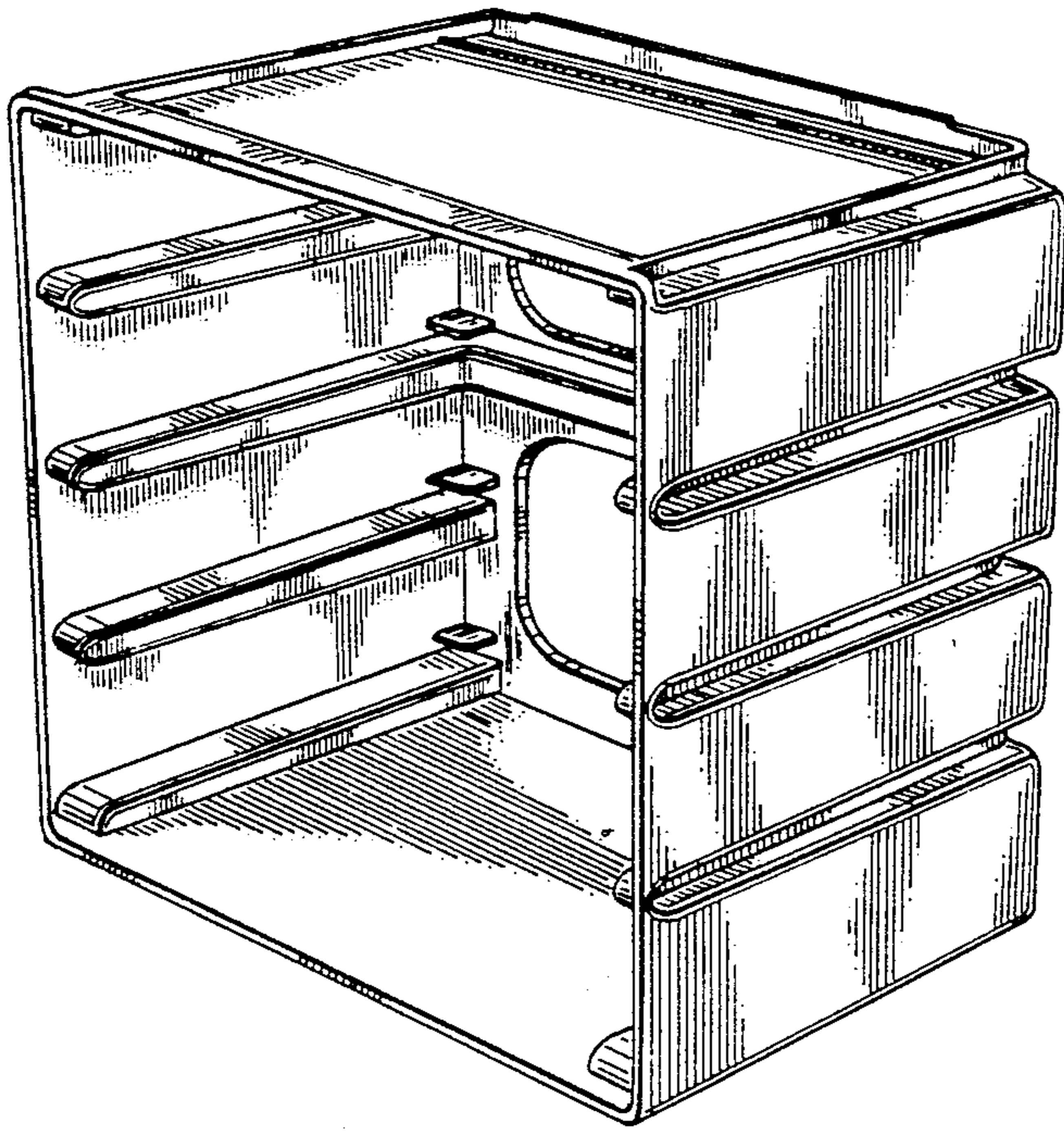


FIG. 2

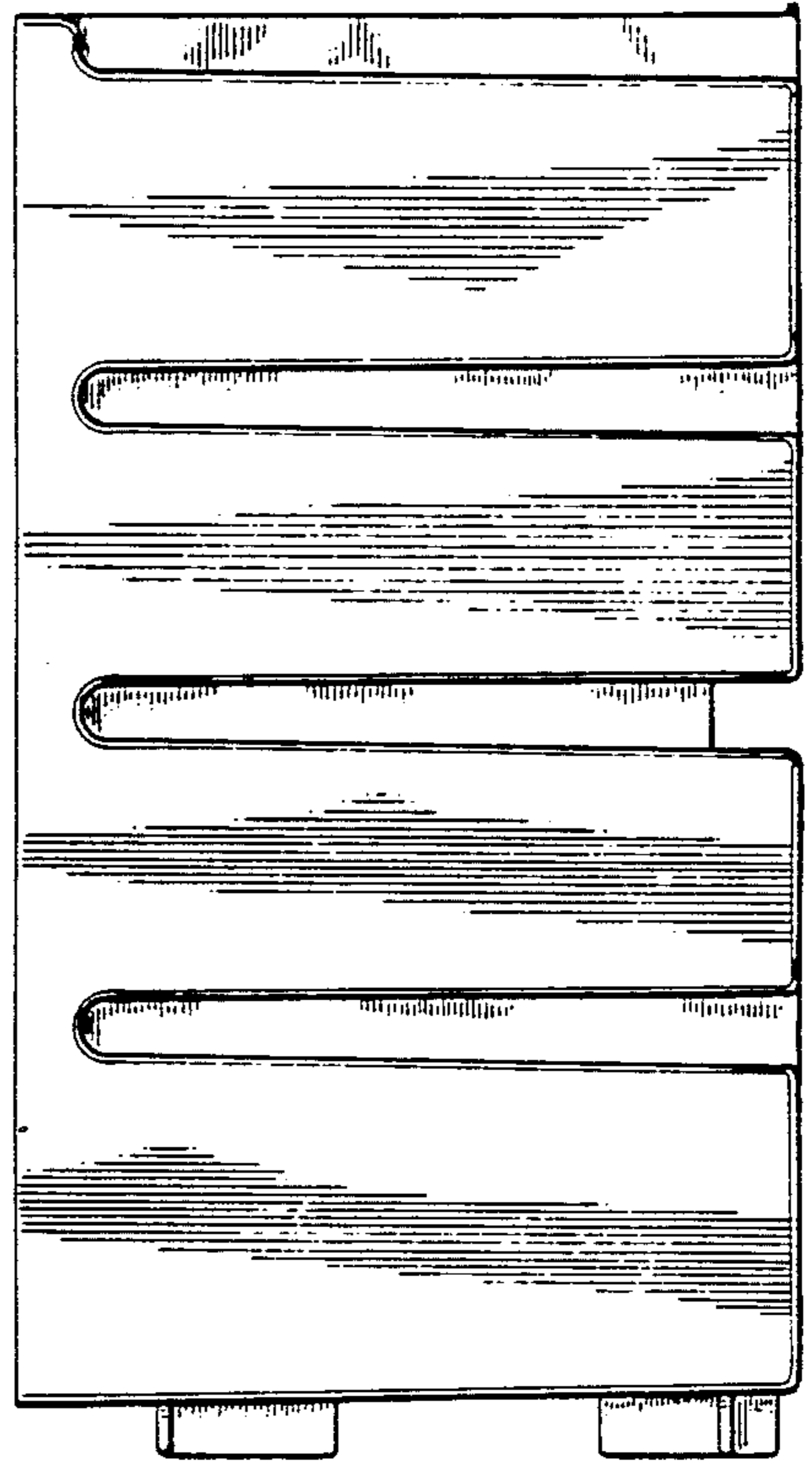
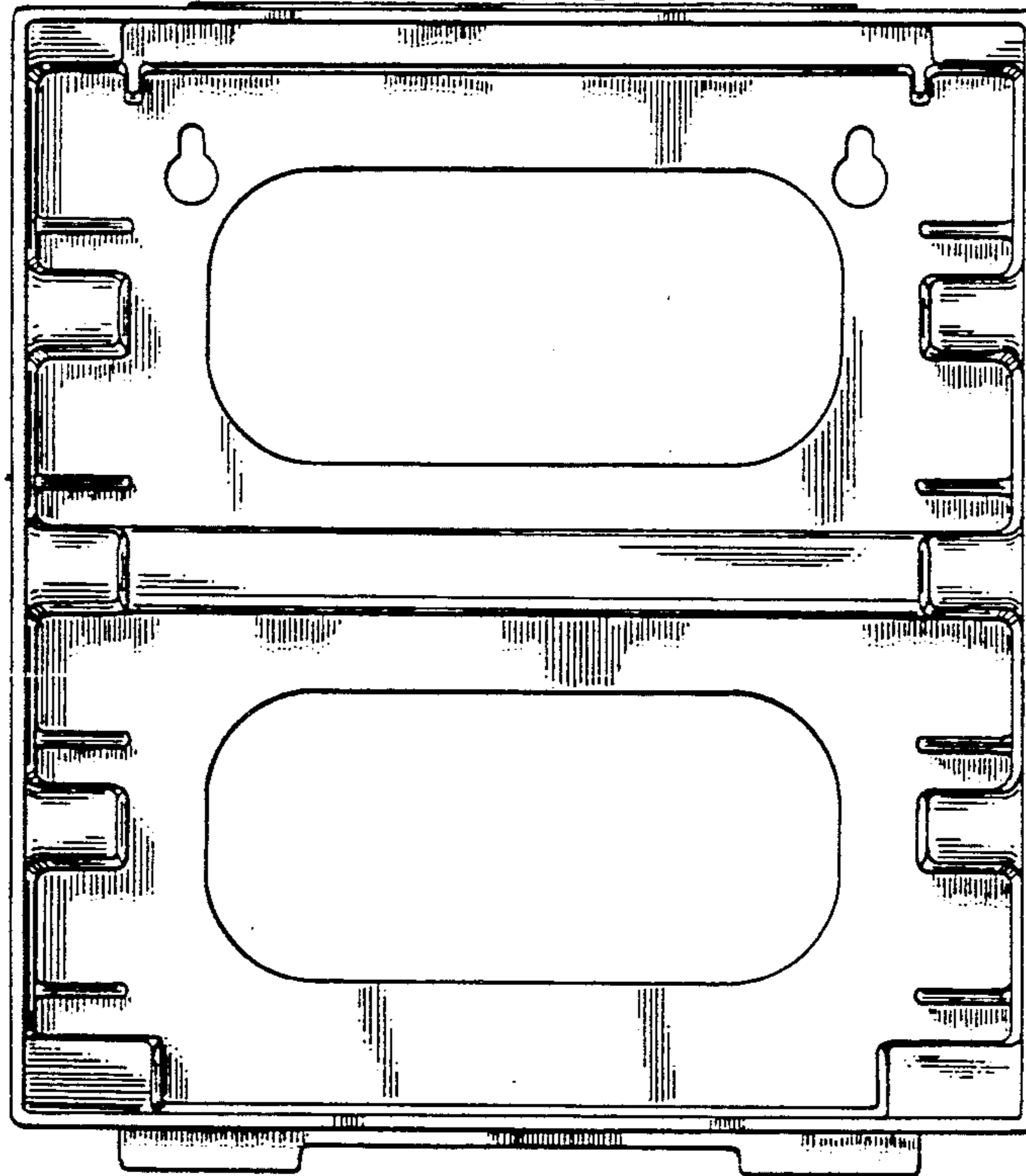


FIG. 3



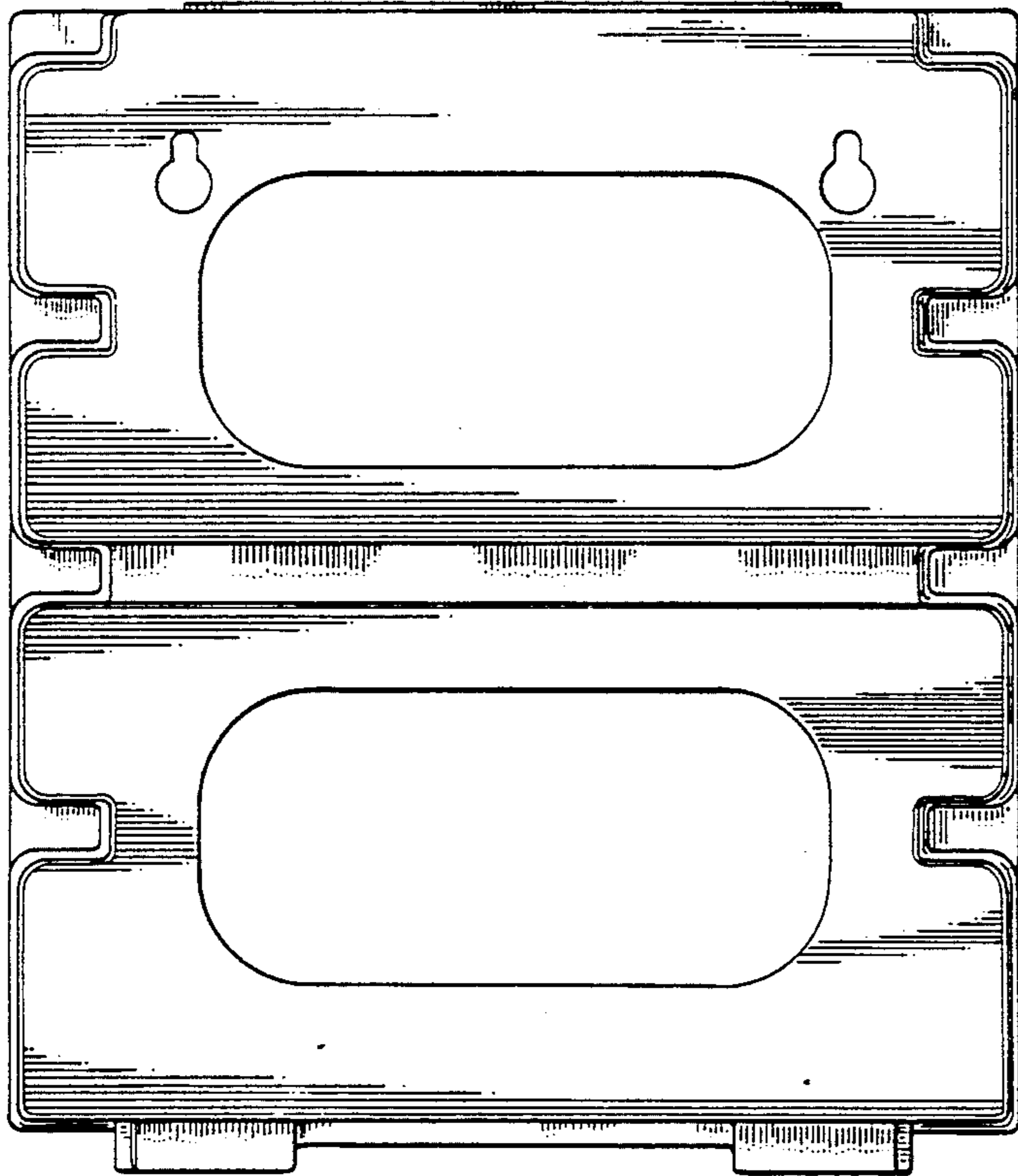


FIG. 4

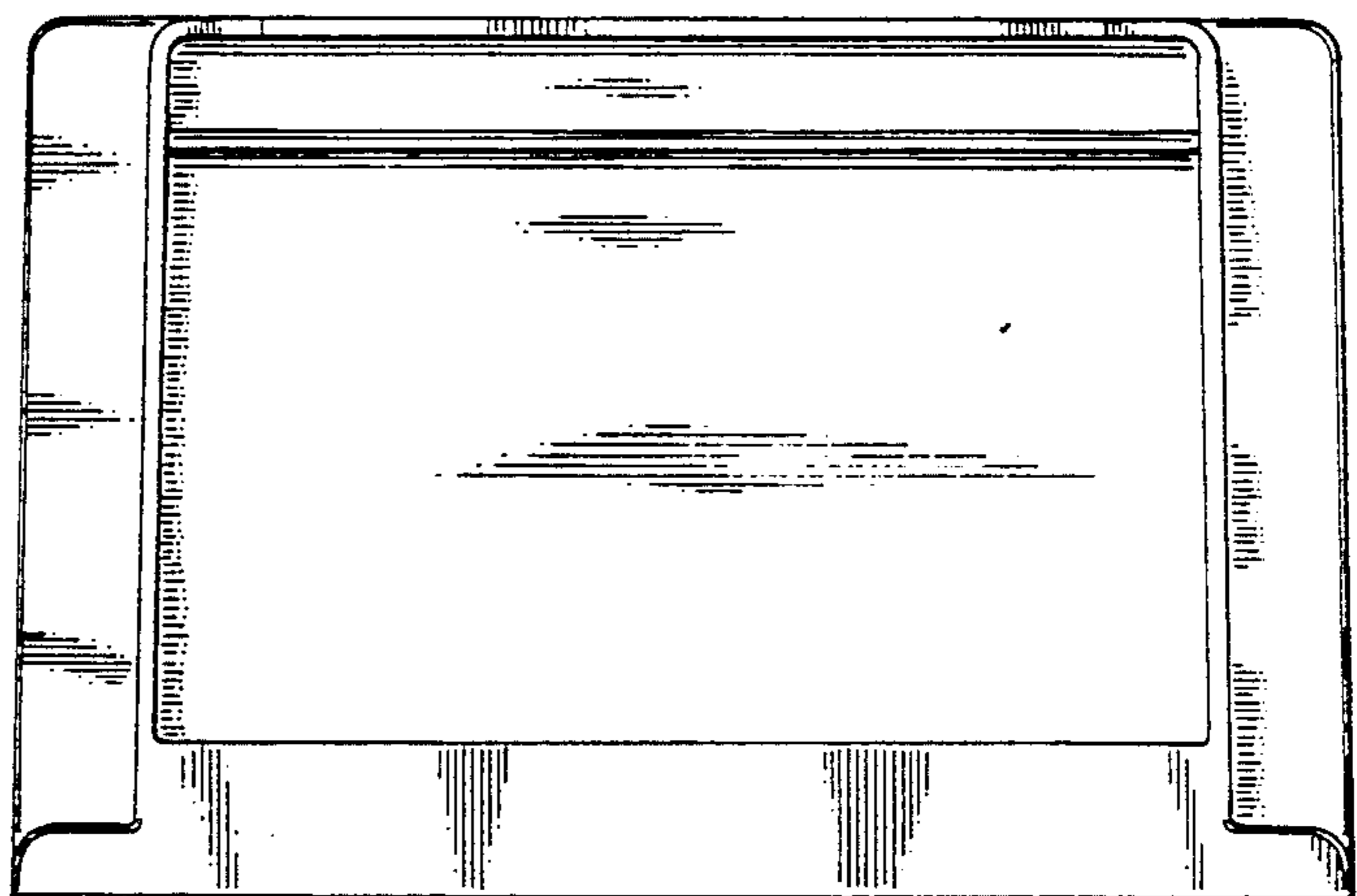


FIG. 5

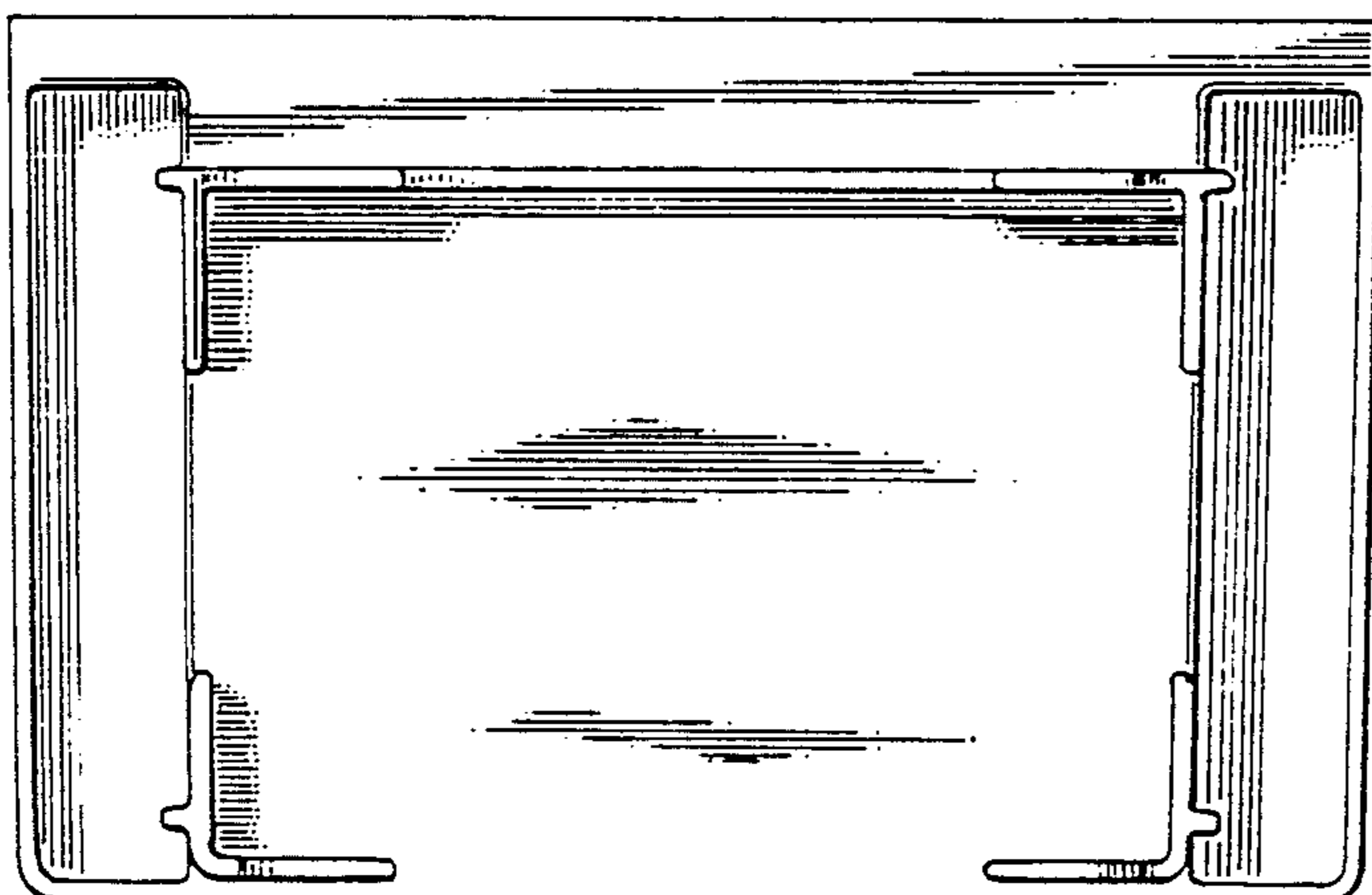


FIG. 6