



US00D326374S

United States Patent [19]

[11] Patent Number: **Des. 326,374**

Townsend

[45] Date of Patent: **** May 26, 1992**

[54] CLOTHES TREE

[76] Inventor: **Thomas C. Townsend**, 208 Hillside Ter., Vista, Calif. 92084

[**] Term: **14 Years**

[21] Appl. No.: **482,392**

[22] Filed: **Feb. 20, 1990**

[52] U.S. Cl. **D6/412; D6/410; D6/411; 211/13; 211/71; 211/205**

[58] Field of Search **D6/396, 407, 411, 412, D6/419, 429, 432, 436, 440, 446, 467, 462; 211/13, 71, 196, 205; 298/158, 441.1**

[56] **References Cited**

U.S. PATENT DOCUMENTS

| | | | |
|------------|--------|---------------------|--------|
| D. 143,630 | 1/1946 | Silverman | D6/412 |
| D. 193,670 | 9/1962 | Goldman et al. | D6/412 |
| 738,345 | 8/1903 | Moore | 211/71 |

| | | | |
|-----------|---------|------------------|-----------|
| 743,276 | 11/1903 | Hammack | 211/13 |
| 2,890,801 | 6/1959 | Ladd et al. | 211/205 X |
| 4,865,283 | 9/1989 | Parker | 211/205 X |
| 4,889,246 | 12/1989 | Lee | 211/205 X |

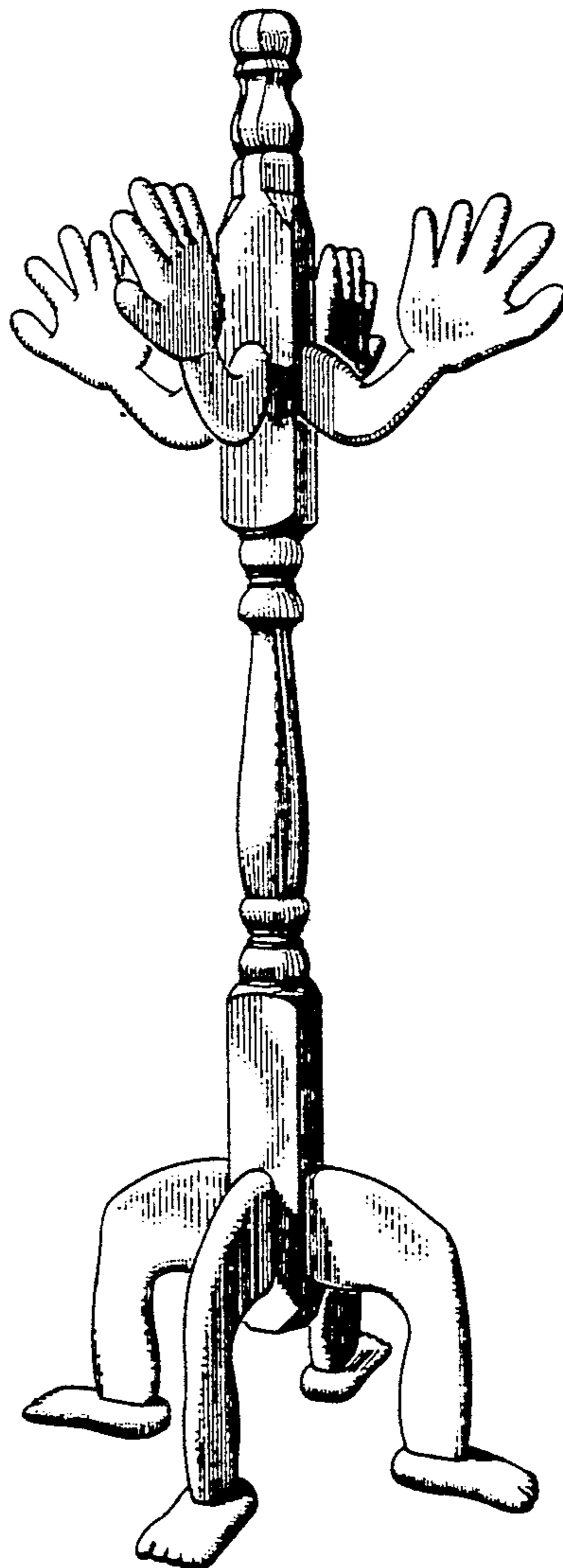
Primary Examiner—Nelson C. Holtje
Assistant Examiner—Monica A. Hannon
Attorney, Agent, or Firm—John J. Murphey

[57] CLAIM

The ornamental design of the clothes tree, as shown and described.

DESCRIPTION

FIG. 1 is a top plan view of a clothes tree showing my new design;
FIG. 2 is a left side elevational view, the right side being identical thereof;
FIG. 3 is a bottom plan view thereof; and,
FIG. 4 is a front perspective view, the rear being identical thereof.



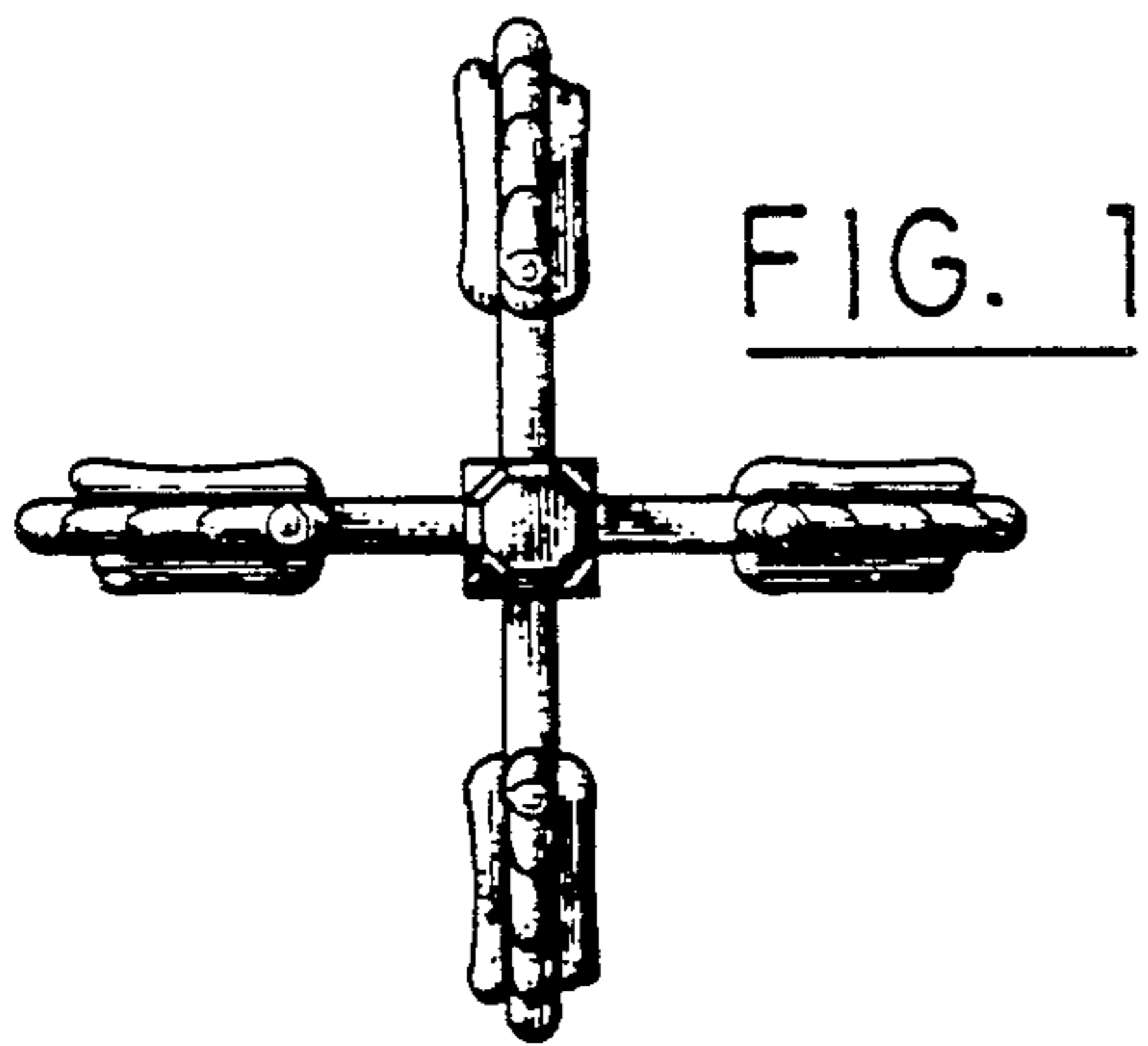


FIG. 1

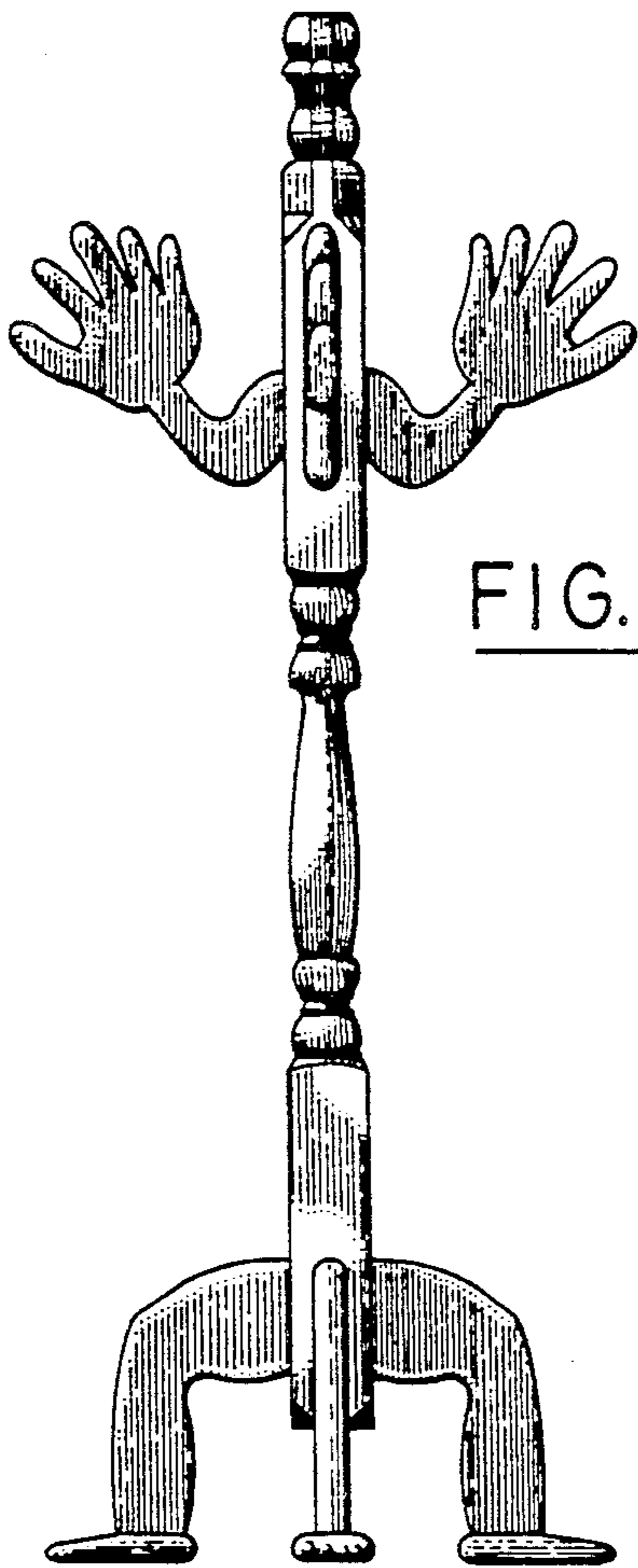


FIG. 2

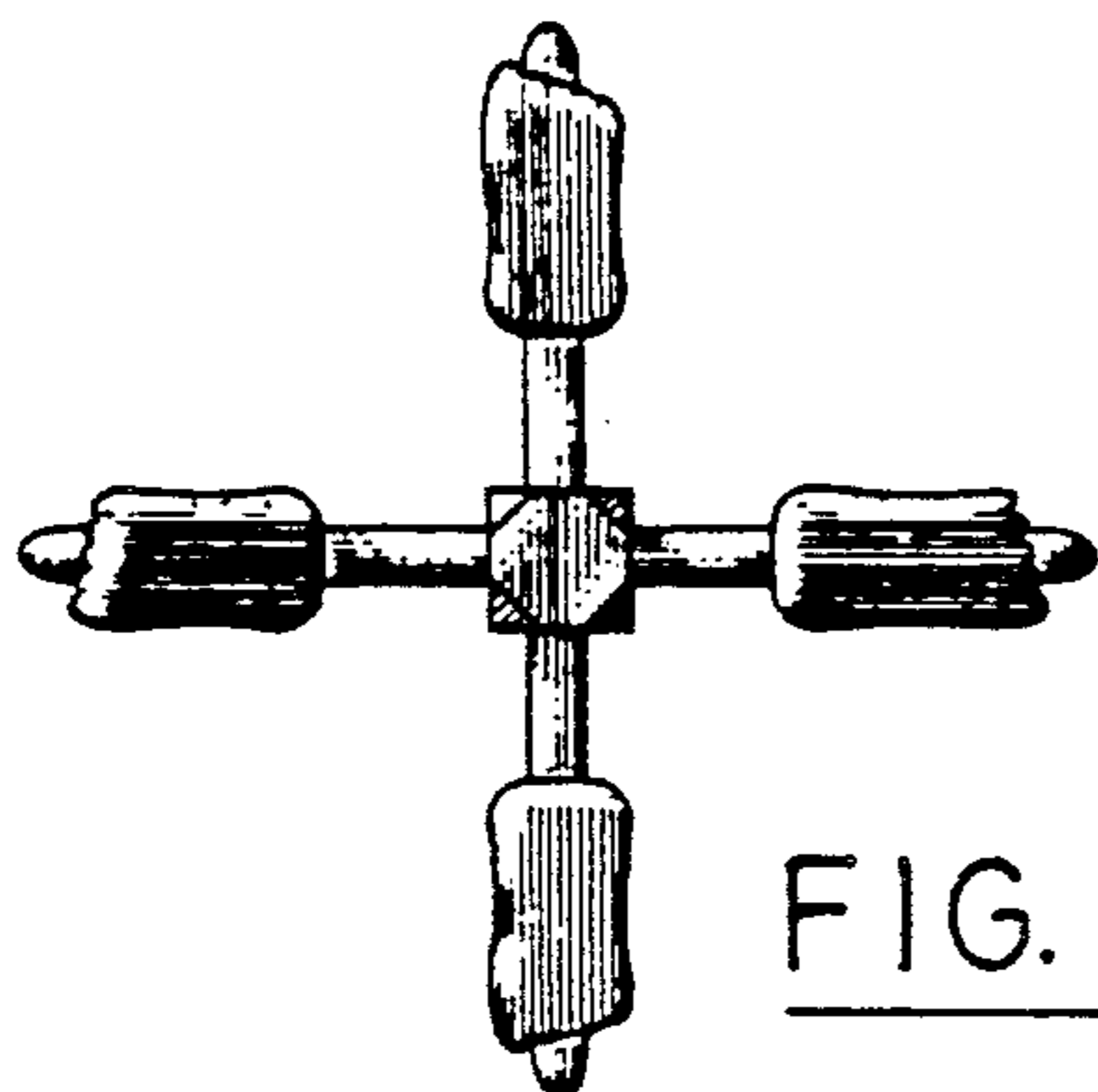


FIG. 3

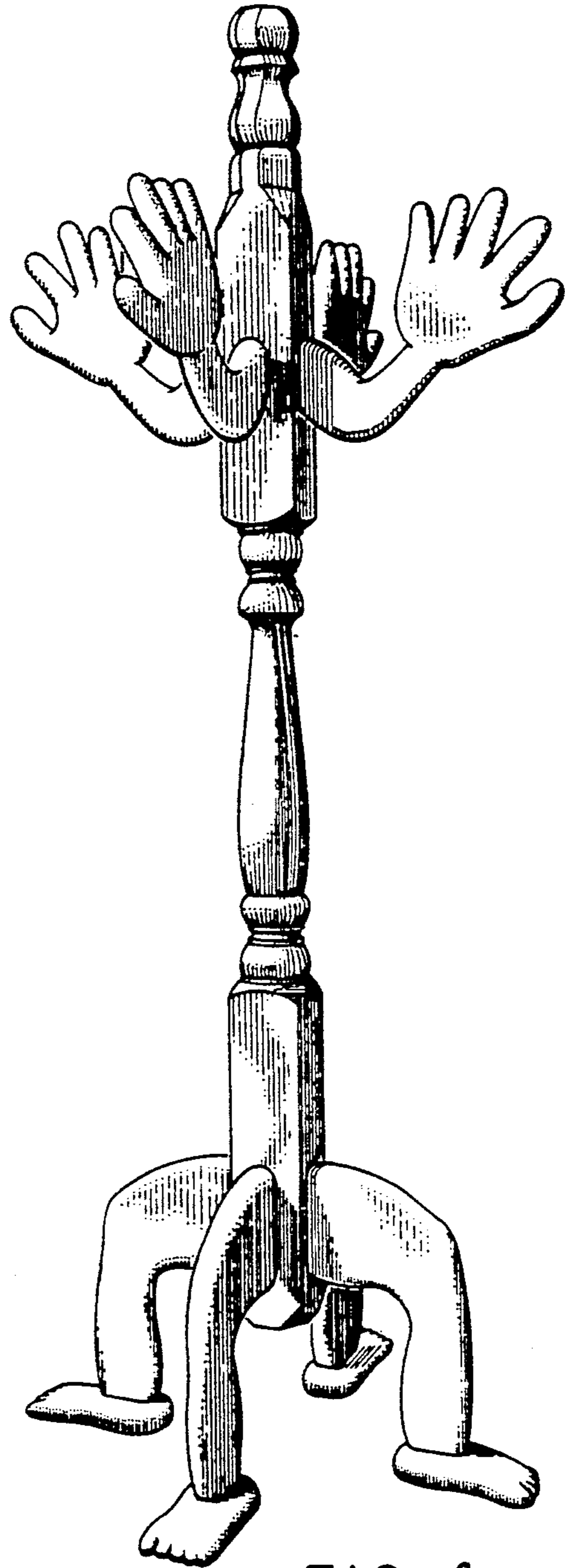


FIG. 4