



US00D326373S

United States Patent [19]

Hess

[11] Patent Number: Des. 326,373

[45] Date of Patent: ** May 26, 1992

[54] CHAIR FRAME

[75] Inventor: Stephen C. Hess, Birmingham, Ala.

[73] Assignee: Winston Furniture Company of Alabama, Inc., Birmingham, Ala.

[*] Notice: The portion of the term of this patent subsequent to Aug. 6, 2005 has been disclaimed.

[**] Term: 14 Years

[21] Appl. No.: 334,113

[22] Filed: Apr. 5, 1989

Related U.S. Application Data

[63] Continuation-in-part of Ser. No. 272,863, Nov. 17, 1988, Pat. No. Des. 321,603.

[52] U.S. Cl. D6/379

[58] Field of Search D6/334, 363, 370, 371, D6/372, 373, 374, 375, 379, 380, 381, 500

[56] References Cited

U.S. PATENT DOCUMENTS

D. 115,052	5/1939	Salomon	D6/379
D. 186,878	12/1959	Cramer, Jr.	D6/379
D. 233,870	12/1974	Goldsmith	D6/363 X
D. 271,455	11/1983	Saiger	D6/500
D. 285,753	9/1986	Zola	D6/373
D. 286,472	11/1986	Arthur, Jr.	D6/379
D. 287,437	12/1986	Frinier et al.	D6/373
D. 291,632	9/1987	Zola	D6/381 X
D. 318,764	8/1991	Hess	D6/379

Primary Examiner—Nelson C. Holtje

Assistant Examiner—Gary D. Watson

Attorney, Agent, or Firm—Bell, Seltzer, Park & Gibson

[57] CLAIM

The ornamental design for a chair frame, as shown and described.

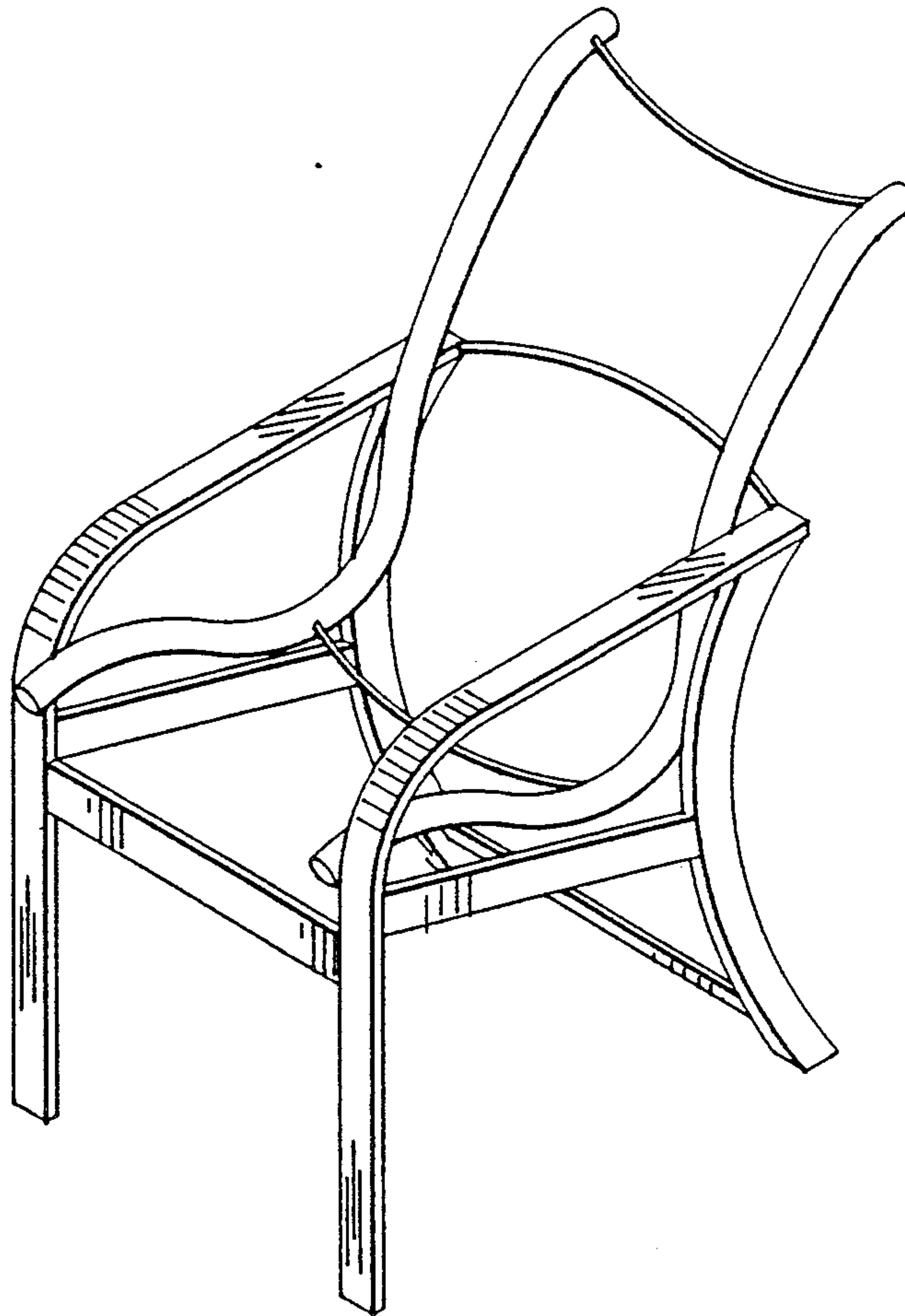
DESCRIPTION

FIG. 1 is a front perspective view of a chair frame showing my new design;

FIG. 2 is a top plan view;

FIG. 3 is a left side elevational view, the right side being a mirror image thereof; and,

FIG. 4 is a front elevational view thereof.



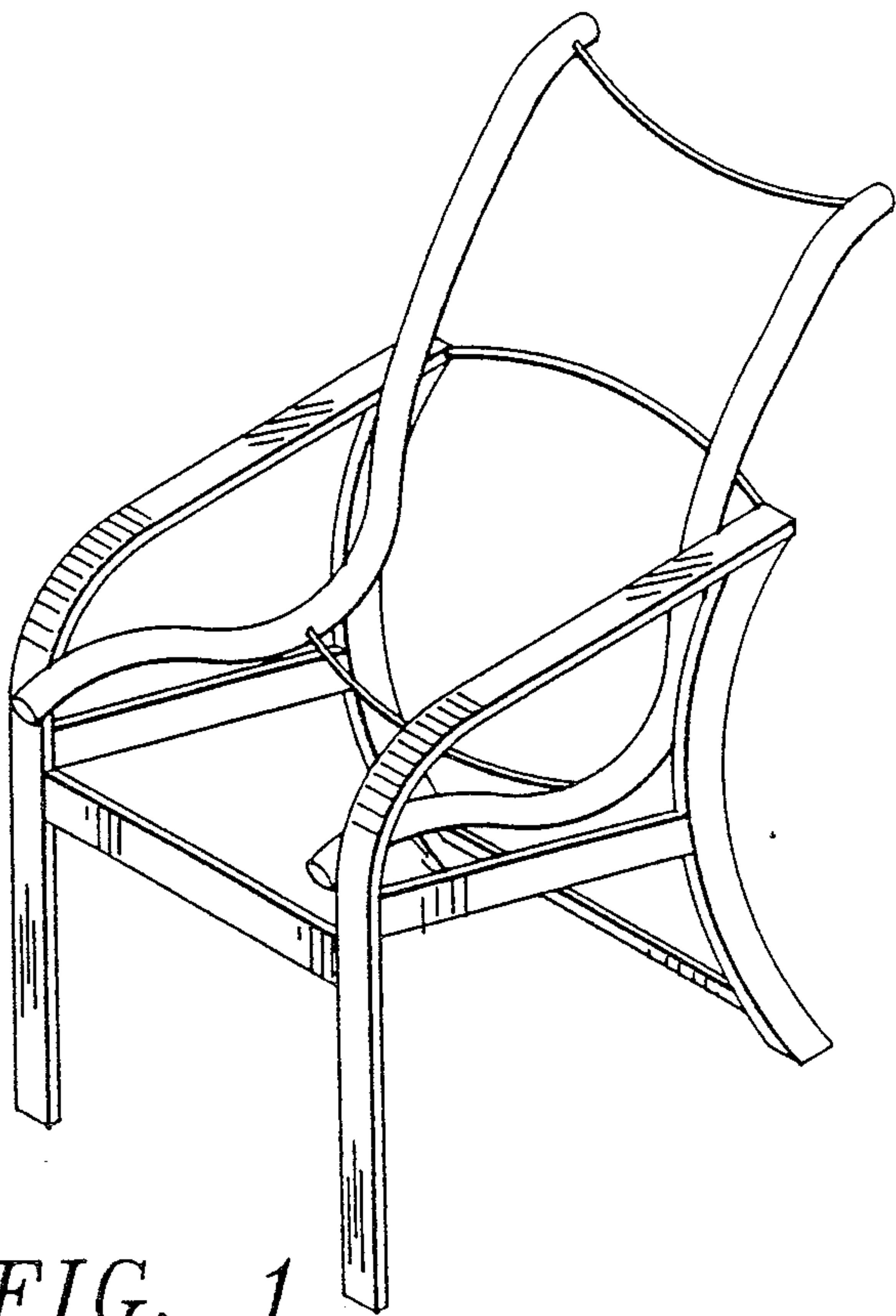


FIG. 1

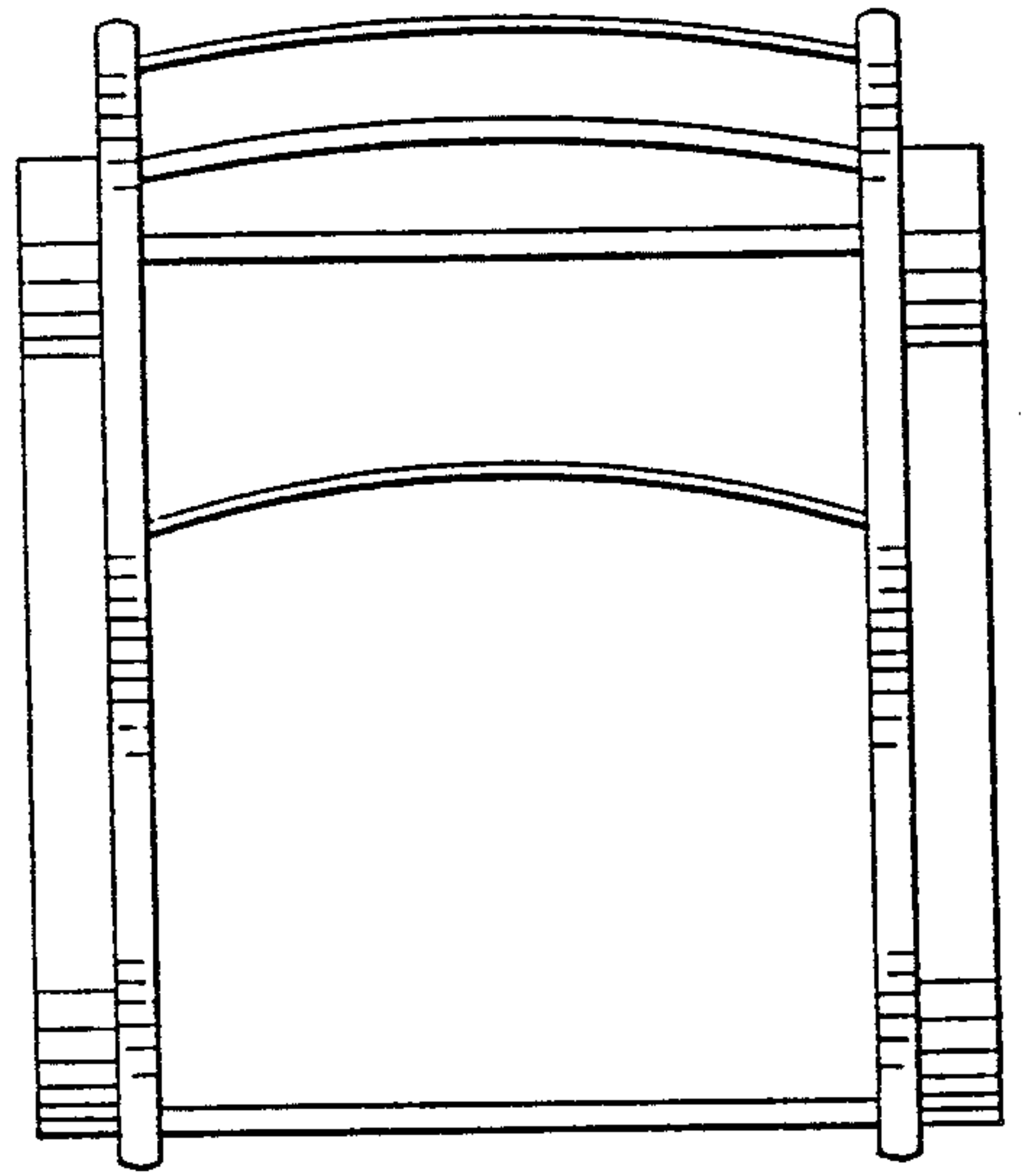


FIG. 2

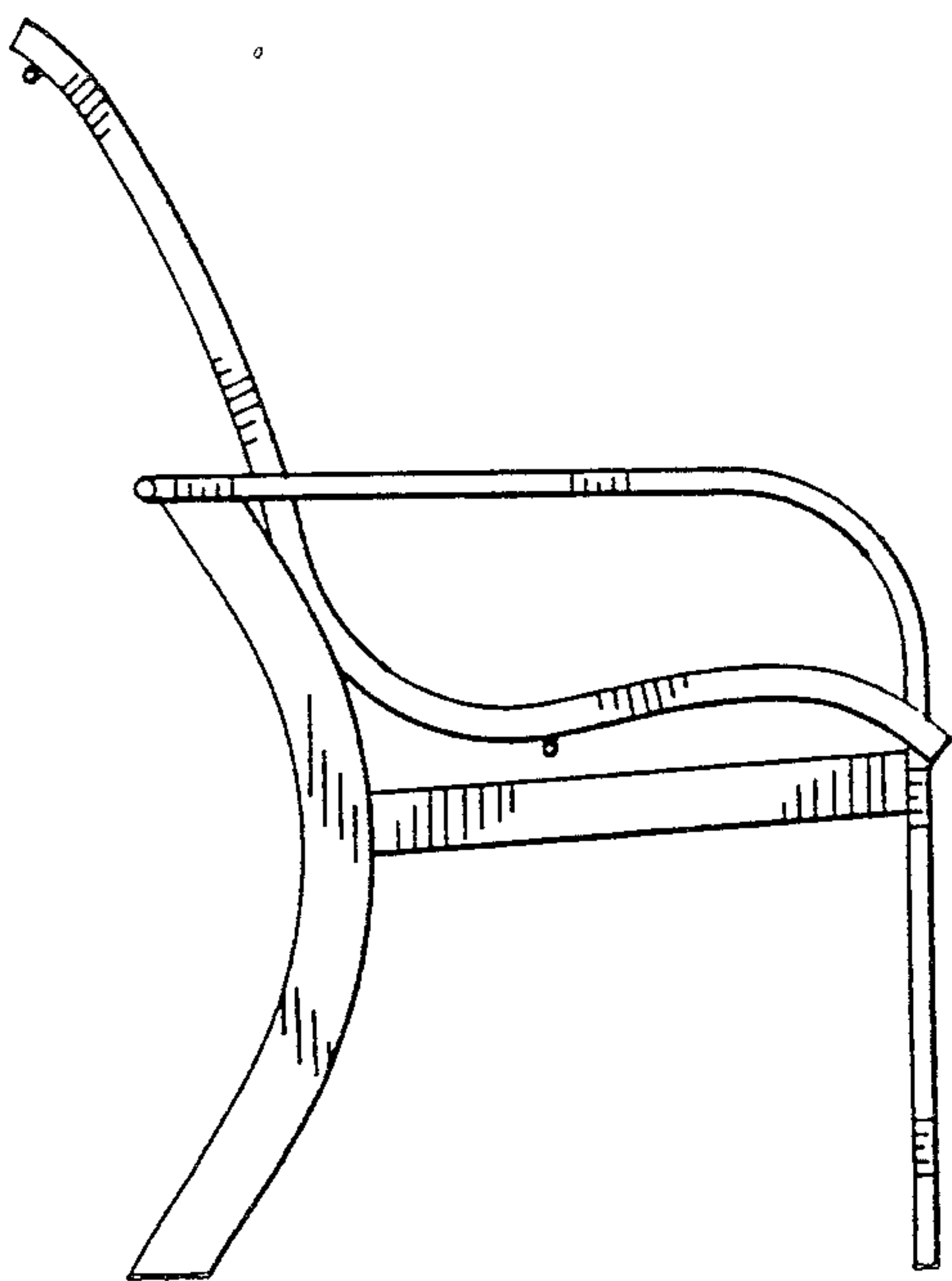


FIG. 3

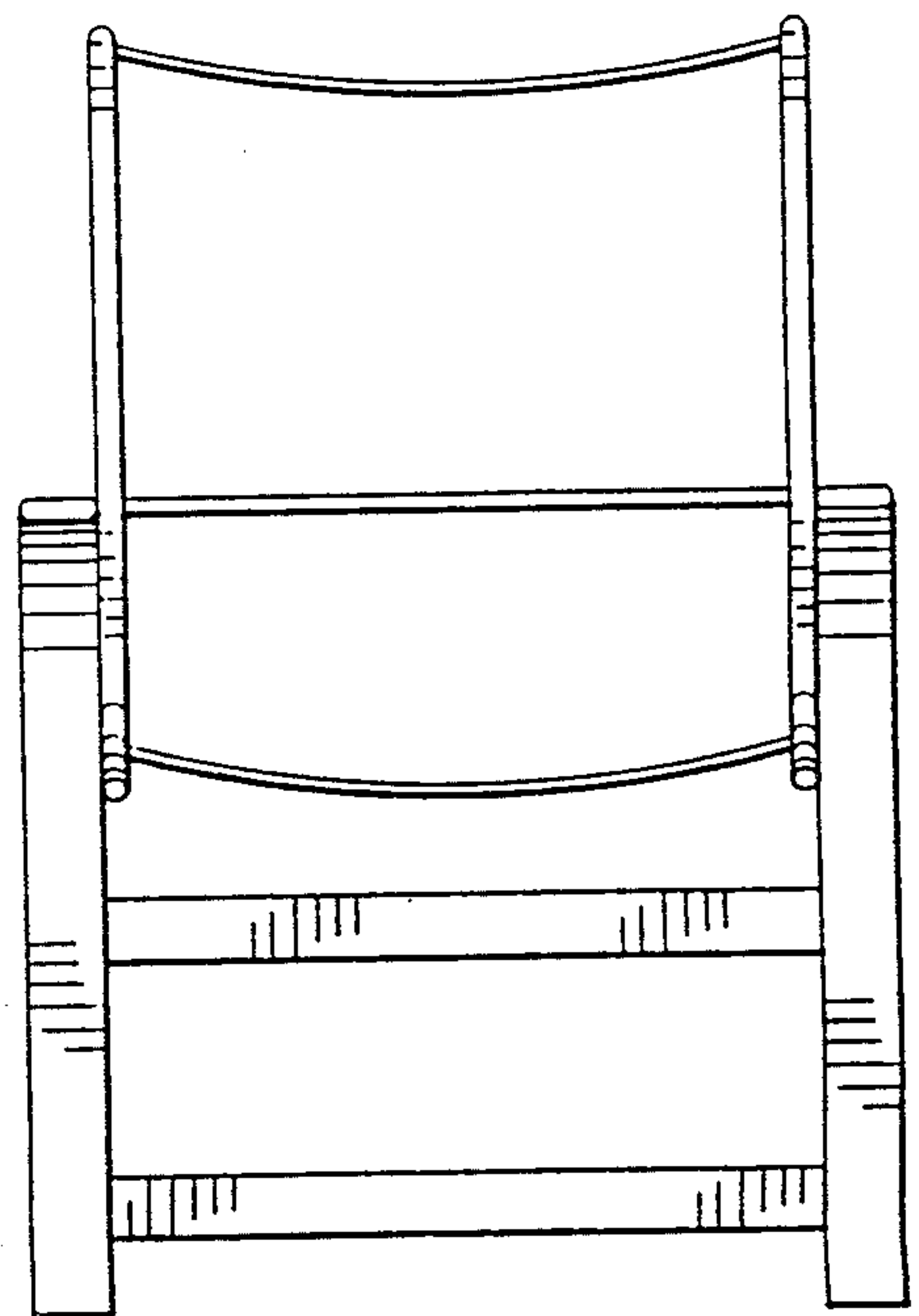


FIG. 4