



US00D326370S

United States Patent [19]

[11] Patent Number: Des. 326,370

Buchacz

[45] Date of Patent: ** May 26, 1992

[54] CHAIR

D. 318,588 7/1991 Koepke D6/366 X
4,529,247 7/1985 Stumpf et al. D6/366 X

[76] Inventor: Jurek Buchacz, "Lovli", 2360 Ringsaker, Norway

[**] Term: 14 Years

[21] Appl. No.: 317,278

[22] Filed: Feb. 28, 1989

[30] Foreign Application Priority Data

Sep. 2, 1988 [NO] Norway 69625

[52] U.S. Cl. D6/366

[58] Field of Search D6/334, 366, 374, 375, D6/379, 500

[56] References Cited

U.S. PATENT DOCUMENTS

- D. 199,308 10/1964 Petitt D6/379
- D. 279,947 8/1985 Ballarini D6/334 X
- D. 295,925 5/1988 Oredat-Neuhoff D6/366
- D. 312,176 11/1990 Heidmann D6/366 X

OTHER PUBLICATIONS

Interiors, Aug. 1982, p. 6, Vecta Contract Chair at left.
Interiors, Aug. 1984, p. 78, Sunar Hauserman, Ltd. Chair at far left bottom.
Interiors, May, 1987, p. 73, Caruso Chair at left.

Primary Examiner—Donald P. Walsh
Assistant Examiner—Gary D. Watson
Attorney, Agent, or Firm—Browdy and Neimark

[57] CLAIM

The ornamental design for a chair, as shown.

DESCRIPTION

FIG. 1 is a front right side perspective view of a chair showing my new design;
FIG. 2 is a left side elevational view;
FIG. 3 is a rear elevational view; and,
FIG. 4 is a bottom plan view thereof.

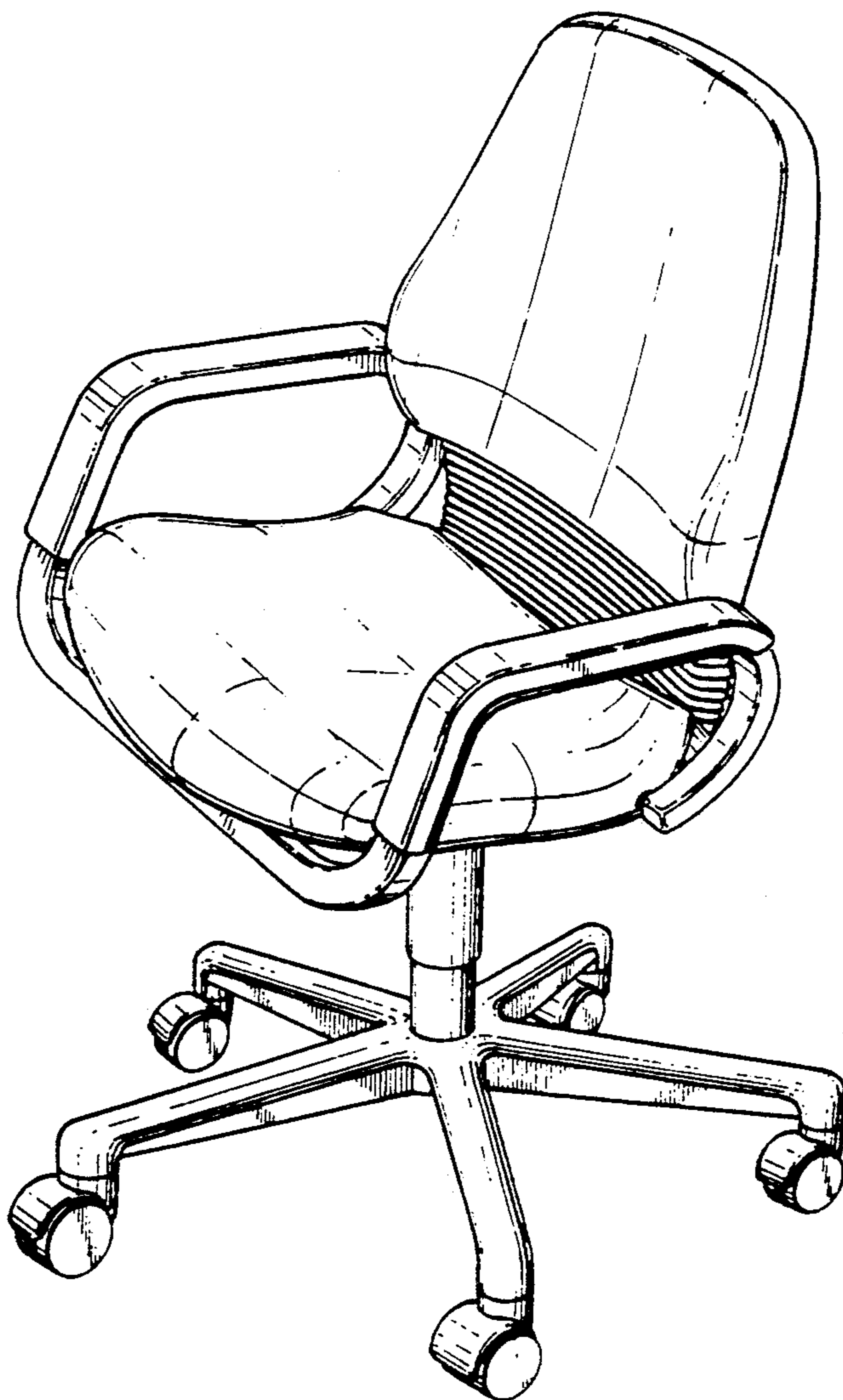




Fig. 1.

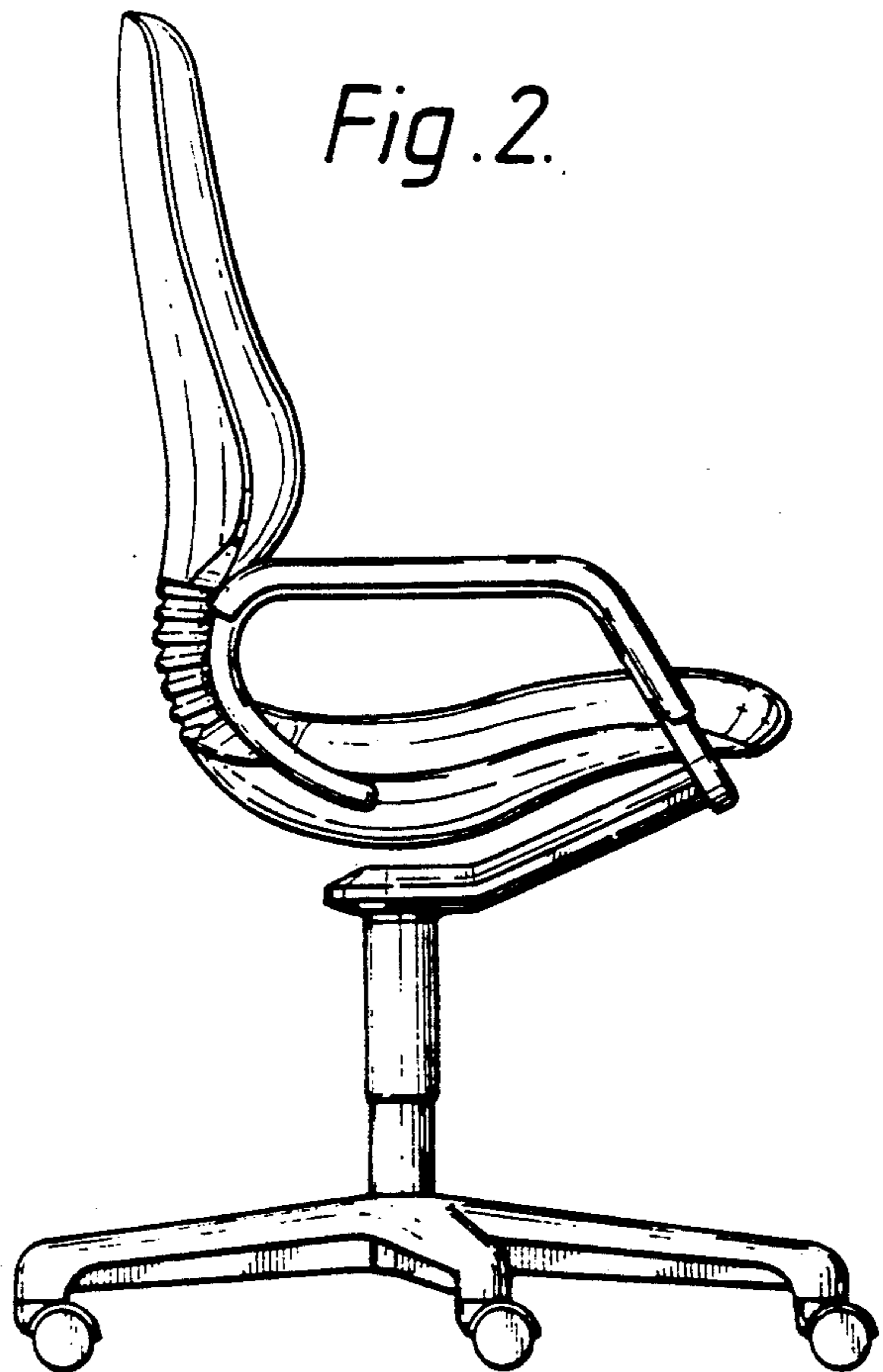


Fig. 2.

Fig. 3.

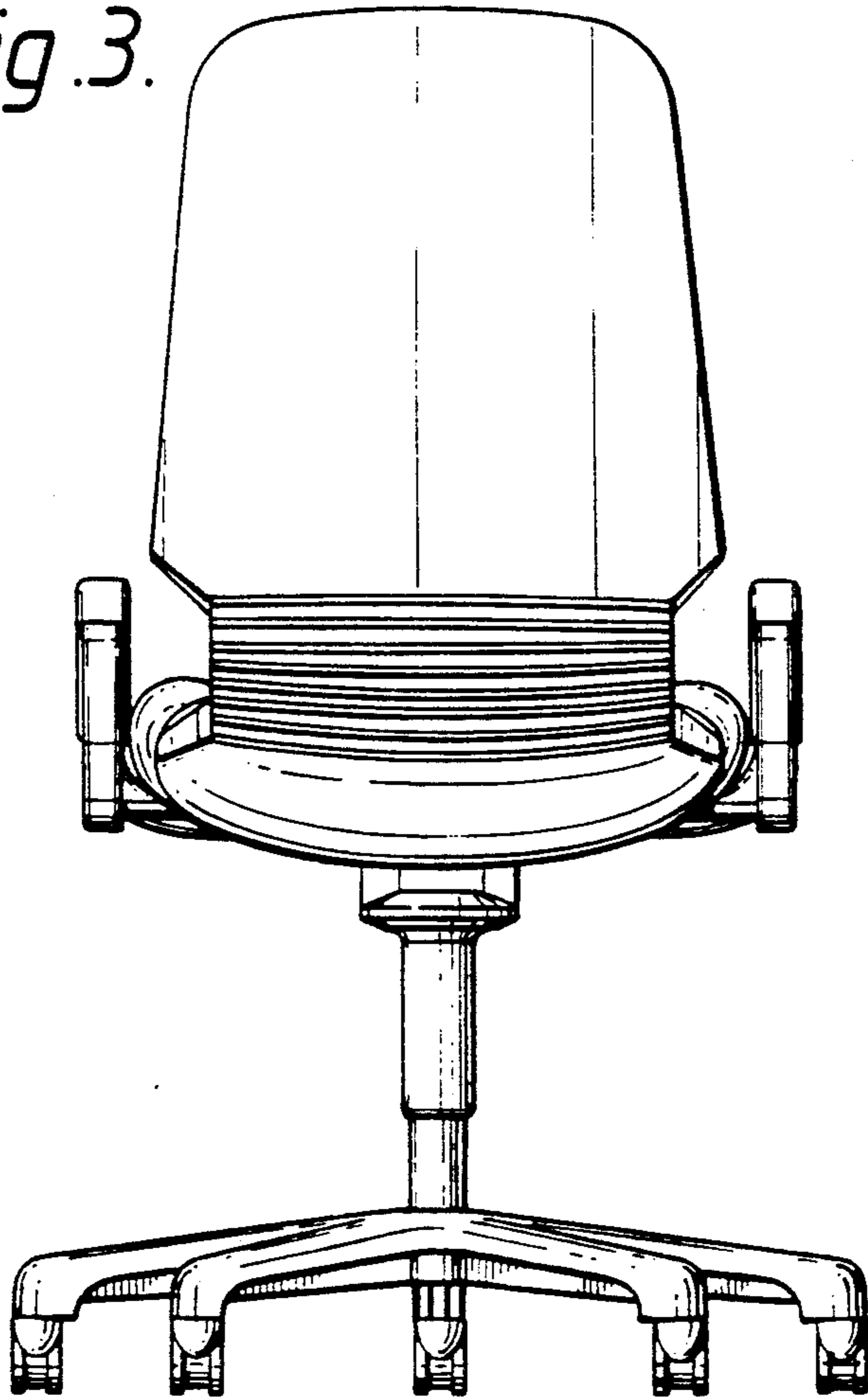


Fig. 4.

