



US00D326368S

United States Patent [19]

[11] Patent Number: **Des. 326,368**

Vilmar-Matthews

[45] Date of Patent: **** May 26, 1992**

[54] CHAIR

D. 274,677 7/1984 Weiner D6/363

[76] Inventor: **Chantal Vilmar-Matthews**, 214 Weirfield St., Brooklyn, N.Y. 11221

Primary Examiner—Donald P. Walsh
Assistant Examiner—Gary D. Watson
Attorney, Agent, or Firm—Evelyn M. Sommer

[**] Term: **14 Years**

[57] **CLAIM**

[21] Appl. No.: **362,324**

The ornamental design for a chair, as shown and described.

[22] Filed: **Jun. 6, 1989**

[52] U.S. Cl. **D6/363**

[58] Field of Search D6/334, 349, 352, 363, D6/366, 380, 500

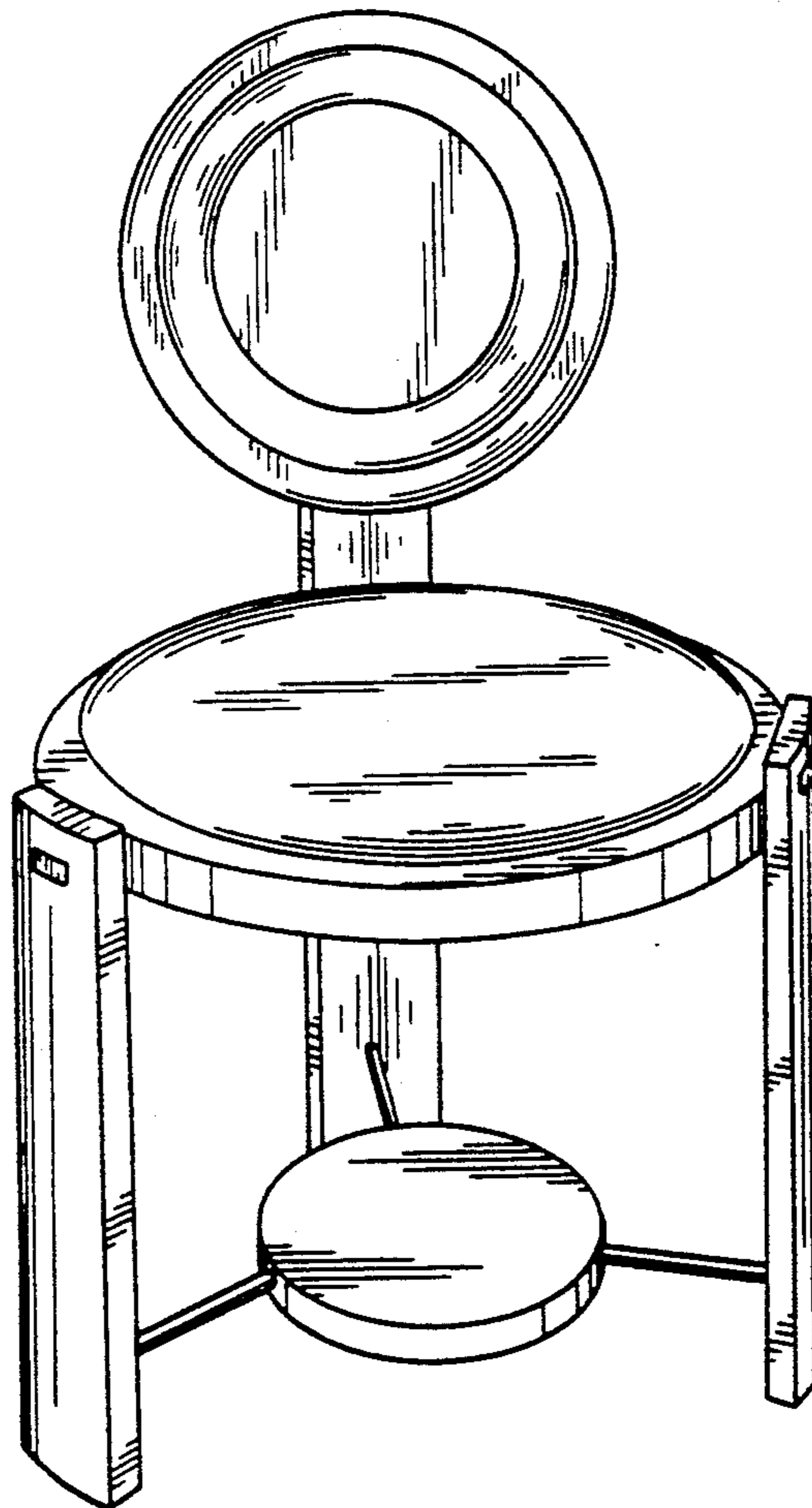
DESCRIPTION

[56] **References Cited**

U.S. PATENT DOCUMENTS

- D. 108,473 2/1938 Wright D6/363
- D. 184,387 2/1959 Williams D6/334
- D. 225,143 11/1972 Ritter D6/363 X
- D. 226,463 3/1973 Duern et al. D6/363
- D. 233,092 10/1974 Laglon D6/363
- D. 234,105 1/1975 Katoda D6/363 X

FIG. 1 is a front perspective view of a chair showing my new design;
 FIG. 2 is a top plan view;
 FIG. 3 is a bottom plan view;
 FIG. 4 is a right side elevational view, the left side being a mirror image thereof;
 FIG. 5 is a front elevational view; and,
 FIG. 6 is a rear elevational view thereof.
 FIG. 1 has been drawn on a smaller scale with respect to FIGS. 2 through 6.



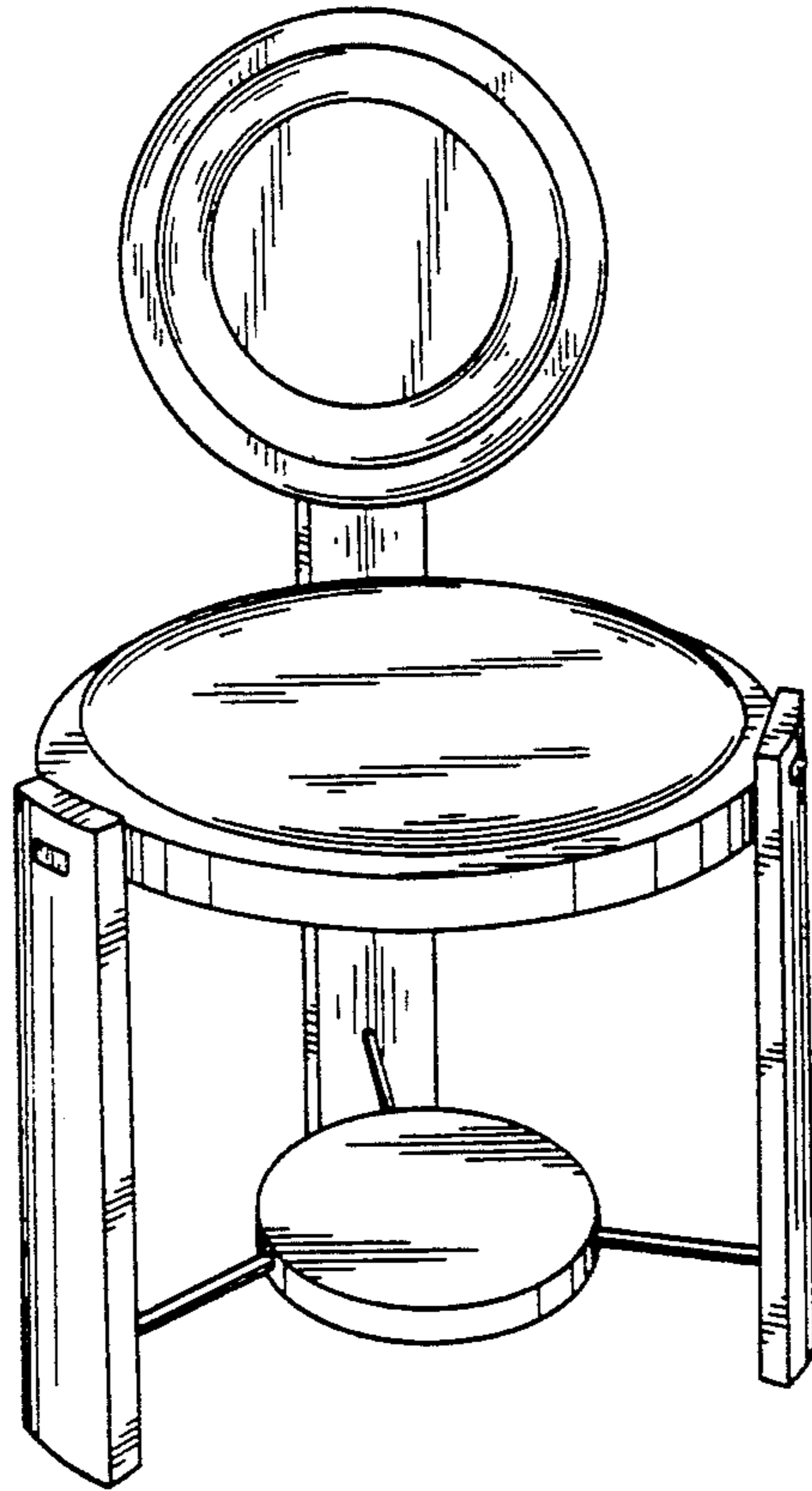


FIG. 1

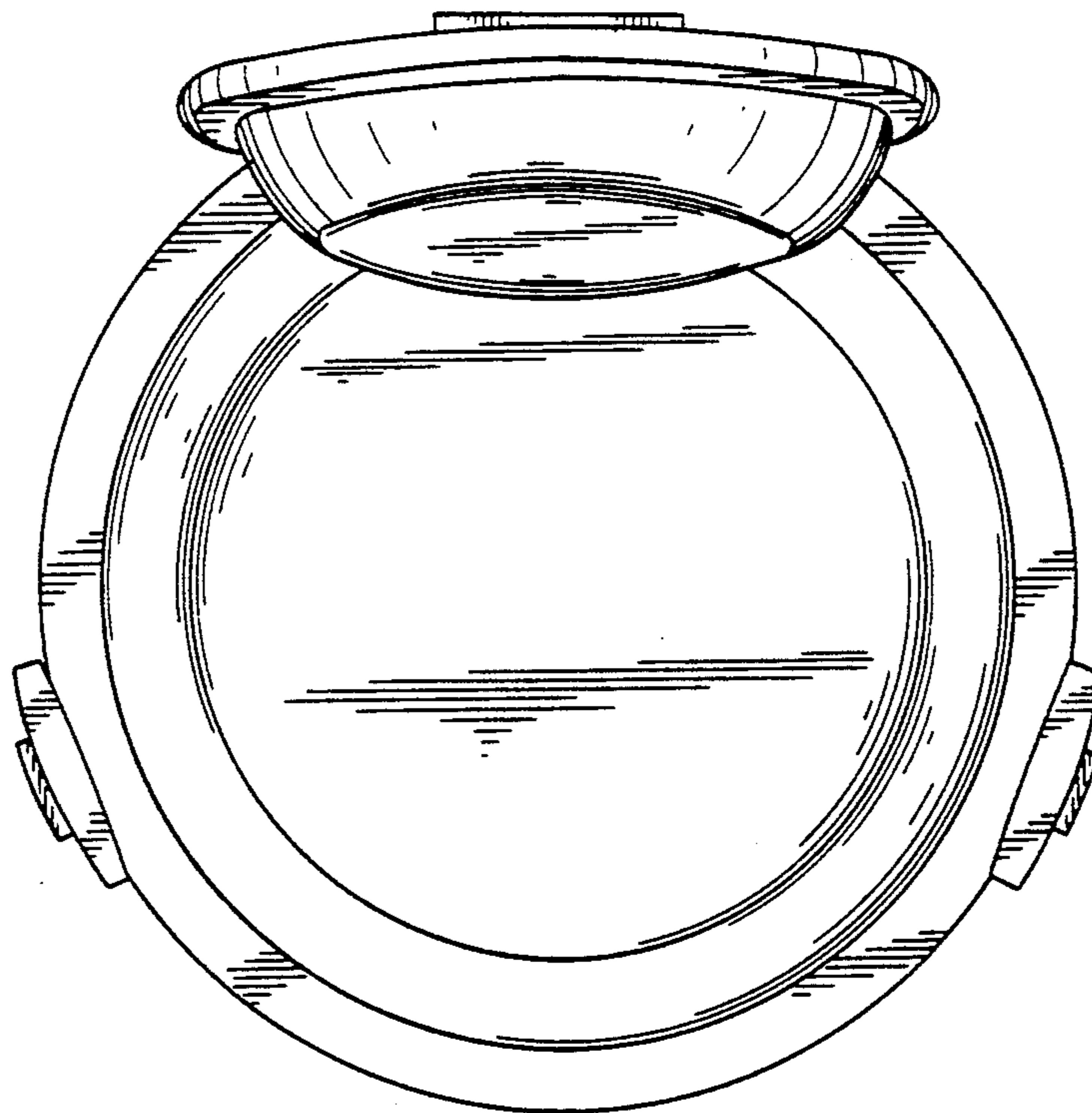


FIG. 2

