



US00D326365S

# United States Patent [19]

[11] Patent Number: Des. 326,365

Stevens et al.

[45] Date of Patent: \*\* May 26, 1992

[54] APPAREL HANGER

4,542,838 9/1985 Perez-Tubens et al. .... 223/87

[75] Inventors: Carl S. Stevens; Charles L. Nesbit, Jr.; Larry C. White, all of Winston-Salem, N.C.

Primary Examiner—B. J. Bullock

[73] Assignee: Bali Company, Winston-Salem, N.C.

[57] CLAIM

[\*\*] Term: 14 Years

The ornamental design for an apparel hanger, as shown and described.

[21] Appl. No.: 529,263

### DESCRIPTION

[22] Filed: May 29, 1990

[52] U.S. Cl. .... D6/315

[58] Field of Search ..... D6/315, 513; 211/113; 223/85, 87

FIG. 1 is a front elevational view of an apparel hanger showing our new design, the rear being a mirror image; FIG. 2 is a front perspective view thereof;

FIG. 3 is a front elevational view of a second embodiment of the design of FIG. 1, the rear being a mirror image;

FIG. 4 is a front perspective view of FIG. 3;

FIG. 5 is a front elevational view of a third embodiment of the design of FIG. 1, the rear being a mirror image;

FIG. 6 is a front perspective view of FIG. 5;

FIG. 7 is a front elevational view of a fourth embodiment of the design of FIG. 1, the rear being a mirror image;

FIG. 8 is a front perspective view of FIG. 7;

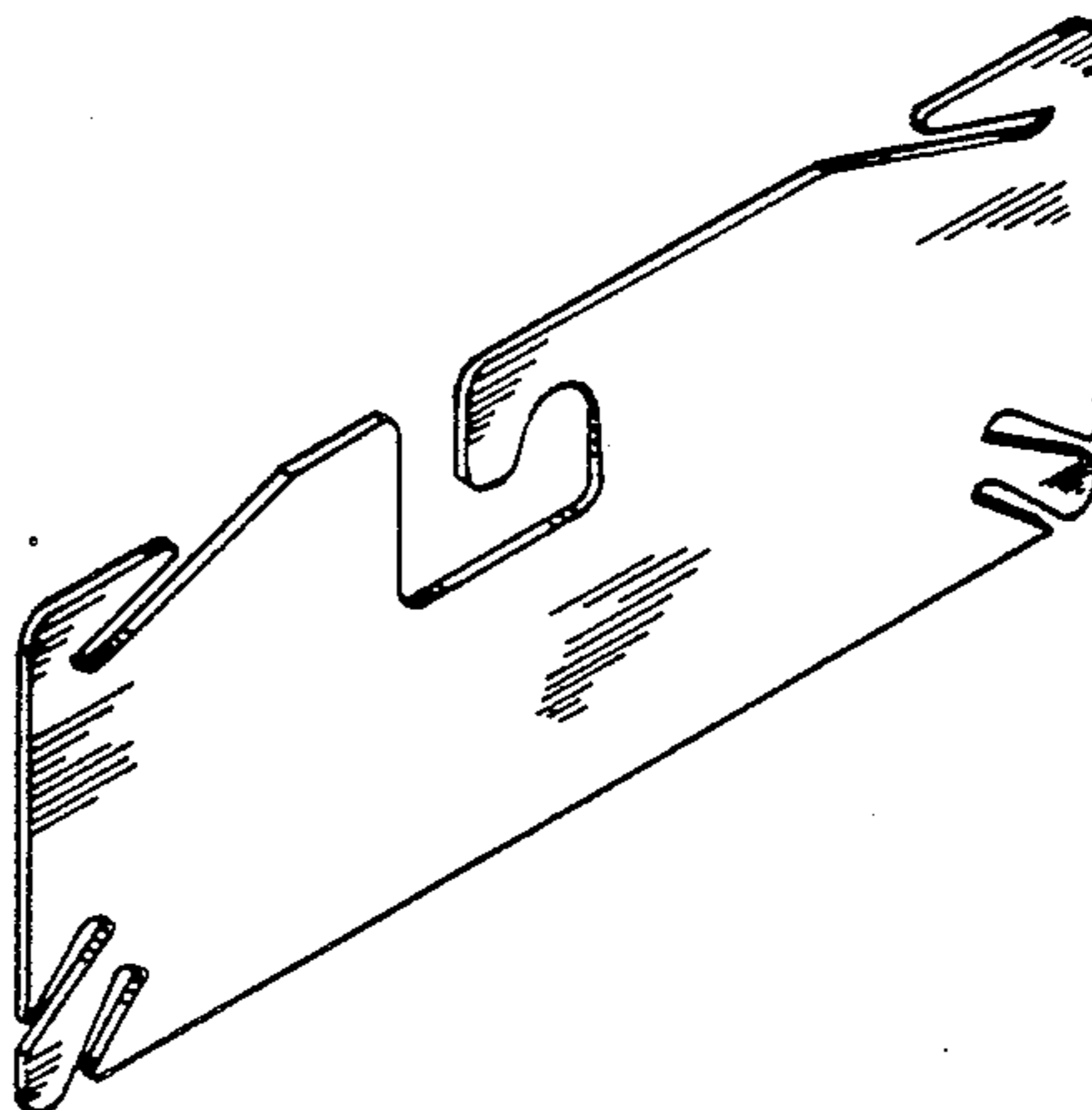
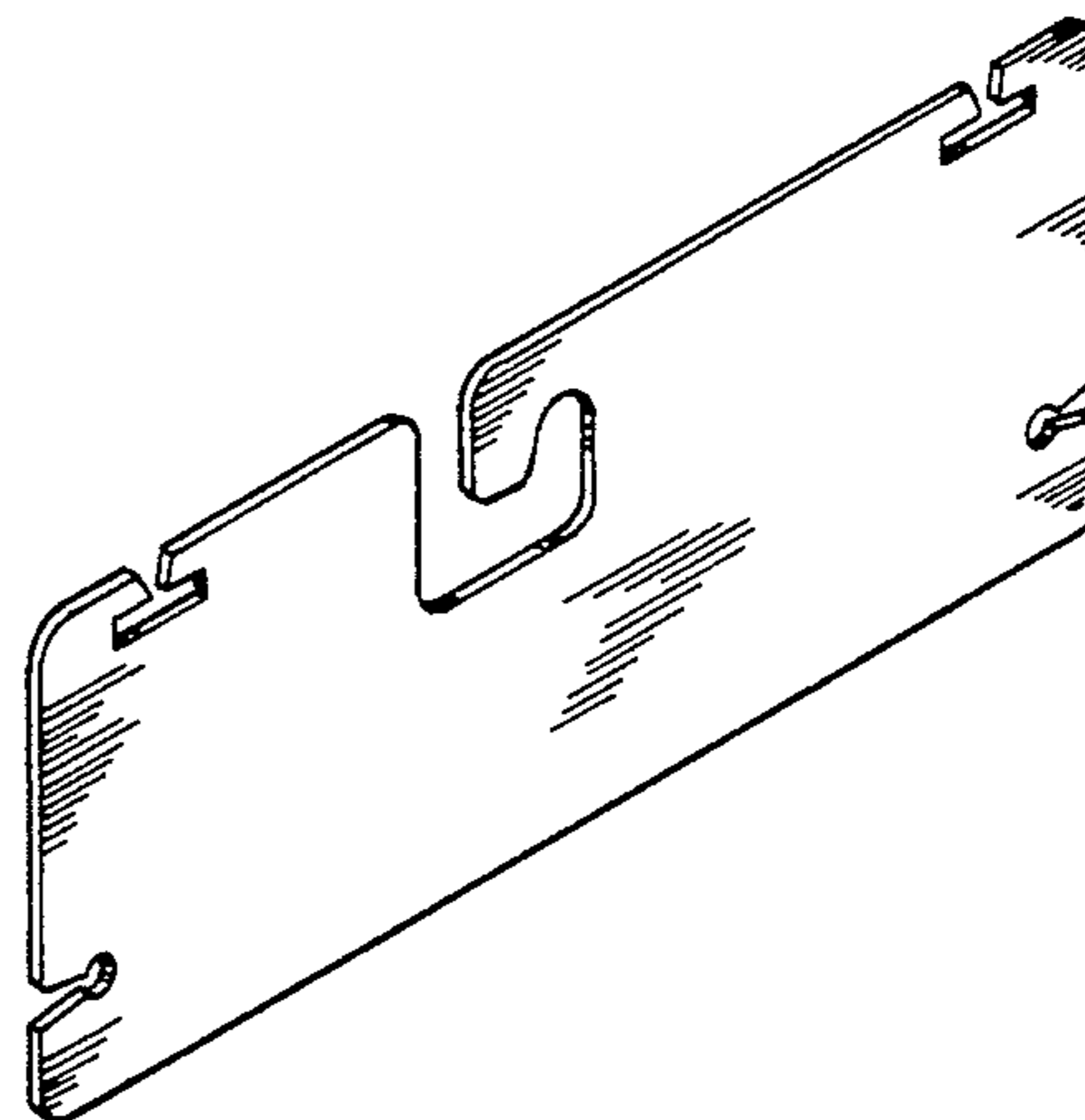
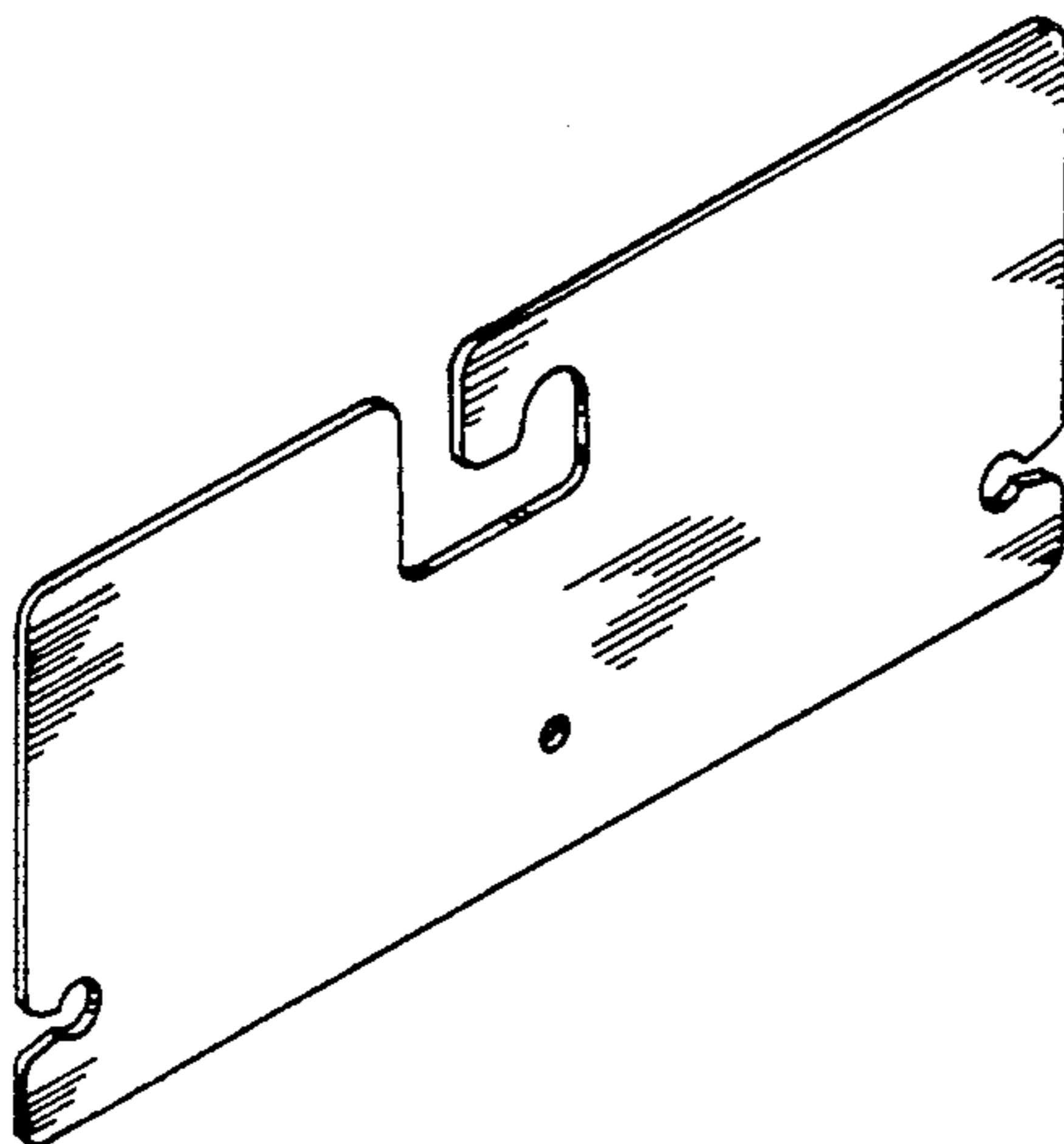
FIG. 9 is a front elevational view of a fifth embodiment of the design of FIG. 1, the rear being a mirror image; and,

FIG. 10 is a front perspective view of FIG. 9.

### [56] References Cited

#### U.S. PATENT DOCUMENTS

D. 187,092	1/1960	Charak .	
D. 264,789	6/1982	Zyla et al. ....	D6/315
D. 283,468	4/1986	Steinhilber .....	D6/315
D. 314,984	2/1991	Hass .....	D6/315
2,099,596	11/1937	Bruening .....	223/87
2,279,777	4/1942	Dean .....	223/88
3,414,175	12/1968	Brosk .....	D6/315
3,650,442	3/1972	Berns .....	223/87
3,997,091	12/1976	Burnette .....	223/87
4,148,421	4/1979	Levitt .....	223/87



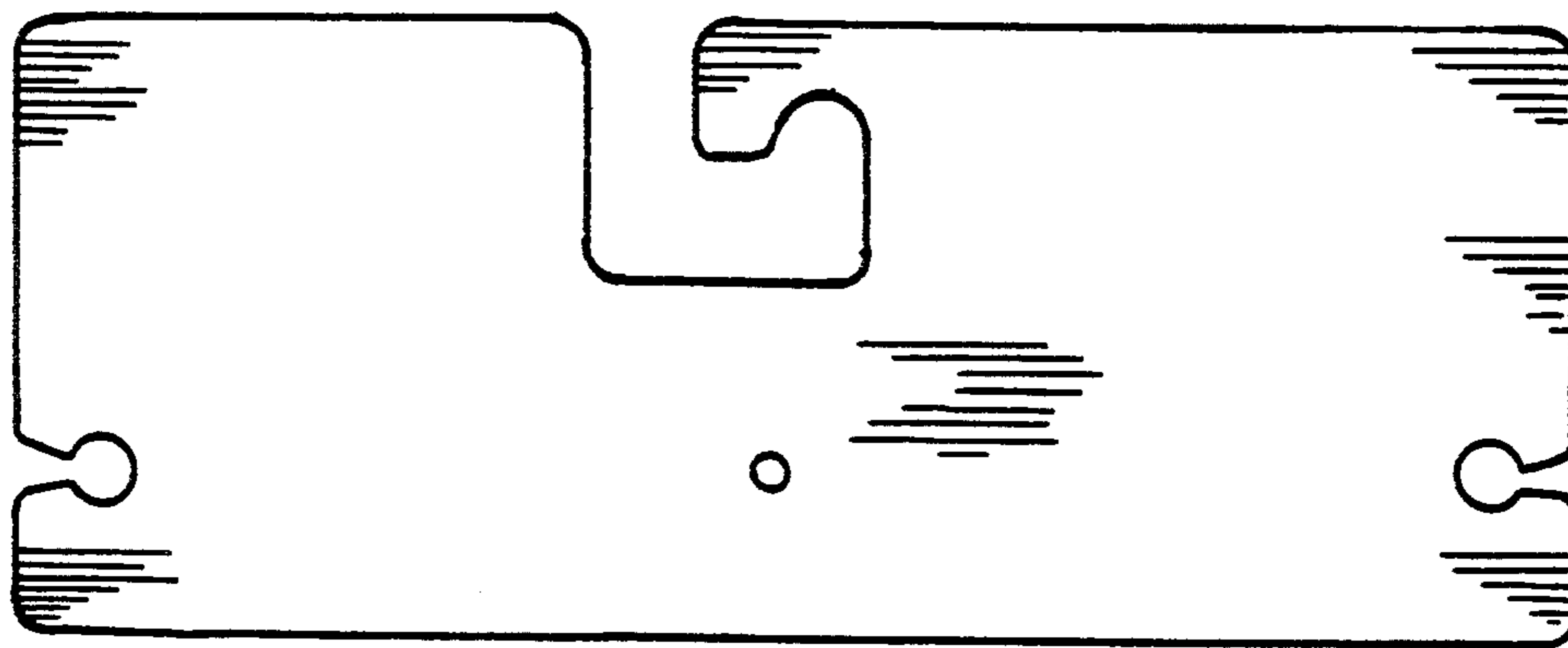


FIG. 1

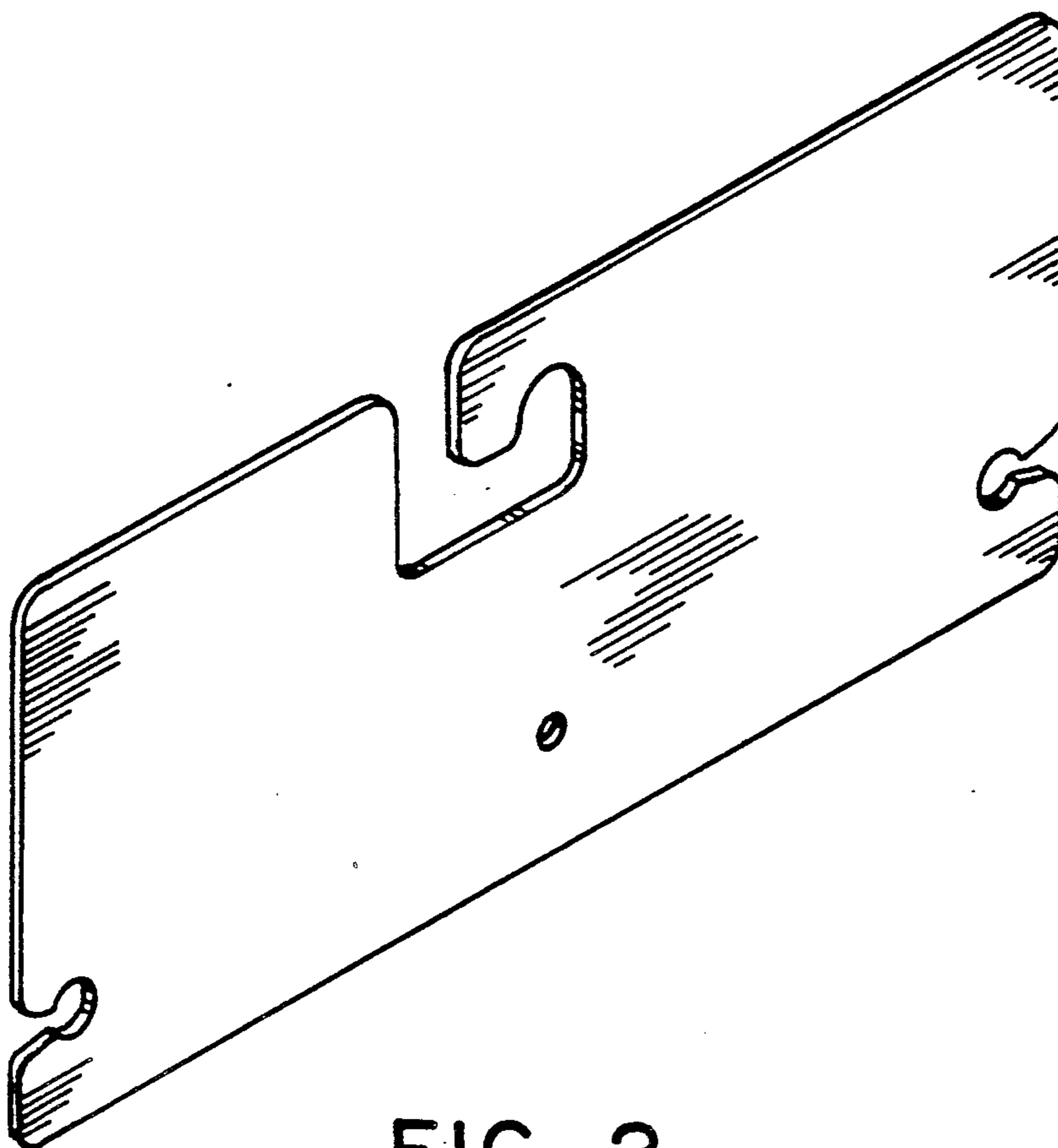


FIG. 2

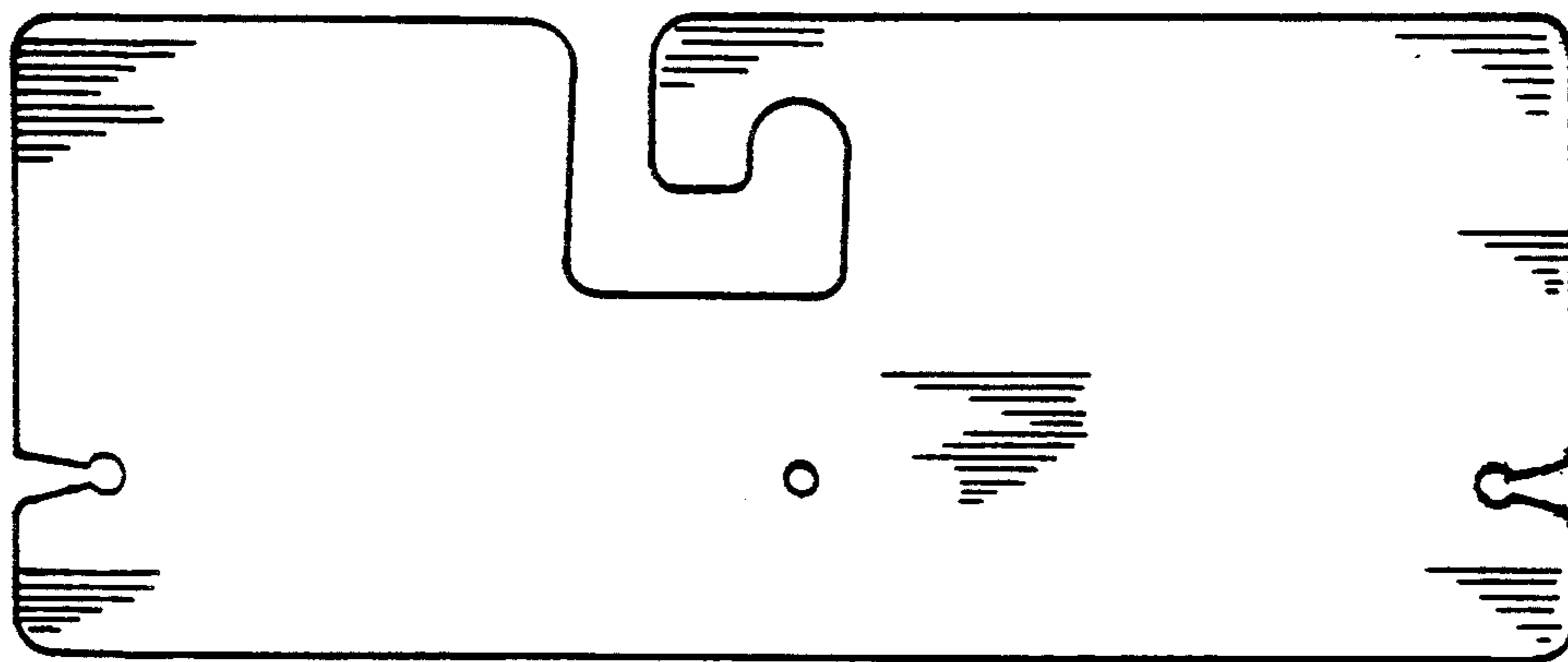


FIG. 3

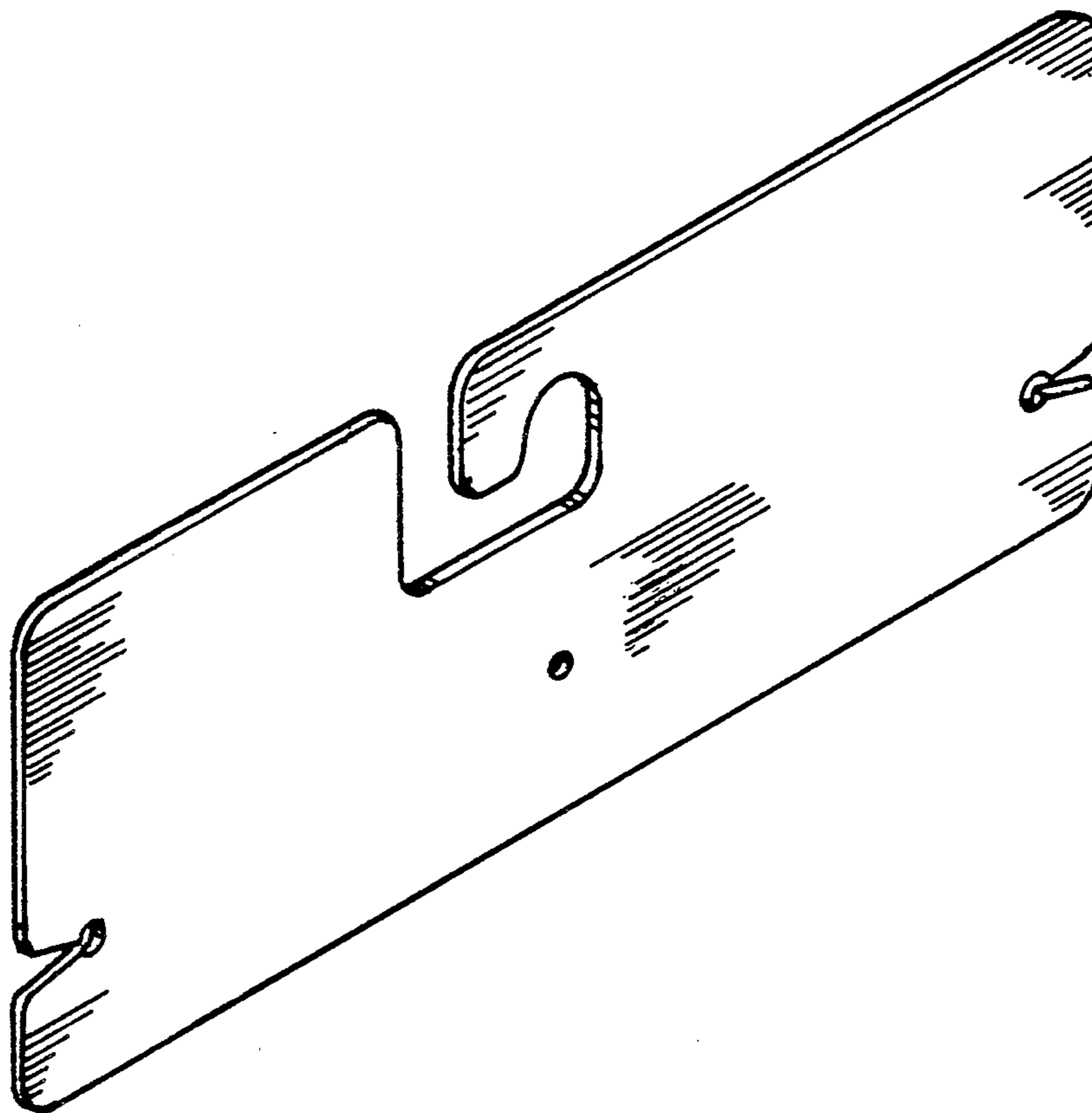


FIG. 4

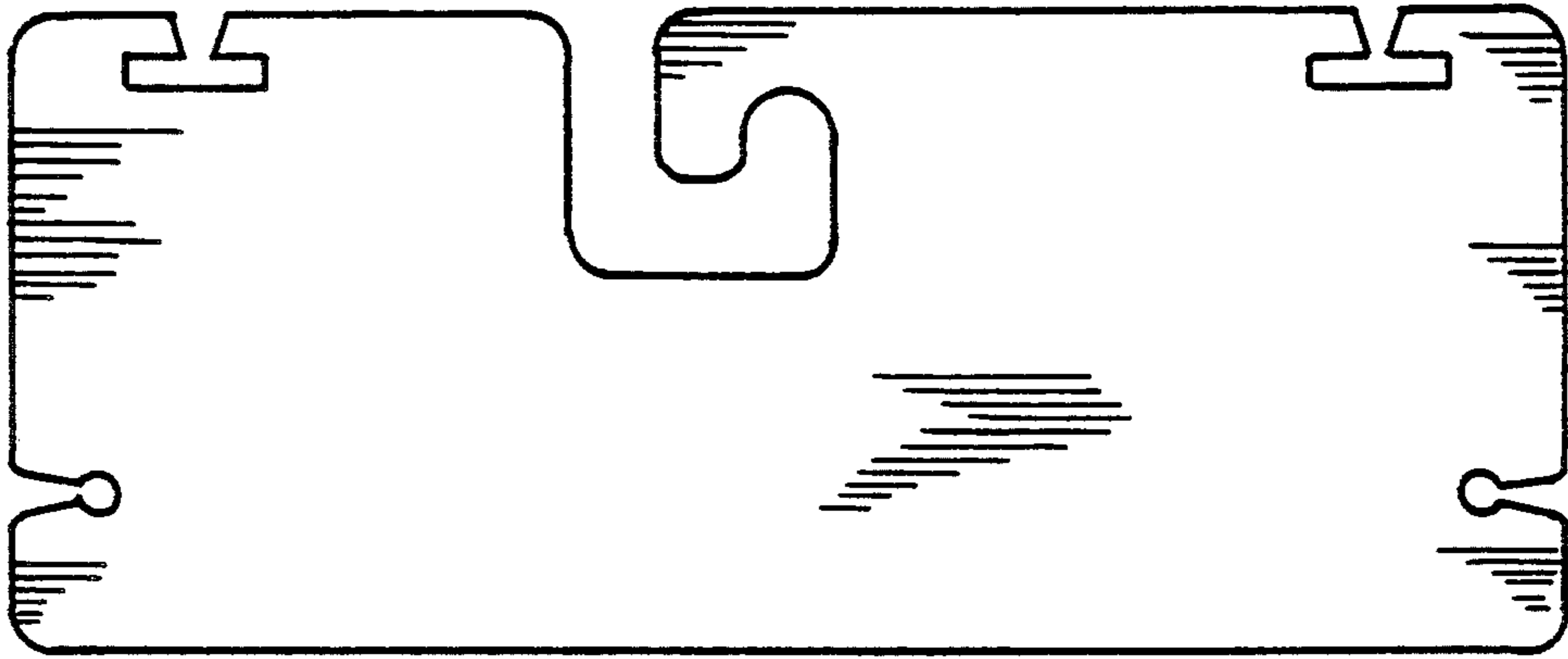


FIG. 5

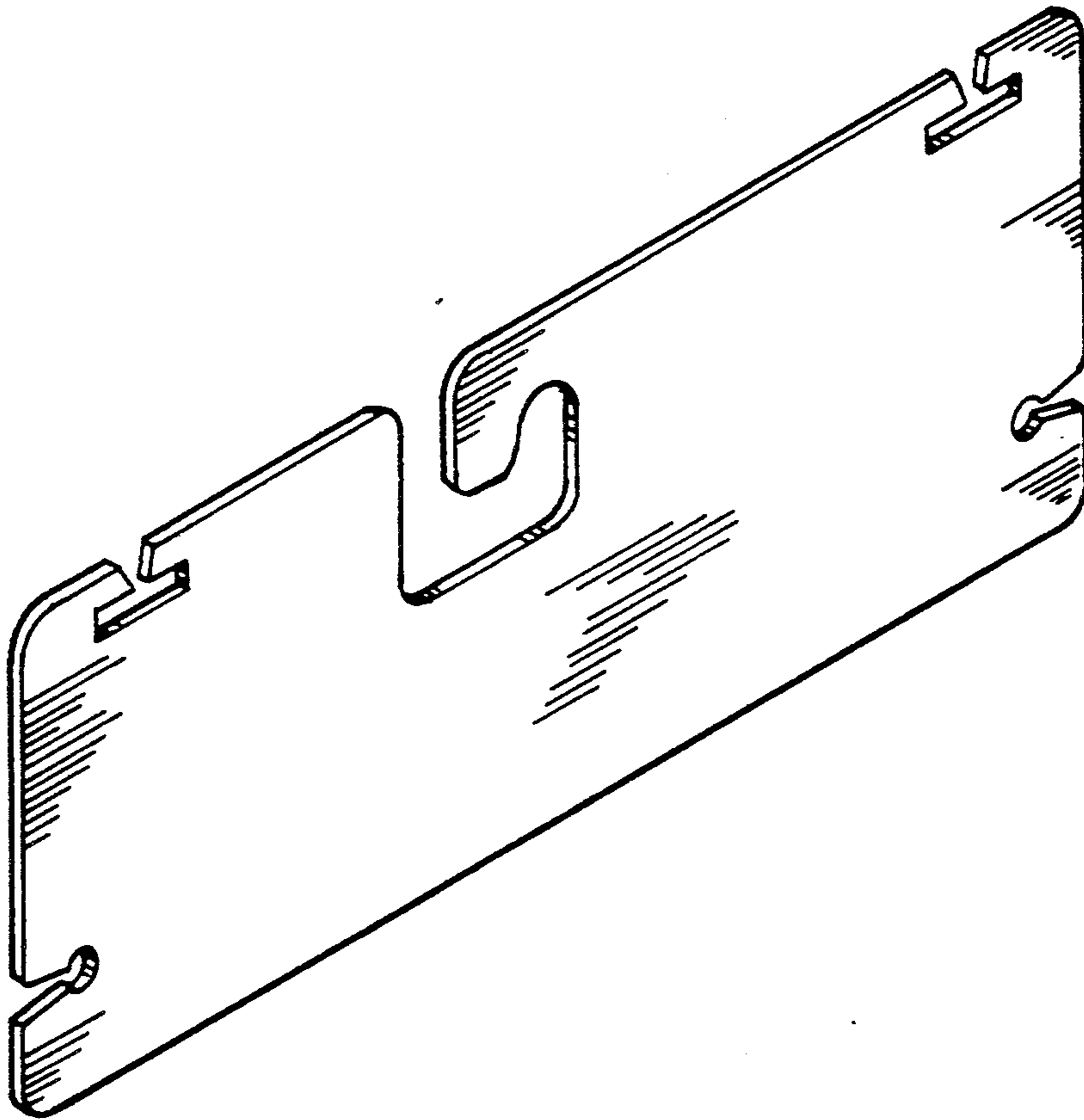


FIG. 6

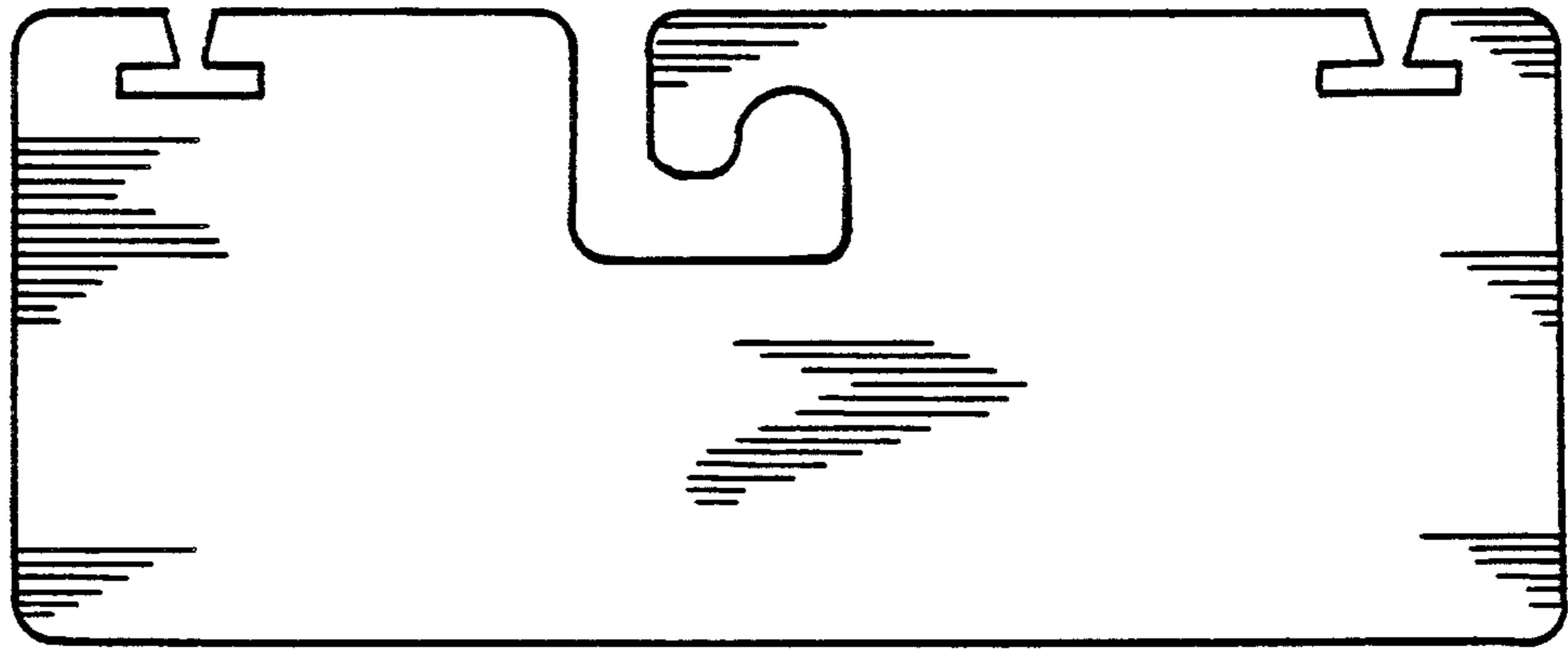


FIG. 7

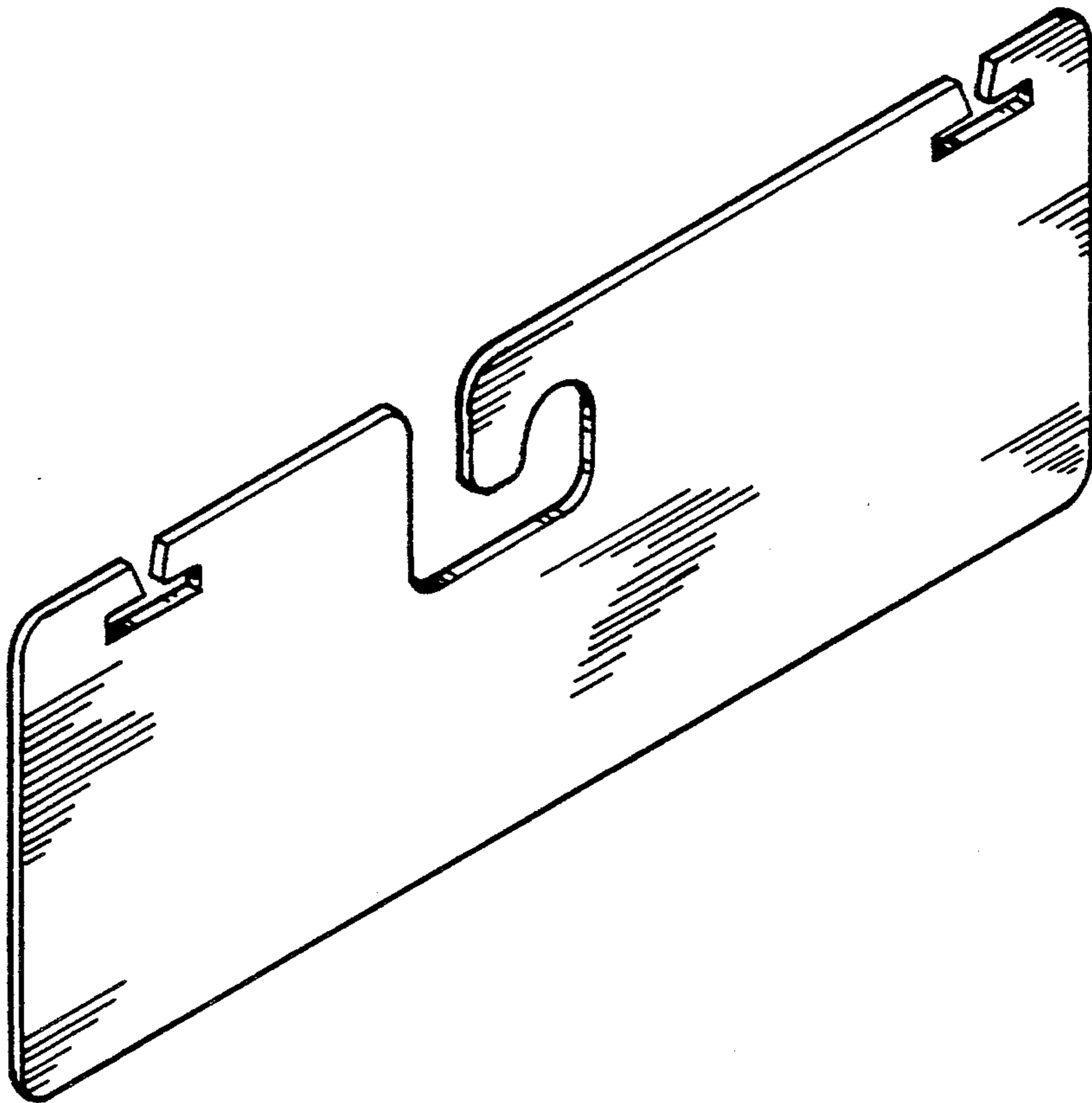


FIG. 8

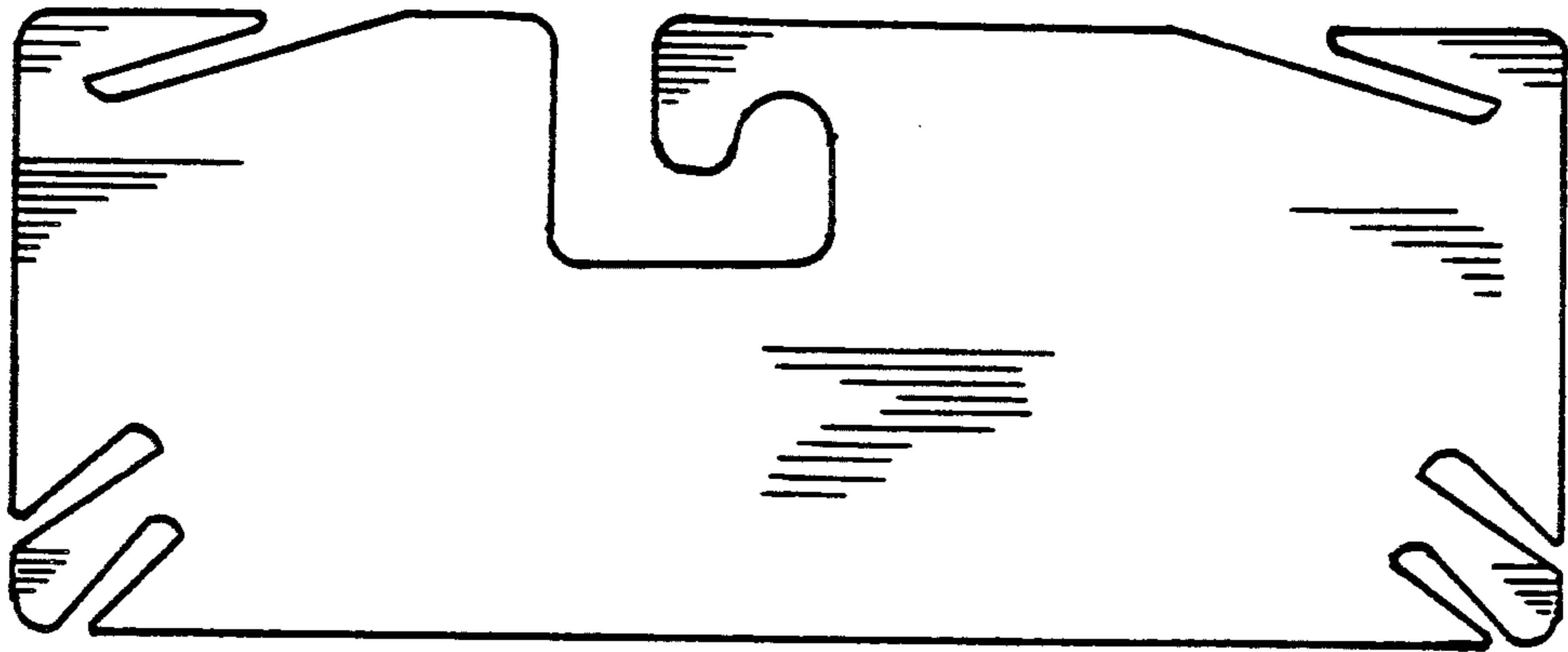


FIG. 9

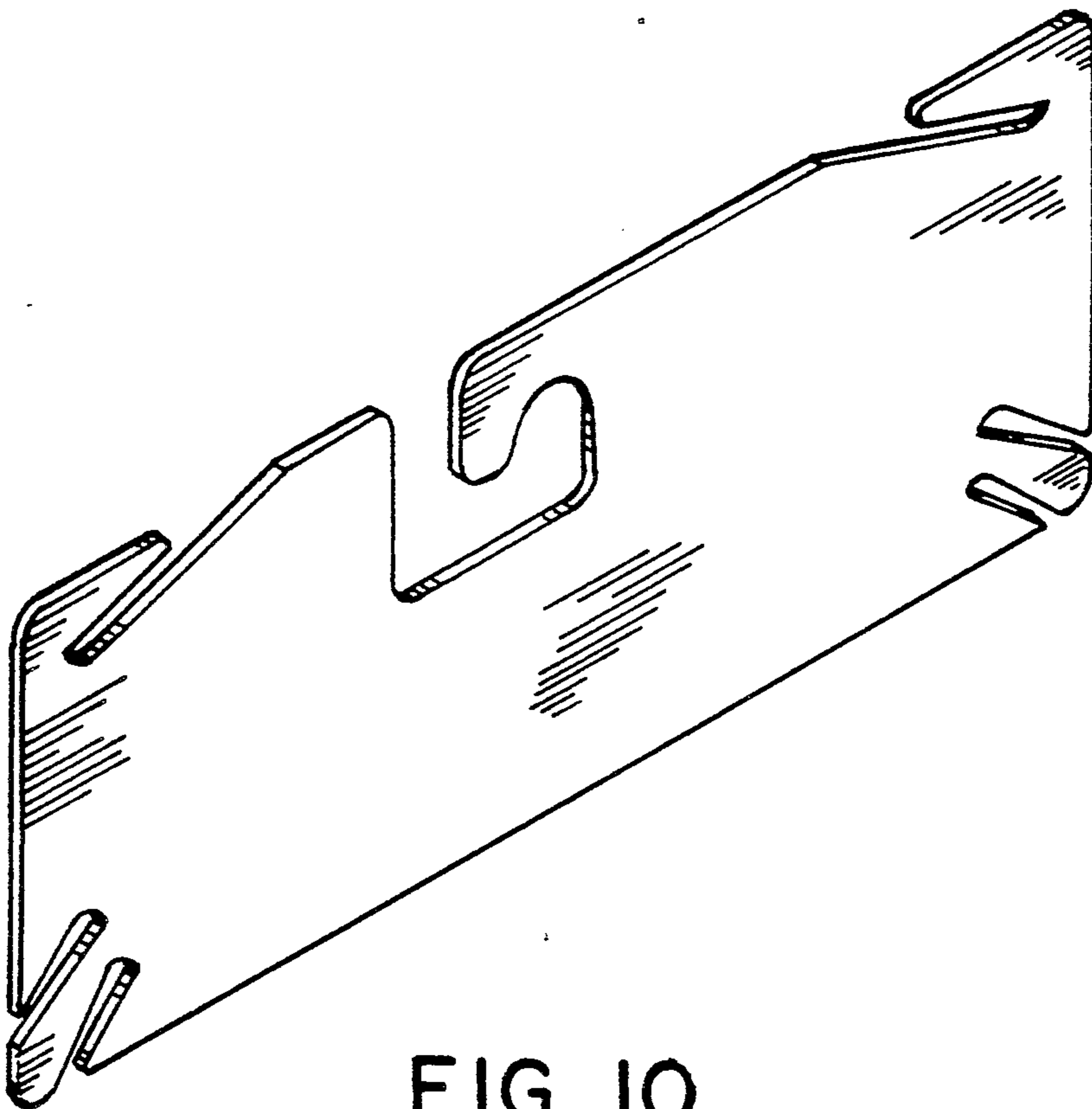


FIG. 10