



US00D326362S

# United States Patent [19]

Bertwell

[11] Patent Number: Des. 326,362

[45] Date of Patent: \*\* May 26, 1992

[54] BRUSH FOR GROOMING ANIMALS

4,343,265 8/1982 Belscher ..... 119/83

[76] Inventor: Dale E. Bertwell, 2100 S. Dayton, Denver, Colo. 80231

[\*\*] Term: 14 Years

[21] Appl. No.: 445,015

[22] Filed: Dec. 4, 1989

[52] U.S. Cl. .... D4/136; D30/158

[58] Field of Search ..... D4/114, 116, 127, 130, D4/134, 136-138, 199; D28/63; D30/158; D32/35, 40, 52; D24/211, 214-215; 15/146, 159 R, 159 A, 160, 186-188; 119/83-93; 128/62 R, 62 A, 64-65, 67

[56] References Cited

### U.S. PATENT DOCUMENTS

D. 88,356	11/1932	Johnson	.....	D4/130
D. 89,433	3/1933	Aufsesser	.....	D4/130
D. 89,461	3/1933	Aufsesser	.....	D4/130
D. 120,843	5/1940	Weber	.....	D4/130
D. 227,319	6/1973	Small	.....	D4/127
D. 295,118	4/1988	Valenza	.....	D4/114

### OTHER PUBLICATIONS

Sporting Dog Specialties, Jan. 1989, Rubber Curry Brush, Item M, #RO5-0031, p. 22.

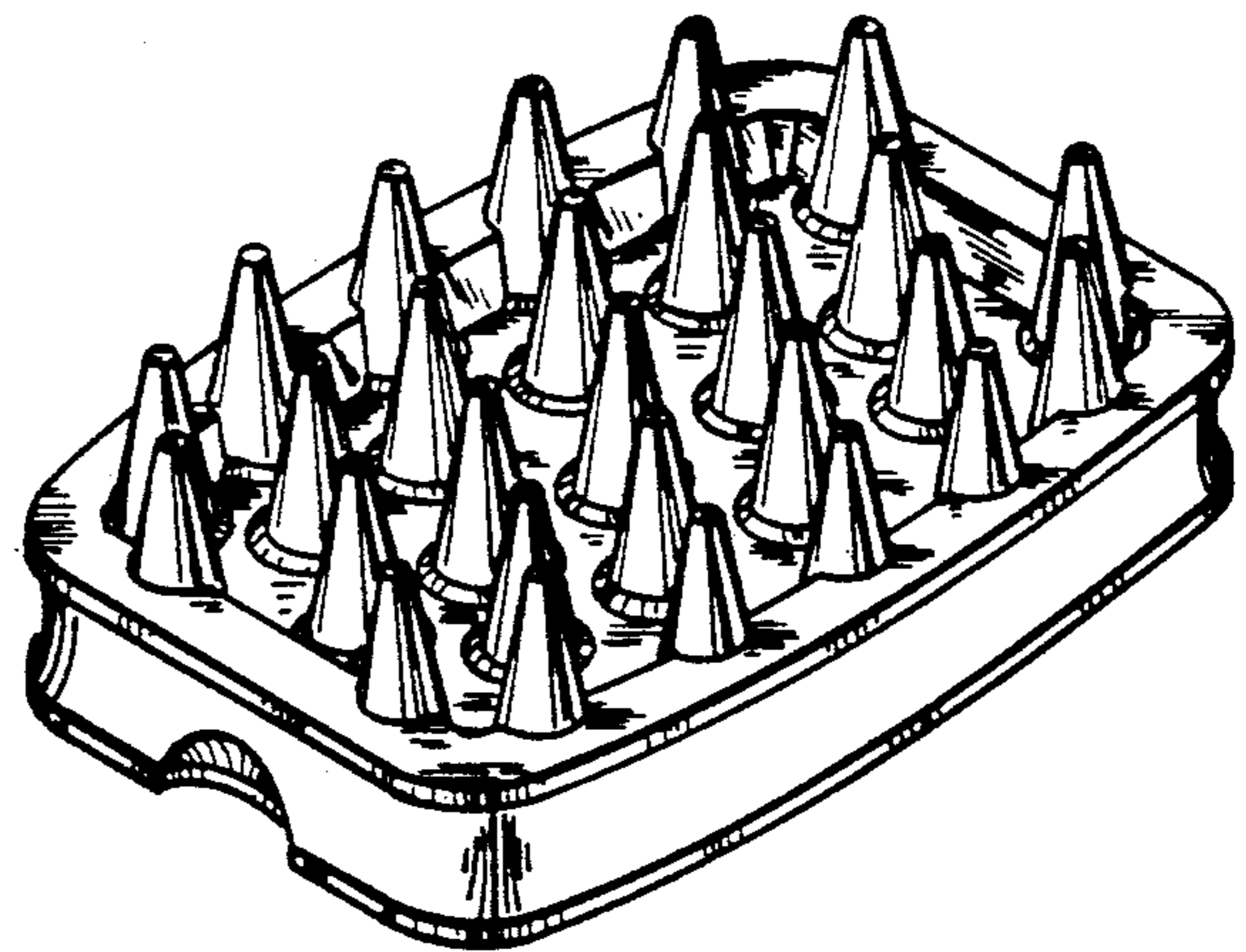
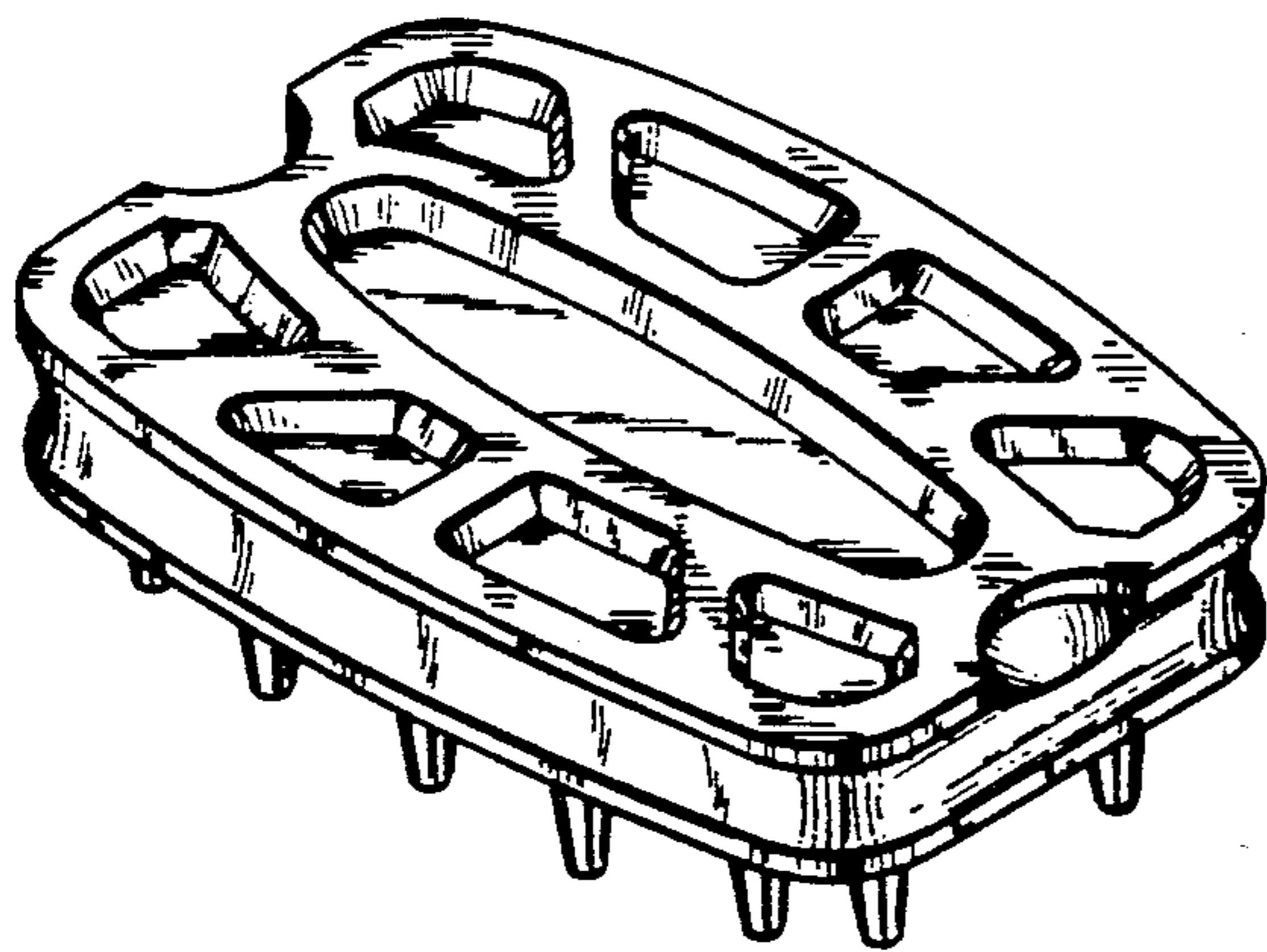
Primary Examiner—Wallace R. Burke  
Assistant Examiner—Lavone D. Tabor  
Attorney, Agent, or Firm—Fields, Lewis, Pittenger & Rost

### [57] CLAIM

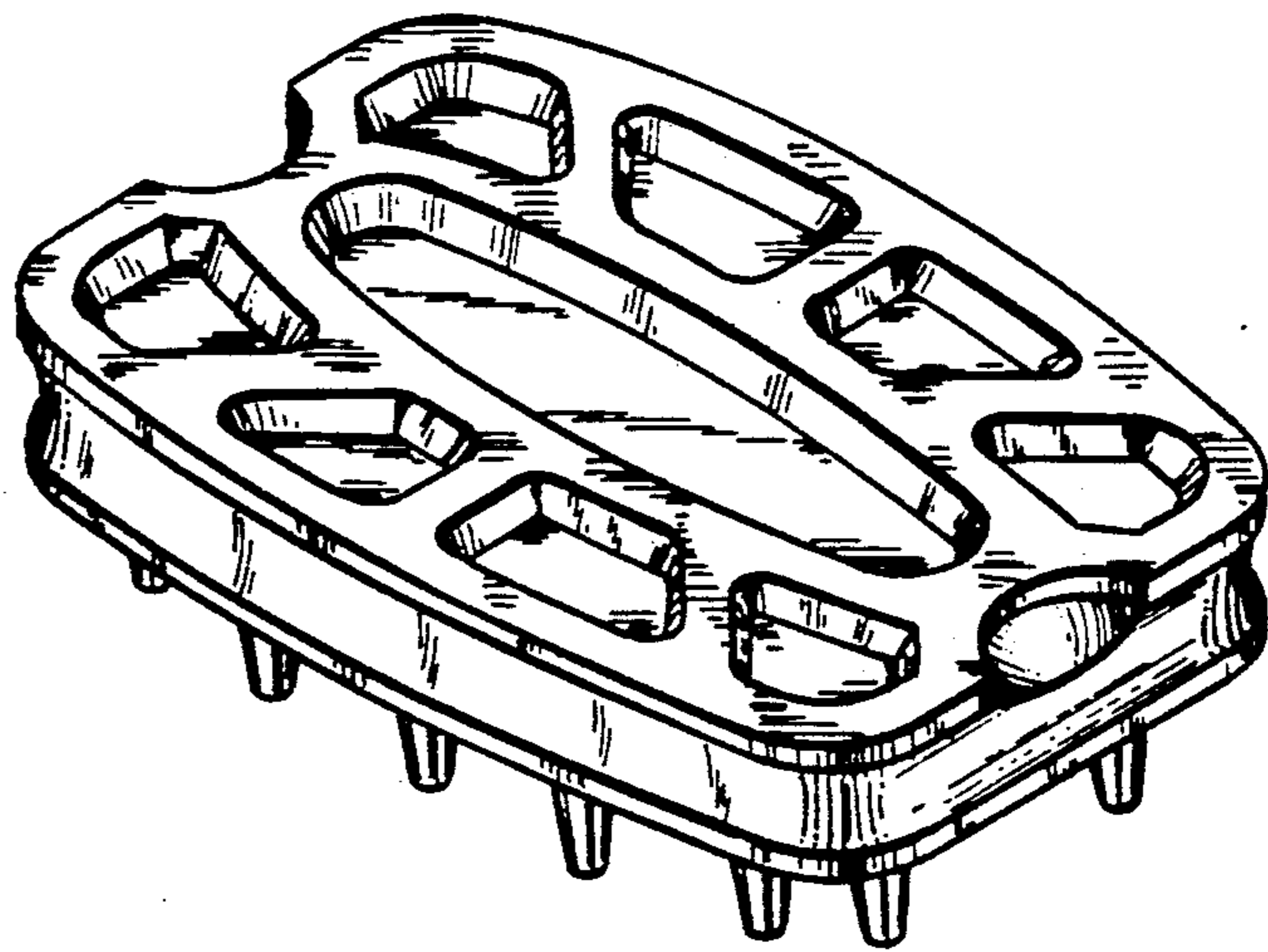
The ornamental design for a brush for grooming animals, as shown and described.

### DESCRIPTION

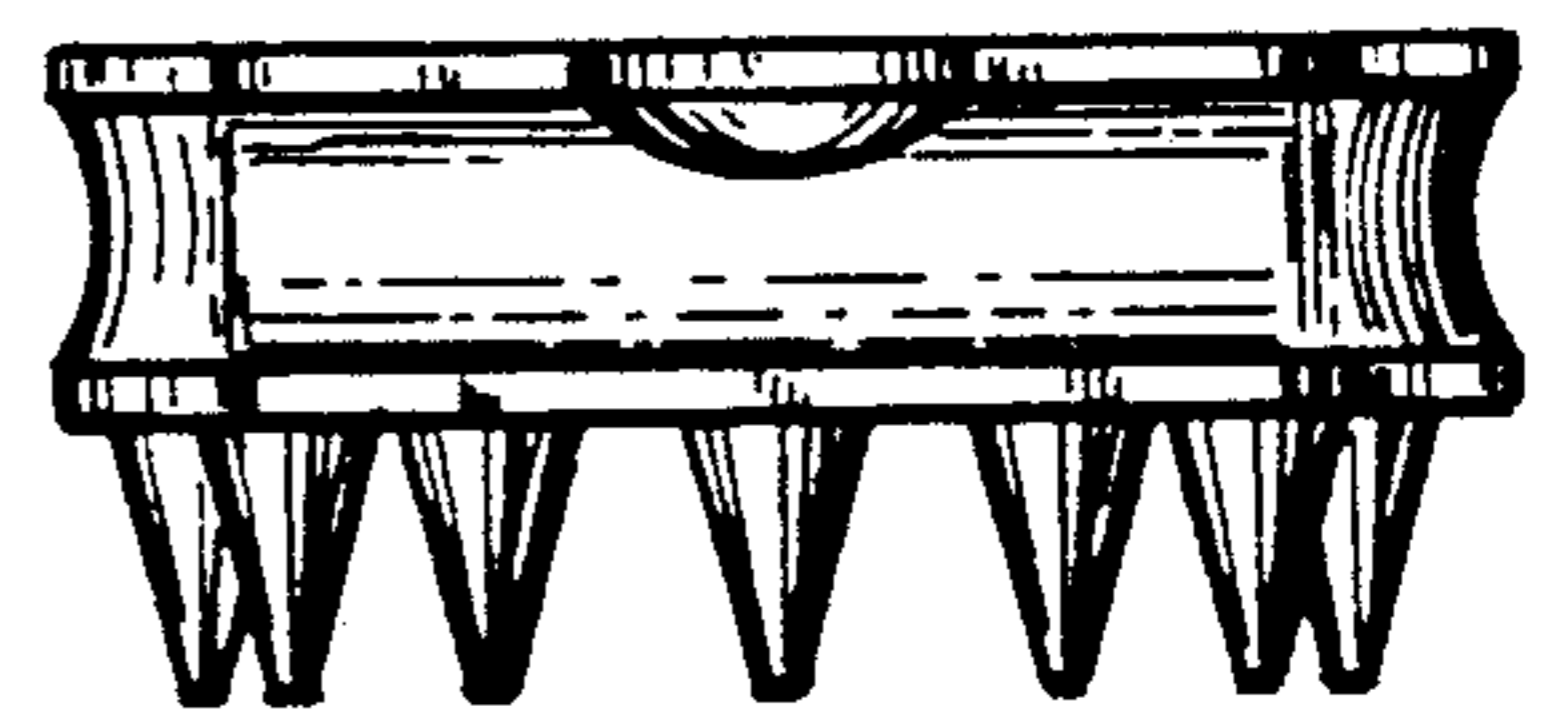
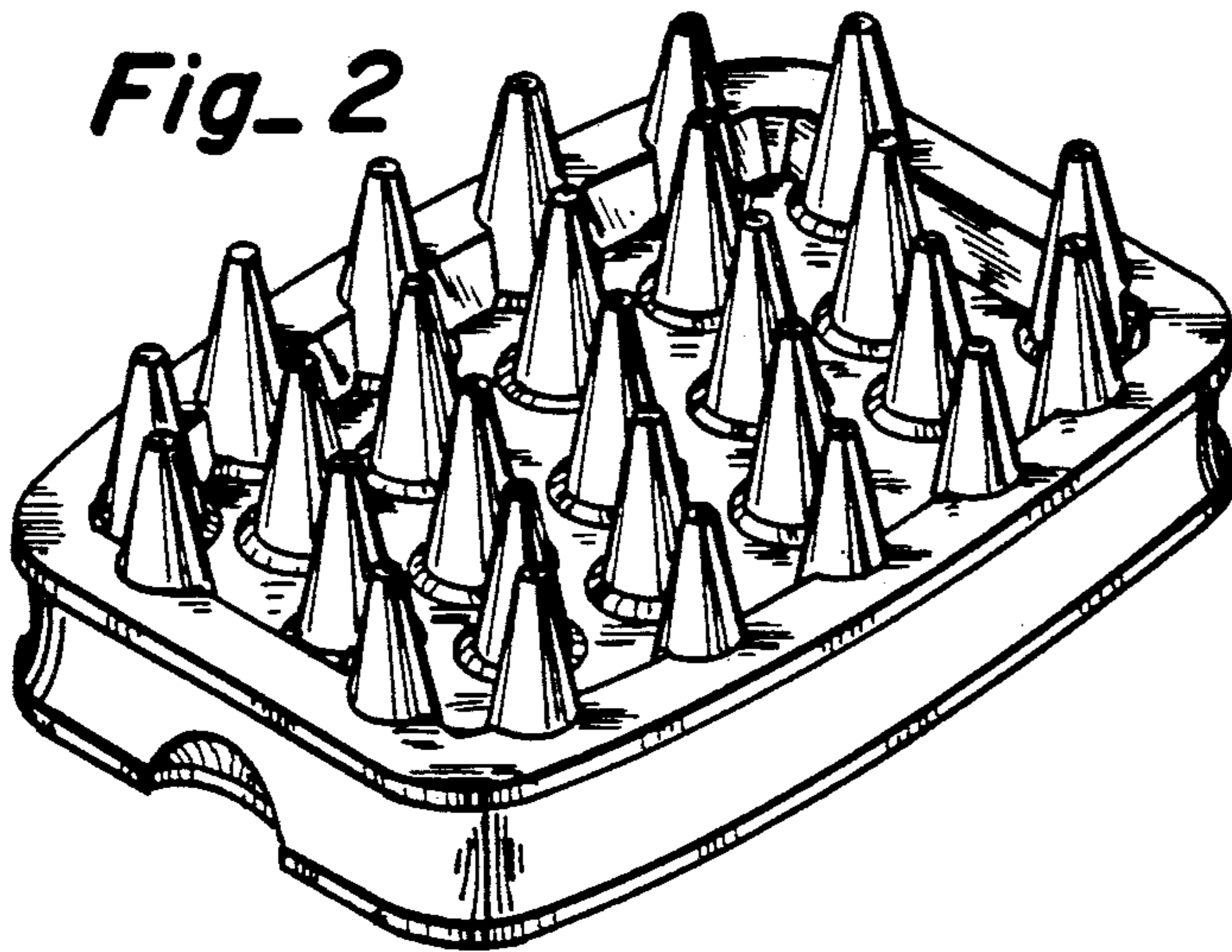
FIG. 1 is a top perspective view of a brush for grooming animals showing my new design; FIG. 2 is a bottom perspective view thereof; FIG. 3 is a bottom plan view thereof; FIG. 4 is a side elevational view thereof, the opposite side being a mirror image; FIG. 5 is an end elevational view thereof, the opposite end being a mirror image; and, FIG. 6 is a top plan view thereof.



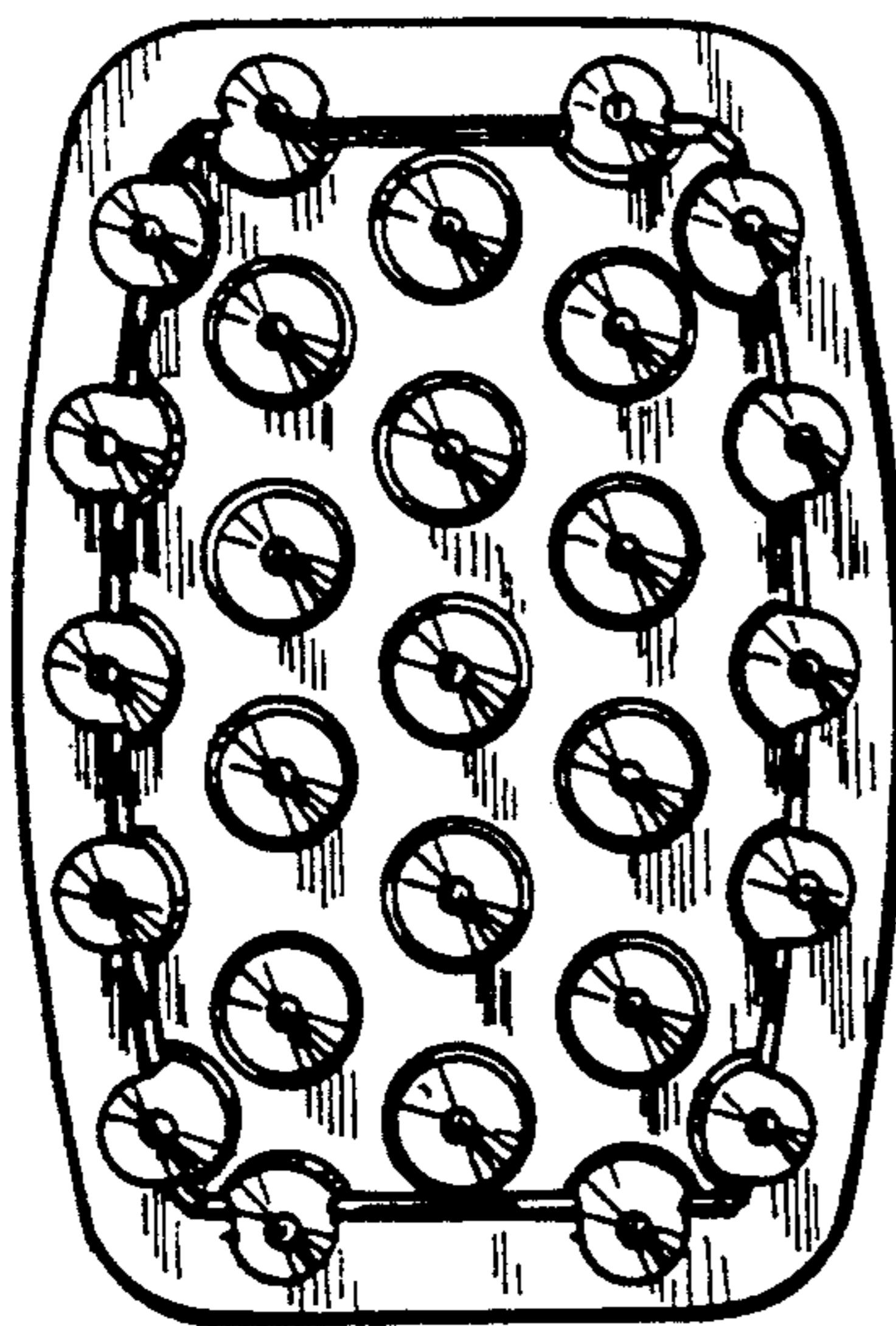
*Fig\_1*



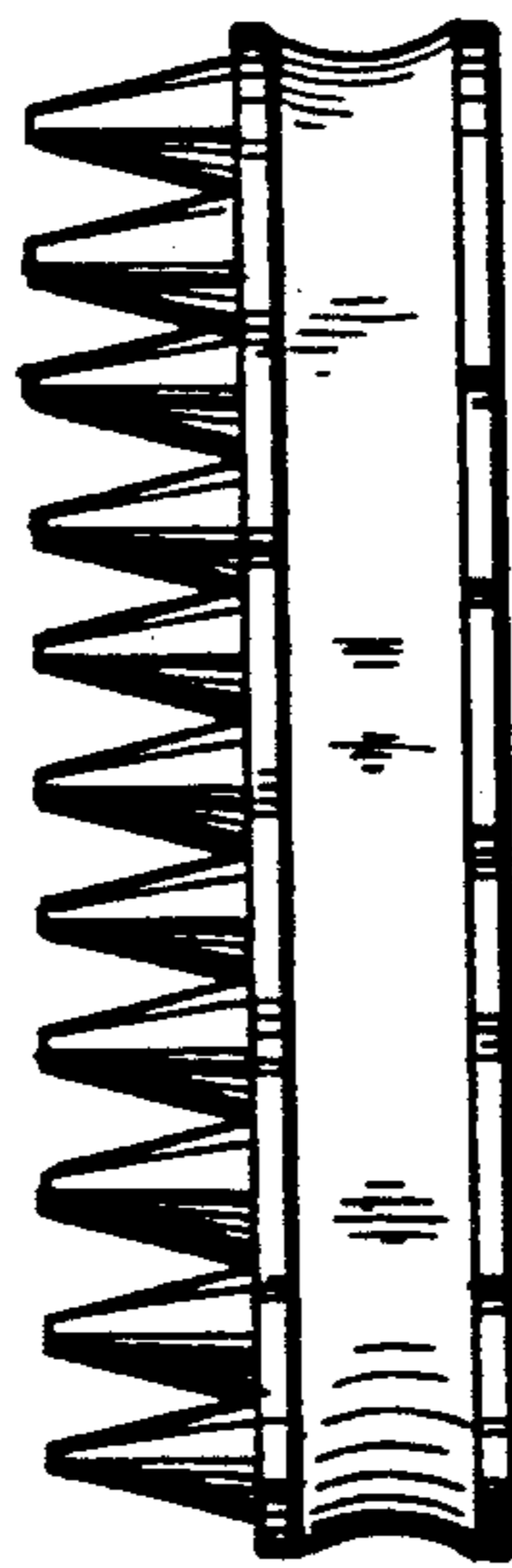
*Fig\_2*



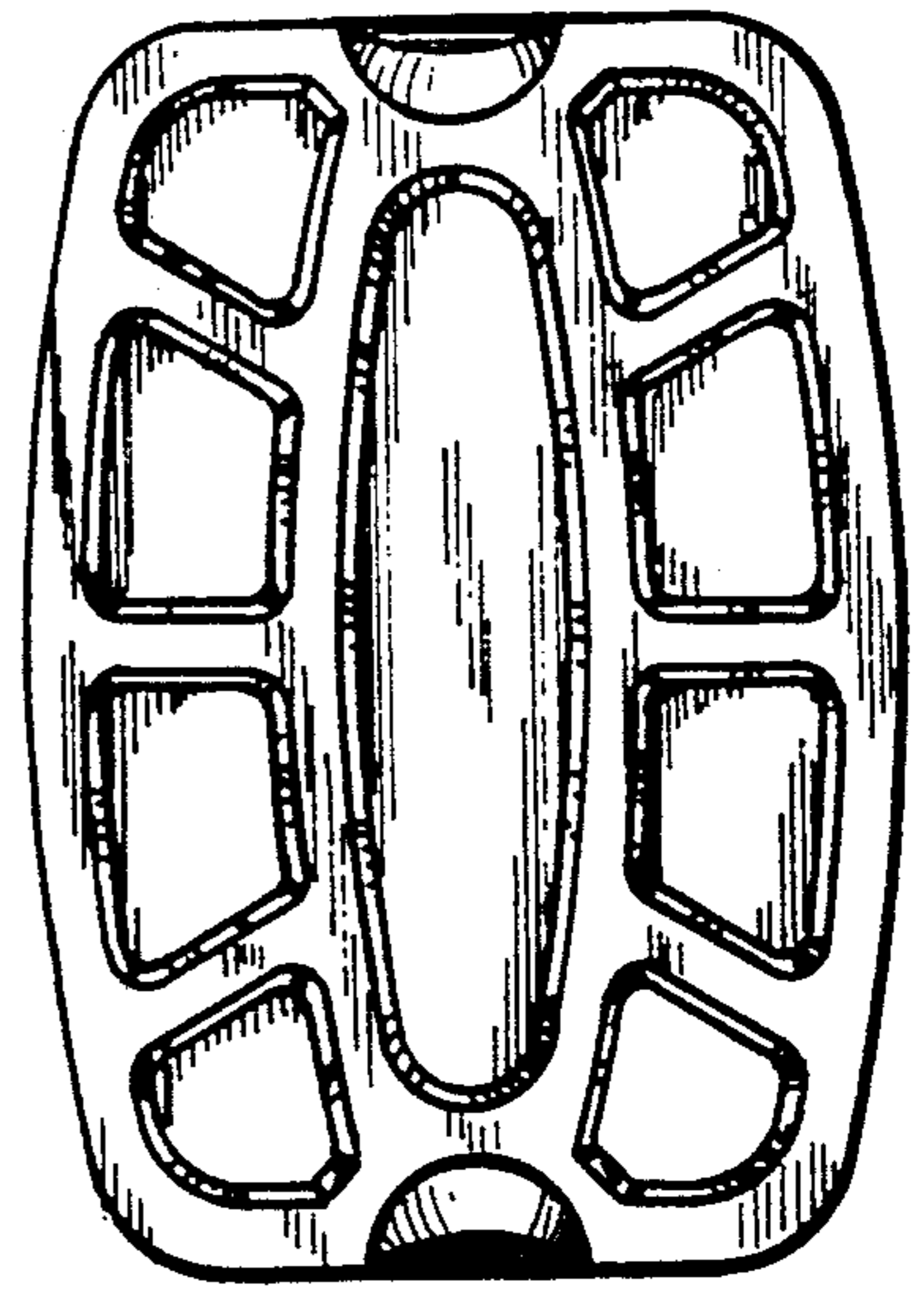
*Fig\_5*



*Fig\_3*



*Fig\_4*



*Fig\_6*