



US00D326359S

United States Patent [19]

[11] Patent Number: Des. 326,359

Friend

[45] Date of Patent: ** May 26, 1992

[54] BEVERAGE COOLER-CARRIER FOR VEHICLE VENT

[56] References Cited

U.S. PATENT DOCUMENTS

2,979,301 4/1961 Reveal 248/311.2 X
4,852,843 8/1989 Chandler 248/311.2

[76] Inventor: John H. Friend, 10200 Arno Rd., Galt, Calif. 95632

Primary Examiner—Terry A. Pfeffer

[**] Term: 14 Years

[57] CLAIM

The ornamental design for a beverage cooler-carrier for vehicle vent, as shown and described.

[21] Appl. No.: 431,131

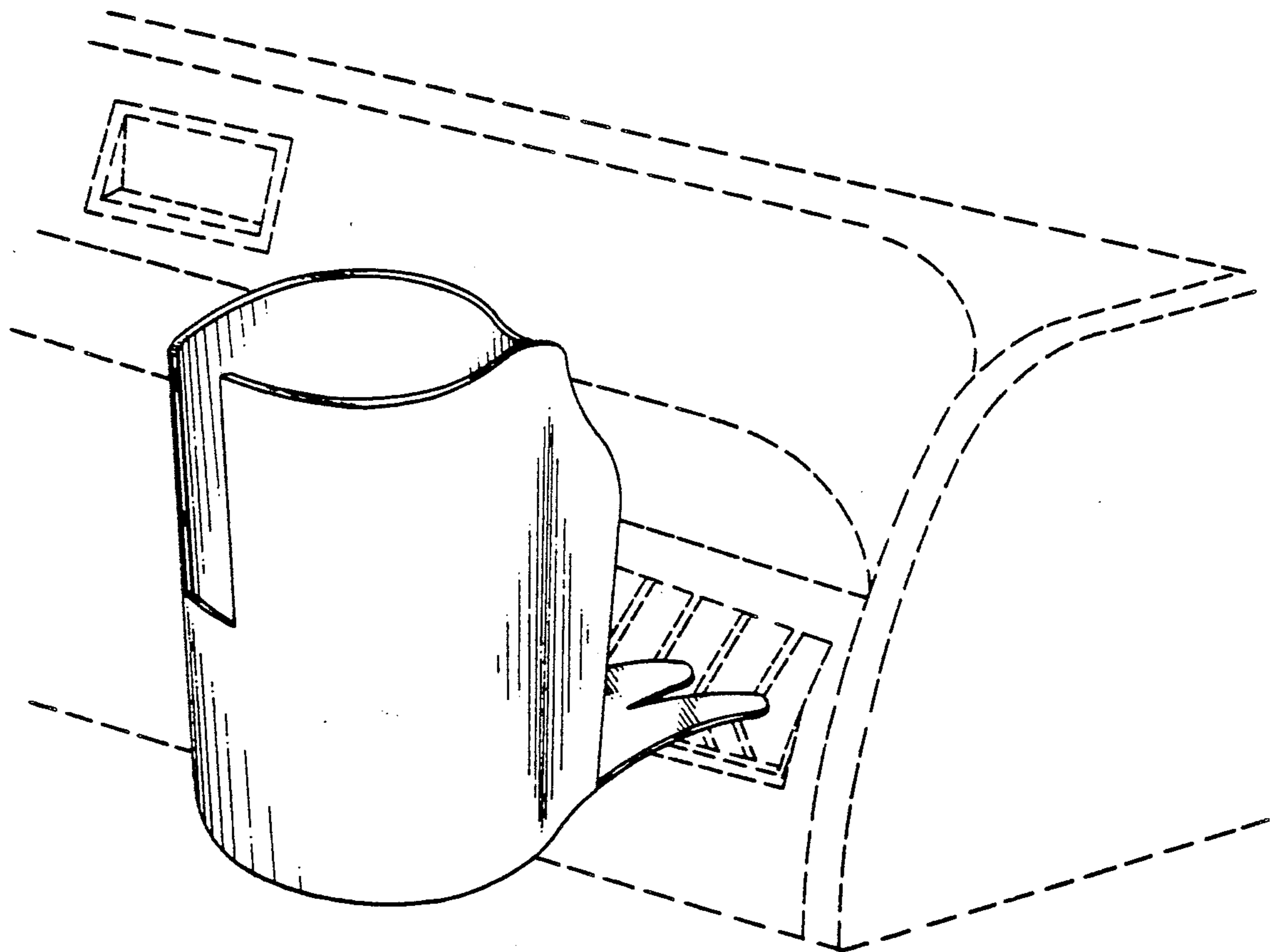
DESCRIPTION

[22] Filed: Nov. 3, 1989

FIG. 1 is a perspective view of the beverage cooler-carrier for vehicle vent showing my new design; FIG. 2 is a front, bottom perspective view thereof; and, FIG. 3 is a top, rear perspective view thereof. The broken lines in FIG. 1 are shown for illustrative purposes of environmental structure only and form no part of the claimed design.

[52] U.S. Cl. D3/40; D7/620

[58] Field of Search D7/619, 620, 622; D3/40; D6/567; D9/455; D12/155; 220/85 H; 248/311.2, 231.8; 224/42.45 R, 42.46 R, 273; 108/44-46



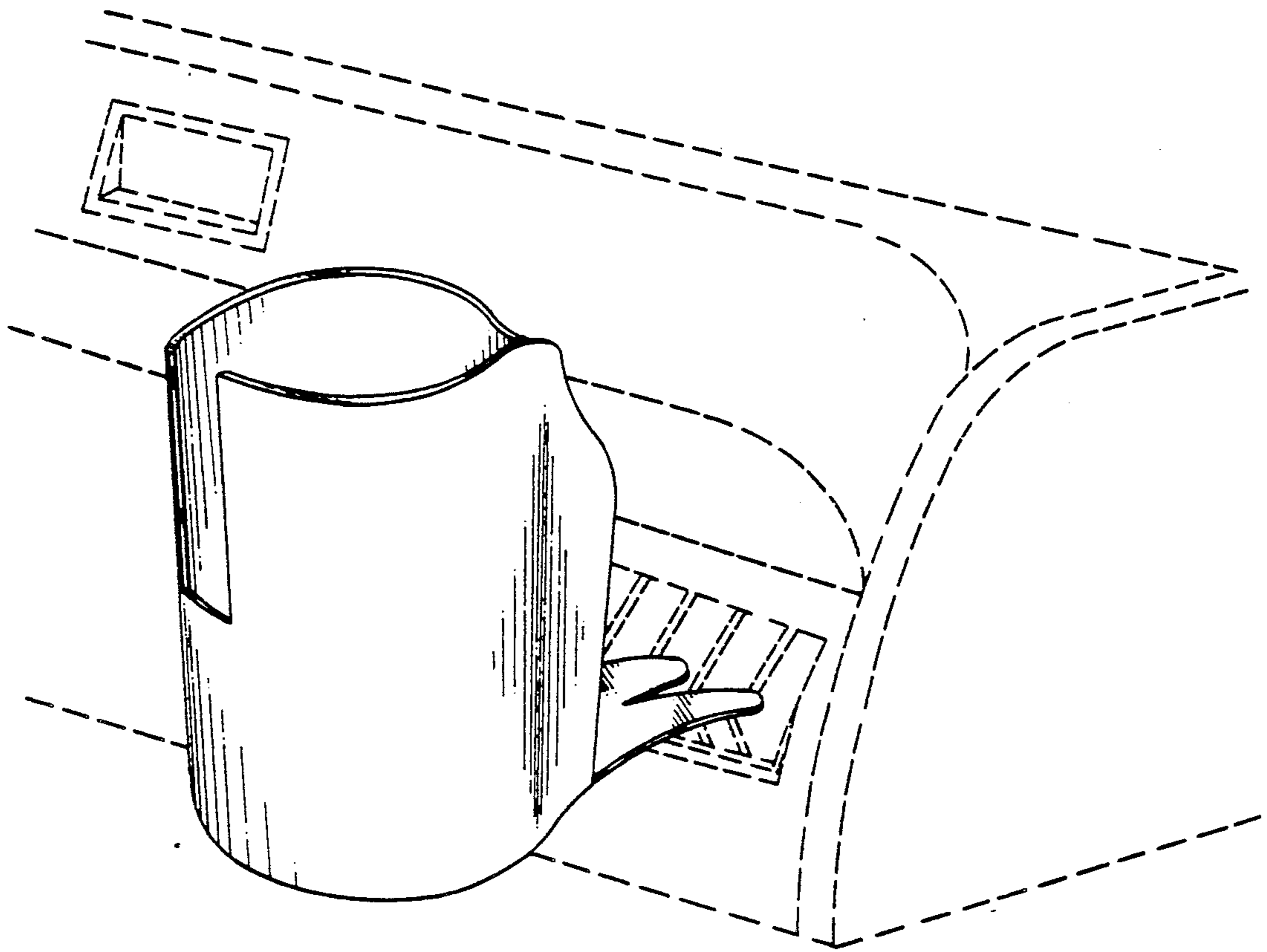


FIG. 1

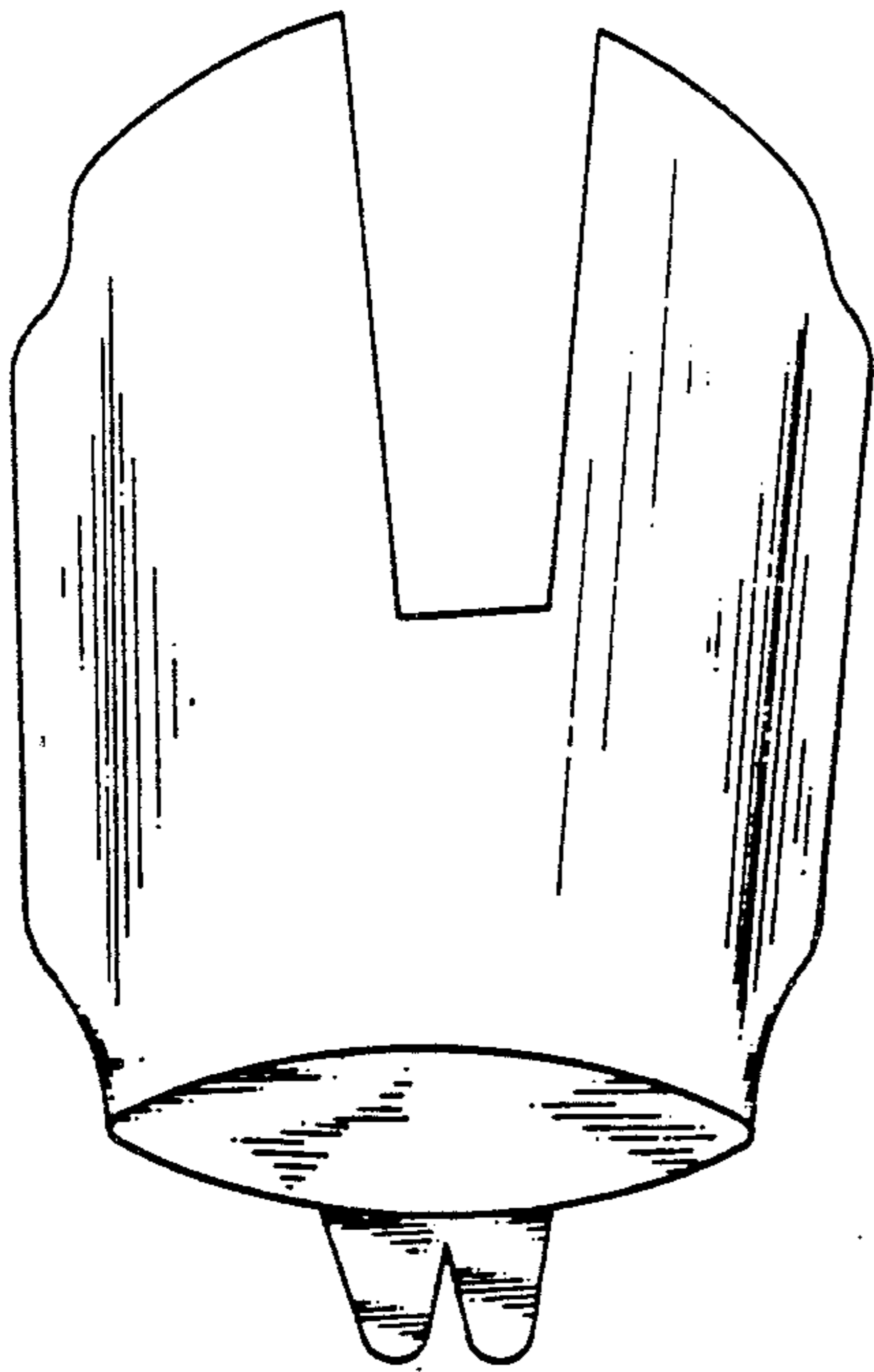


FIG. 2

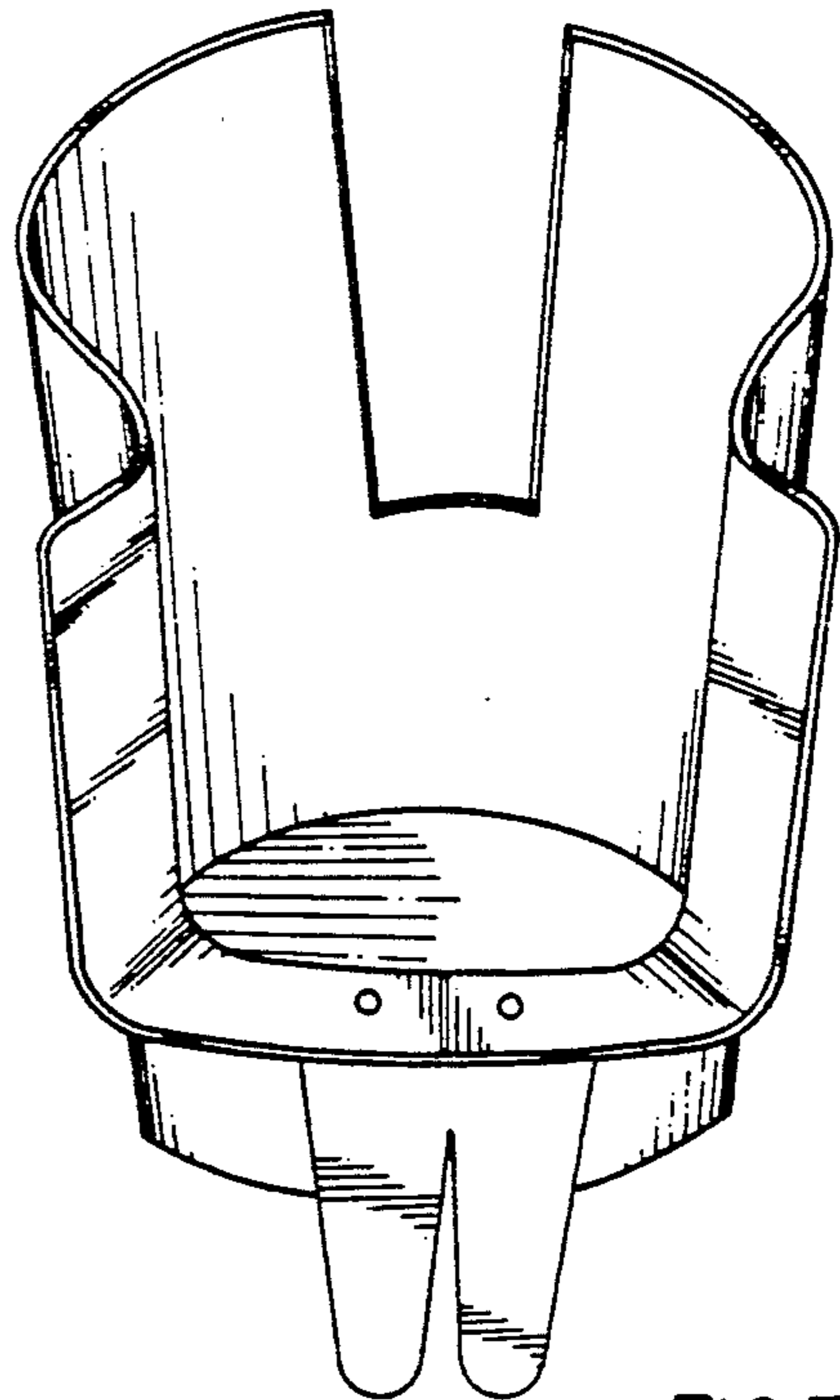


FIG. 3