



US00D326356S

# United States Patent [19]

[11] Patent Number: **Des. 326,356**

Egly

[45] Date of Patent: **\*\* May 26, 1992**

[54] **STORAGE CONTAINER FOR MAGNETIC MEDIA**

[56] **References Cited**

[76] Inventor: **Robert A. Egly, 31 Belcourt, Newport Beach, Calif. 92660**

### U.S. PATENT DOCUMENTS

D. 283,948	5/1986	Clouser et al.	.....	D3/35
D. 287,425	12/1986	Kirchner	.....	D3/35
D. 288,145	2/1987	Northrup et al.	.....	D3/78
D. 303,873	10/1989	Brüssing	.....	D3/35
4,366,904	1/1983	Roskvist	.....	206/425
4,498,583	2/1985	Long et al.	.....	206/444
4,684,019	8/1987	Egly	.....	206/311

[\*\*] Term: **14 Years**

*Primary Examiner*—James R. Largen  
*Assistant Examiner*—Celia A. Murphy  
*Attorney, Agent, or Firm*—George F. Bethel; Patience K. Bethel

[21] Appl. No.: **289,792**

[22] Filed: **Dec. 27, 1988**

[52] U.S. Cl. .... **D3/35; D3/78**

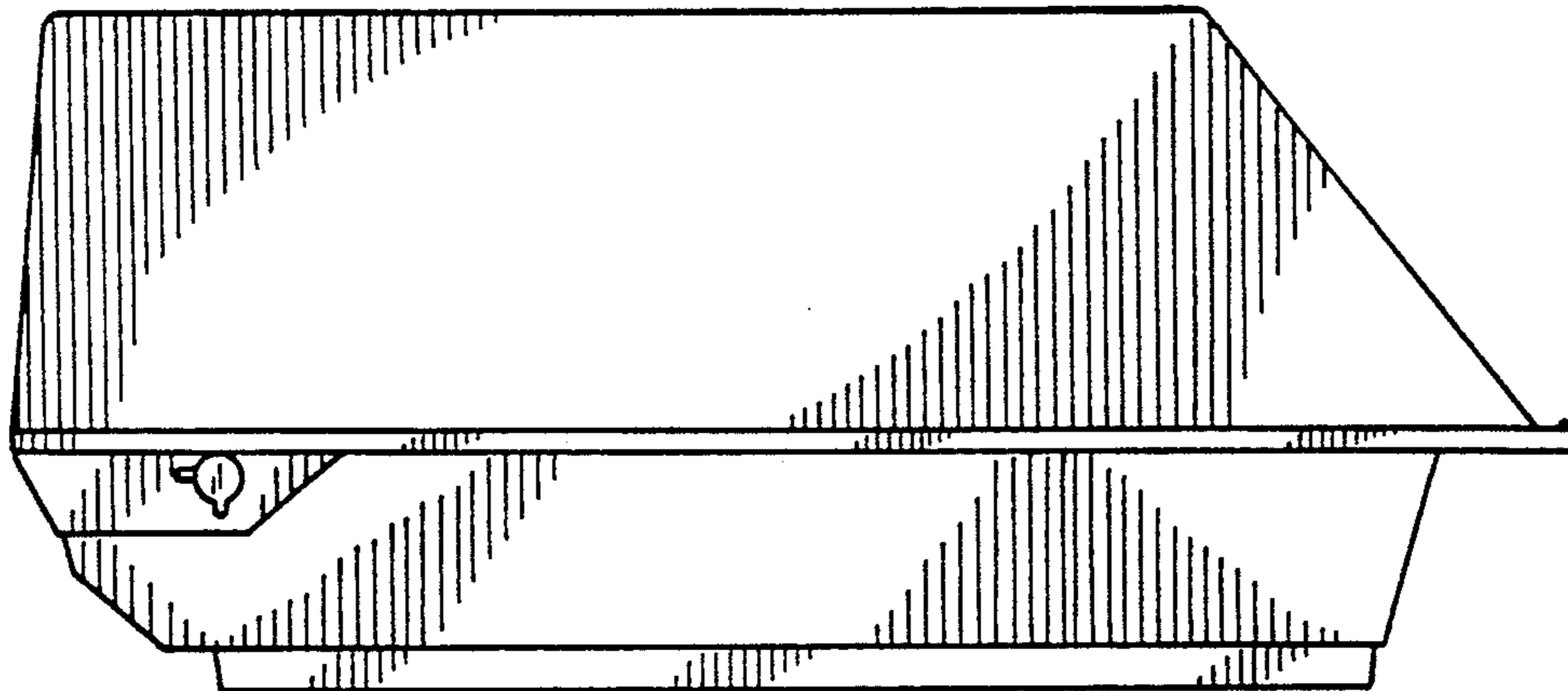
[57] **CLAIM**

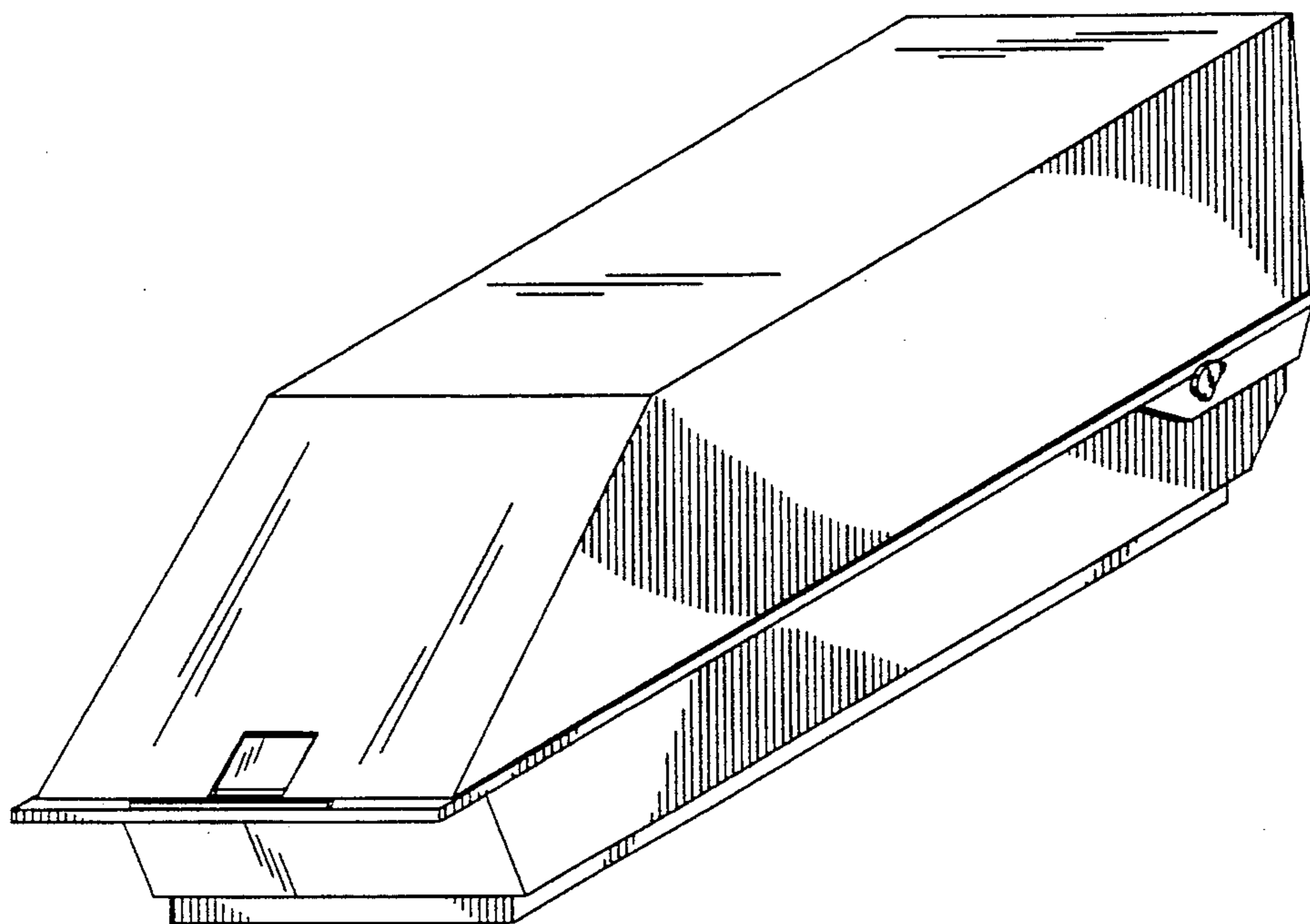
[58] **Field of Search** ..... D3/30.1, 34, 35, 42, D3/44, 45, 50, 52, 53, 56, 58, 59, 61, 66, 71, 73, 74, 76-79, 99, 100, 103, 106; D6/407, 432, 440, 450, 456, 466-468, 470; D9/303, 308, 311, 315, 318, 326, 330, 331, 337, 341, 352, 373, 374-377, 403, 418, 432, 428, 337, 446; D11/141; D14/11; D19/26, 86; D21/62, 63, 87, 101, 159, 160; D24/29, 47, 56; D34/40, 44, 46; 190/100, 101; 206/5, 5.1, 5 R, 214, 217, 309-313, 370, 373-375, 387, 425, 444, 450, 571; 211/40, 42, 50; 215/11.1, 11.6; 220/8, 22, 23.2, 23.6, 85 D, 310, 375, 507; 224/94 R, 148, 227; 312/10, 13, 14; 422/181, 300; 434/317

The ornamental design for a storage container for magnetic media, as shown and described.

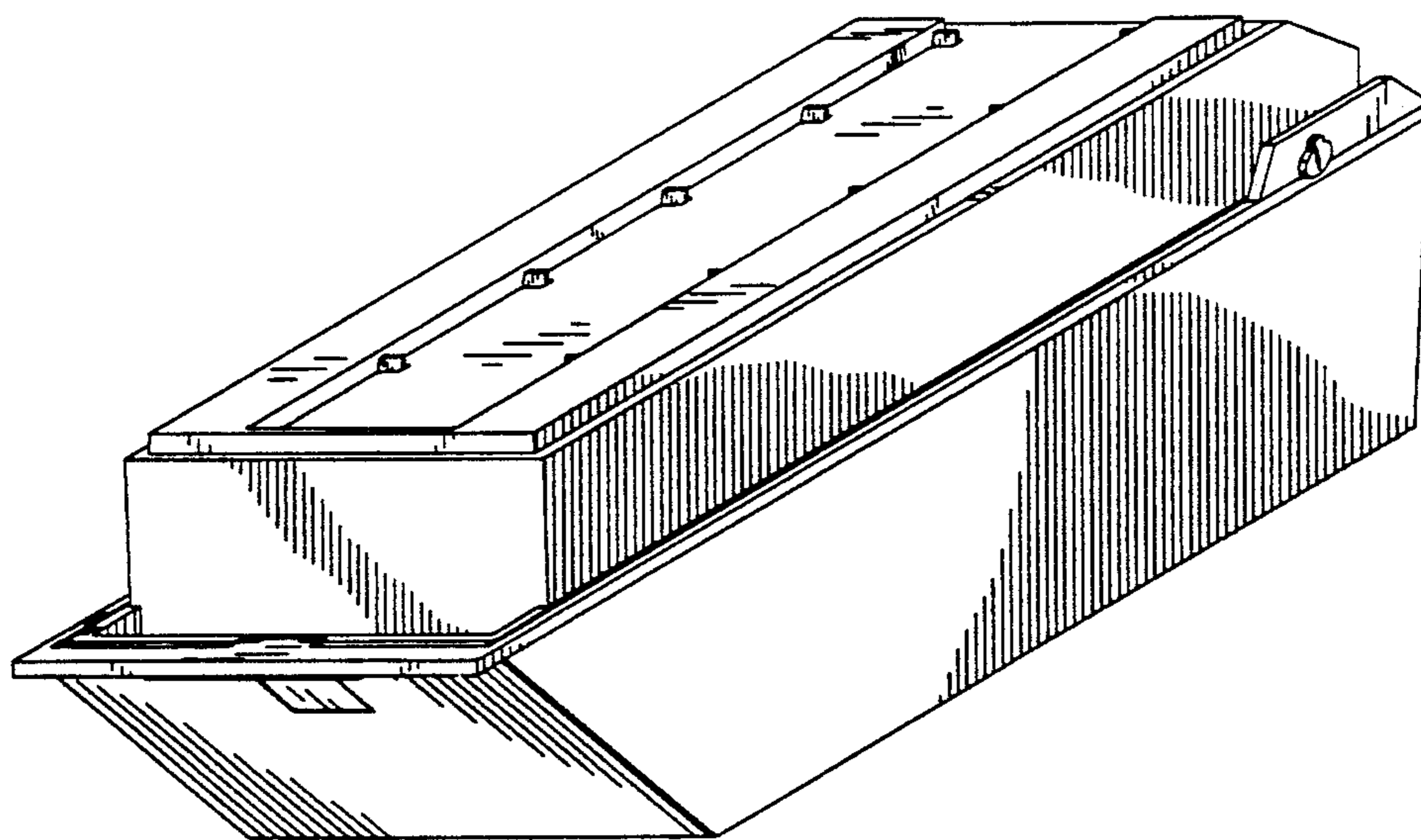
### DESCRIPTION

FIG. 1 is a top perspective view of a storage container for magnetic media, showing my new design;  
FIG. 2 is a bottom perspective view thereof;  
FIG. 3 is an enlarged perspective view thereof, shown open;  
FIG. 4 is a rear elevational view of FIG. 1;  
FIG. 5 is a reduced top plan view of FIG. 3;  
FIG. 6 is a left side elevational view of FIG. 1; and,  
FIG. 7 is a bottom plan view of FIG. 1.

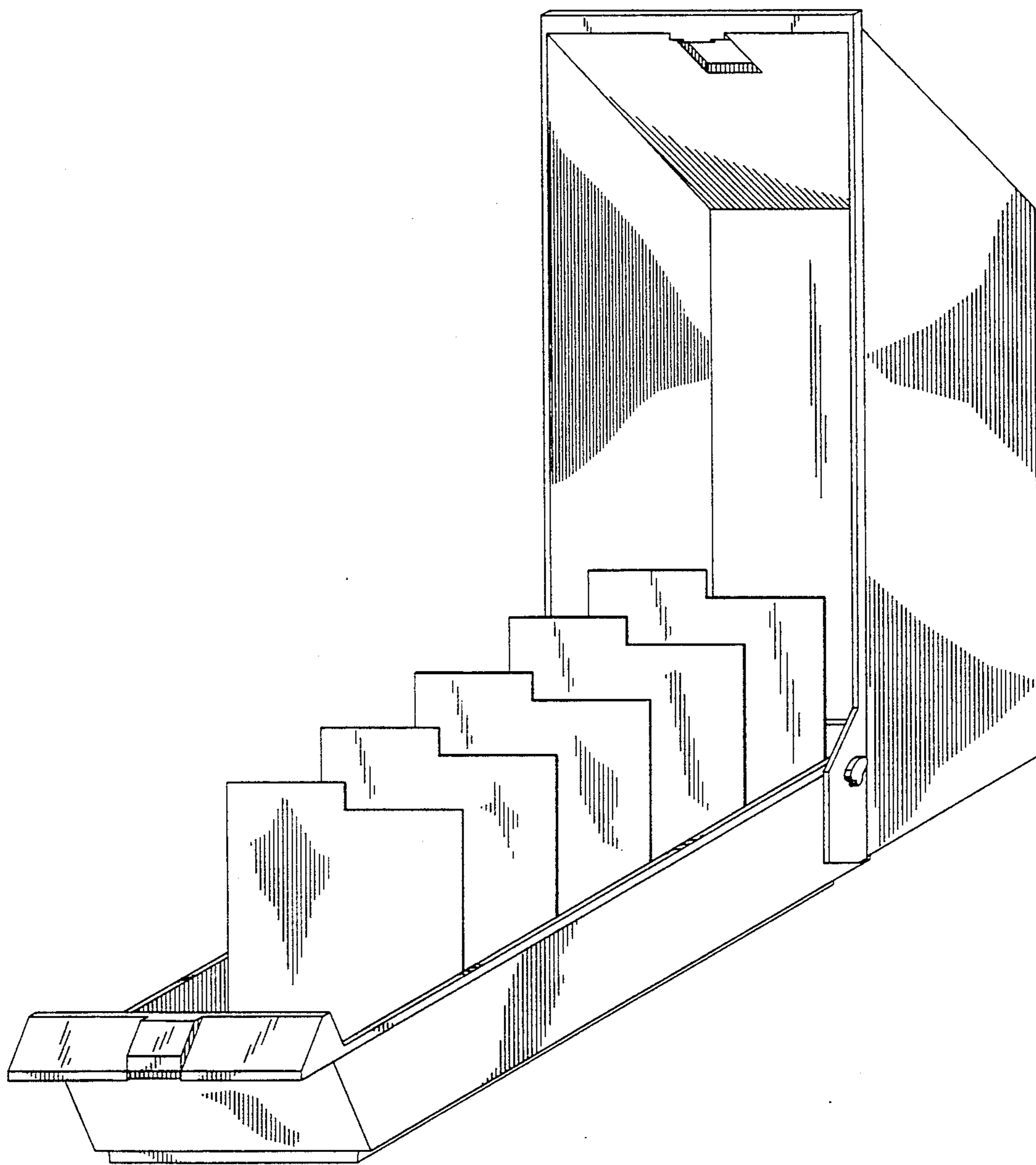




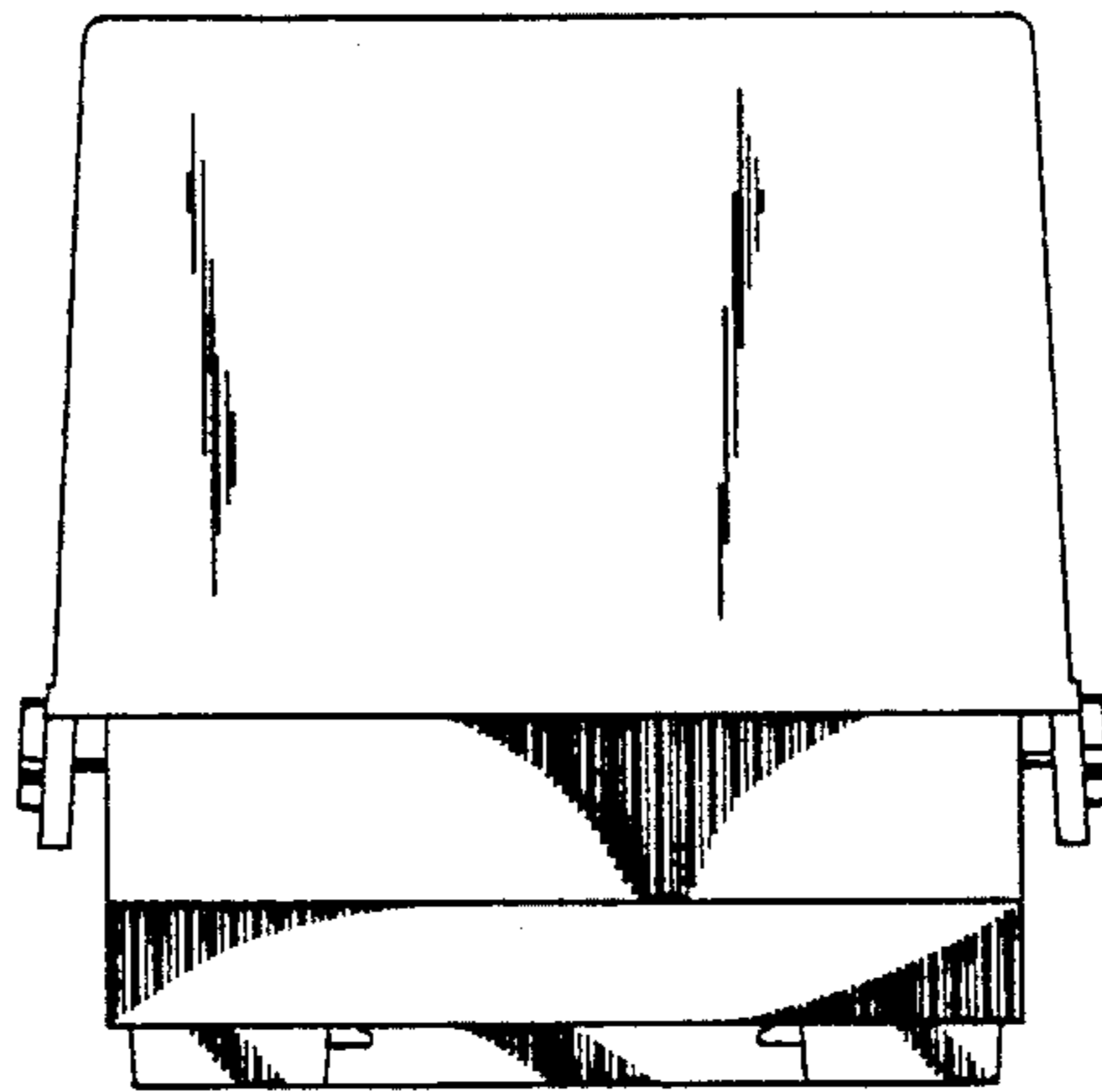
*FIG. 1*



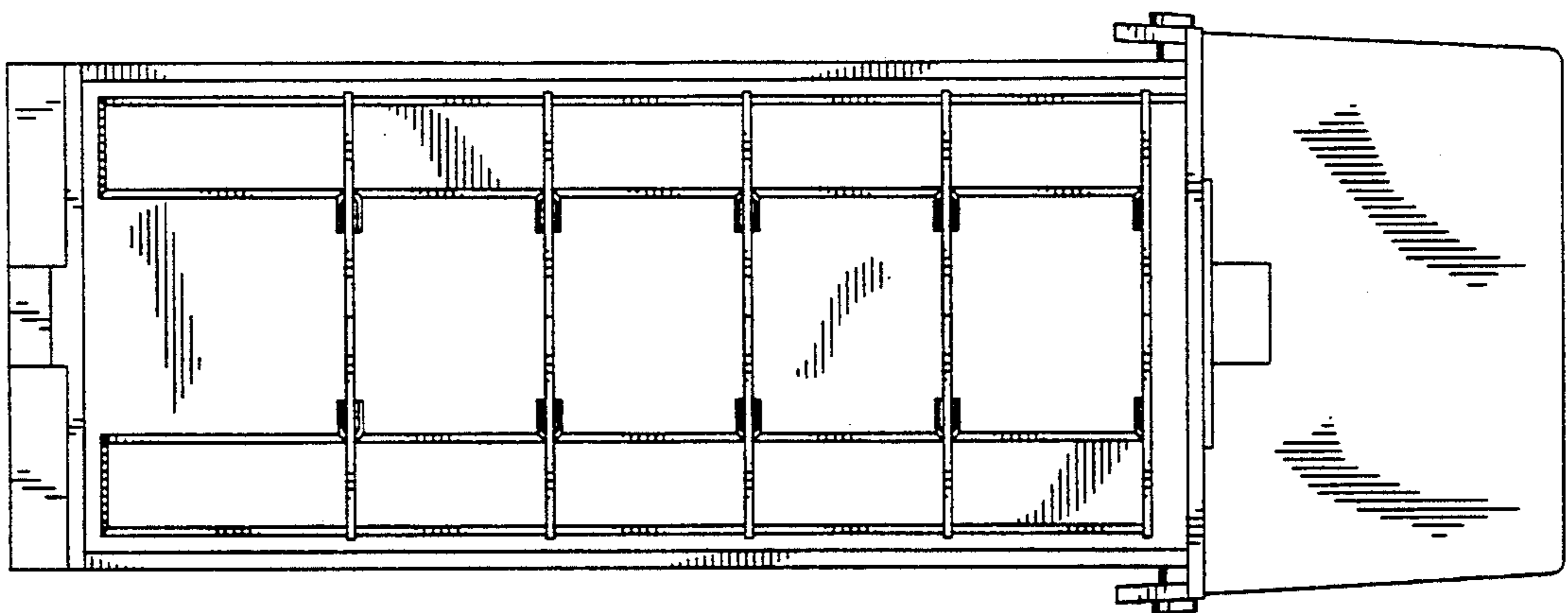
*FIG. 2*



*FIG. 3*

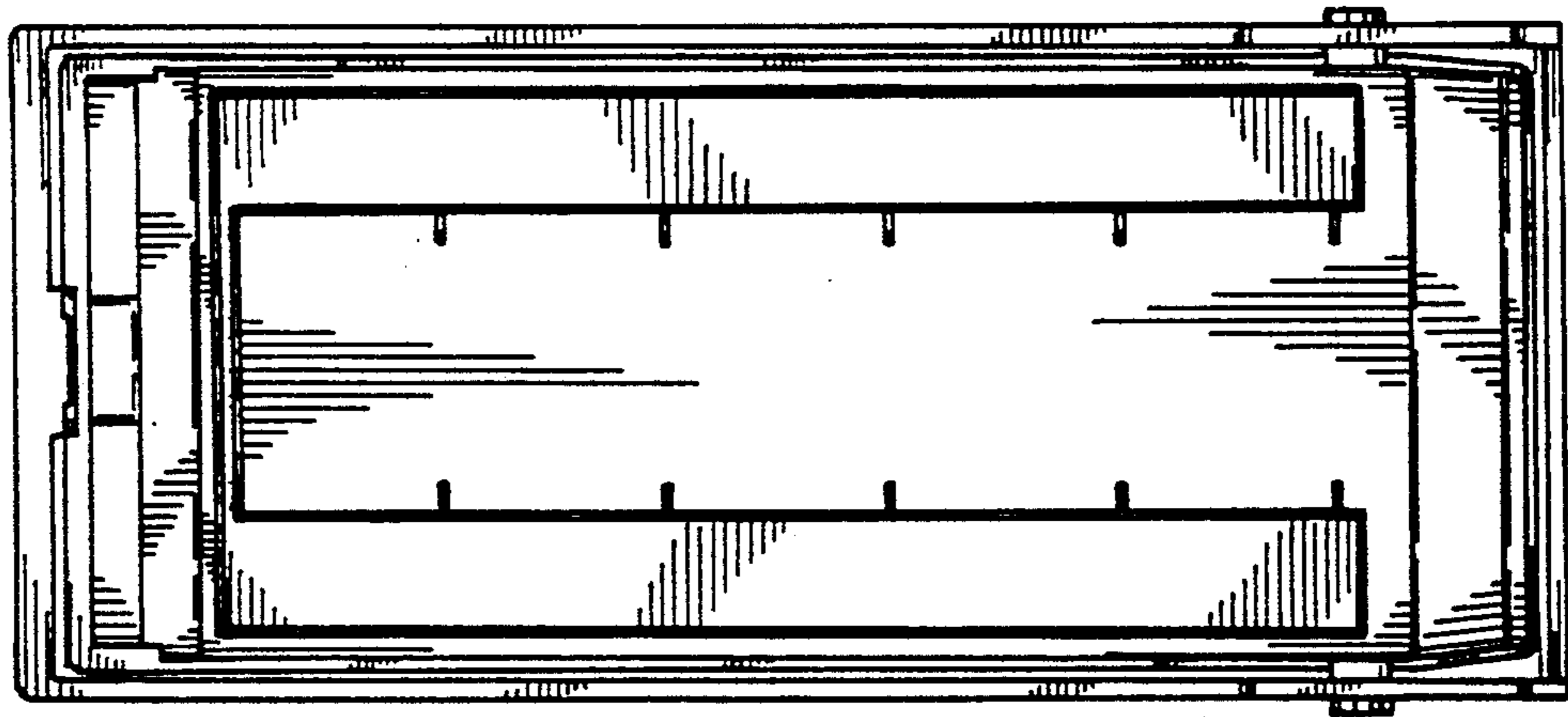
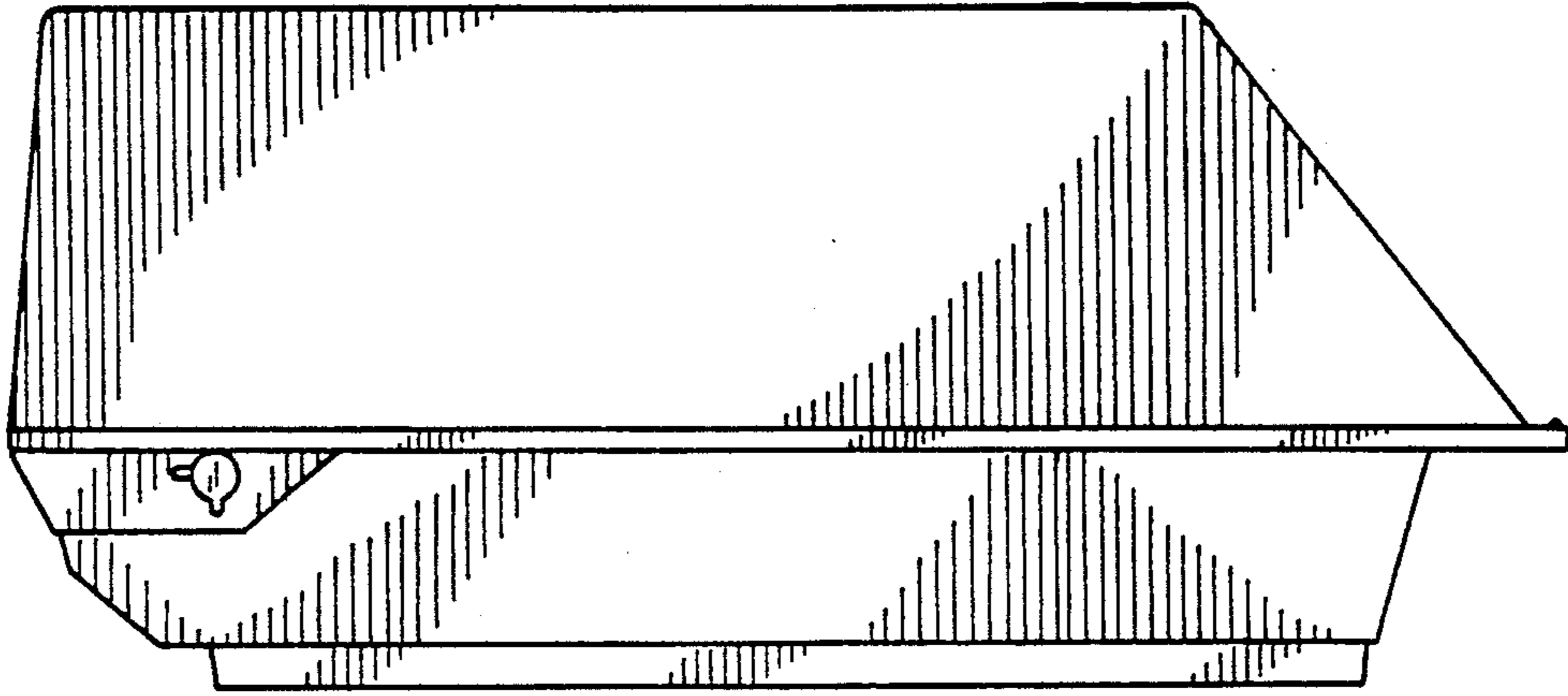


*FIG. 4*



*FIG. 5*

*FIG. 6*



*FIG. 7*