



US00D326346S

United States Patent [19]

[11] **Patent Number: Des. 326,346**

Osakada

[45] **Date of Patent: ** May 19, 1992**

[54] **CRATE FOR BOTTLES**

[75] **Inventor: Kunio Osakada, Kawasaki, Japan**

[73] **Assignee: The Coca-Cola Company, Atlanta, Ga.**

[**] **Term: 14 Years**

[21] **Appl. No.: 598,442**

[22] **Filed: Oct. 15, 1990**

[52] **U.S. Cl. D34/40**

[58] **Field of Search D34/40-46;
206/507, 503; 220/4 C, 4 D, 23.6; D9/424**

[56] **References Cited**

U.S. PATENT DOCUMENTS

D. 217,901	6/1970	Rehrig	D34/45
D. 231,771	6/1974	Gray et al.	D34/43
D. 234,679	4/1975	Hirota	D34/45
D. 275,142	8/1984	Torokvei	D34/40
3,390,808	7/1968	Rehrig et al.	D34/43 X
3,734,341	5/1973	Lavenhagen	206/507

OTHER PUBLICATIONS

Rubbermaid, Jan. 1990, p. 10, item #0961.

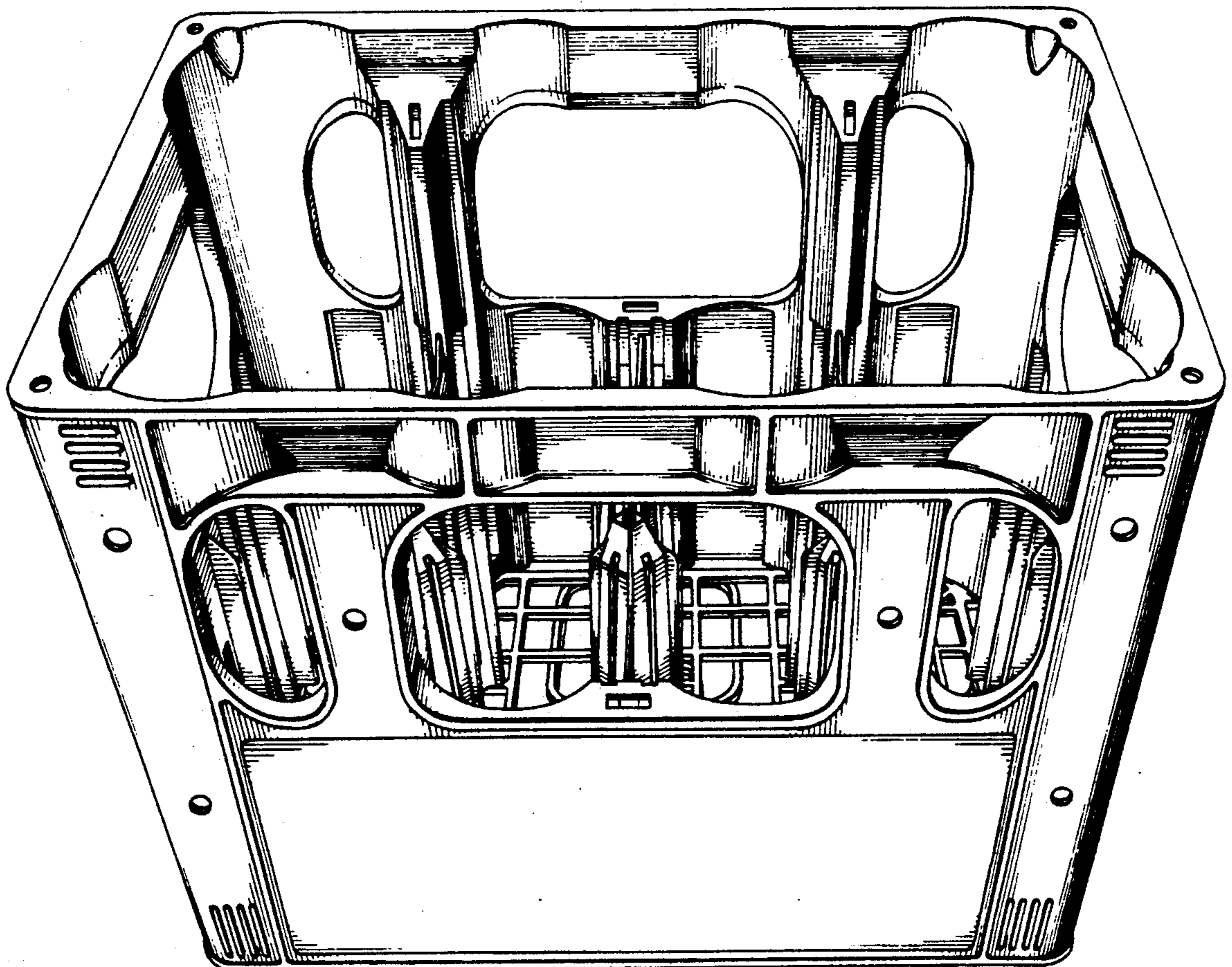
Primary Examiner—Bernard Ansher
Assistant Examiner—Prabhakar Deshmukh
Attorney, Agent, or Firm—William C. Lee, III; W. Dexter Brooks; Lynne R. O'Brien

[57] **CLAIM**

The ornamental design for crate for bottles, as shown and described.

DESCRIPTION

FIG. 1 is a top front left side perspective view of a crate for bottles showing my new design; FIG. 2 is a front elevational view thereof; the rear elevational view being a mirror image thereof; FIG. 3 is a top plan view thereof; FIG. 4 is a bottom plan view thereof; FIG. 5 is a right side elevational view thereof; FIG. 6 is a sectional view taken along lines 6—6 of FIG. 3; and, FIG. 7 is a sectional view taken along lines 7—7 of FIG. 3.



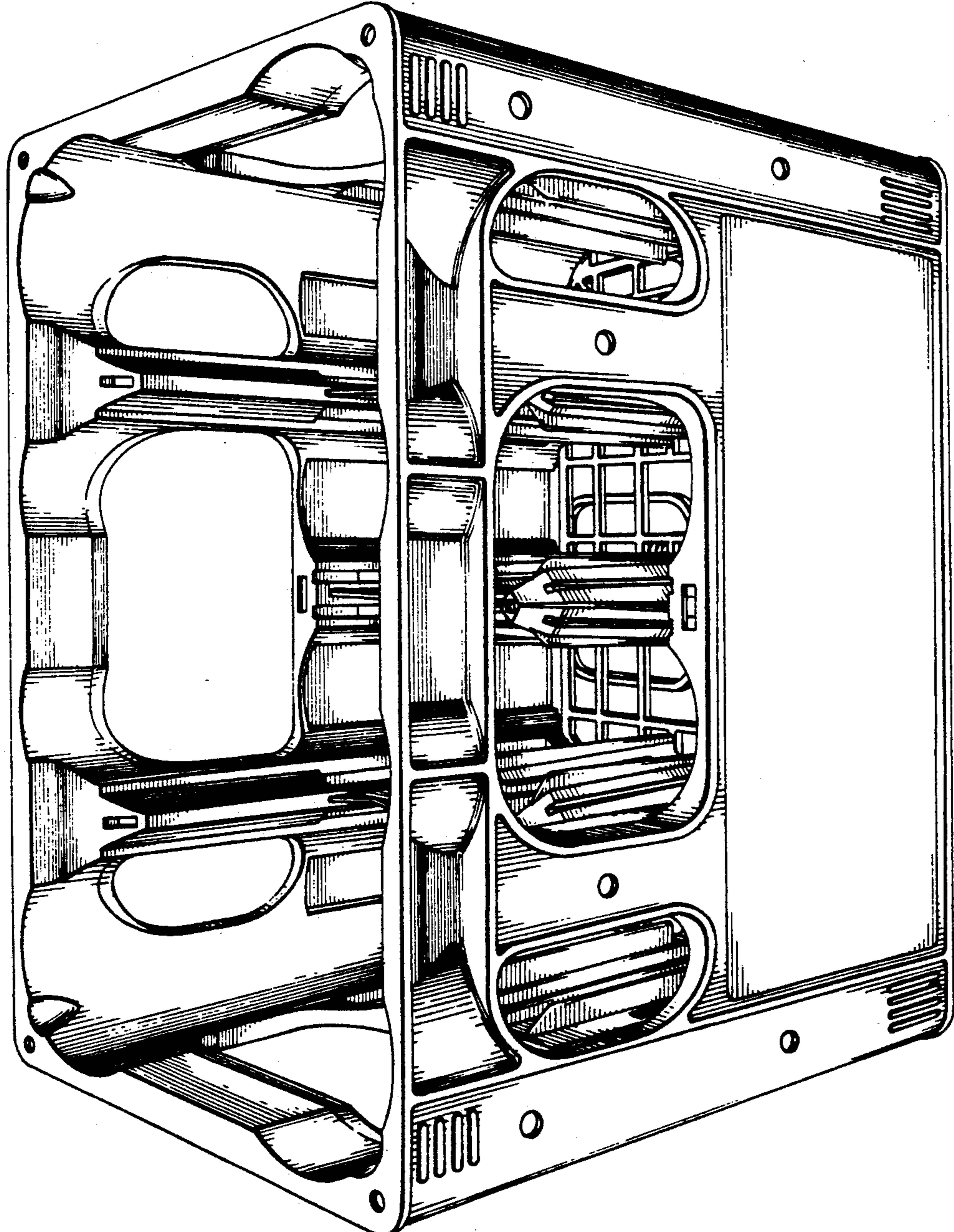


FIG 1

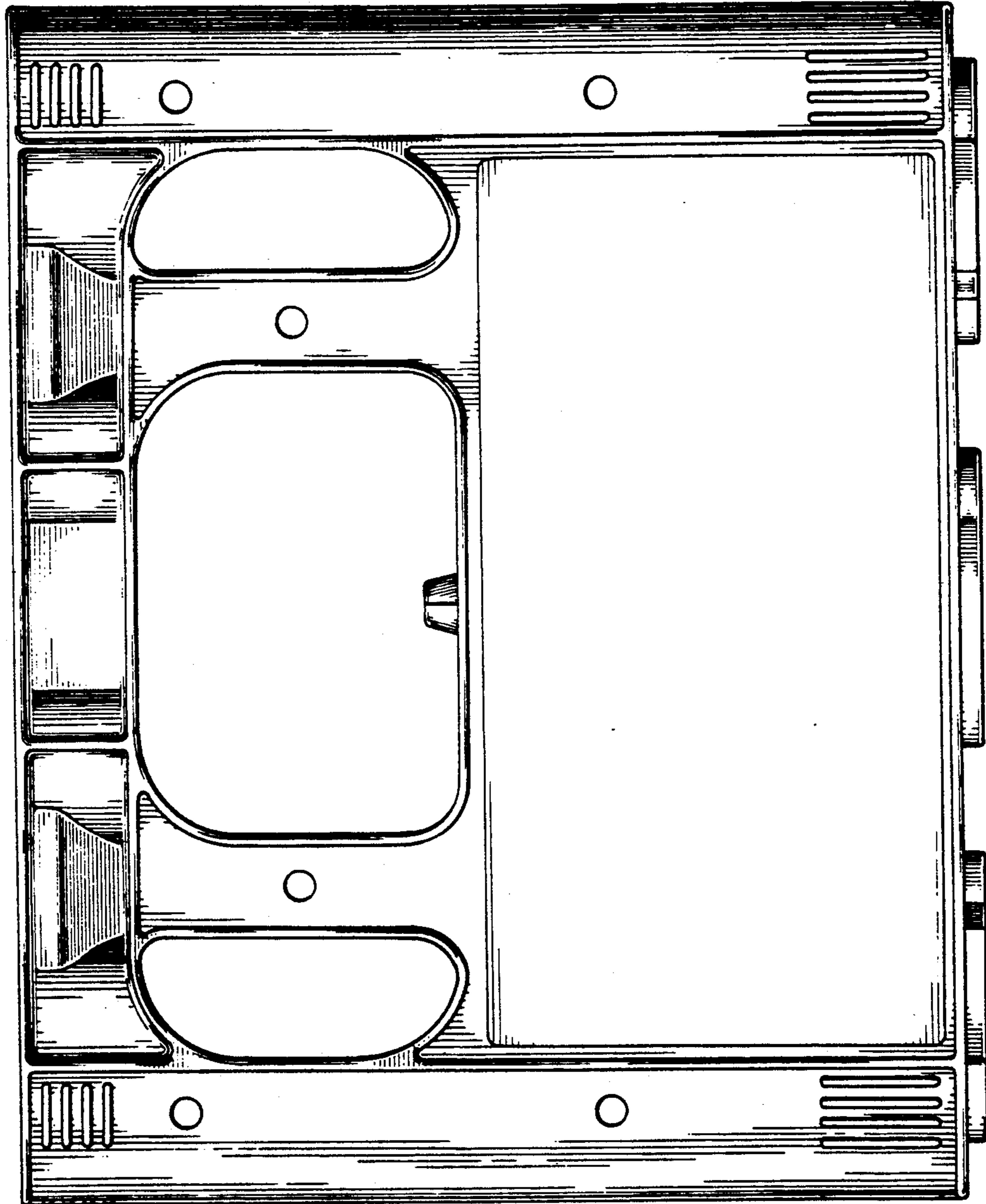


FIG 2

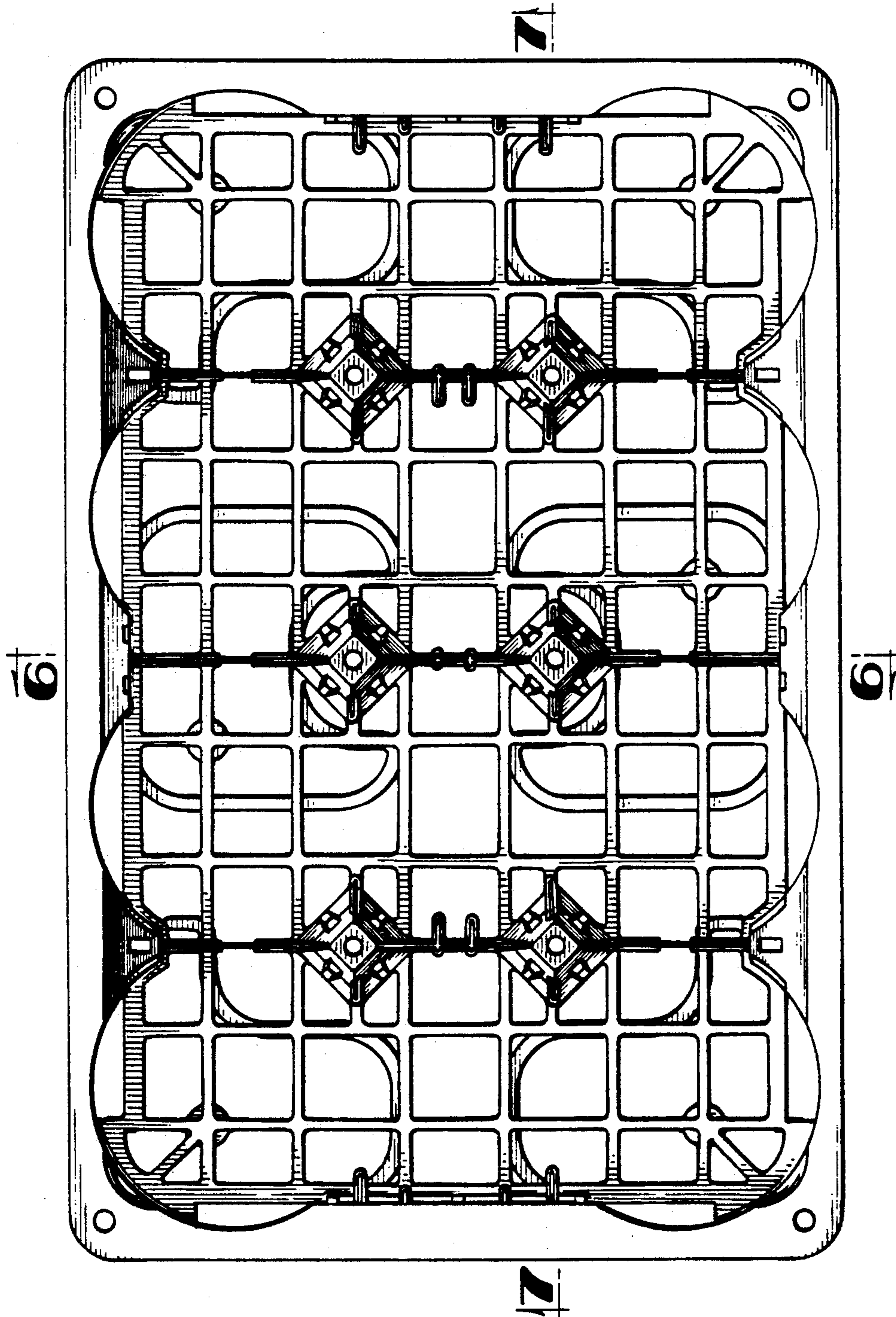


FIG 3

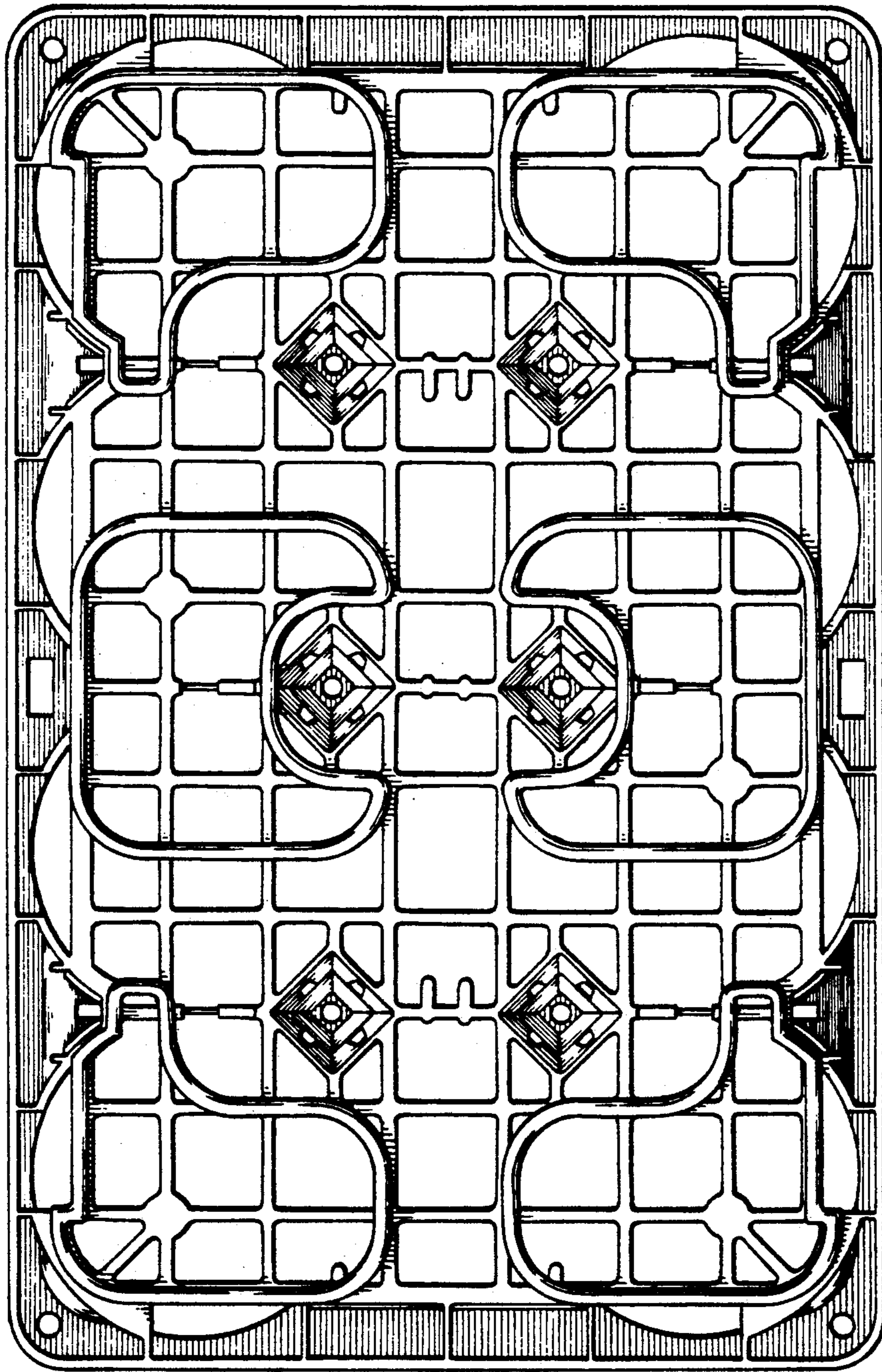


FIG 4

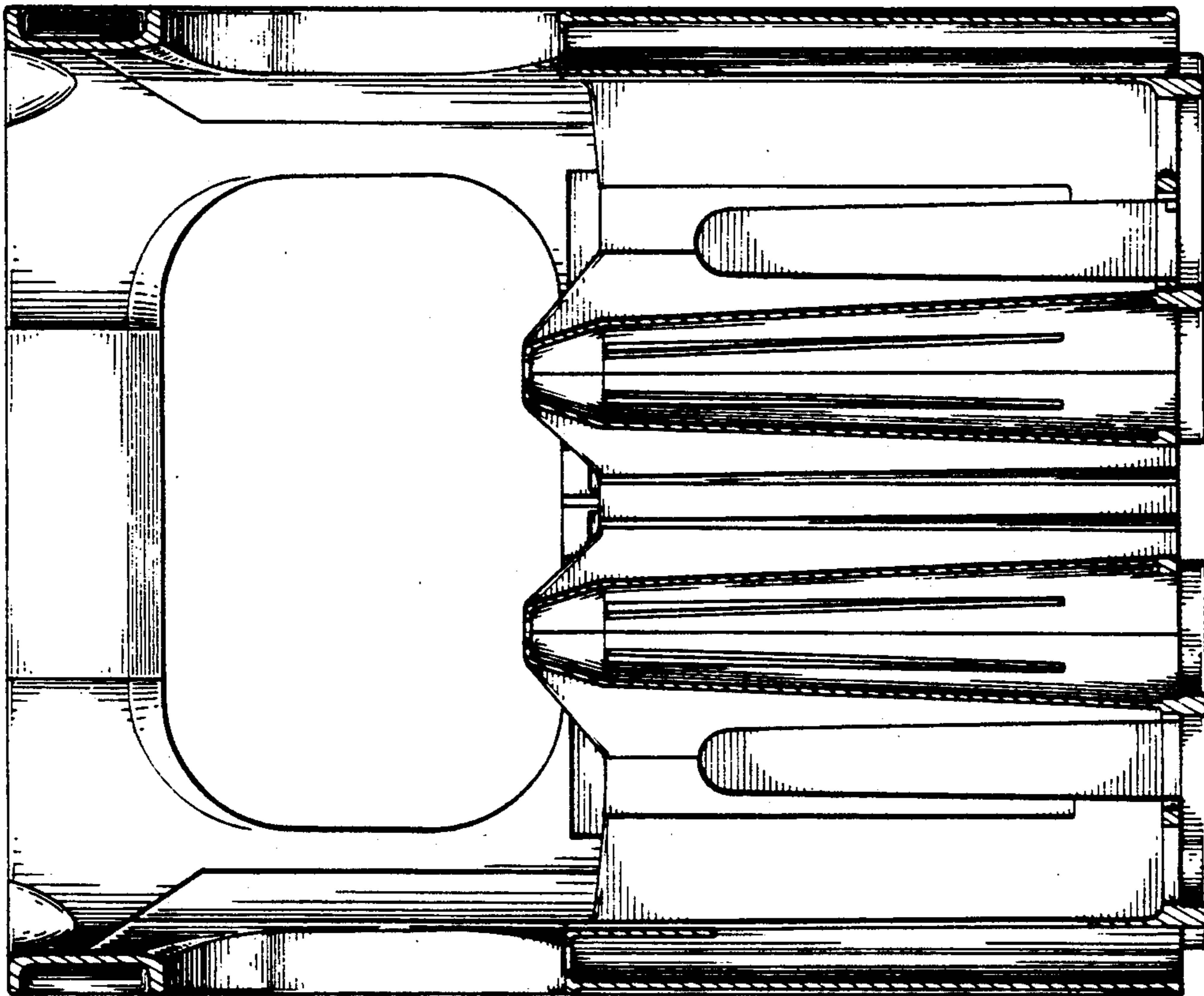


FIG 6

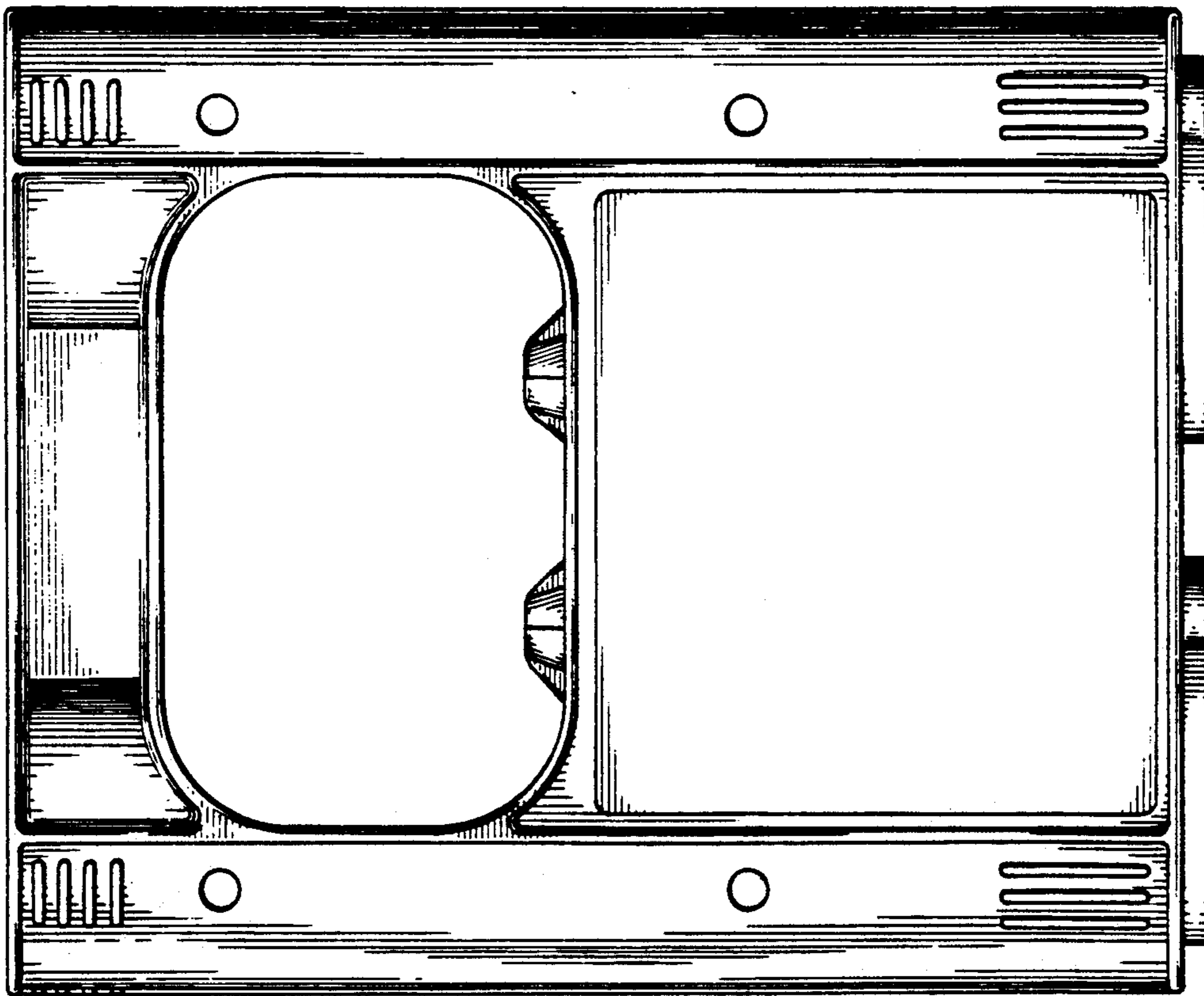


FIG 5

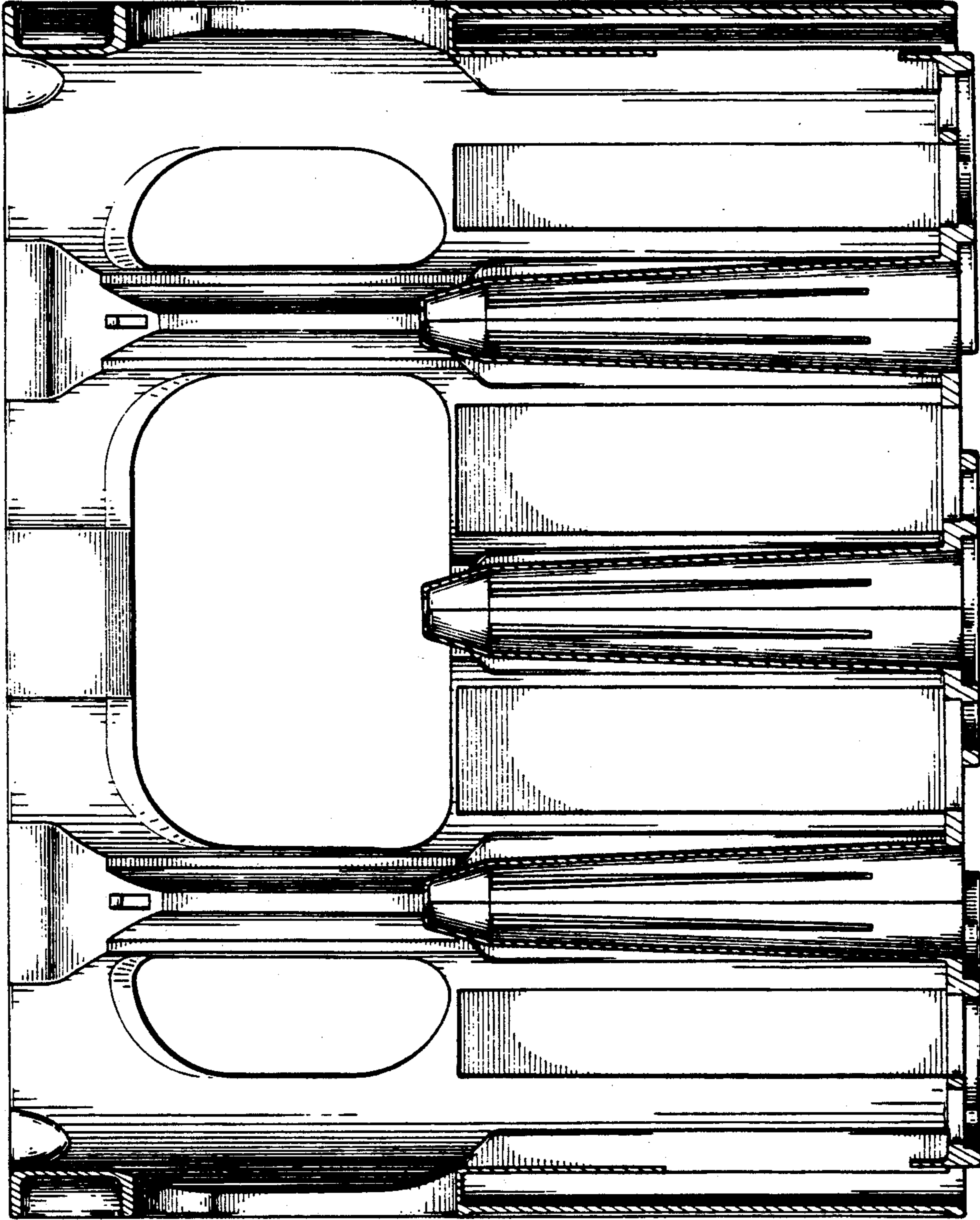


FIG 7