



US00D326345S

# United States Patent [19]

[11] Patent Number: **Des. 326,345**

Mandell et al.

[45] Date of Patent: **\*\* May 19, 1992**

## [54] RECYCLING CONTAINER

[75] Inventors: **Jonathan Mandell; Howard Andrews, Jr.,** both of Winchester, Va.

[73] Assignee: **Rubbermaid Commercial Products Inc.,** Winchester, Va.

[\*\*] Term: **14 Years**

[21] Appl. No.: **450,387**

[22] Filed: **Dec. 14, 1989**

[52] U.S. Cl. .... **D34/40**

[58] Field of Search ..... **D34/40-46, D34/12, 1; 206/499, 510, 515, 503, 508, 506; 220/1.5, 23.6, 669, 94 R, 908**

## [56] References Cited

### U.S. PATENT DOCUMENTS

D. 197,311	1/1964	Spaak et al. ....	D34/40
D. 246,872	1/1978	White .....	D34/40
D. 258,721	3/1981	Steeg .....	D34/43
3,379,339	4/1968	Asenbauer .....	D34/40 X
3,421,656	1/1969	Asenbauer .....	206/506
3,840,115	10/1974	Ladewig .....	206/506

## OTHER PUBLICATIONS

Lewisystems Containers Jan. 1983, p. 8, bottom container; p. 20, top container.

Rubbermaid Food Service Cat. Apr. 1980, p. 11, bottom container.

Pp. 28 and 29, Rubbermaid Incorporated, 1147 Akron Road, Wooster, Ohio 44691, publication date 1988.

*Primary Examiner*—Bernard Ansher

*Assistant Examiner*—Prabhakar Deshmukh

*Attorney, Agent, or Firm*—Richard B. O'Planick

## [57] CLAIM

The ornamental design for a recycling container, as shown and described.

## DESCRIPTION

FIG. 1 is a perspective view of a recycling container showing our new design;

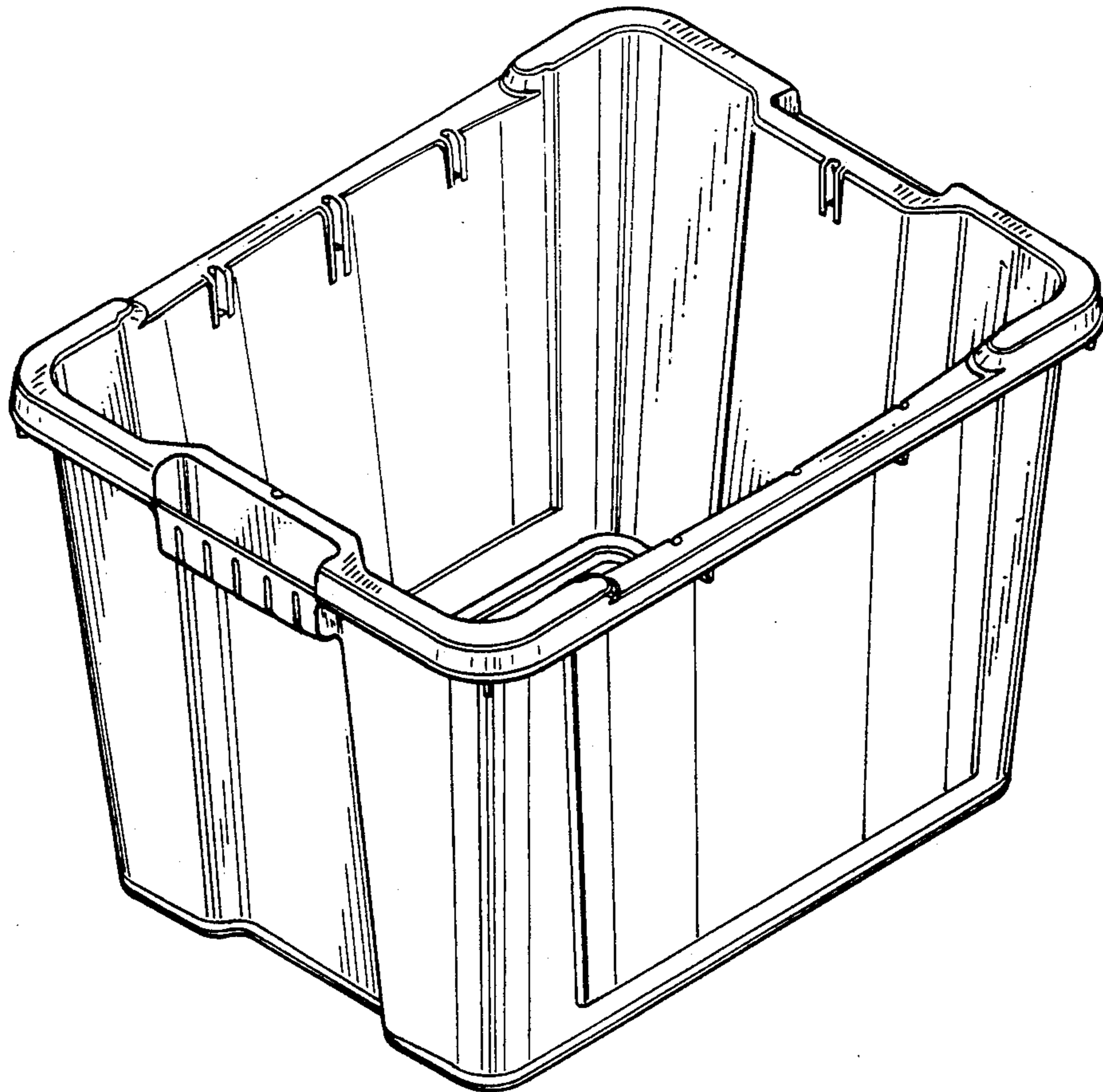
FIG. 2 is a front elevation thereof; the rear elevation being a mirror image thereof;

FIG. 3 is a top plan view thereof;

FIG. 4 is a bottom plan view thereof;

FIG. 5 is a left side elevation thereof; the right side elevation being a mirror image thereof; and,

FIG. 6 is a sectional elevation thereof; taken along line 6-6 of FIG. 3.



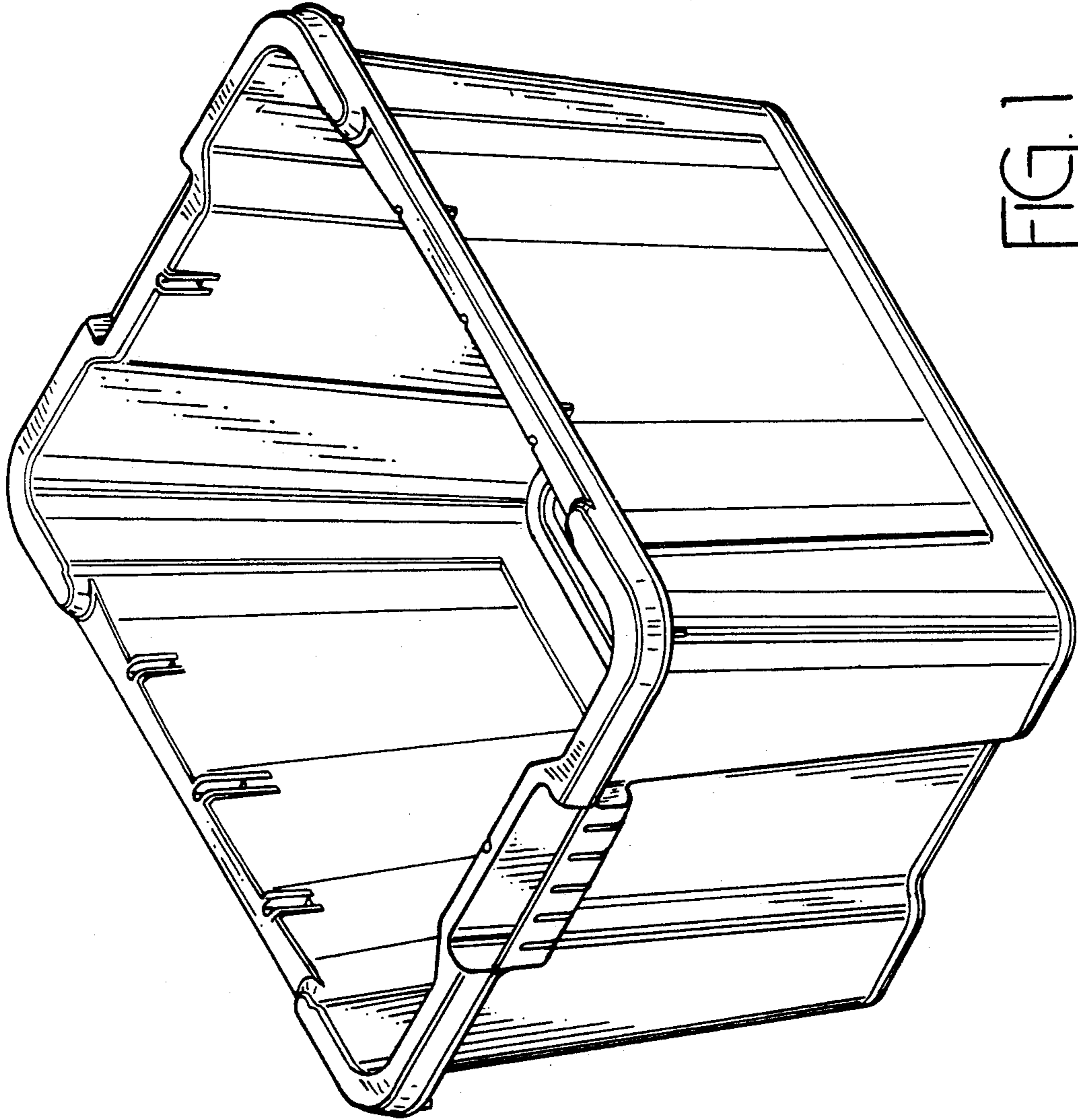


FIG. 1

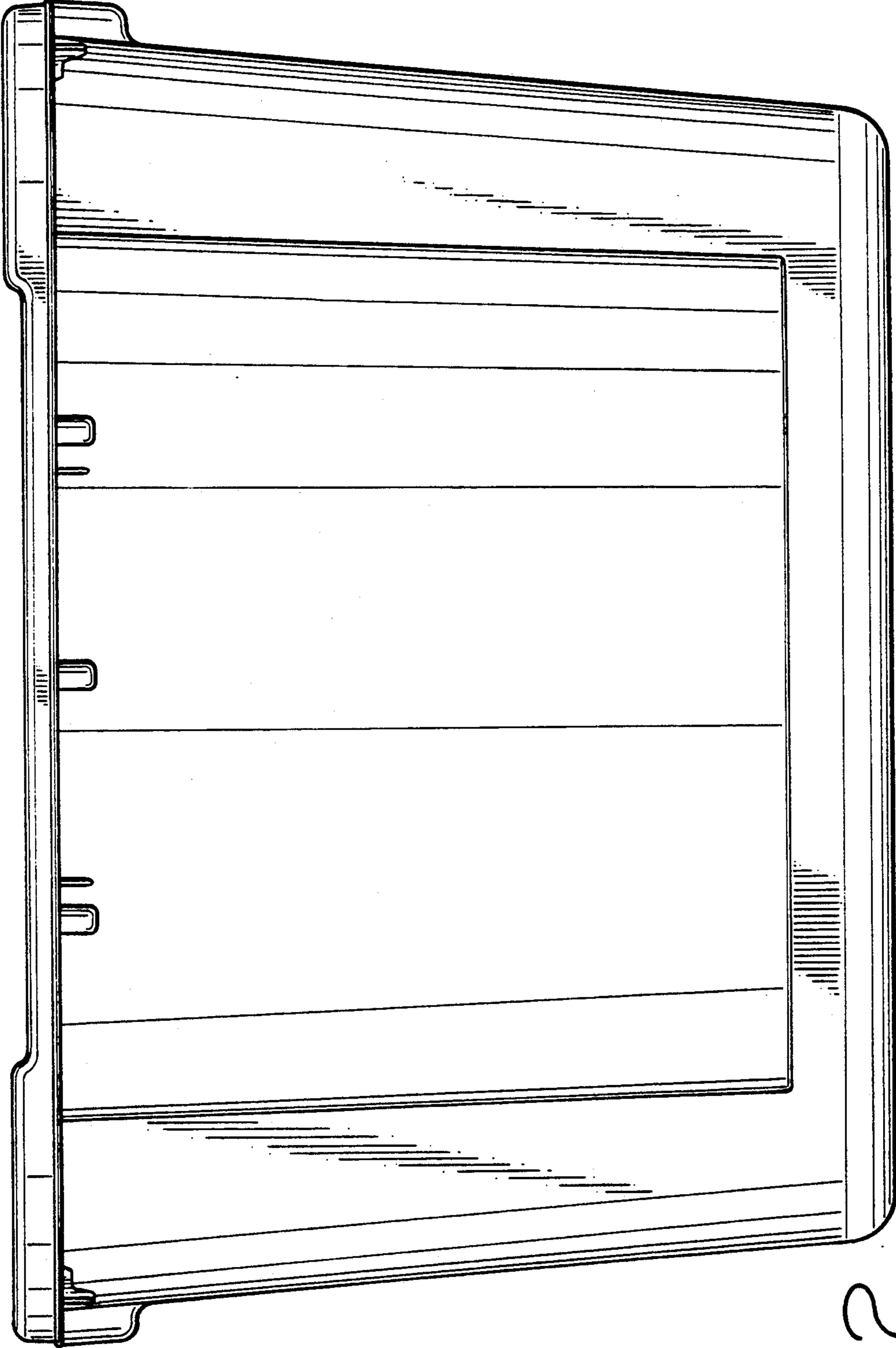


FIG. 2

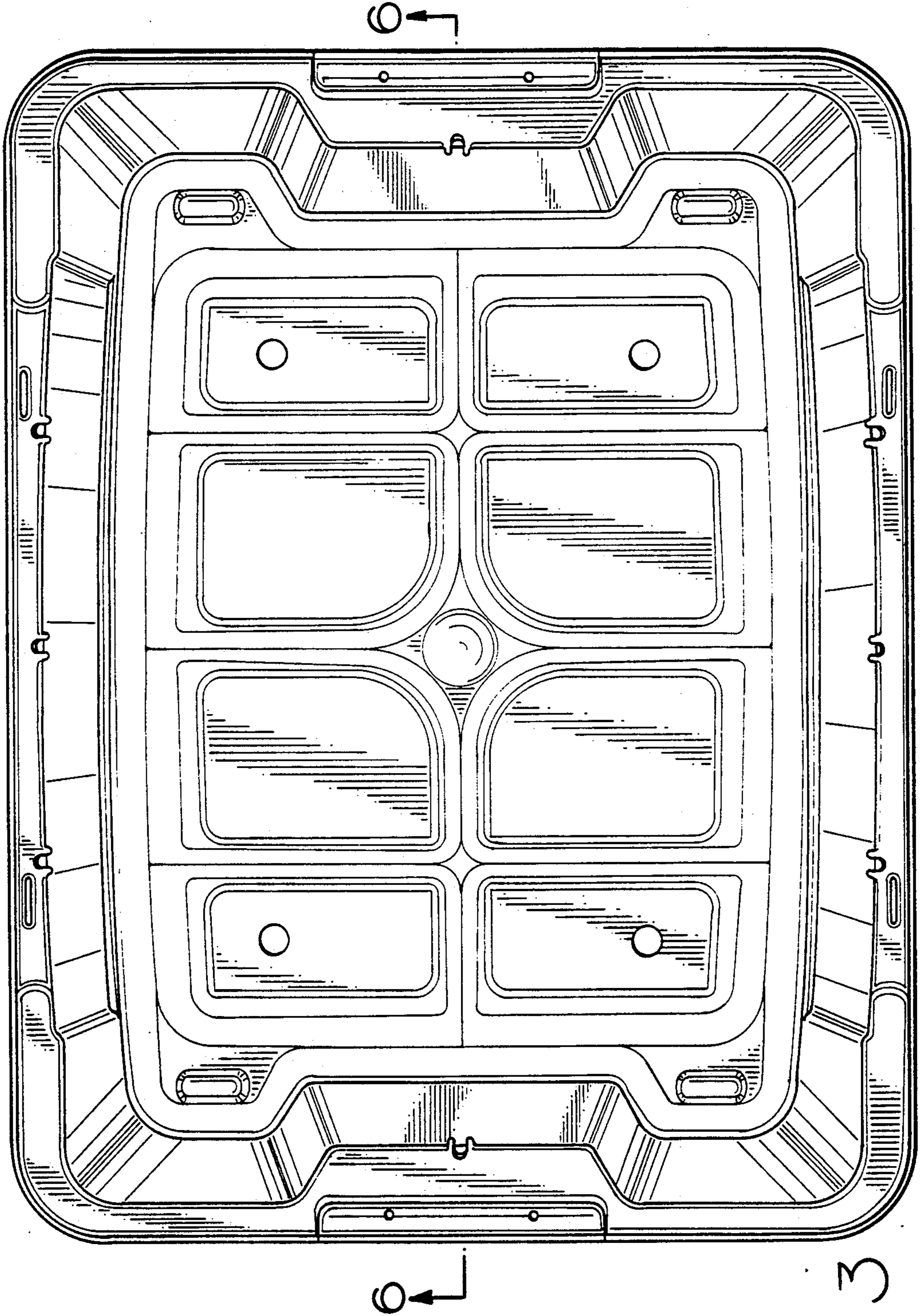


FIG. 3

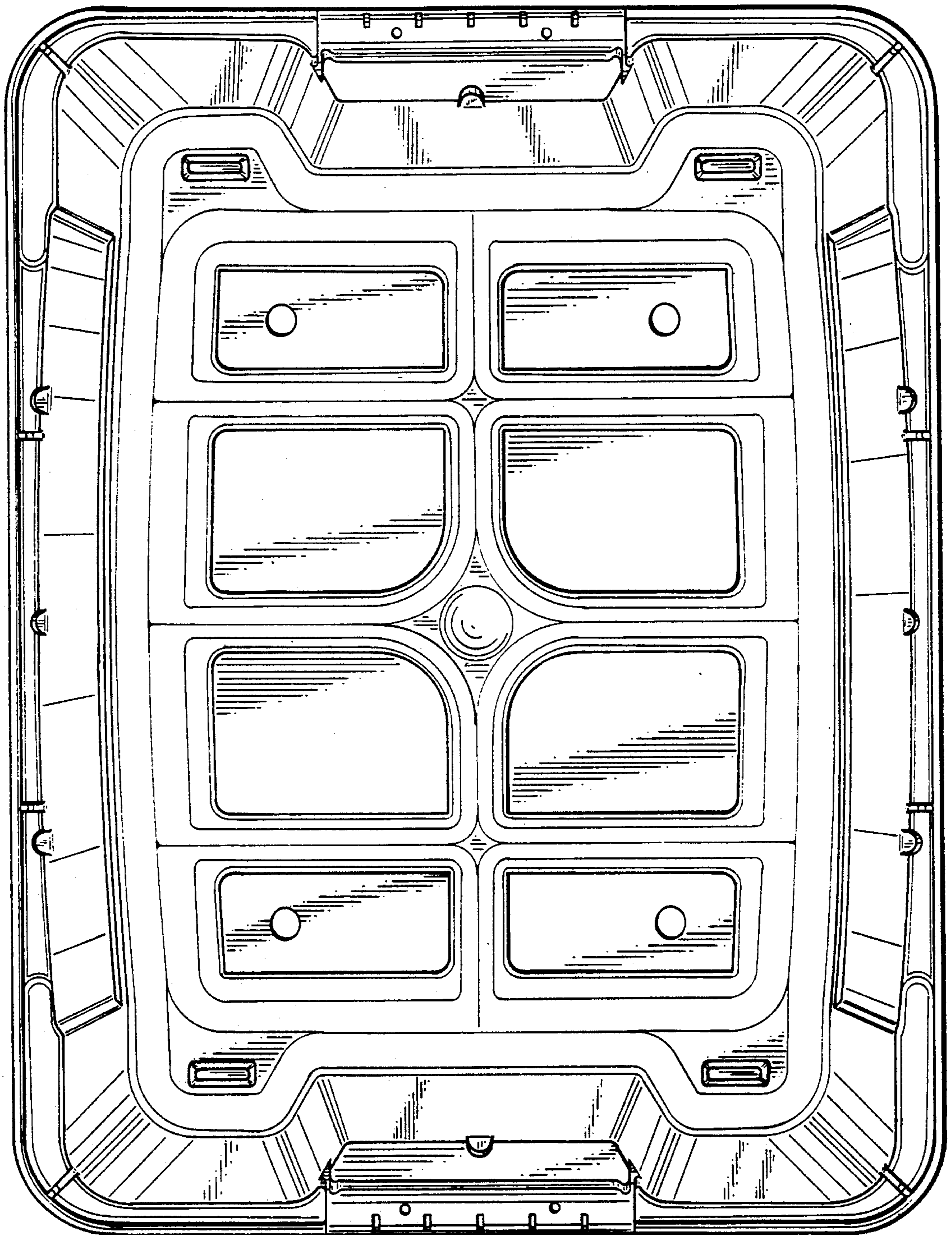


FIG. 4

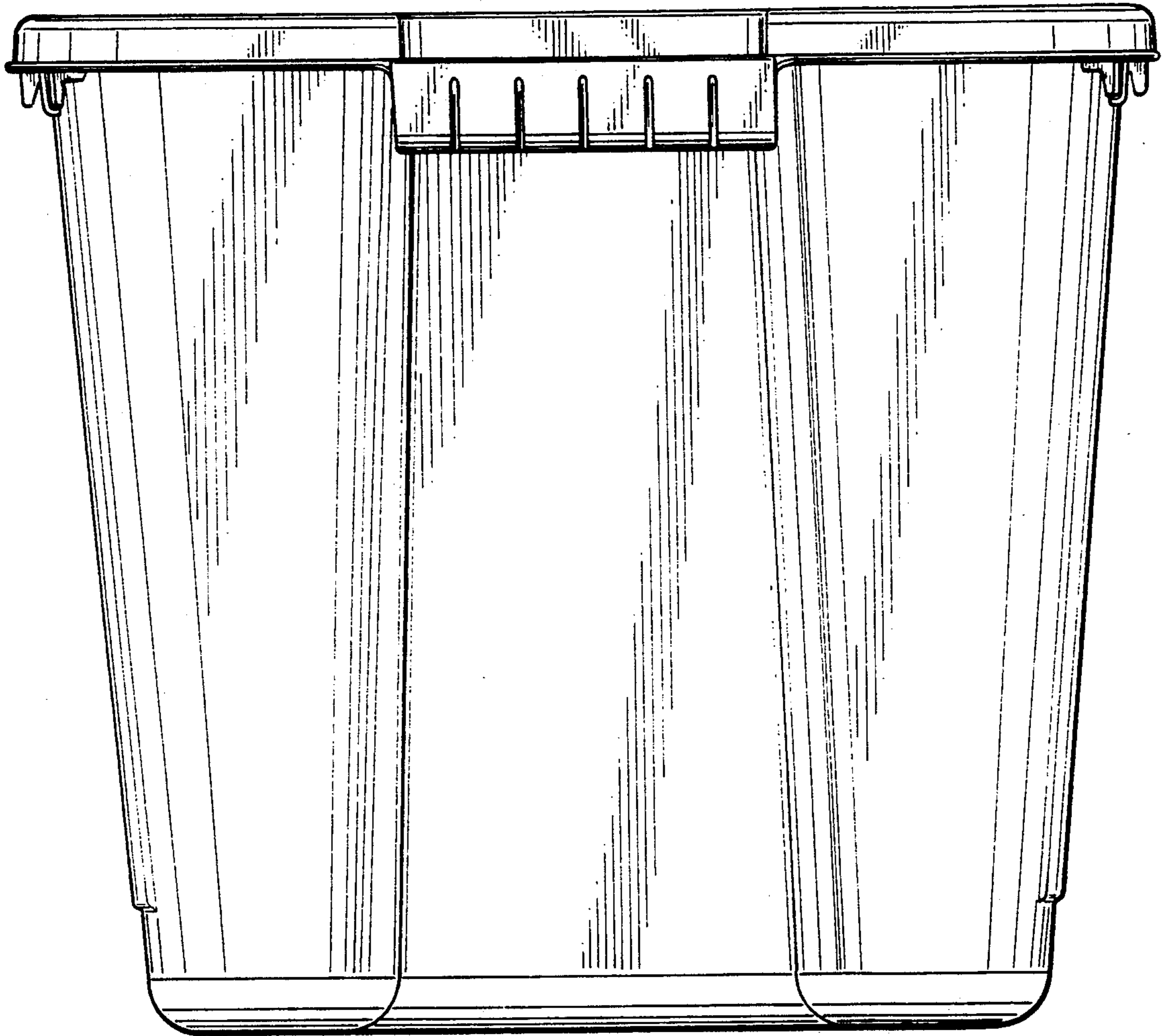


FIG. 5

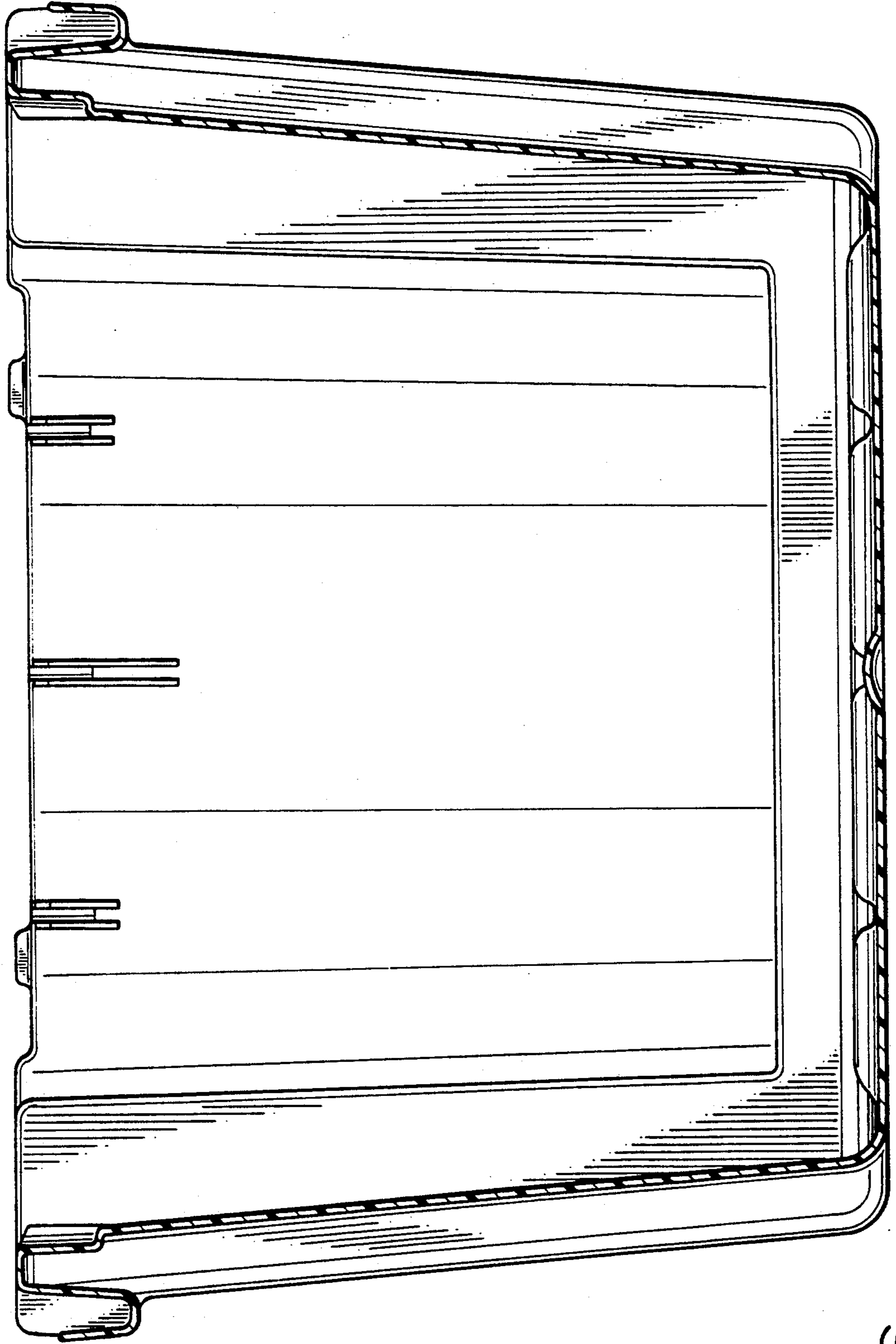


FIG. 6