



US00D326341S

# United States Patent [19]

[11] Patent Number: **Des. 326,341**

Frauhiger

[45] Date of Patent: **\*\* May 19, 1992**

[54] **CARTON**

[57] **CLAIM**

[76] Inventor: **Robert W. Frauhiger, 144 Harbra Ct., Lexington, S.C. 29072**

The ornamental design for a carton, as shown and described.

[\*\*] Term: **14 Years**

### DESCRIPTION

[21] Appl. No.: **607,081**

FIG. 1 is a top and left side perspective view of a carton showing my new design;

[22] Filed: **Oct. 15, 1990**

FIG. 2 is a front elevational view thereof, the rear elevational view being a mirror image of that shown;

[52] U.S. Cl. .... **D34/1; D9/432; D9/341**

FIG. 3 is a left side elevational view thereof, the right side elevational view being a mirror image of that shown;

[58] Field of Search ..... **D34/1, 4; 220/908, 909, 220/910, 509, 523, 524; 229/120.24, 120.06, 117; D9/341-348, 414, 432**

FIG. 4 is a bottom plan view thereof;

FIG. 5 is a top plan view thereof;

FIG. 6 is a side view thereof showing an unassembled condition without partisan;

FIG. 7 is a plan view thereof in another unassembled condition with partisan;

[56] **References Cited**

#### U.S. PATENT DOCUMENTS

D. 312,402	11/1990	Boggus, Jr.	.....	D9/432
2,874,866	2/1959	Rudy	.....	220/523
3,250,421	5/1966	Braun	.....	220/509
3,487,479	1/1970	Grooms	.....	229/120.24
4,955,495	9/1990	Ruebesam	.....	D34/10
5,011,071	4/1991	Lopez	.....	229/117

FIG. 8 is a side view thereof in a partially assembled condition;

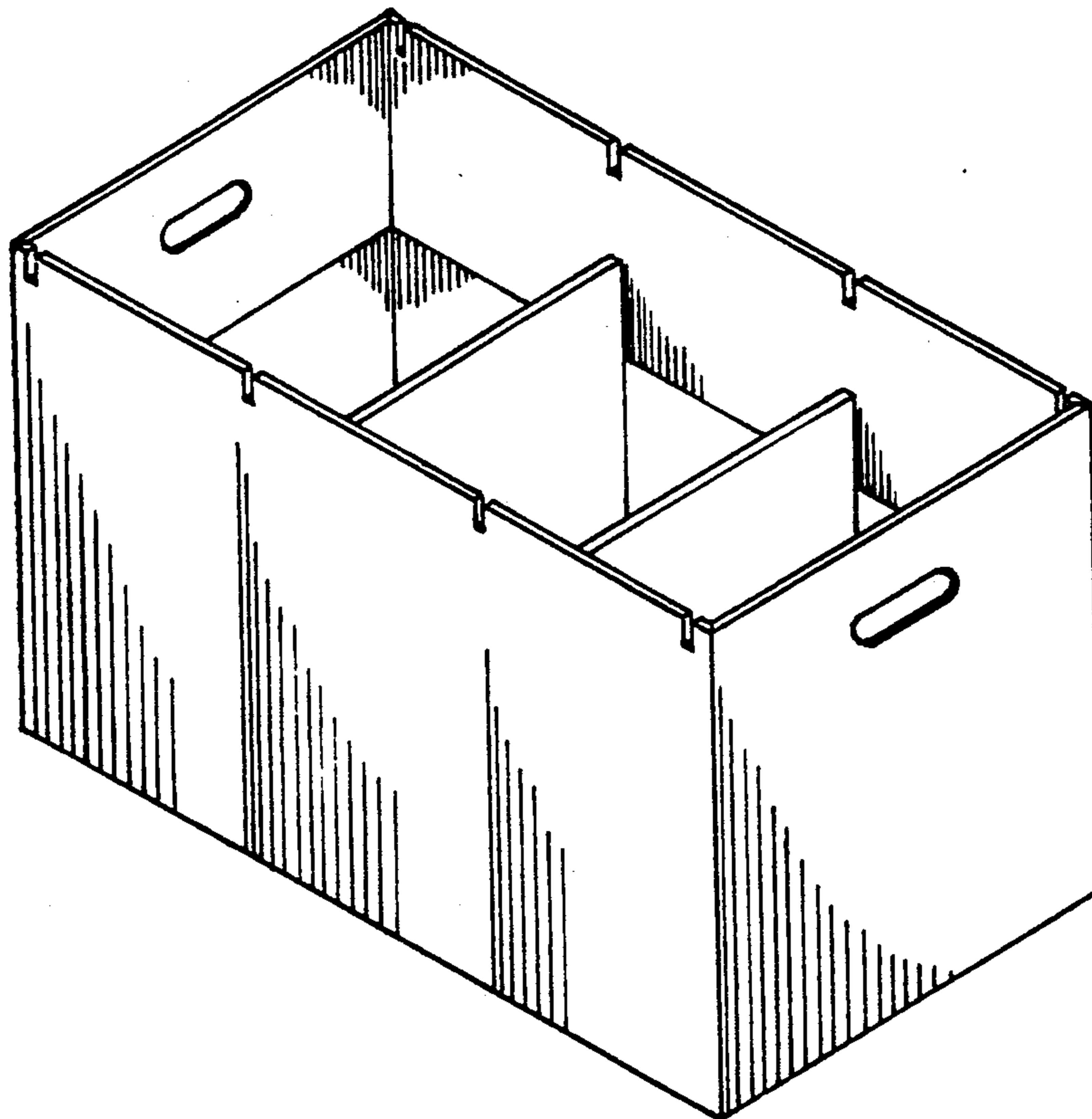
FIG. 9 is a bottom perspective view thereof in a partially assembled condition without partisan;

FIG. 10 is a top perspective view thereof in a partially assembled condition without partisan;

FIG. 11 is a top perspective view thereof in a partially assembled condition showing the partisan in relation to the carton; and,

FIG. 12 is a top perspective view thereof showing one of the top flap folded over the carton's opening.

*Primary Examiner—Kay H. Chin*



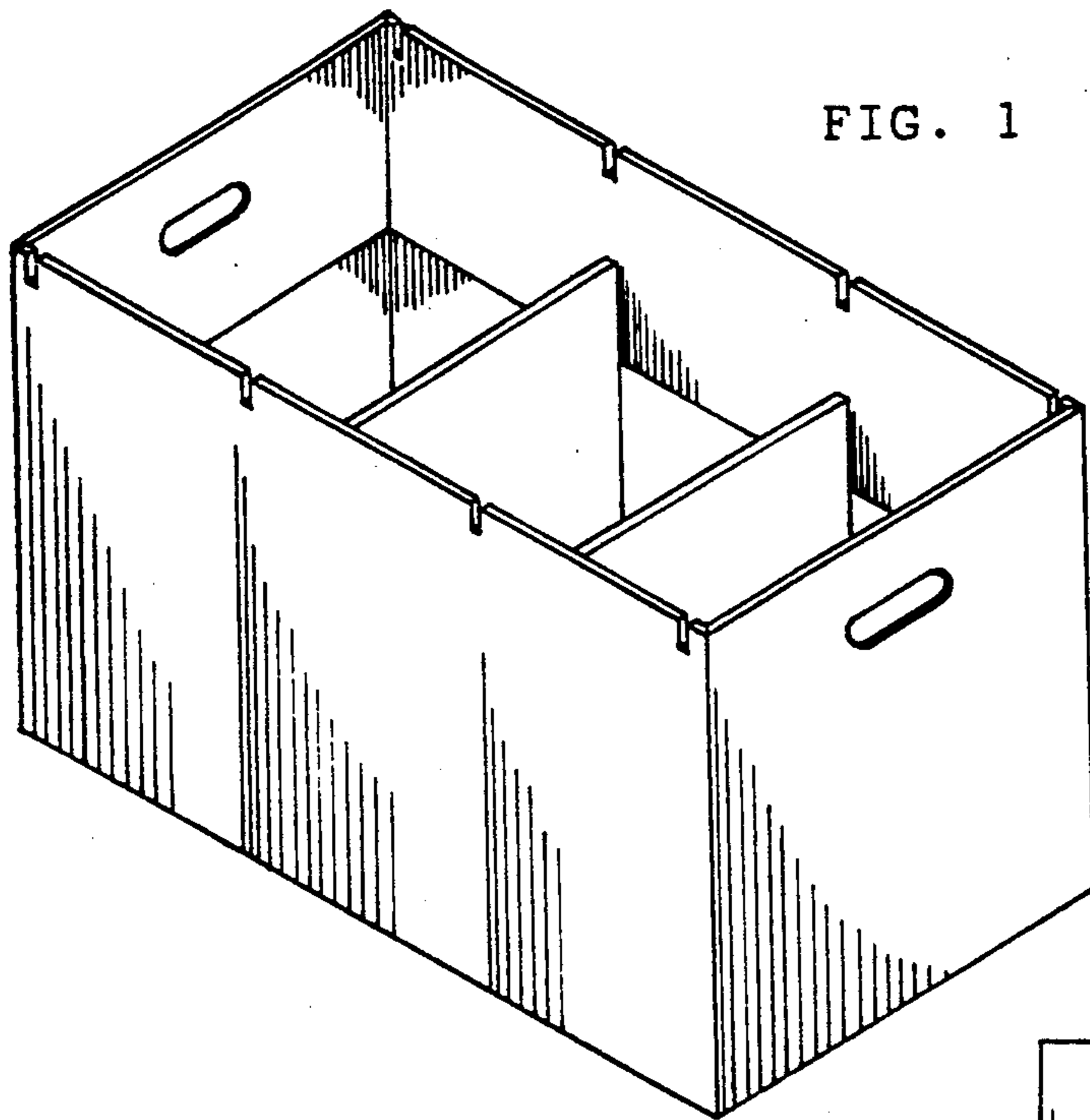


FIG. 1

FIG. 2

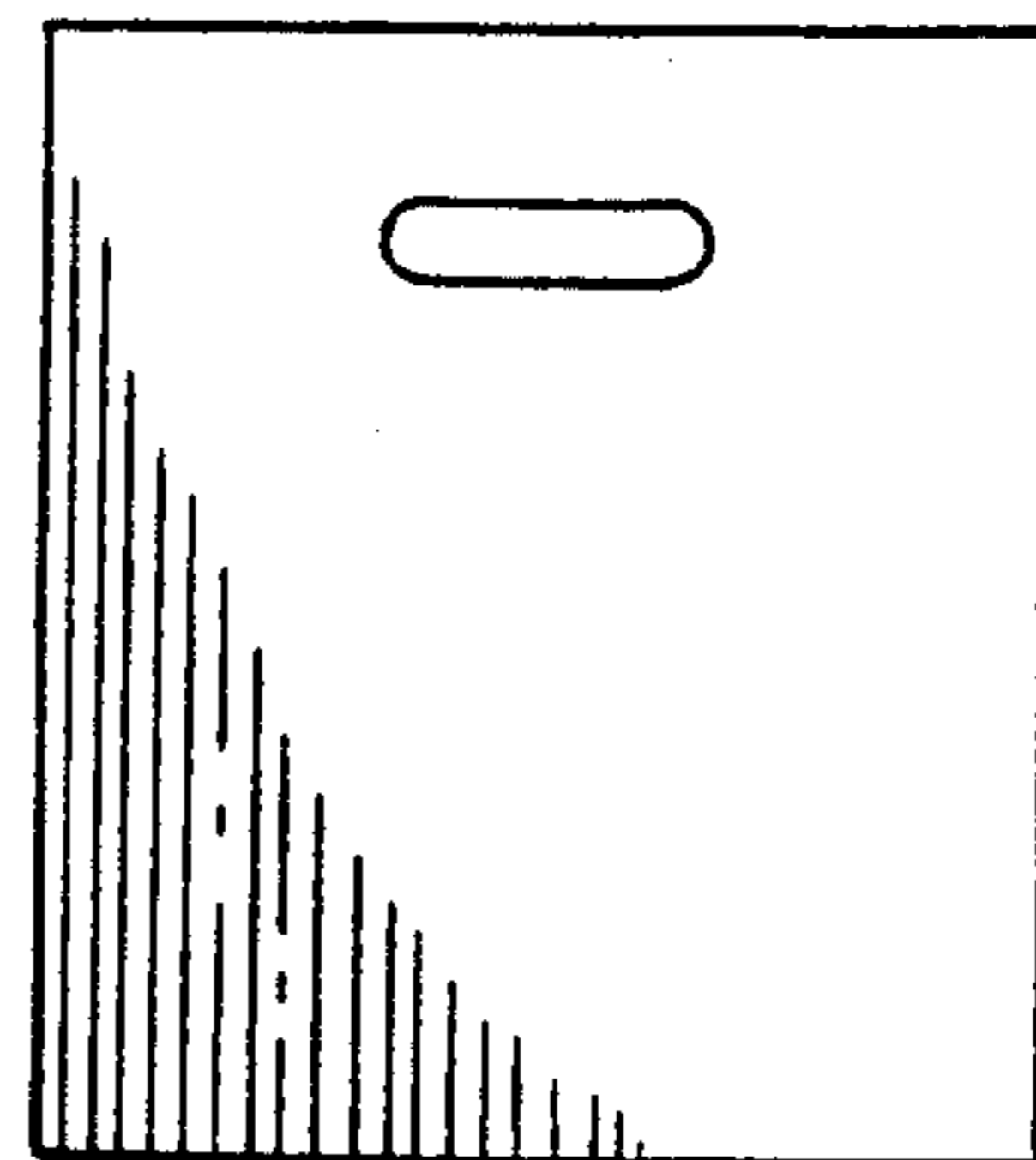


FIG. 5

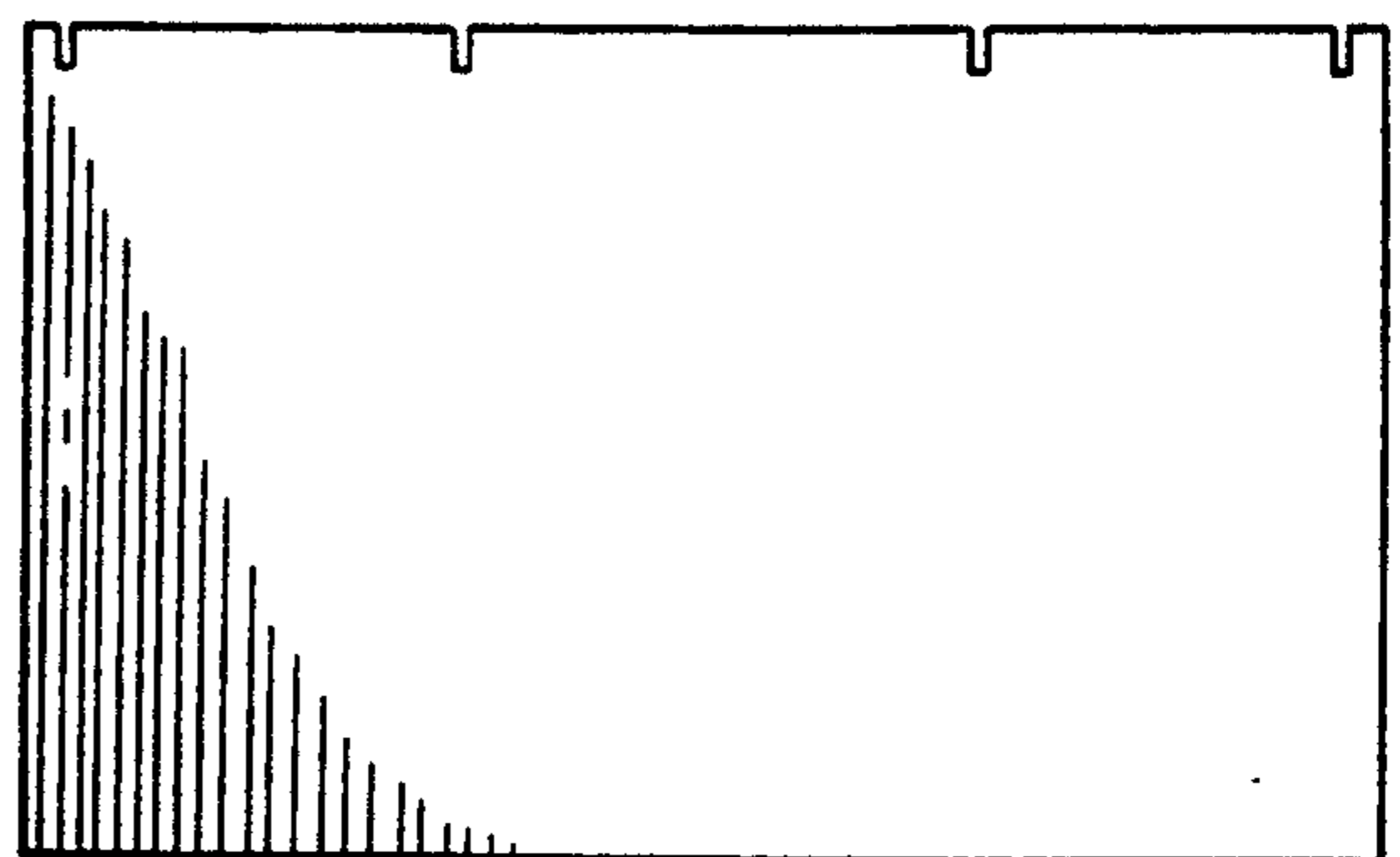
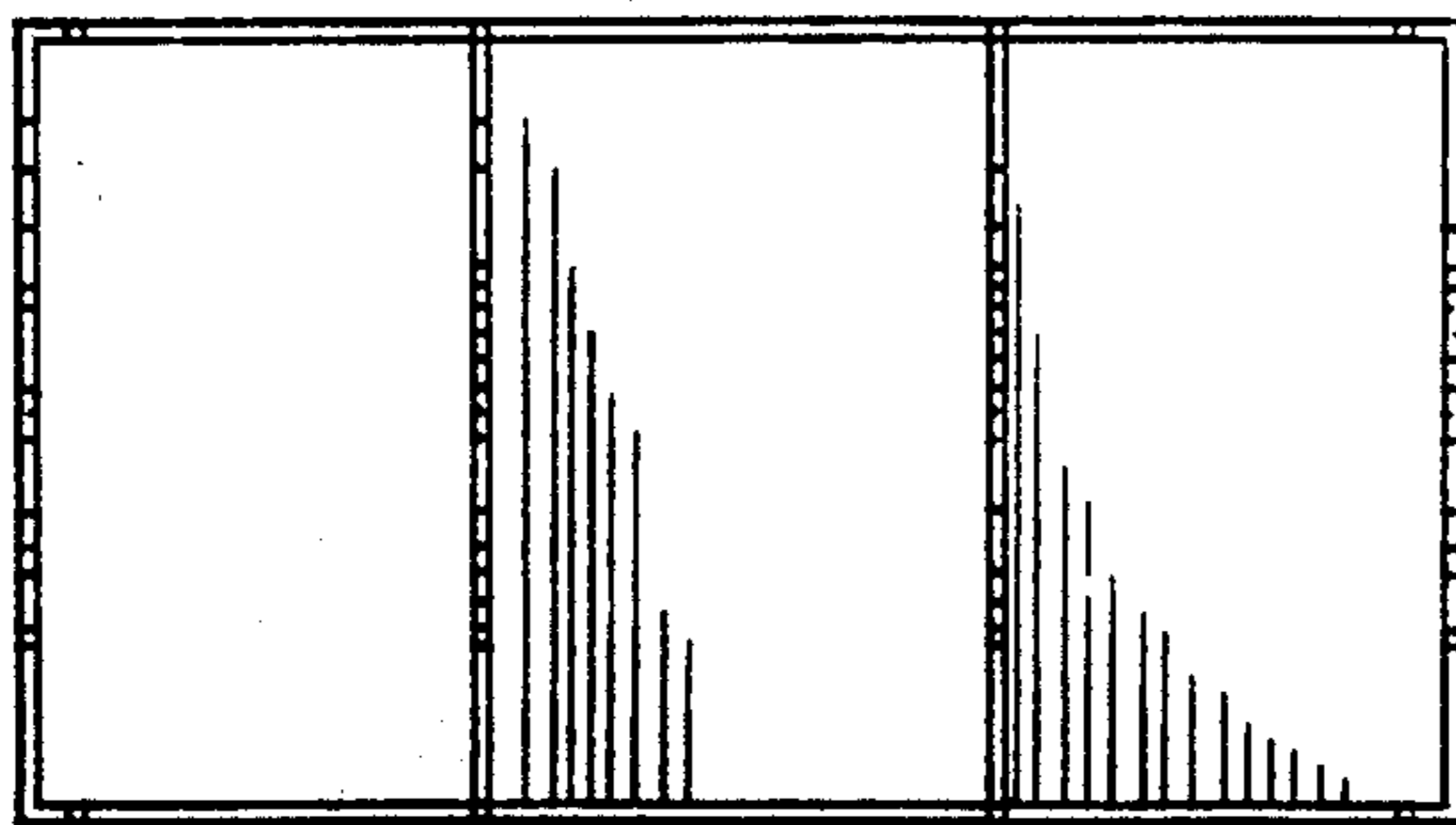


FIG. 3

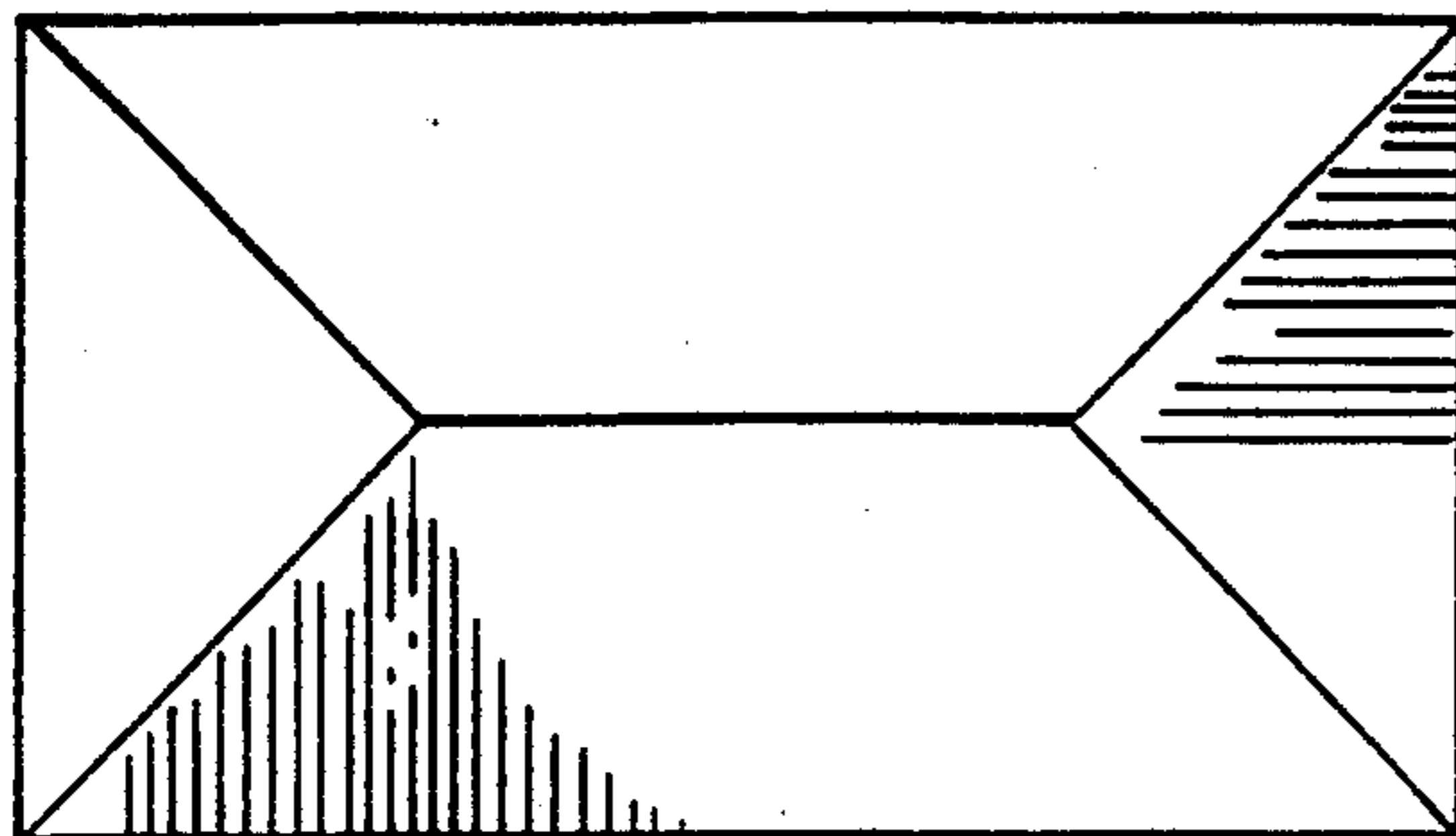


FIG. 4

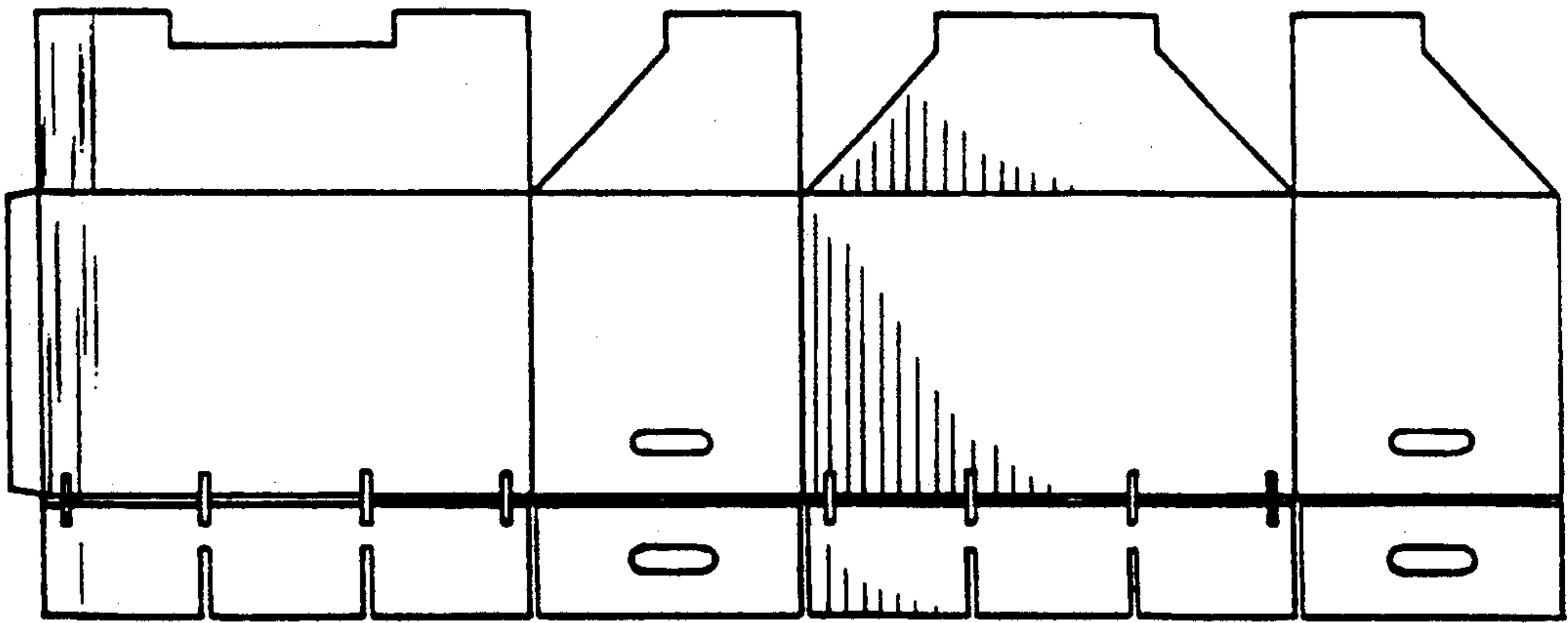


FIG. 6

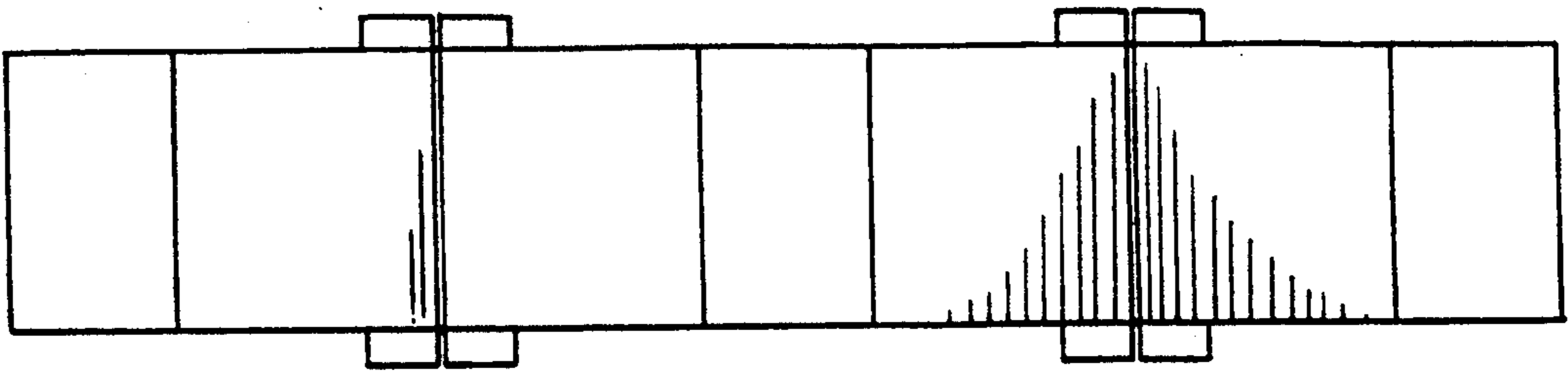


FIG. 7

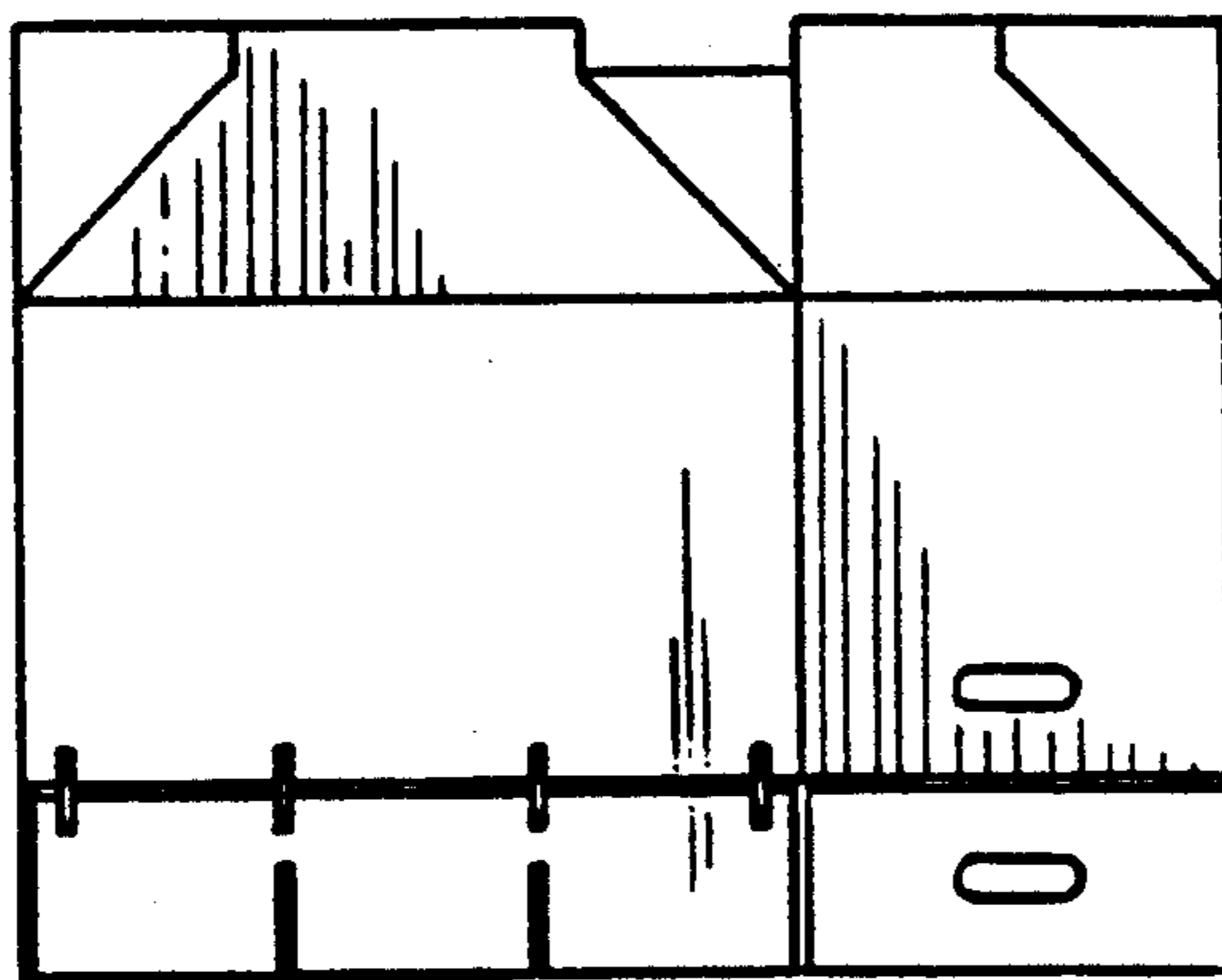


FIG. 8

FIG. 9

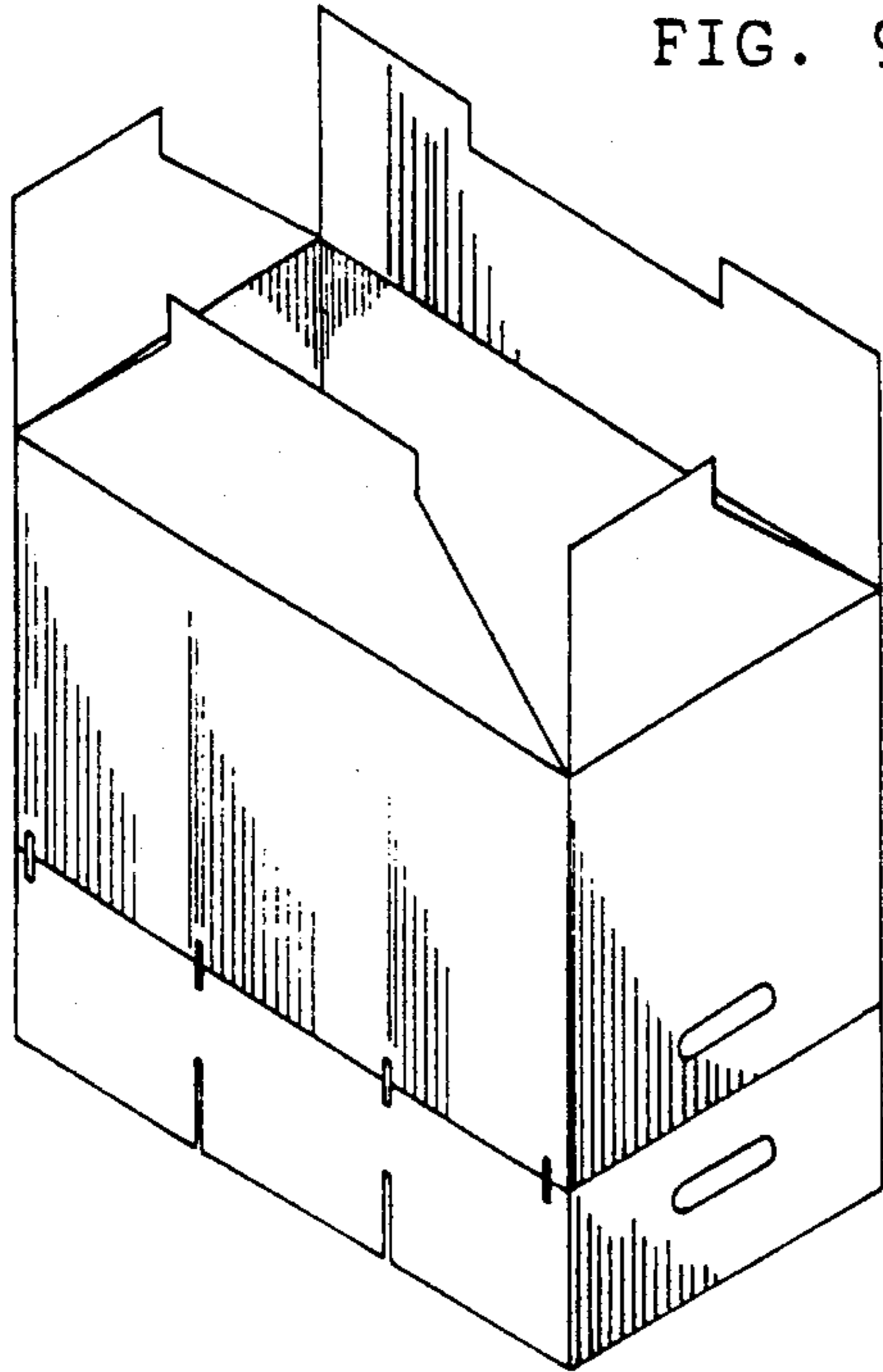


FIG. 10

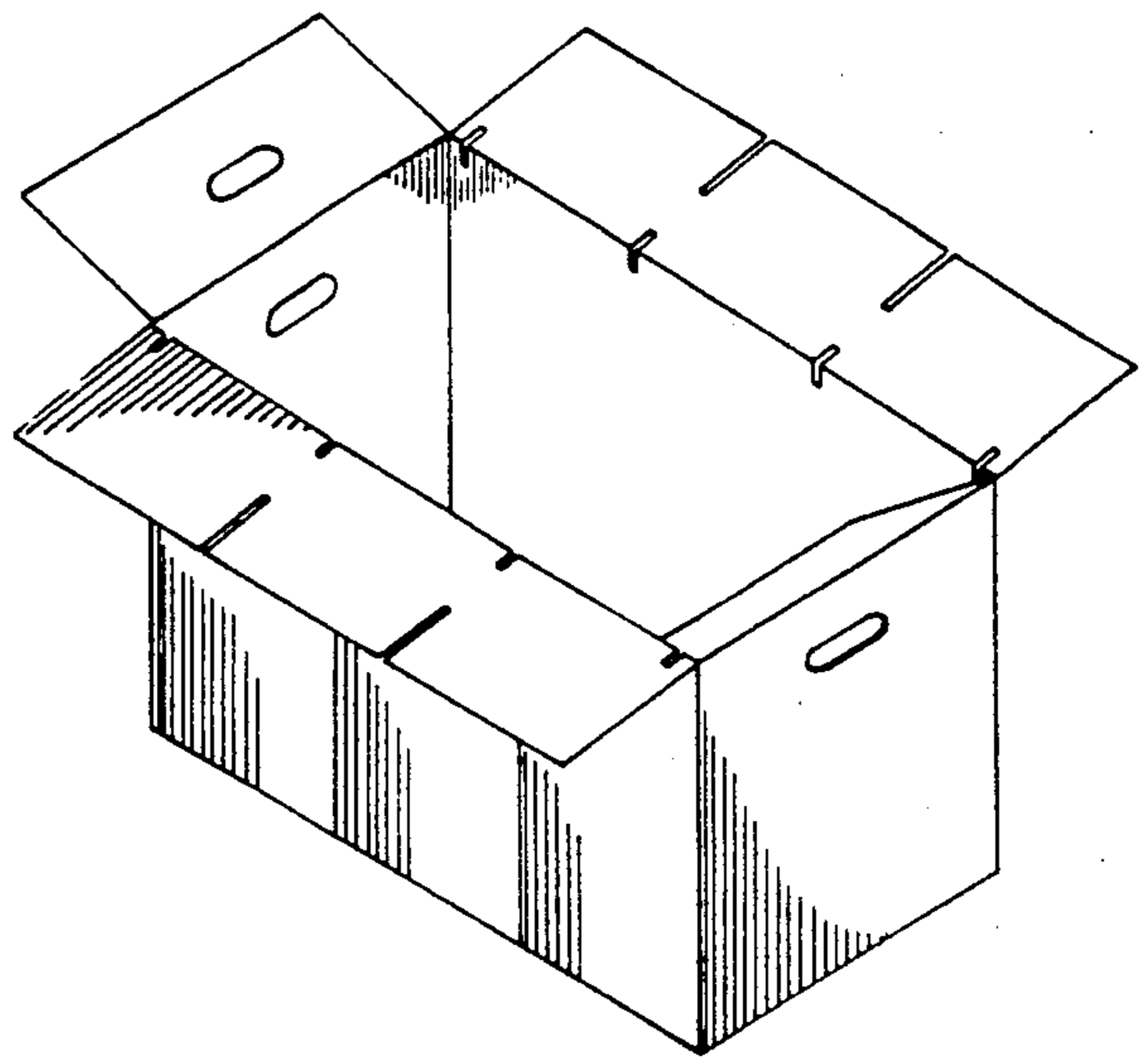


FIG. 11

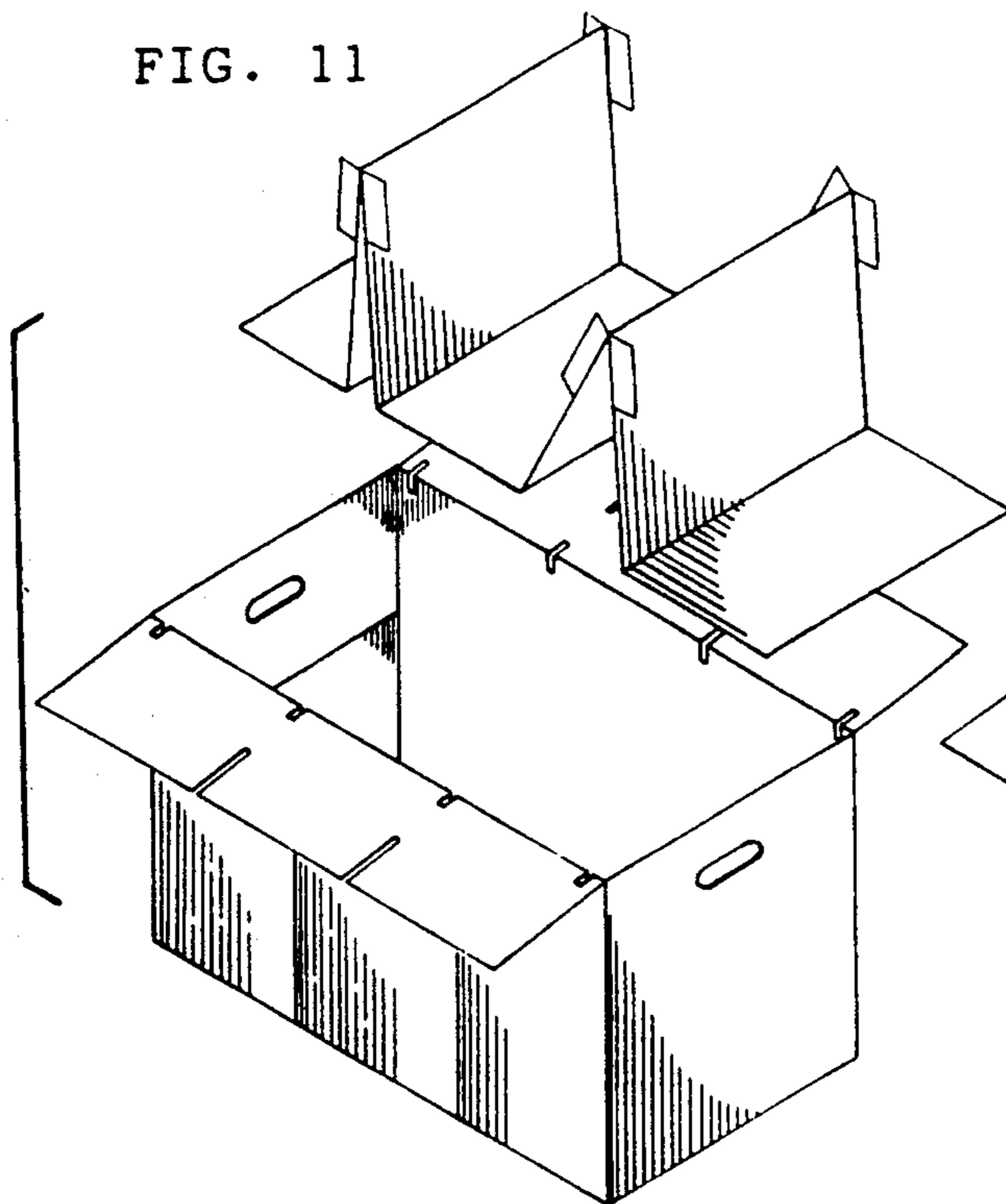


FIG. 12

