



US00D326339S

United States Patent [19]

[11] Patent Number: Des. 326,339

Sherman et al.

[45] Date of Patent: ** May 19, 1992

[54] DENTAL FLOSS DISPENSER HOUSING

4,646,766 3/1987 Stallard 132/91
4,753,254 6/1988 McCullough et al. 132/90

[75] Inventors: Adam Sherman, Brooklyn; Thomas M. Dair, Valley Cottage, both of N.Y.

Primary Examiner—Susan J. Lucas
Assistant Examiner—M. H. Tung
Attorney, Agent, or Firm—Richard J. Ancel; Robert C. Sullivan

[73] Assignee: Colgate-Palmolive Company, Piscataway, N.J.

[57] CLAIM

[**] Term: 14 Years

The ornamental design for a dental floss dispenser housing, as shown and described.

[21] Appl. No.: 369,553

DESCRIPTION

[22] Filed: Jun. 19, 1989

[52] U.S. Cl. D28/64

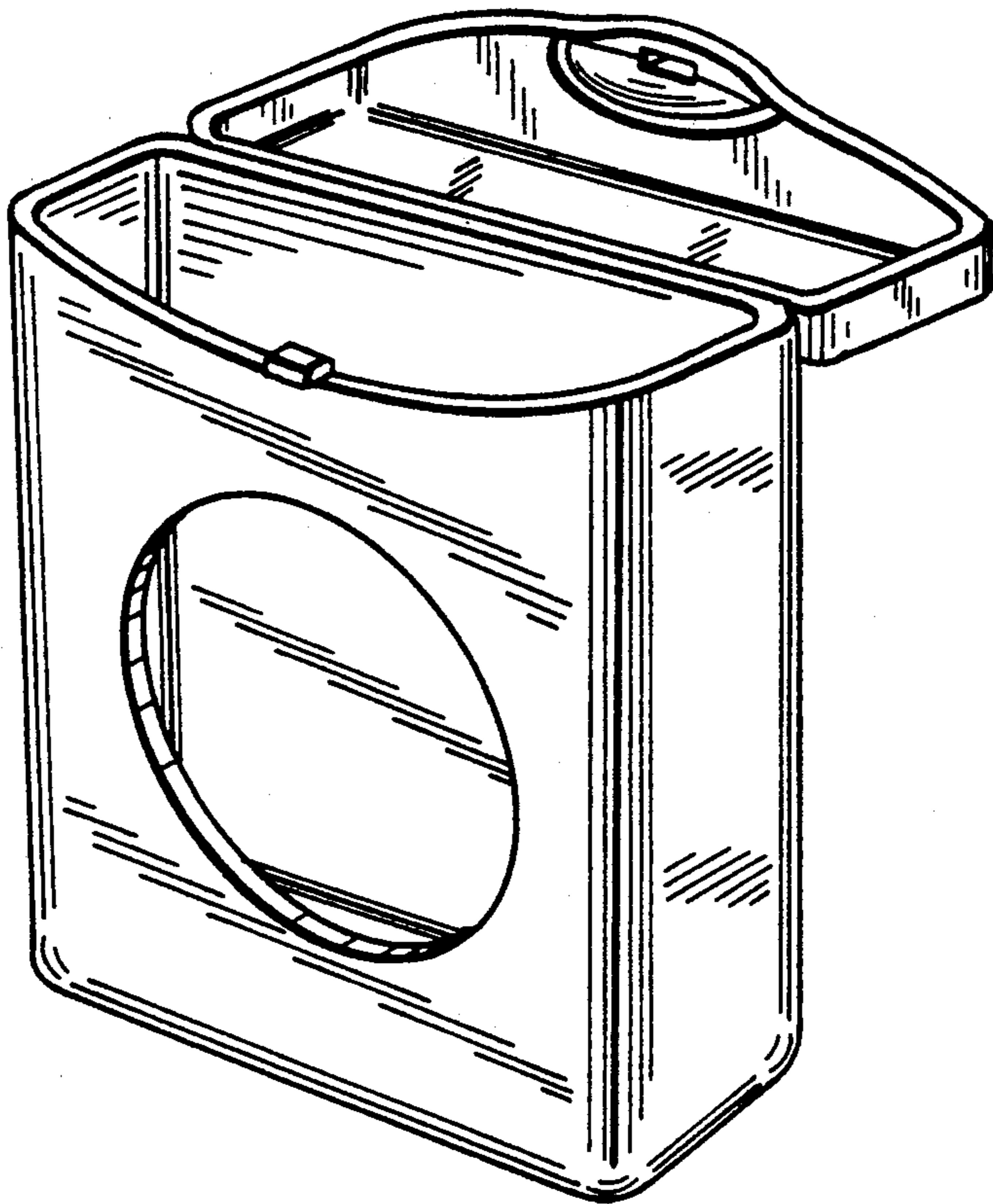
[58] Field of Search D28/64; 132/321-329; 206/63.5, 264, 299; D9/430, 432, 341, 418, 423

FIG. 1 is a front elevational view of a dental floss dispenser showing my new design;
FIG. 2 is a rear elevational view thereof;
FIG. 3 is a top plan view thereof;
FIG. 4 is a bottom plan view thereof;
FIG. 5 is a right side elevational view thereof, the left side being a mirror image;
FIG. 6 is a front elevational view thereof, the lid in an open position;
FIG. 7 is a top plan view thereof;
FIG. 8 is a cross-sectional view thereof, taken on line 8—8 of FIG. 1;
FIG. 9 is a fragmentary cross-sectional view thereof, taken on line 9—9 of FIG. 7, on an enlarged scale; and,
FIG. 10 is a perspective view thereof.
The broken line drawings of dental floss in FIGS. 6, 7 and 10 and the insert in FIGS. 6, 7, 8, 9, 10 and 11 are for illustrative purposes only and form no part of the claimed design.

[56] References Cited

U.S. PATENT DOCUMENTS

D. 189,548	1/1961	Gershen	D28/64
D. 192,007	1/1962	Gershen	D28/64
D. 249,870	10/1978	Tillander	D9/418 X
D. 255,547	6/1980	Grodin	D9/418
D. 271,431	11/1983	Seelig	D28/64
2,625,292	1/1953	Spender	220/31
2,929,541	3/1960	Castelli et al.	225/51
3,246,815	4/1966	Aronson	225/44
3,387,736	6/1968	Williamson	206/264 X
3,489,313	1/1970	Haugen	220/31
3,968,880	7/1976	Ostrowsky	206/540
4,290,223	9/1981	Ostenberg et al.	43/54.5 R
4,606,134	8/1986	Flick	



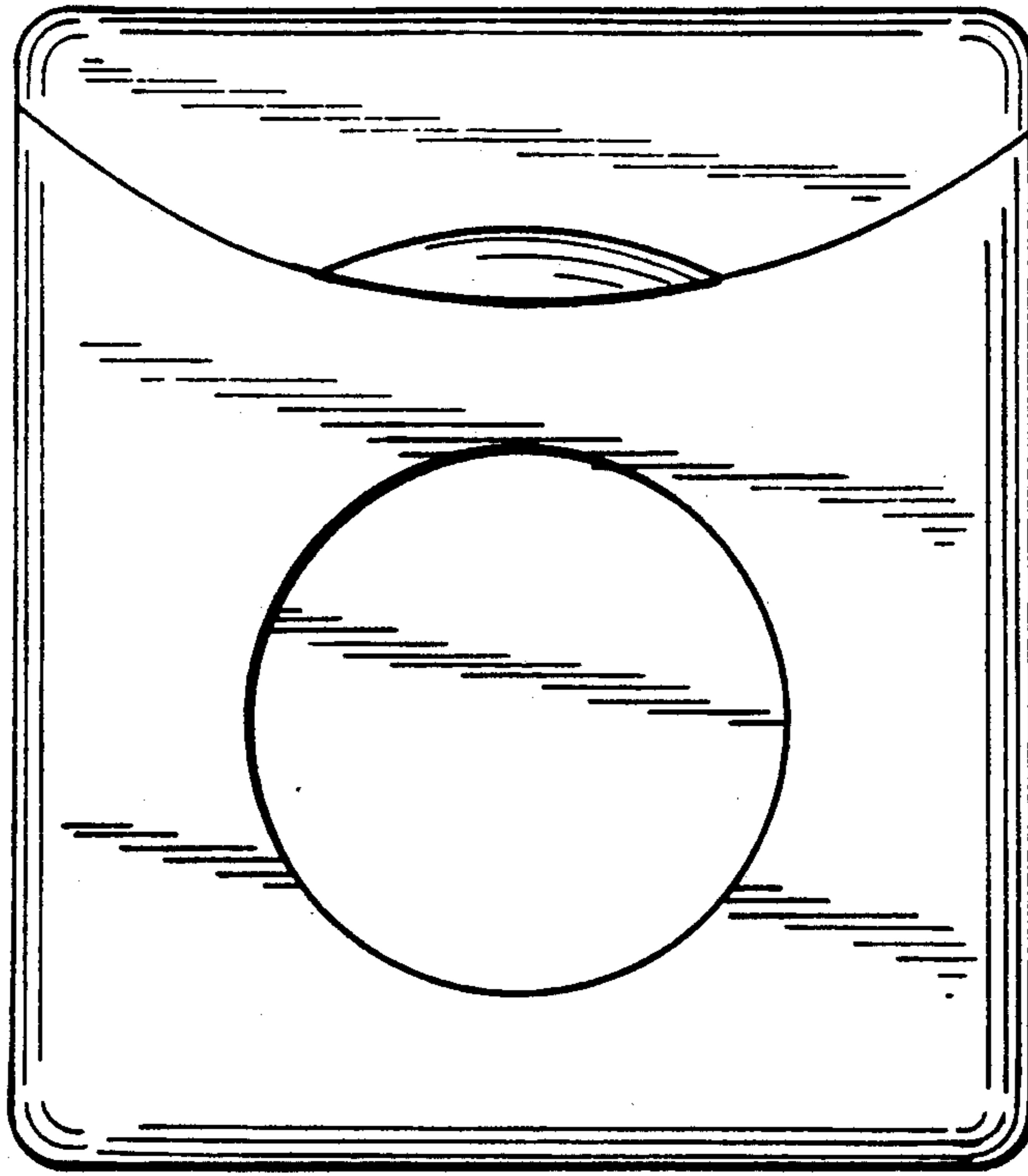


FIG. 1

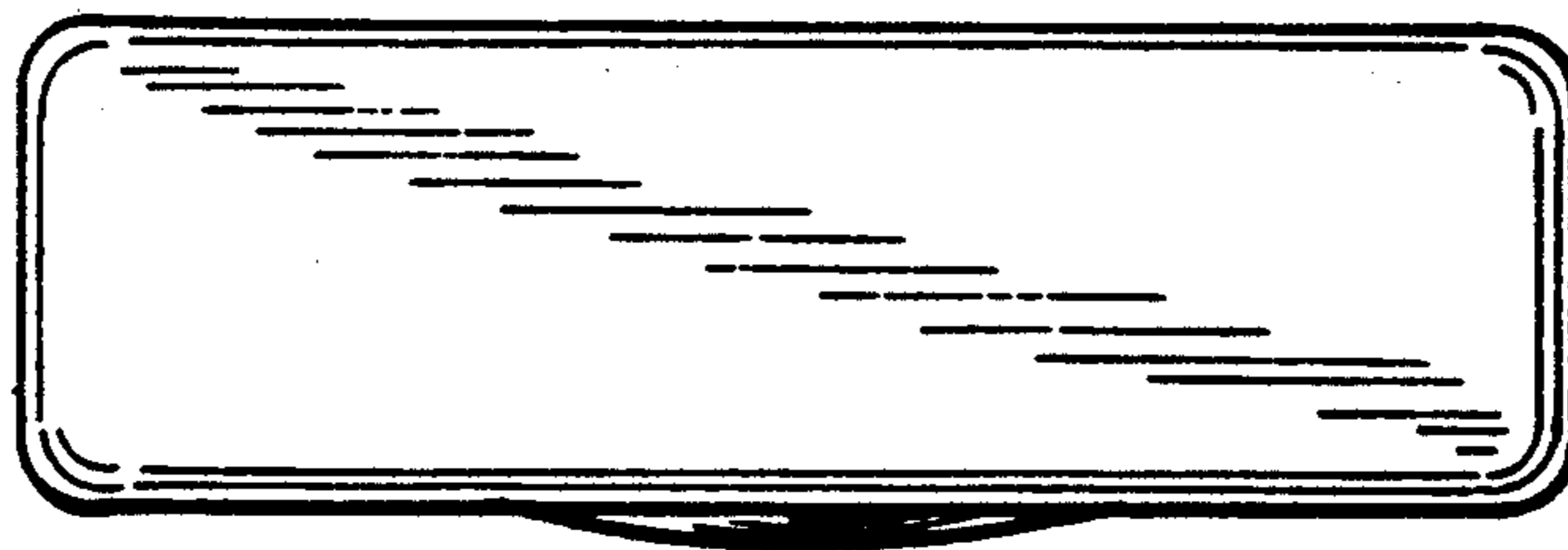


FIG. 3

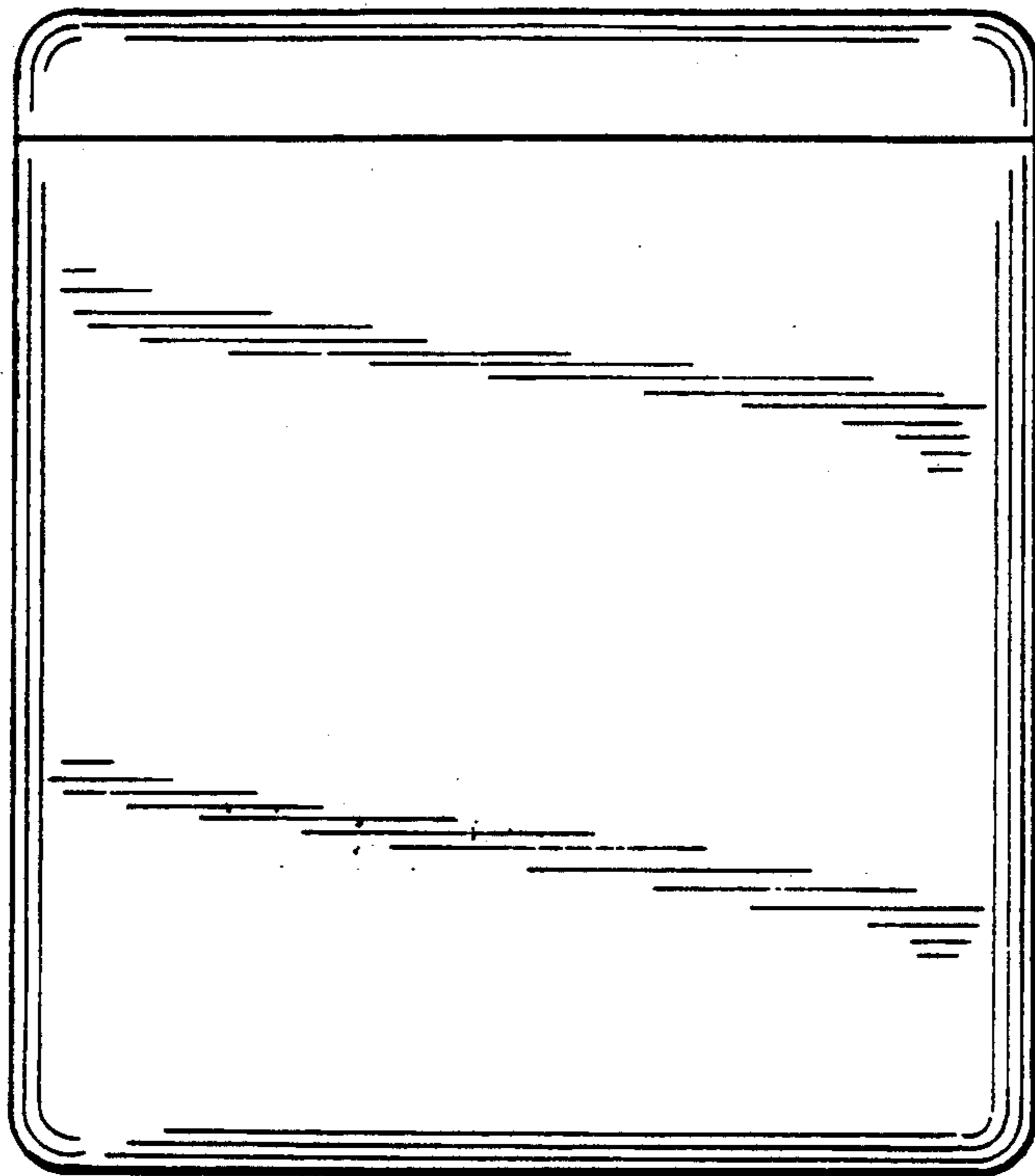


FIG. 2

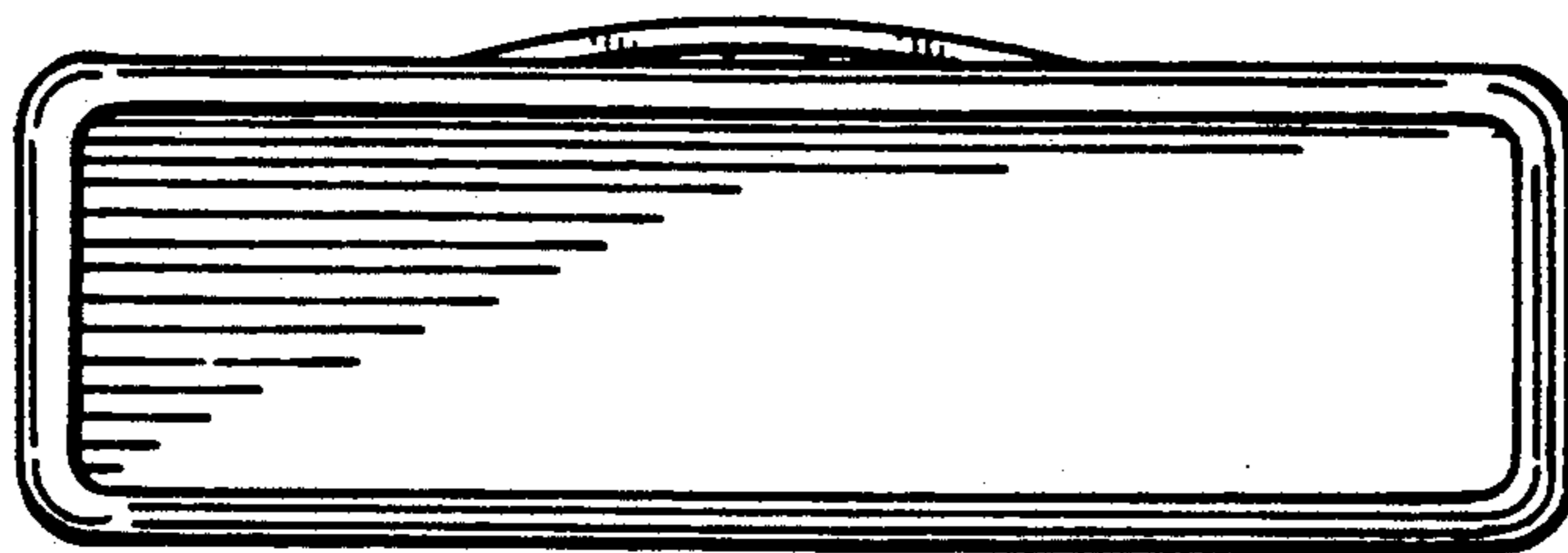


FIG. 4

FIG. 5

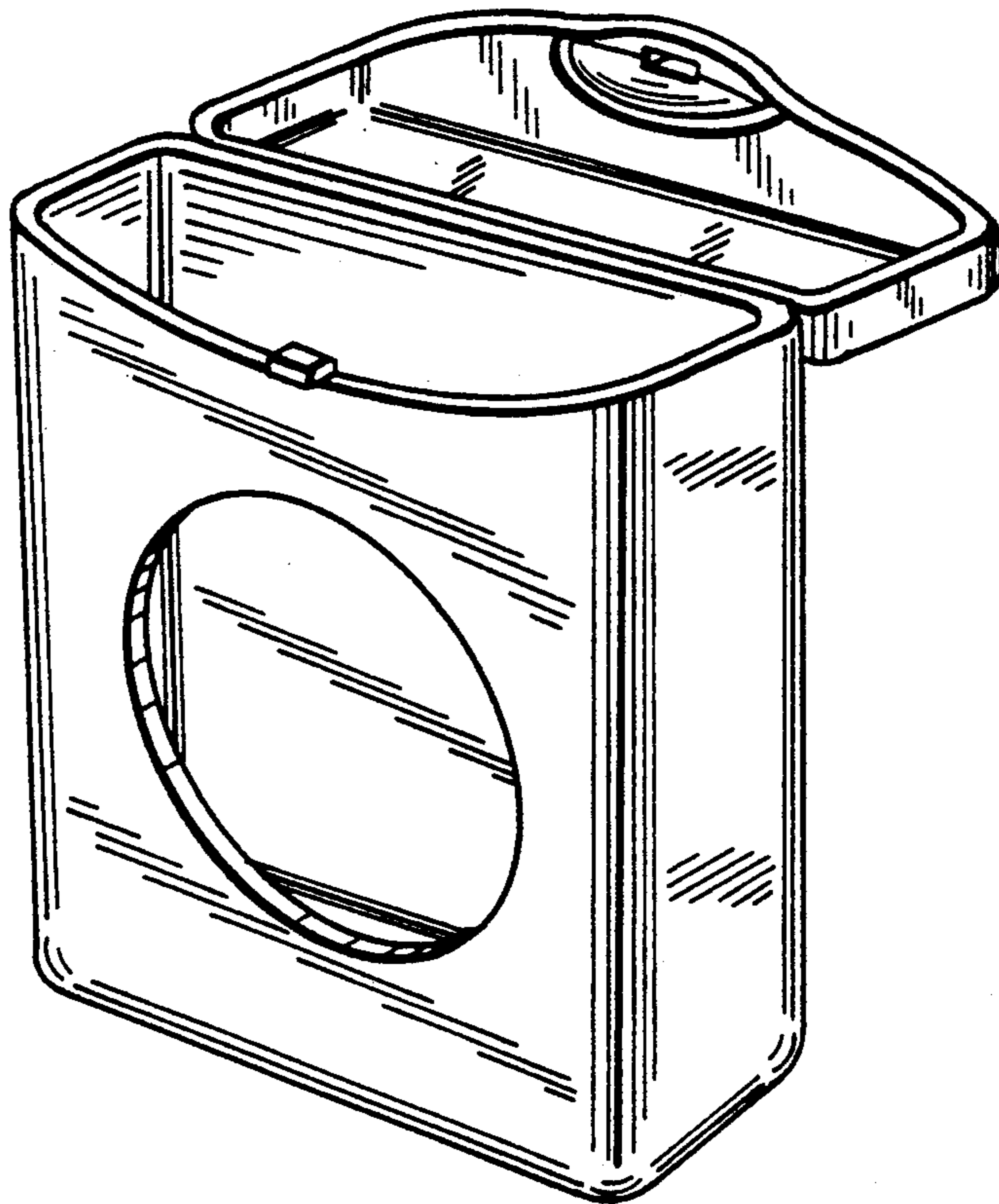
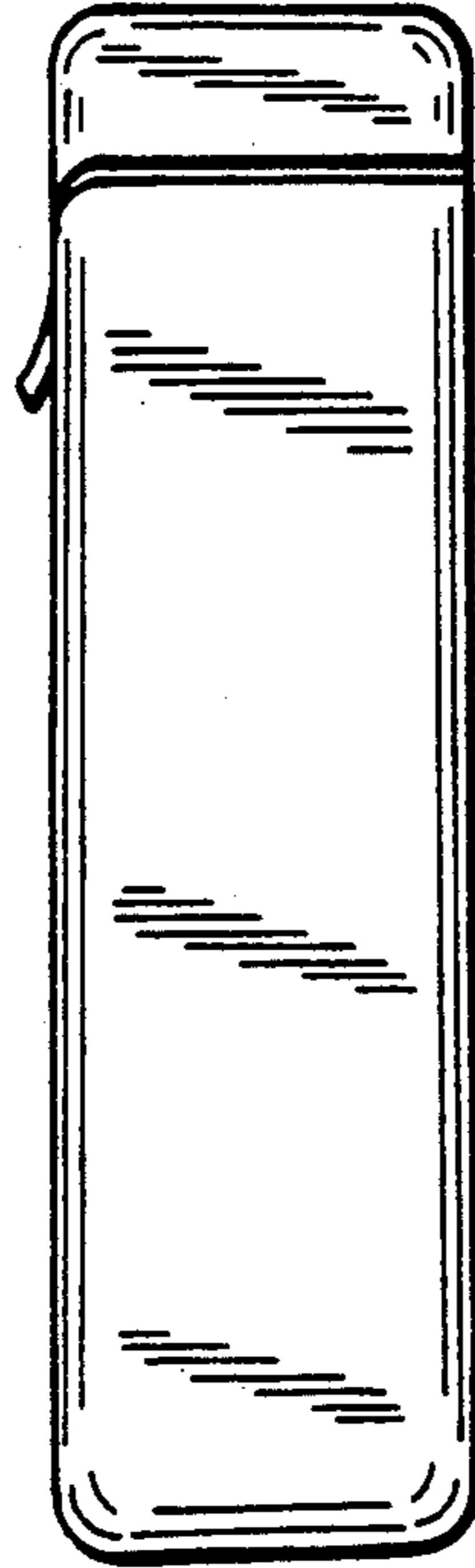


FIG. 10

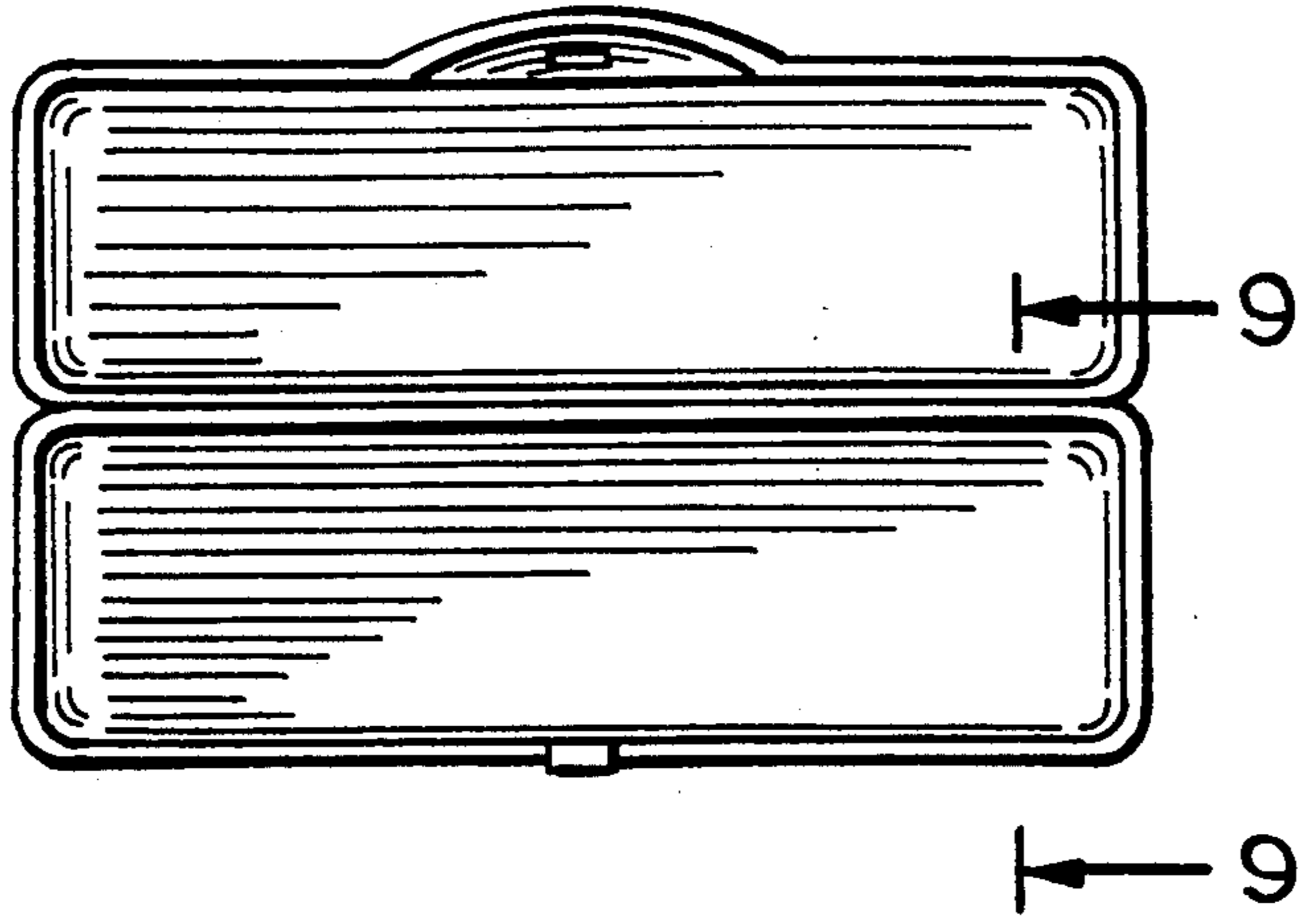


FIG. 7

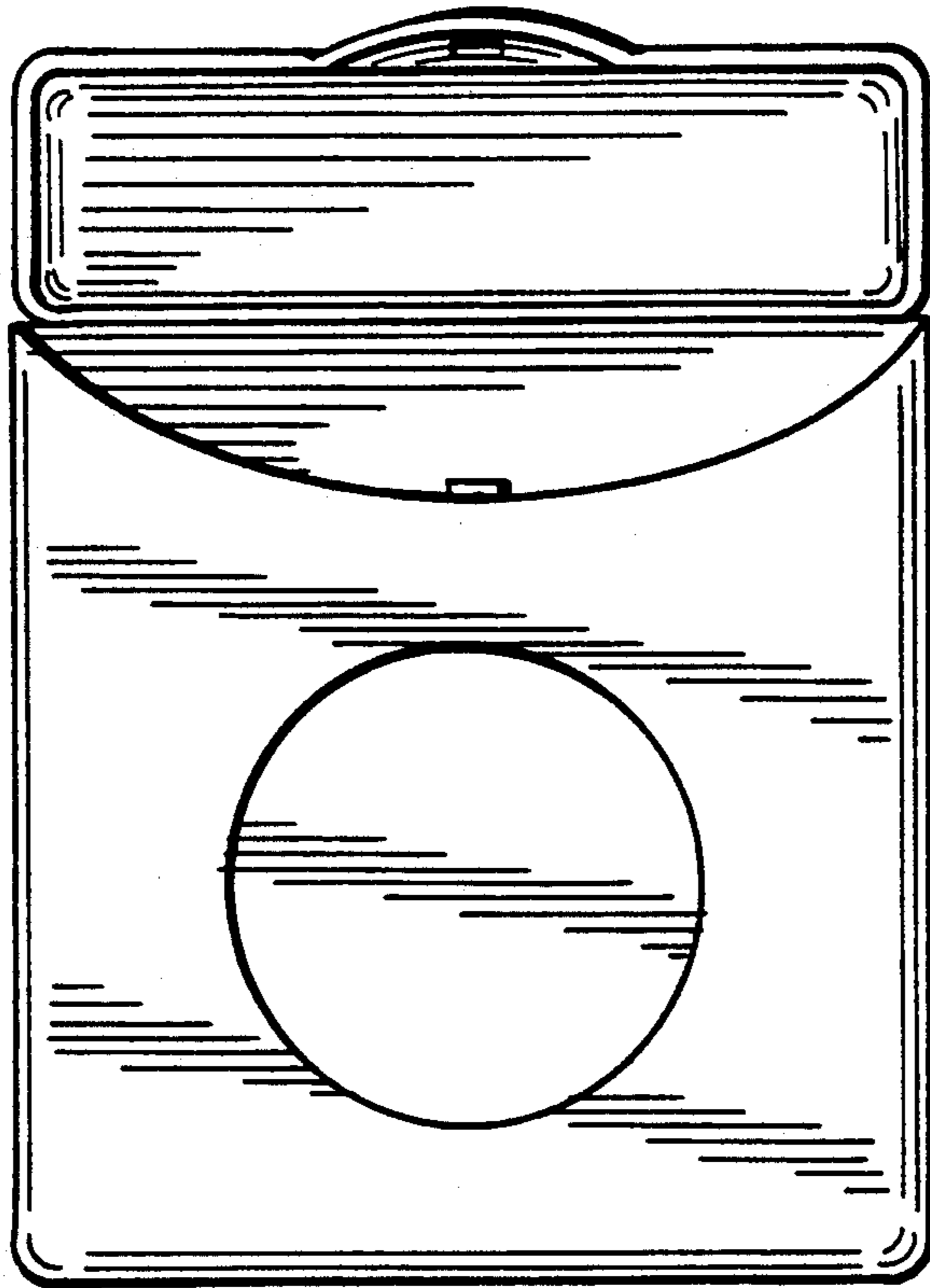


FIG. 6

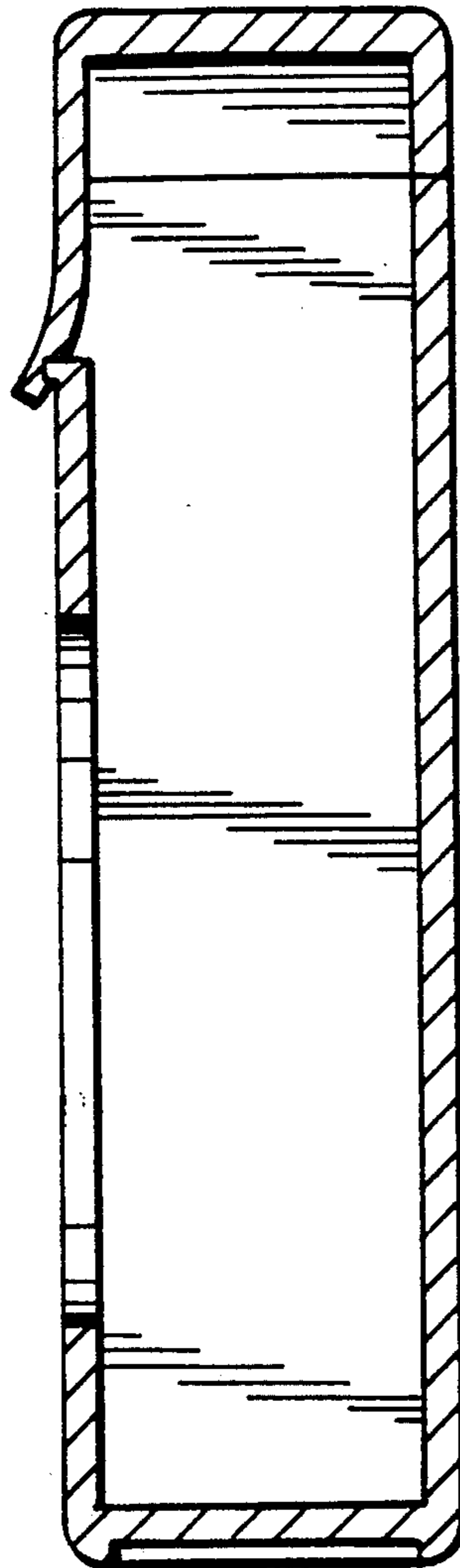


FIG. 8

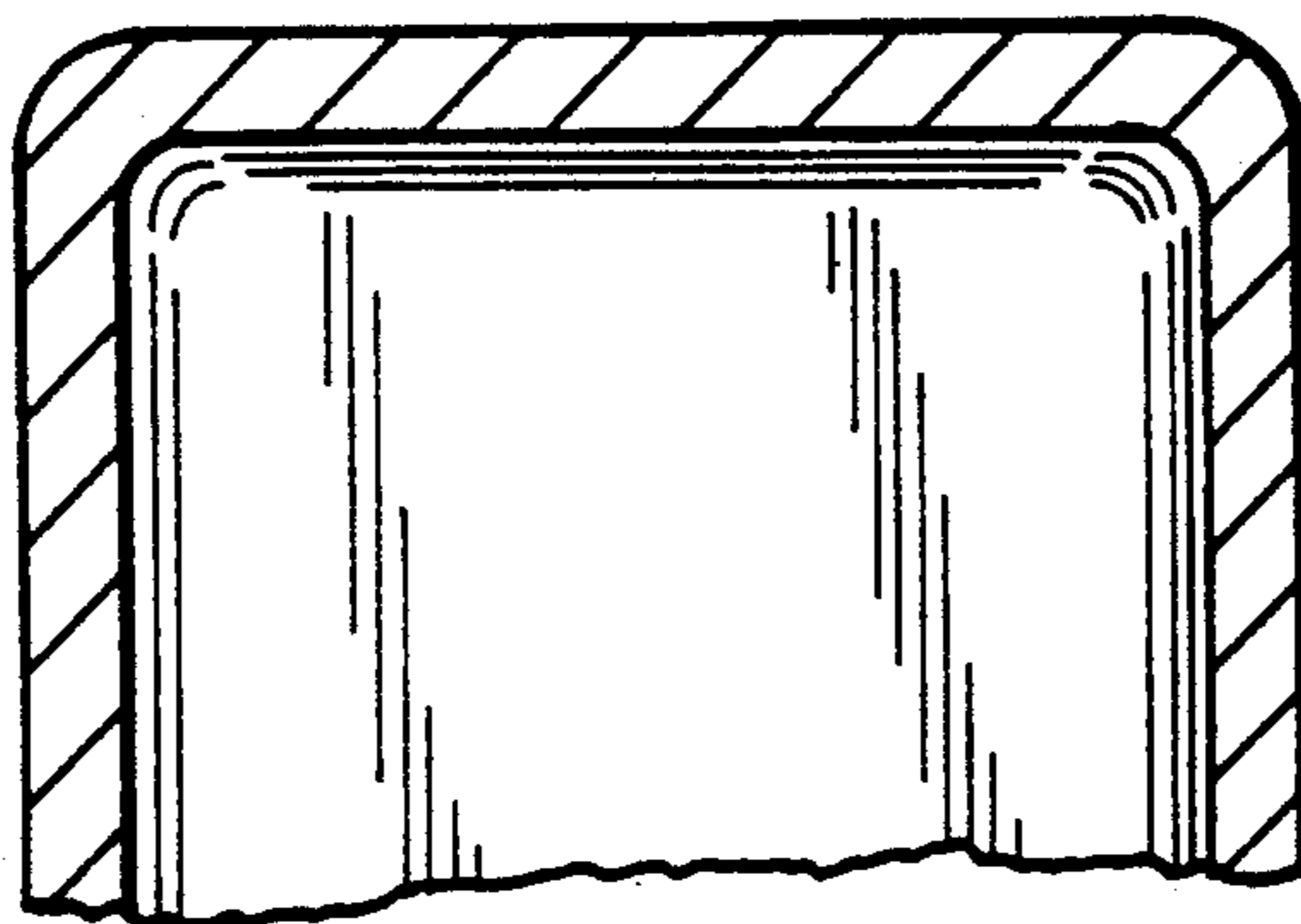


FIG. 9