



US00D326334S

United States Patent [19]

[11] Patent Number: Des. 326,334

Meyer et al.

[45] Date of Patent: ** May 19, 1992

[54] LAMP HEAD FOR AN ADJUSTABLE TASK LIGHT

[75] Inventors: Carl X. Meyer, Grantwood Village; Louis O. Vitt, St. Louis; David P. Burchell, Valley Park; James A. Schmid, St. Louis, all of Mo.

[73] Assignee: Dazor Manufacturing Corporation, St. Louis, Mo.

[**] Term: 14 Years

[21] Appl. No.: 596,899

[22] Filed: Oct. 12, 1990

[52] U.S. Cl. D26/65

[58] Field of Search D26/60-66; 362/269, 275, 285, 401, 402, 413, 418, 419, 427

[56] References Cited

U.S. PATENT DOCUMENTS

- D. 285,120 8/1986 Krogsrud D26/65
- D. 301,633 6/1989 Shwisha D26/63

OTHER PUBLICATIONS

Electrix® Task lighting™ Price Schedule, May 1987, p. 7, Clamp-On Halogen Lamp #7505.

Primary Examiner—Susan J. Lucas
Attorney, Agent, or Firm—Cohn, Powell & Hind

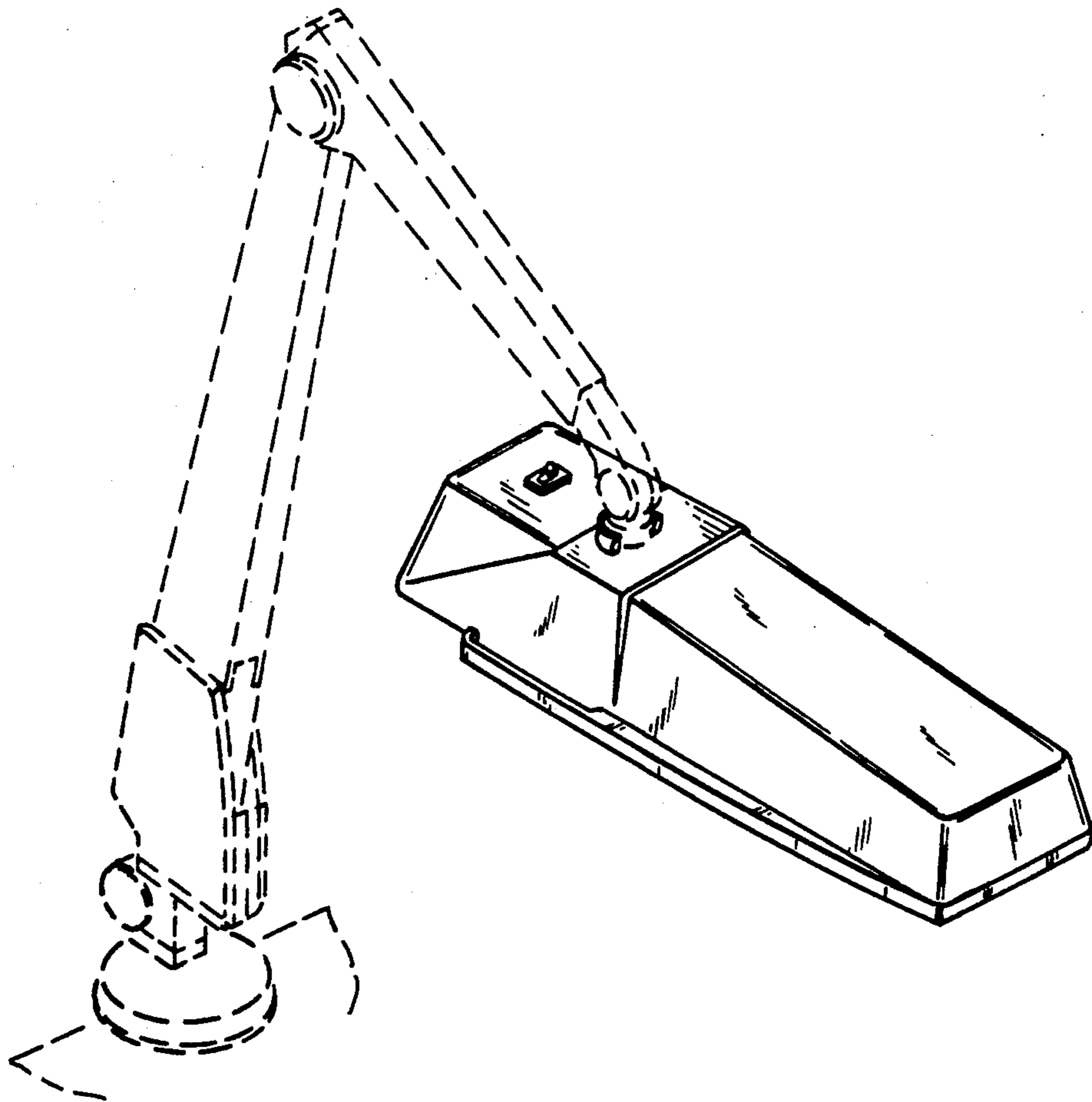
[57] CLAIM

The ornamental design for a lamp head for an adjustable task light, as shown and described.

DESCRIPTION

FIG. 1 is a top, front perspective view of a lamp head for an adjustable task light showing our new design; FIG. 2 is a top plan view thereof; FIG. 3 is a left side elevational view thereof relative to the front of the lamp; FIG. 4 is a right side elevational view thereof relative to the front of the lamp; FIG. 5 is a front elevational view thereof; FIG. 6 is a rear elevational view thereof; and, FIG. 7 is a bottom plan view thereof.

The articulated arm is shown in broken lines for illustrative purposes only and form no part of the claimed design.



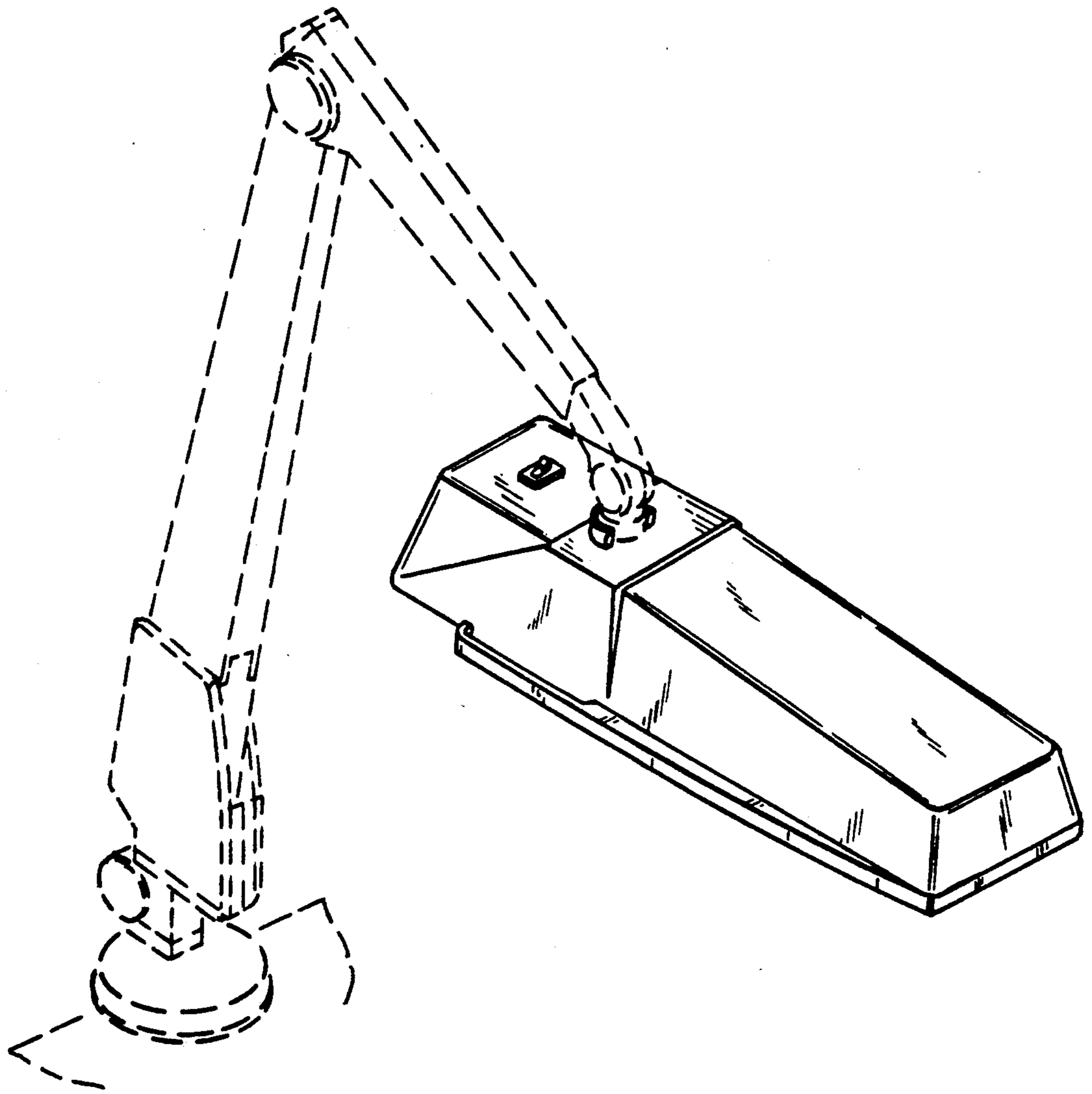


FIG. 1.

FIG. 2.

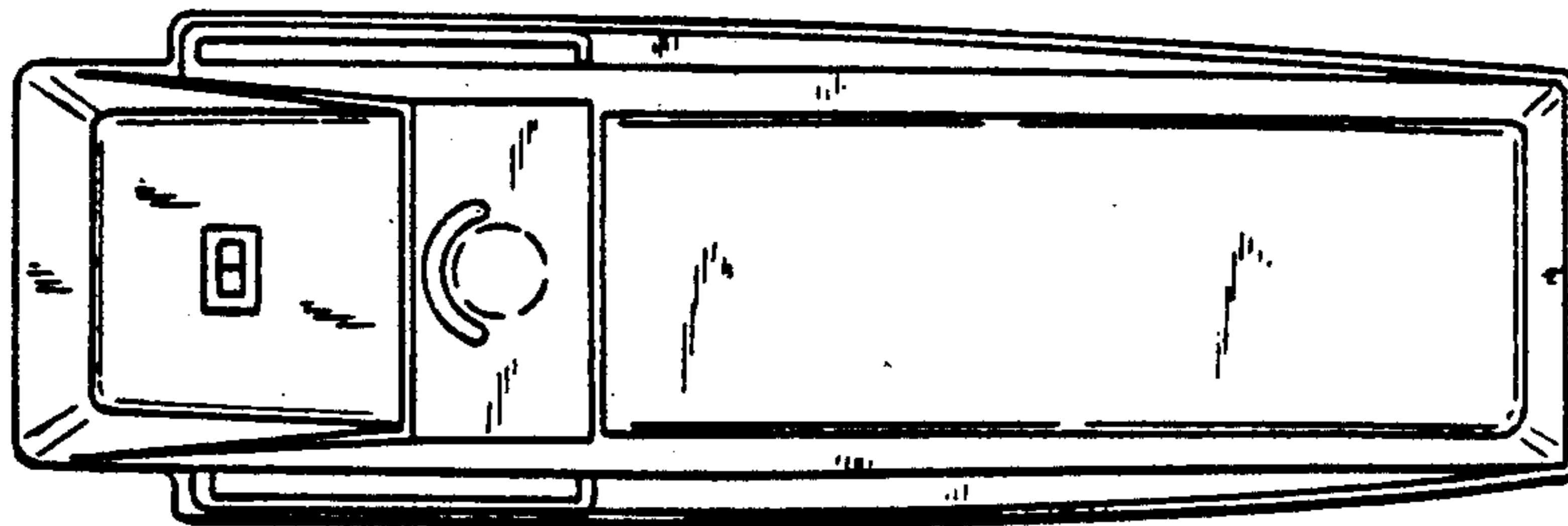


FIG. 3.

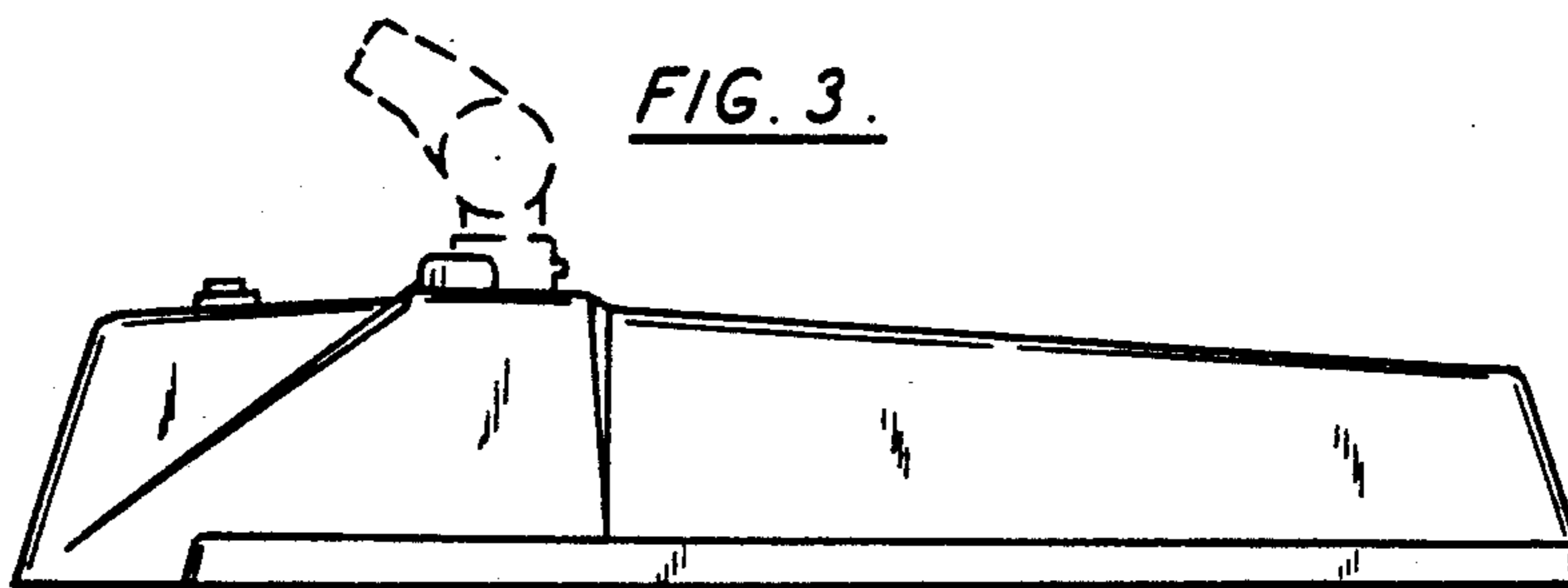


FIG. 4.

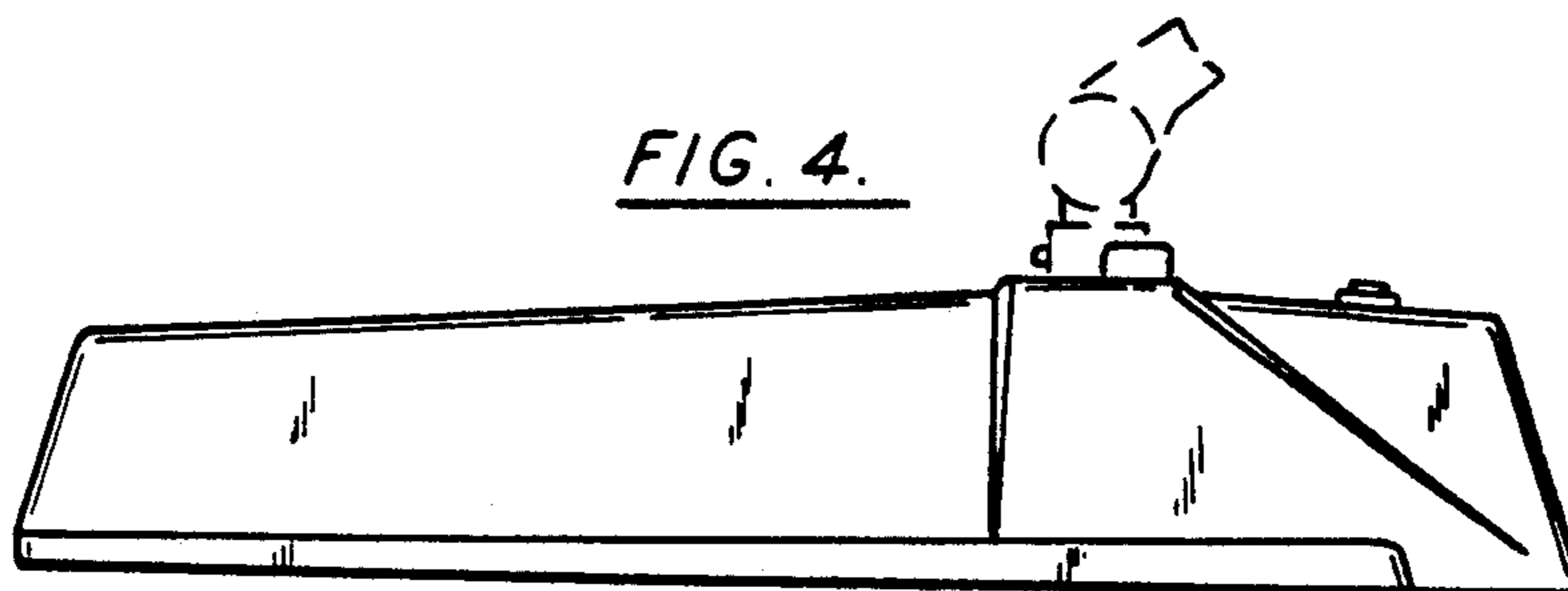


FIG. 5.

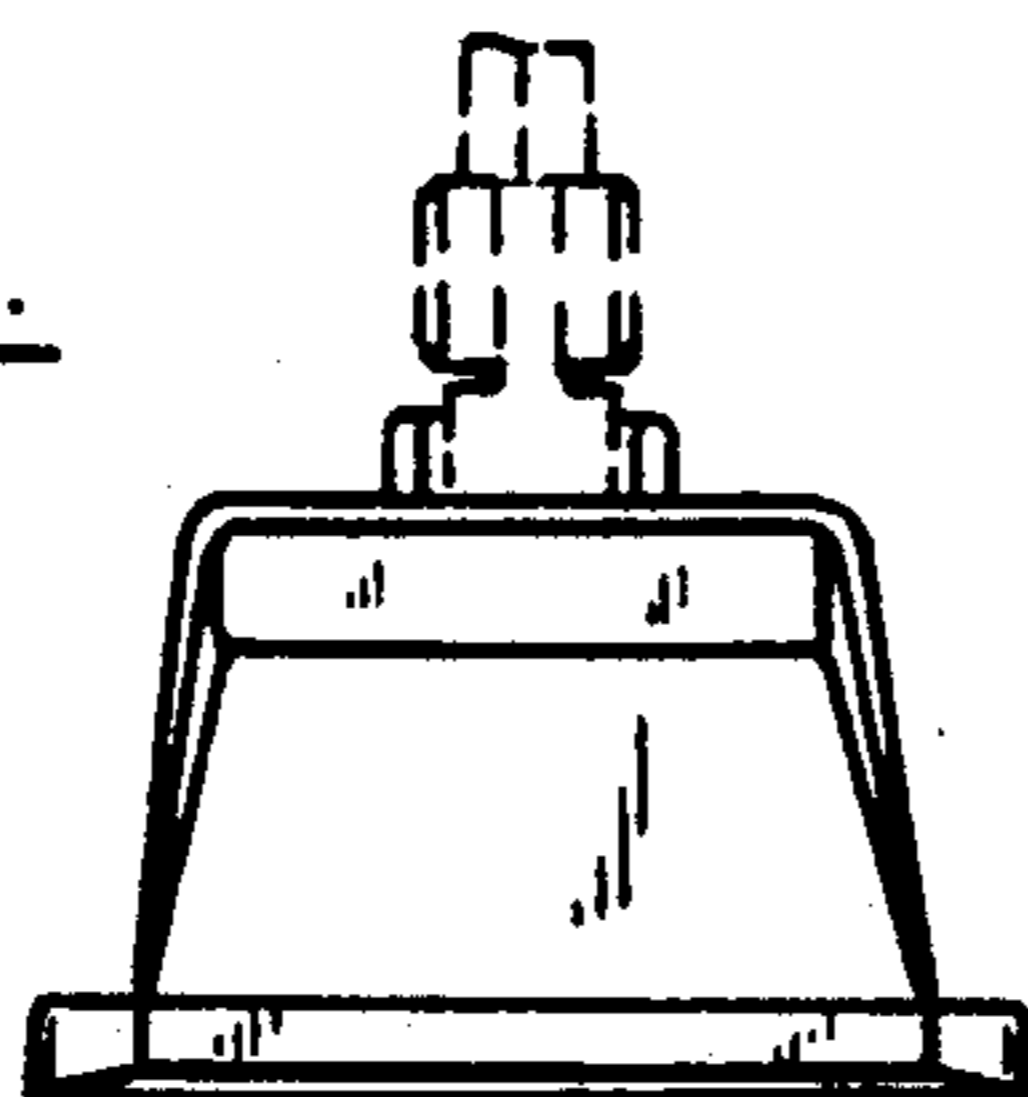


FIG. 6.

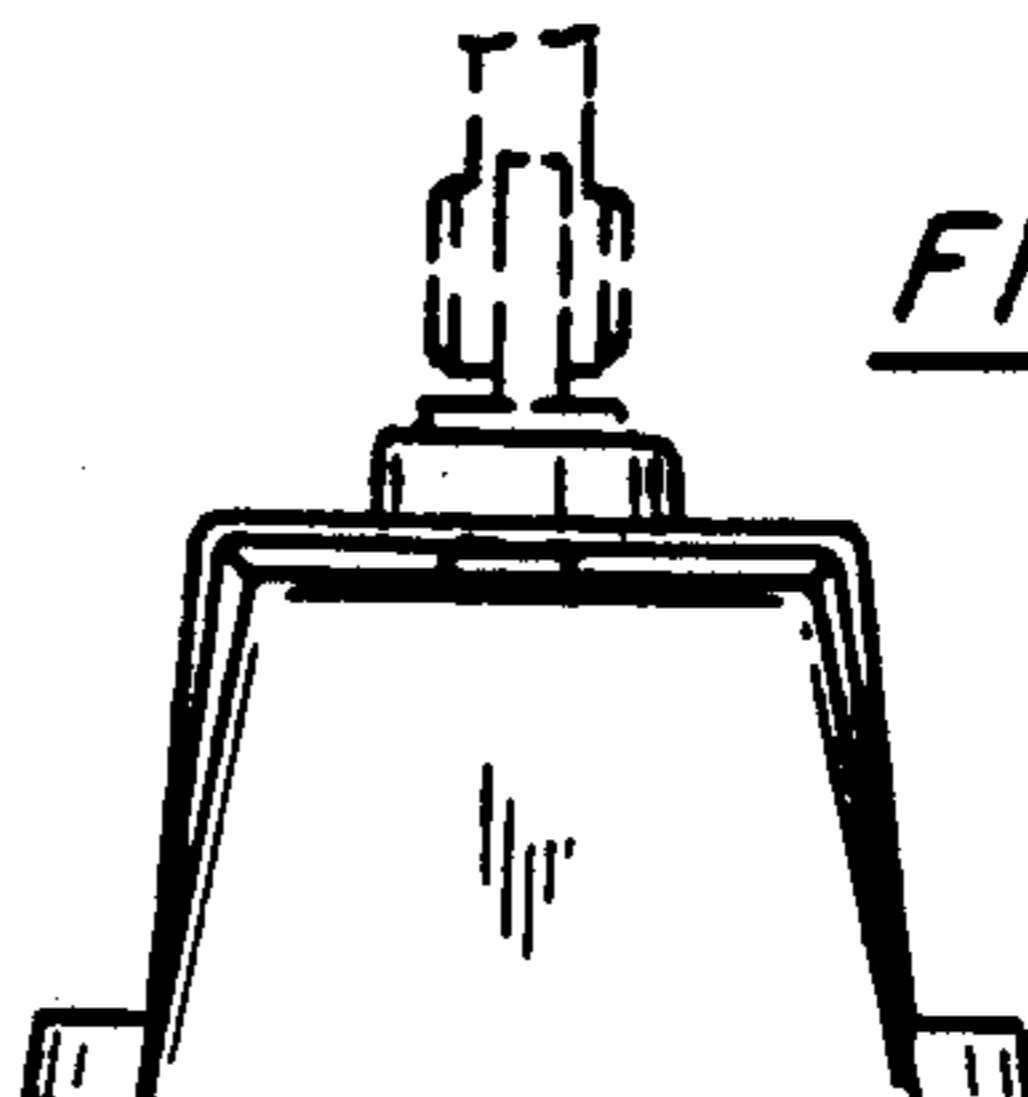


FIG. 7.

