



US00D326332S

# United States Patent [19]

[11] Patent Number: **Des. 326,332**

Rizzi et al.

[45] Date of Patent: **\*\* May 19, 1992**

[54] **ADJUSTABLE LAMP**

999,283 8/1911 White ..... 362/410 X

[75] Inventors: **John J. Rizzi, Weston; Anthony B. Rorke, Fairfield, both of Conn.**

[73] Assignee: **Westinghouse Electric Corp., Pittsburgh, Pa.**

[\*] Notice: The portion of the term of this patent subsequent to Mar. 10, 2006 has been disclaimed.

[\*\*] Term: **14 Years**

[21] Appl. No.: **473,842**

[22] Filed: **Feb. 2, 1990**

[52] U.S. Cl. .... **D26/25**

[58] Field of Search ..... **D26/60-66, D26/72, 87, 92; 362/410-414, 418, 419, 428, 432, 269, 275**

### [56] References Cited

#### U.S. PATENT DOCUMENTS

- D, 292,236 10/1987 Caldwell ..... D26/65
- D, 304,242 10/1989 Sträter ..... D26/65

### OTHER PUBLICATIONS

CLS © "Portable Taskmaster"™ Lighting Catalog, 1988, Adjustable Lamp #TM-705-BT.  
 Form, 1-1985, p. 31, Adjustable Clamp on Lamp.  
 Nessen Lamps Catalog #13, ©1981, p. 15, Wall Mounted Adjustable Lamp #NW1059CP.  
 House & Garden, 5-1952, p. 34, Wall Lamp.

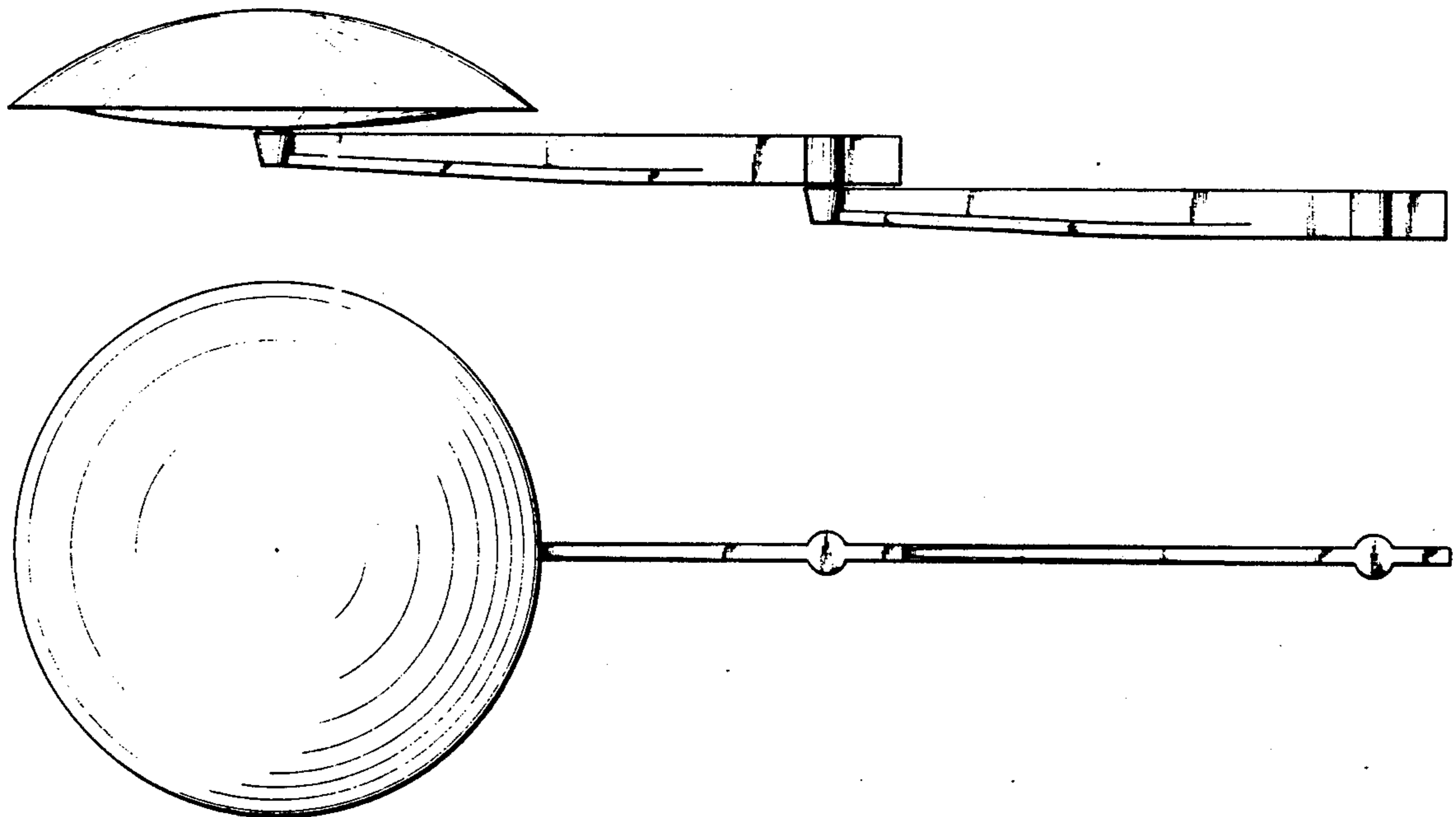
*Primary Examiner*—Susan J. Lucas  
*Attorney, Agent, or Firm*—B. R. Studebaker

### [57] CLAIM

The ornamental design for an adjustable lamp, as shown and described.

### DESCRIPTION

FIG. 1 is left side elevational view of an adjustable lamp showing our new design;  
 FIG. 2 is a top plan view thereof;  
 FIG. 3 is a bottom plan view thereof;  
 FIG. 4 is a front elevational view thereof; and,  
 FIG. 5 is a rear elevational view thereof.



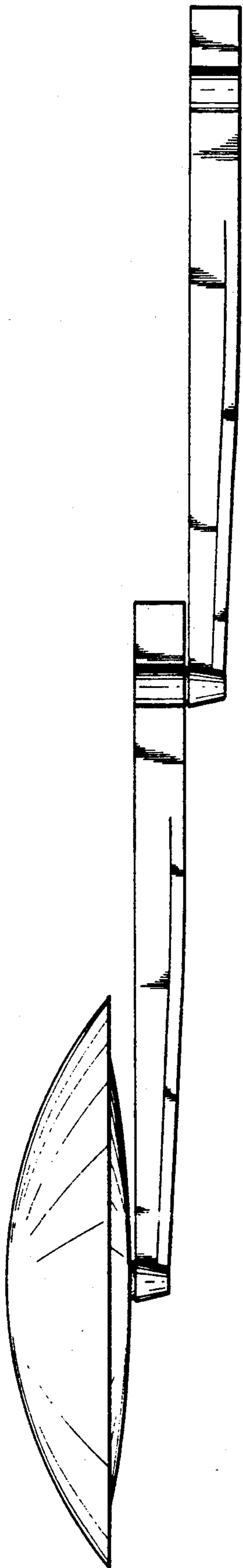


FIG. 1

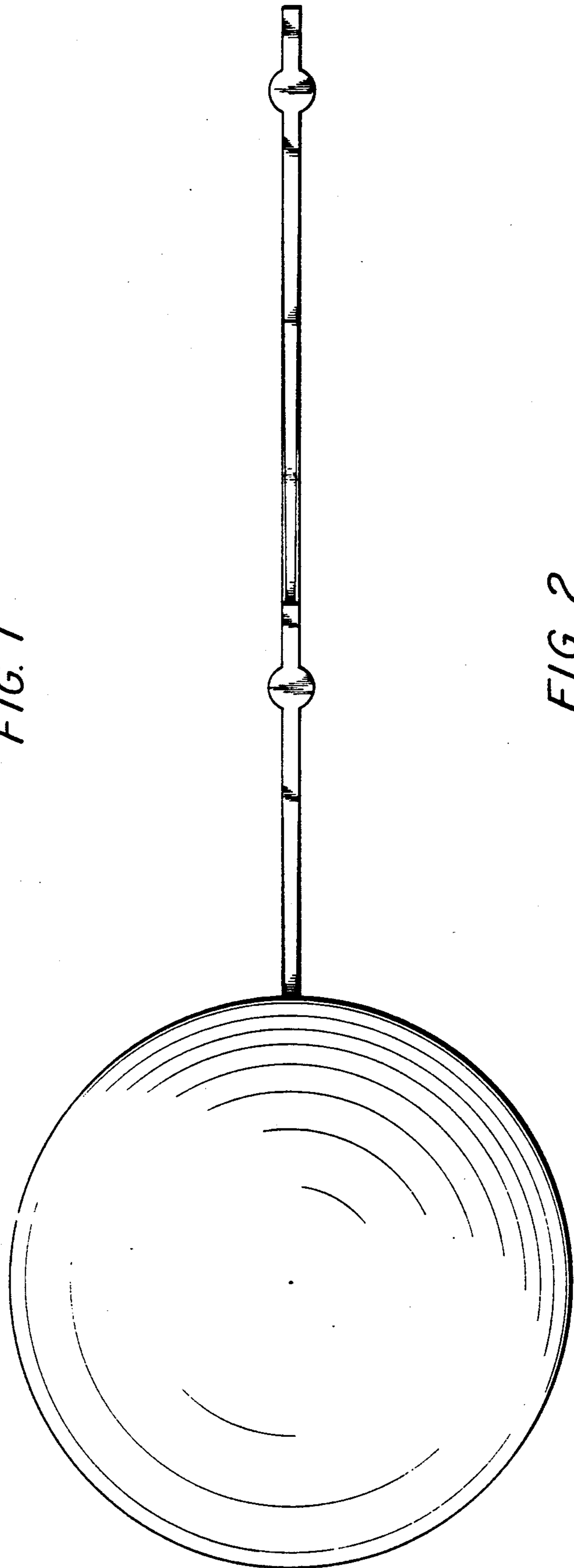


FIG. 2

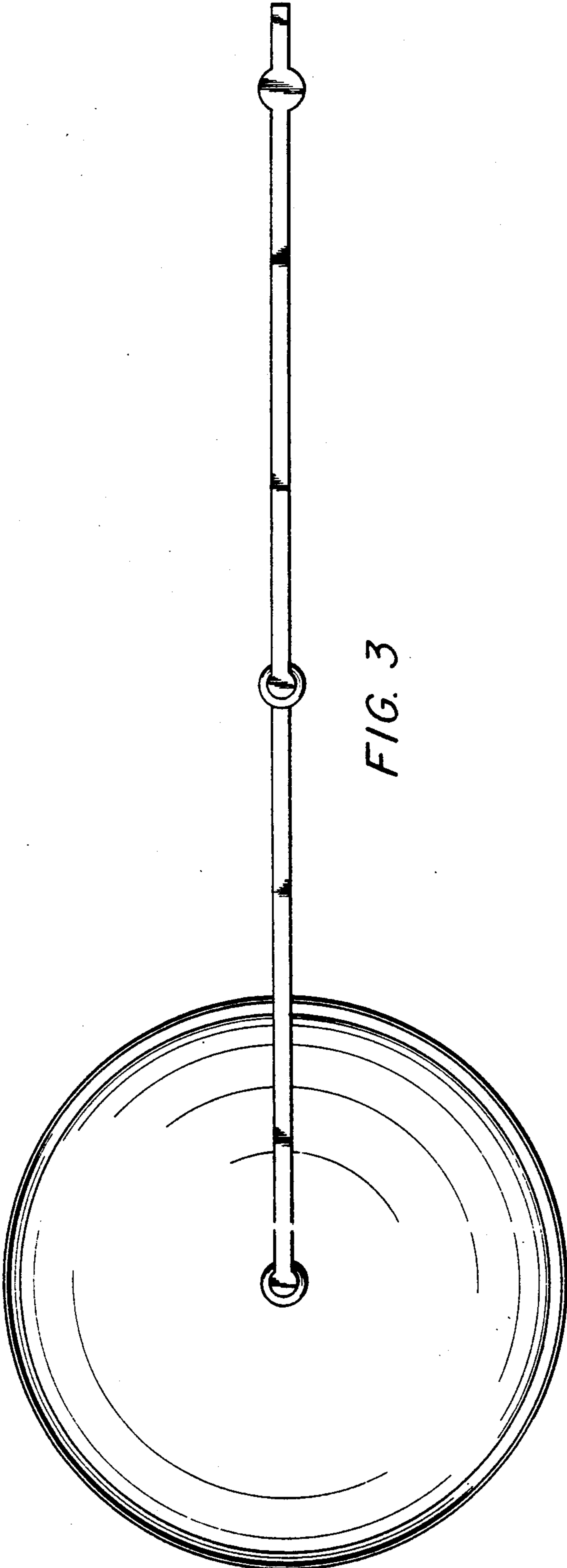


FIG. 3

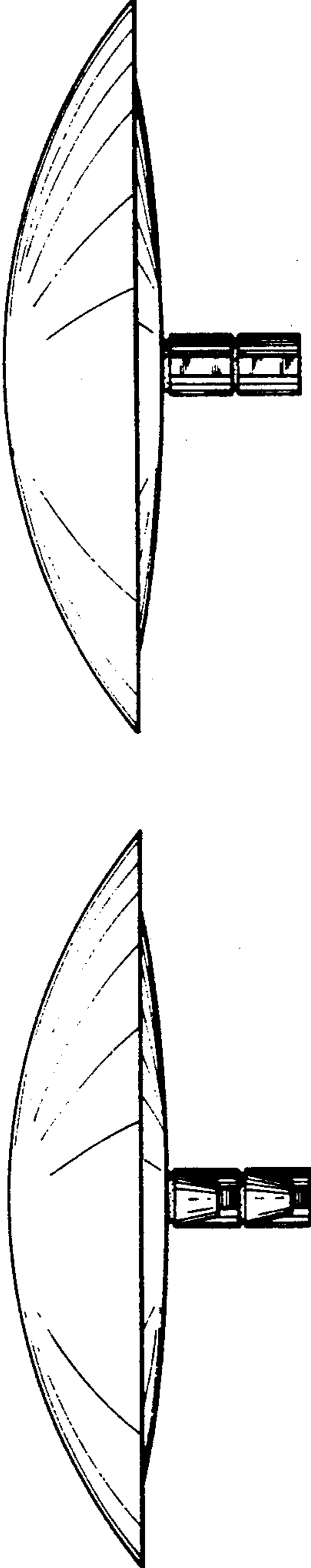


FIG. 4

FIG. 5