



US00D326331S

# United States Patent [19]

[11] Patent Number: **Des. 326,331**

**Riccadelli**

[45] Date of Patent: **\*\* May 19, 1992**

[54] LIGHT FIXTURE

[76] Inventor: **Robert Riccadelli**, Industrial Park,  
Rte. 9W, Stony Point, N.Y. 10980

[\*\*] Term: **14 Years**

[21] Appl. No.: **468,787**

[22] Filed: **Jan. 22, 1990**

[52] U.S. Cl. .... **D26/63**

[58] Field of Search ..... **D26/61, 63, 65;**  
**362/147, 404, 267, 275, 285, 418, 419, 427, 362**

[56] **References Cited**

### U.S. PATENT DOCUMENTS

4,882,667 11/1989 Skegin ..... 362/373

### OTHER PUBLICATIONS

Capri Lite Low Voltage Lighting Catalog, 1981, p. 7,  
Framing Projector CTLVT926.

Capri Lighting Catalog ©, 1984, p. 26 "Soft Squares"  
Track Light #KV516.

Marco Lighting Track Lighting Catalog, 1985, p. 20,  
Track Light Fixture T1403.

*Primary Examiner*—Susan J. Lucas  
*Attorney, Agent, or Firm*—Stanley J. Yavner

### [57] CLAIM

The ornamental design for a light fixture, as shown and described.

### DESCRIPTION

FIG. 1 is a front, top and left side isometric view of the light fixture embodying my new design;  
FIG. 2 is a top plan view thereof;  
FIG. 3 is a front elevational view thereof;  
FIG. 4 is a rear elevational view thereof;  
FIG. 5 is a left side elevational view thereof;  
FIG. 6 is a right side elevational view thereof; and,  
FIG. 7 is a bottom plan view thereof.

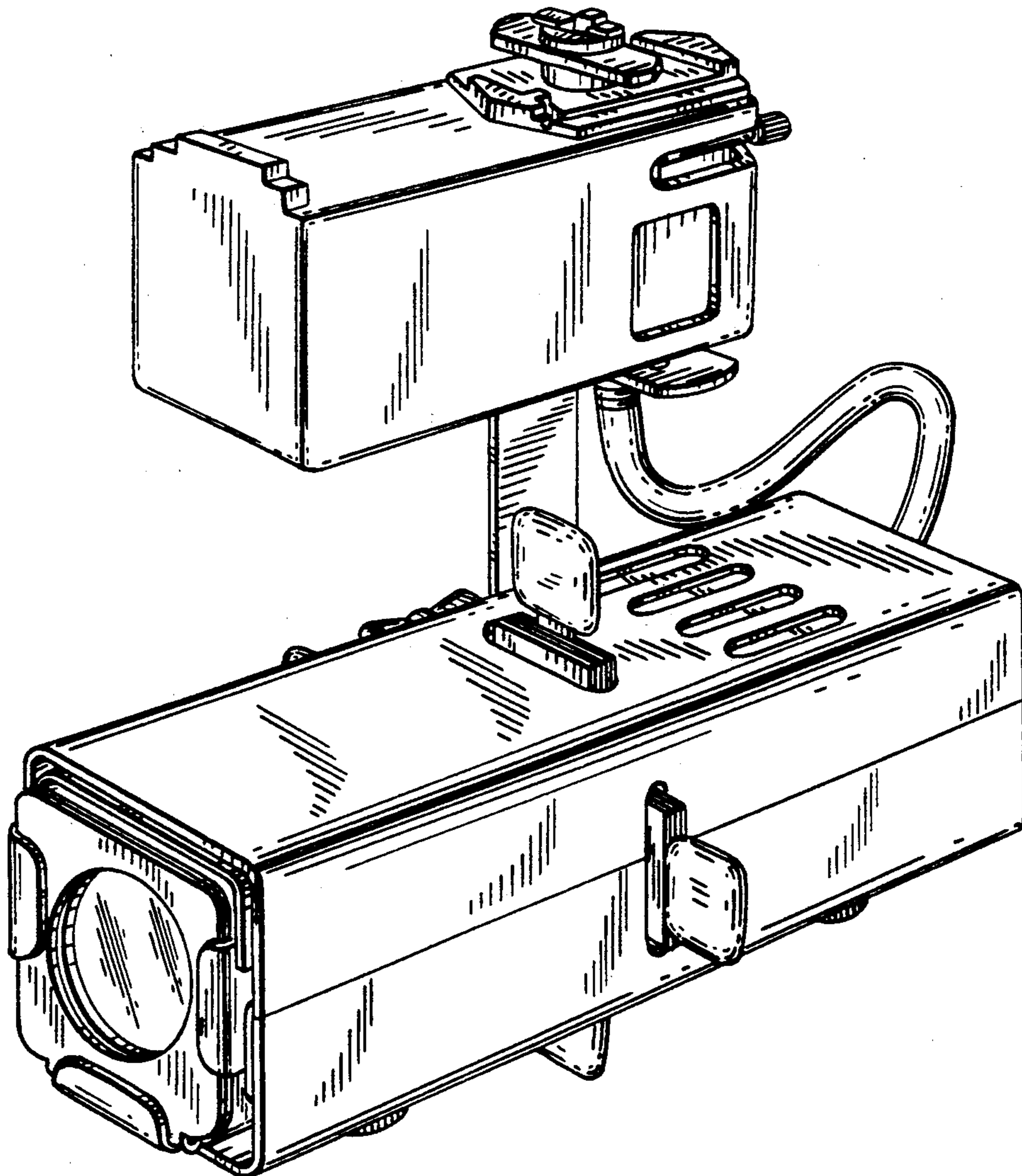


FIG. 1

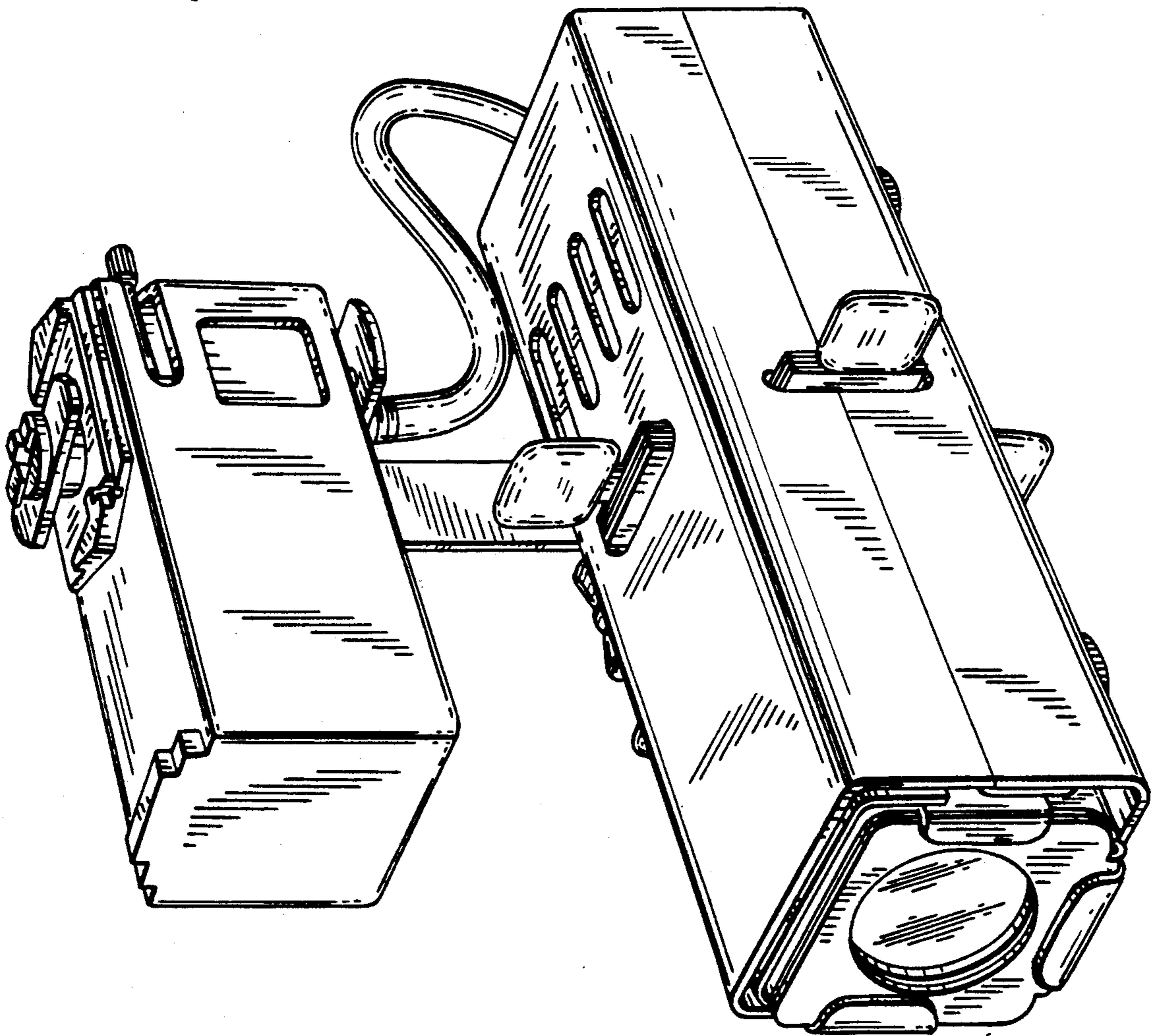


FIG. 2

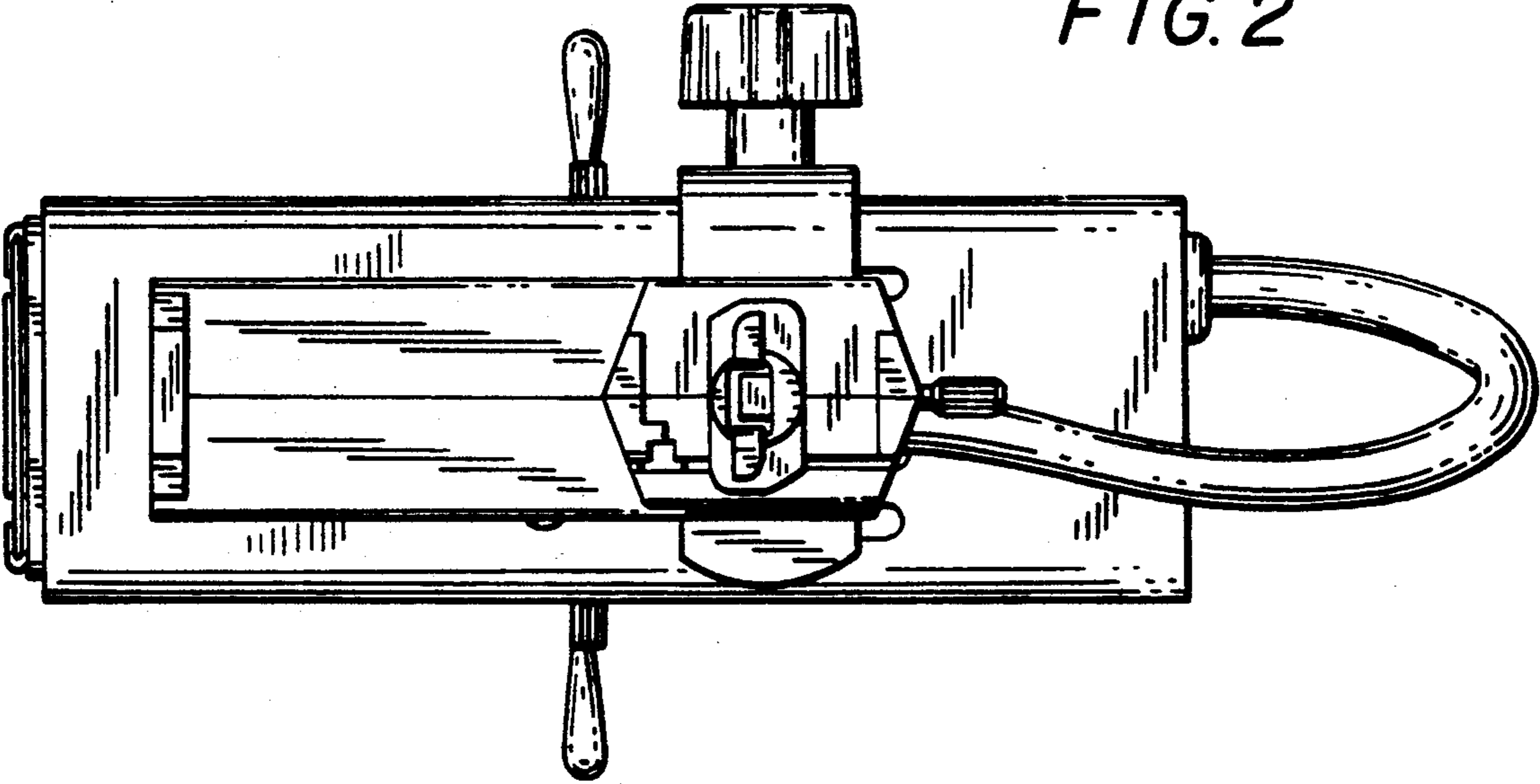
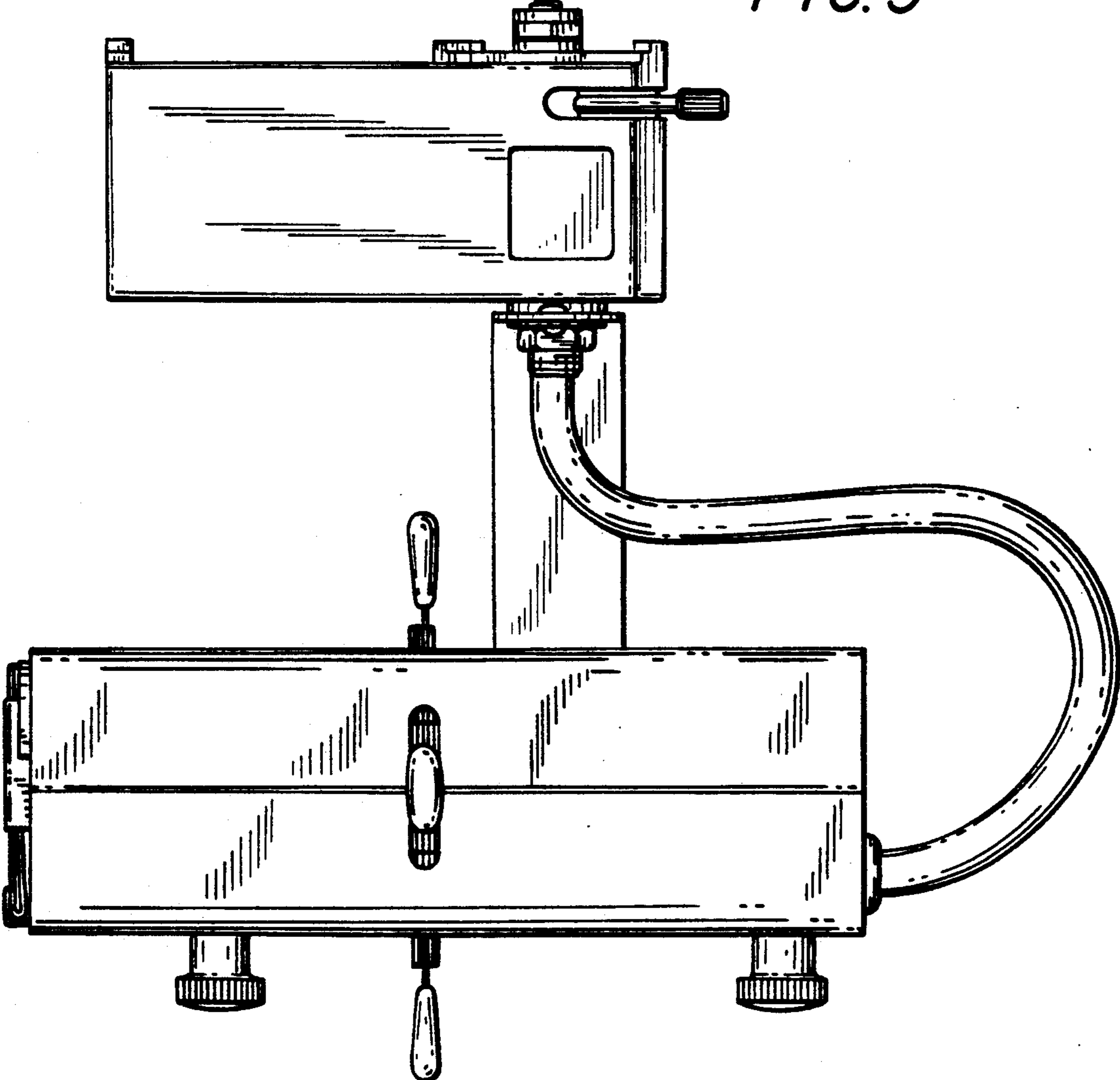


FIG. 3



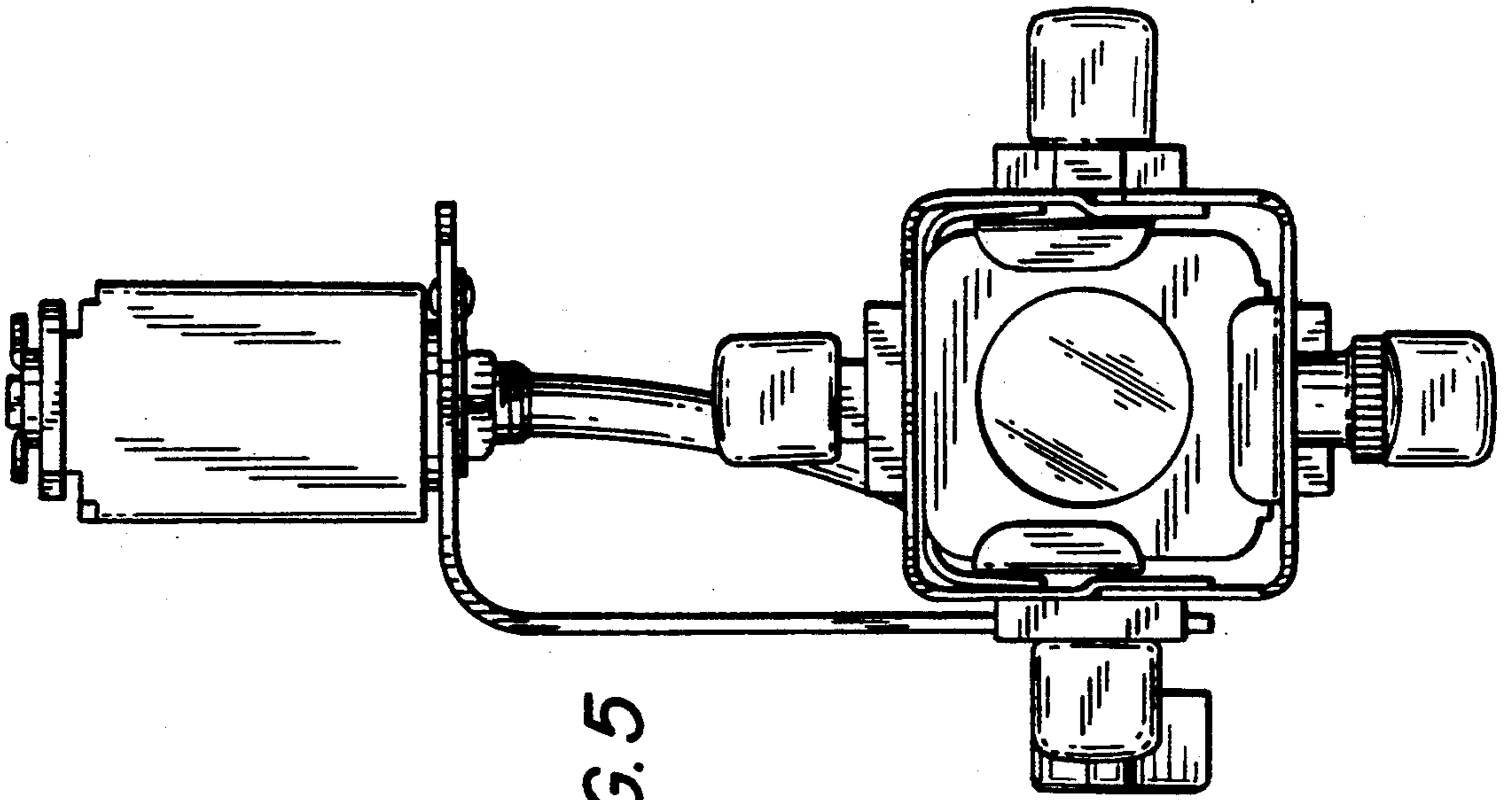


FIG. 5

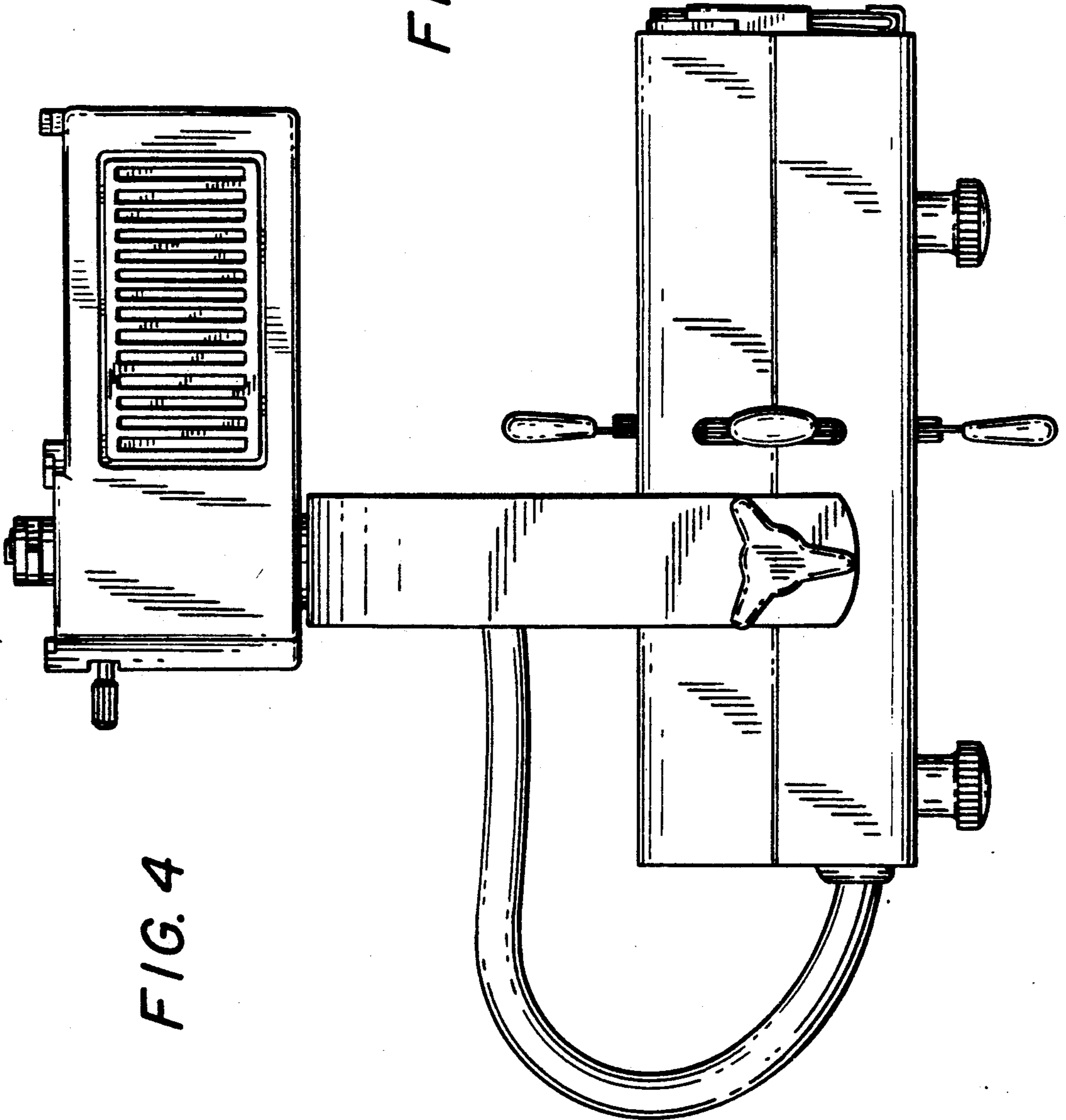


FIG. 4

FIG. 6

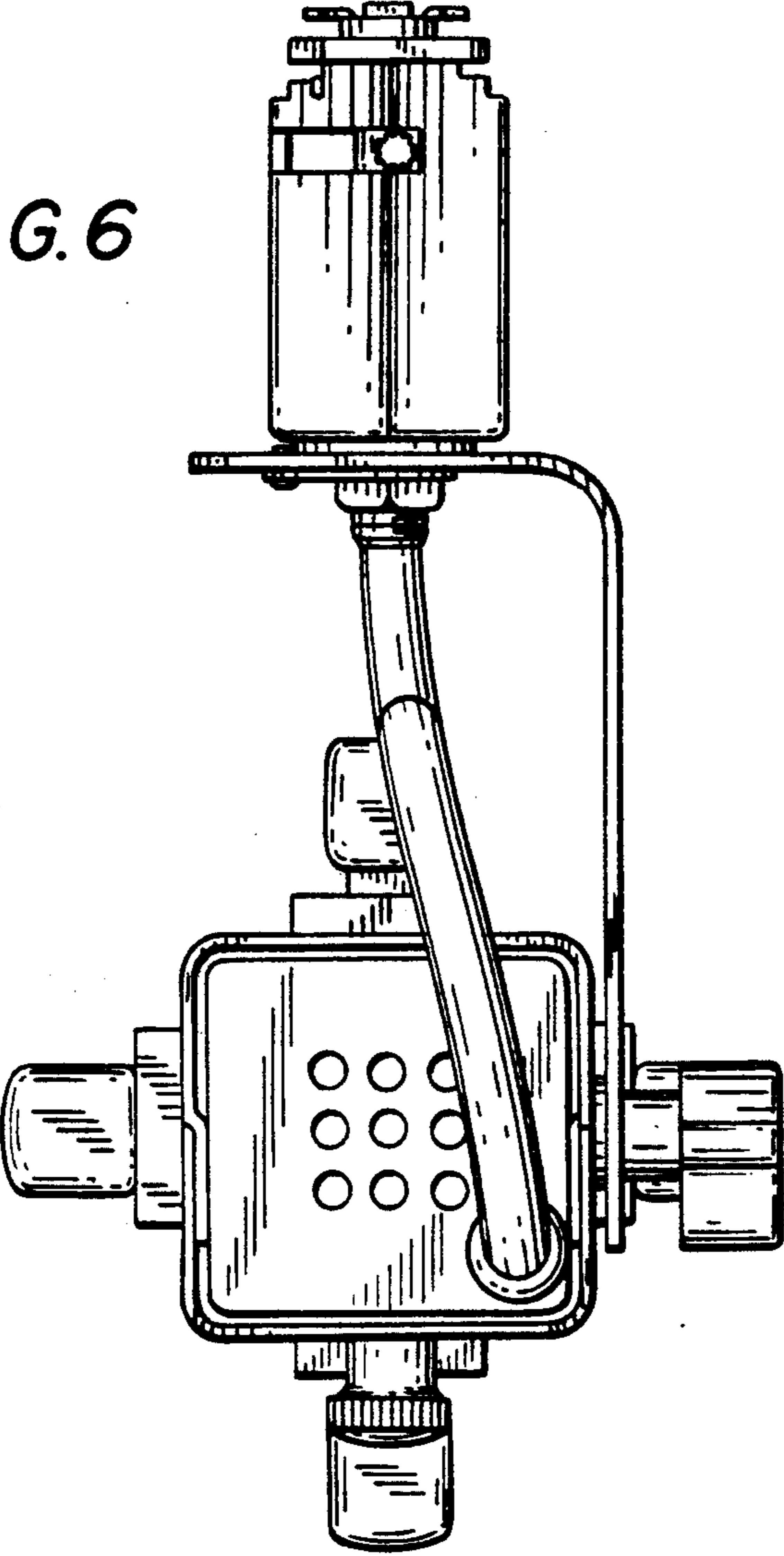


FIG. 7

