



US00D326329S

United States Patent [19]

[11] Patent Number: Des. 326,329

Ballstadt

[45] Date of Patent: ** May 19, 1992

[54] CHANNEL CAP EXTRUSION FOR GLASS BLOCK AND THE LIKE

Attorney, Agent, or Firm—Bielen, Peterson & Lampe

[76] Inventor: George Ballstadt, 4850 Richmond Ave., Fremont, Calif. 94536

[57] CLAIM

The ornamental design for a channel cap extrusion for glass block and the like, as shown and described.

[**] Term: 14 Years

DESCRIPTION

[21] Appl. No.: 502,497

FIG. 1 is a fragmentary perspective view of a channel cap extrusion for glass block and the like showing my new design;

[22] Filed: Mar. 30, 1990

FIG. 2 is an end elevational view thereof;

[52] U.S. Cl. D25/122

FIG. 3 is a fragmentary bottom plan view thereof;

[58] Field of Search D25/103, 119-125; 52/306-308

FIG. 4 is a fragmentary side elevational view thereof;

[56] References Cited

U.S. PATENT DOCUMENTS

- D. 280,441 9/1985 Evenson D25/122
- 4,587,776 5/1986 Leurent 52/86
- 5,014,471 5/1991 Ballstadt 52/308

FIG. 5 is a fragmentary perspective view of a second embodiment of a channel cap extrusion for glass block and the like showing my new design;

FIG. 6 is an end elevational view thereof;

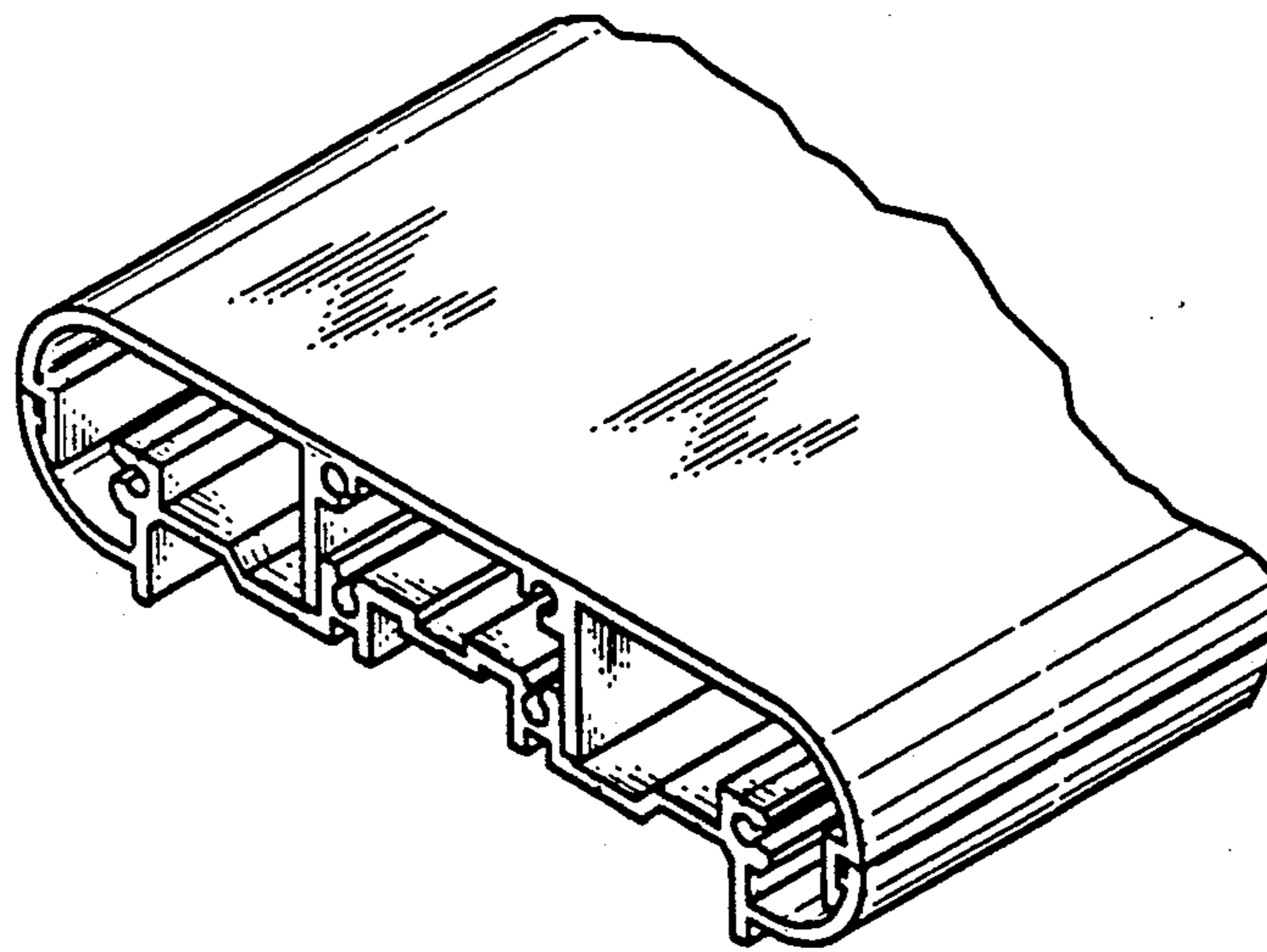
FIG. 7 is a fragmentary bottom plan view thereof; and,

FIG. 8 is a fragmentary side elevational view thereof.

The broken line showing of portions of glass block is for illustrative purposes only and forms no part of the claimed design.

Primary Examiner—A. Hugo Word

Assistant Examiner—Doris Clark



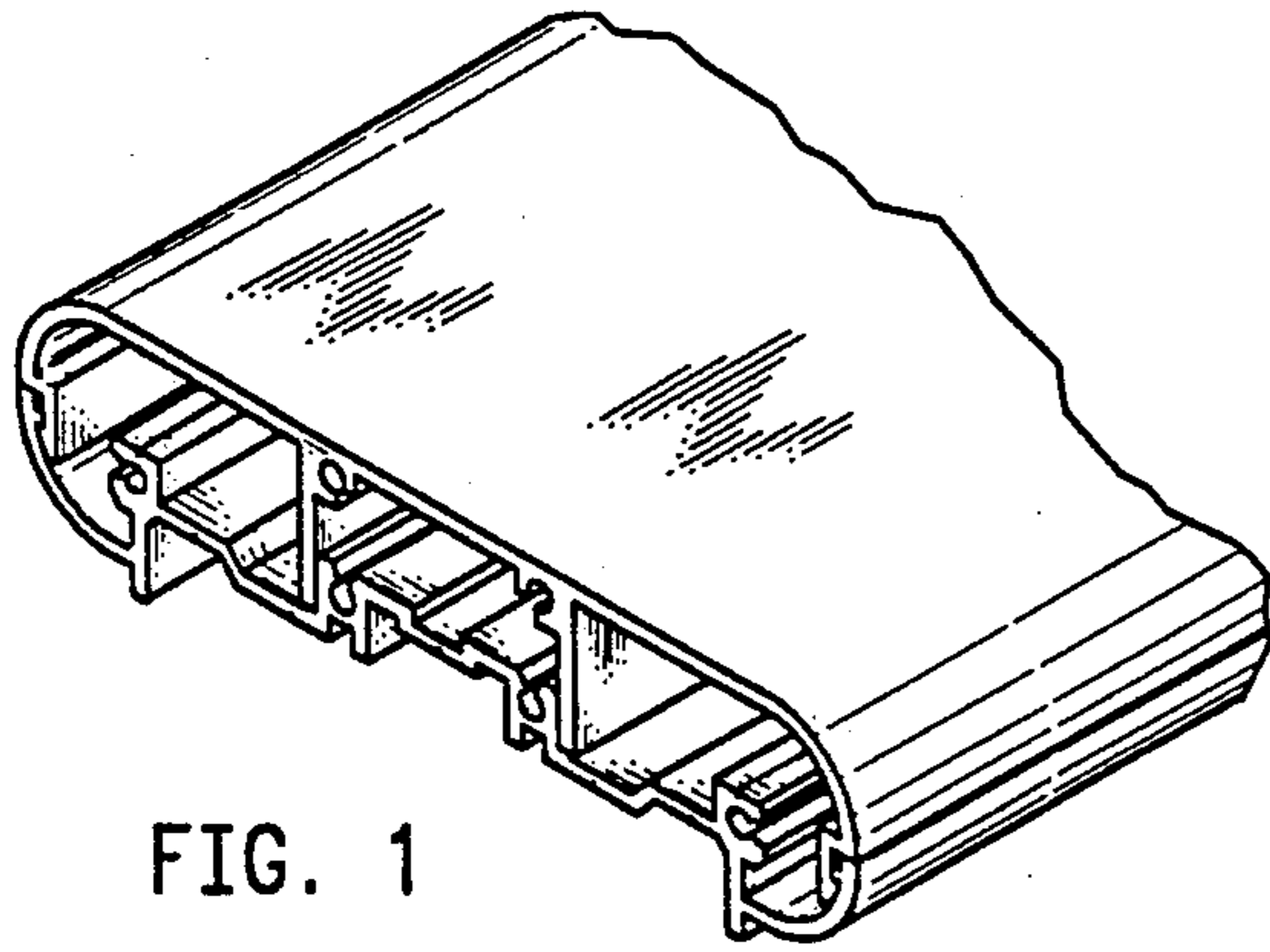


FIG. 1

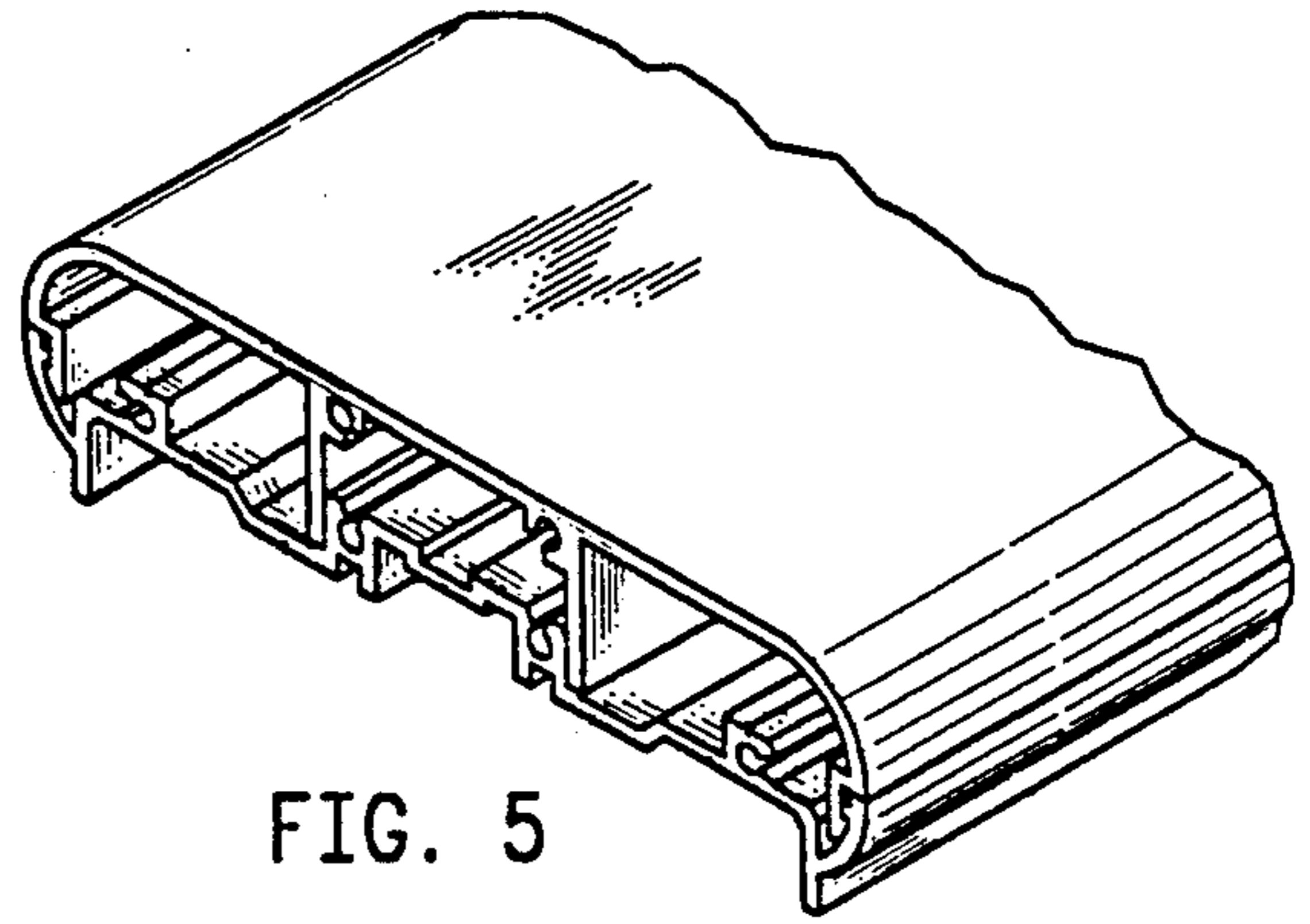


FIG. 5

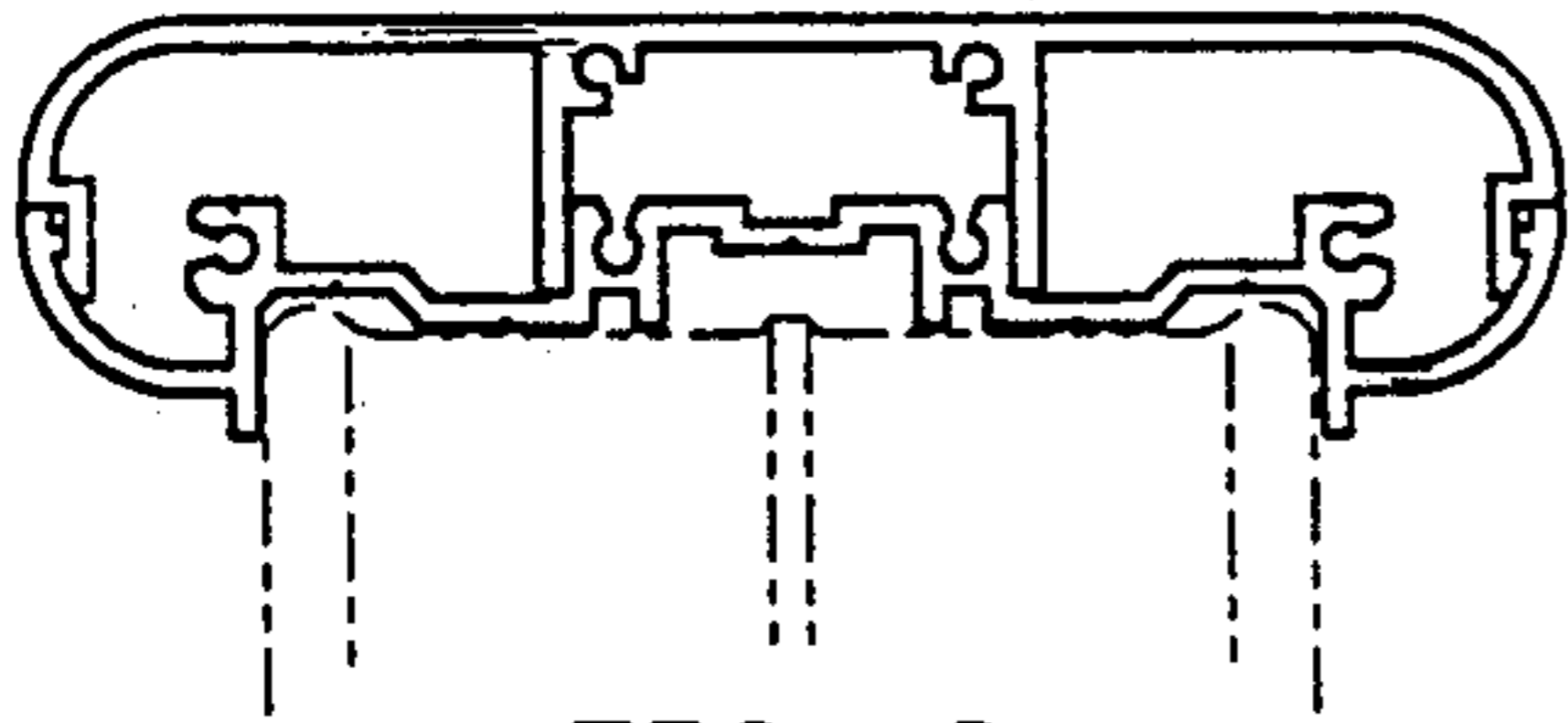


FIG. 2

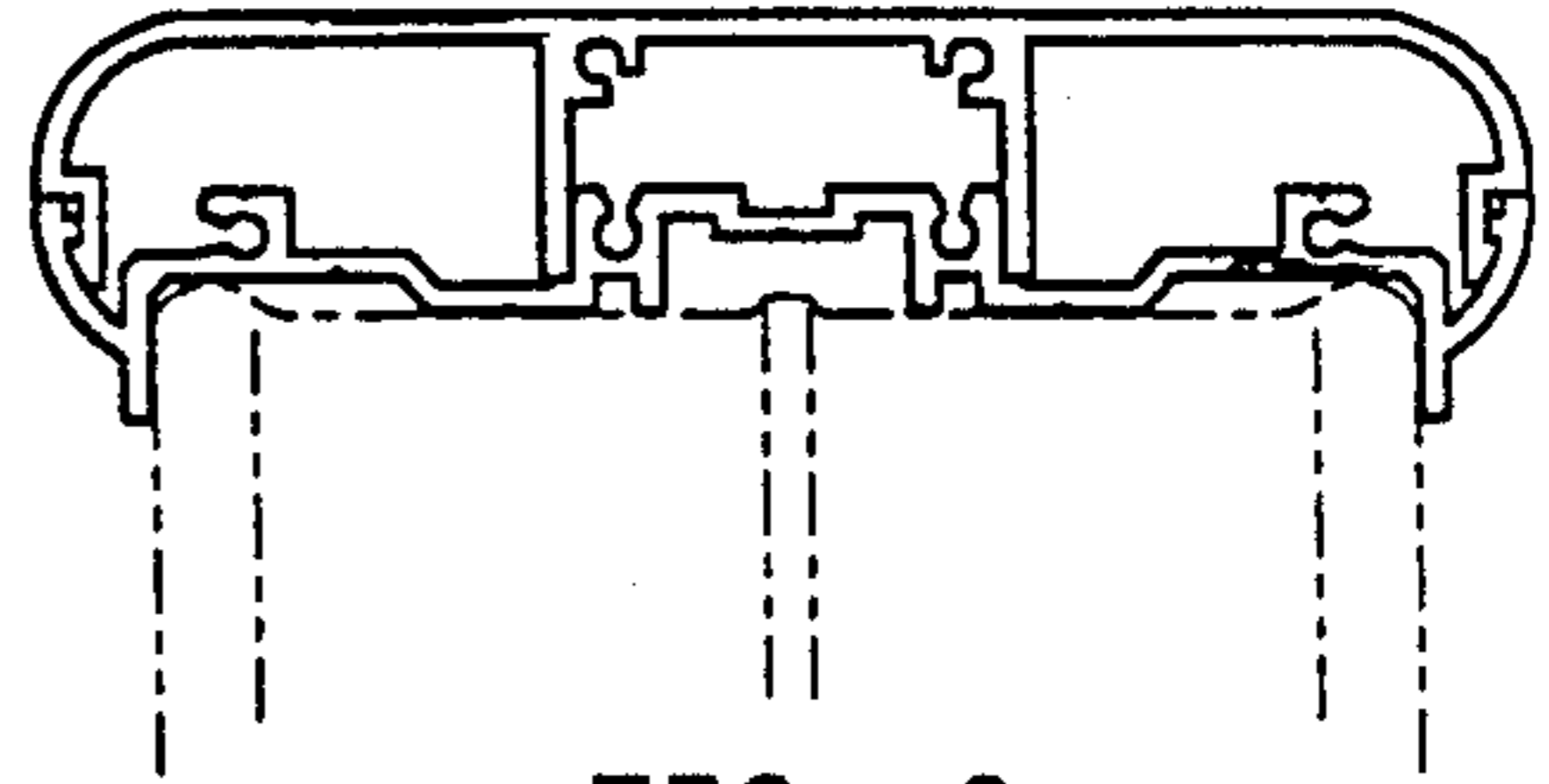


FIG. 6

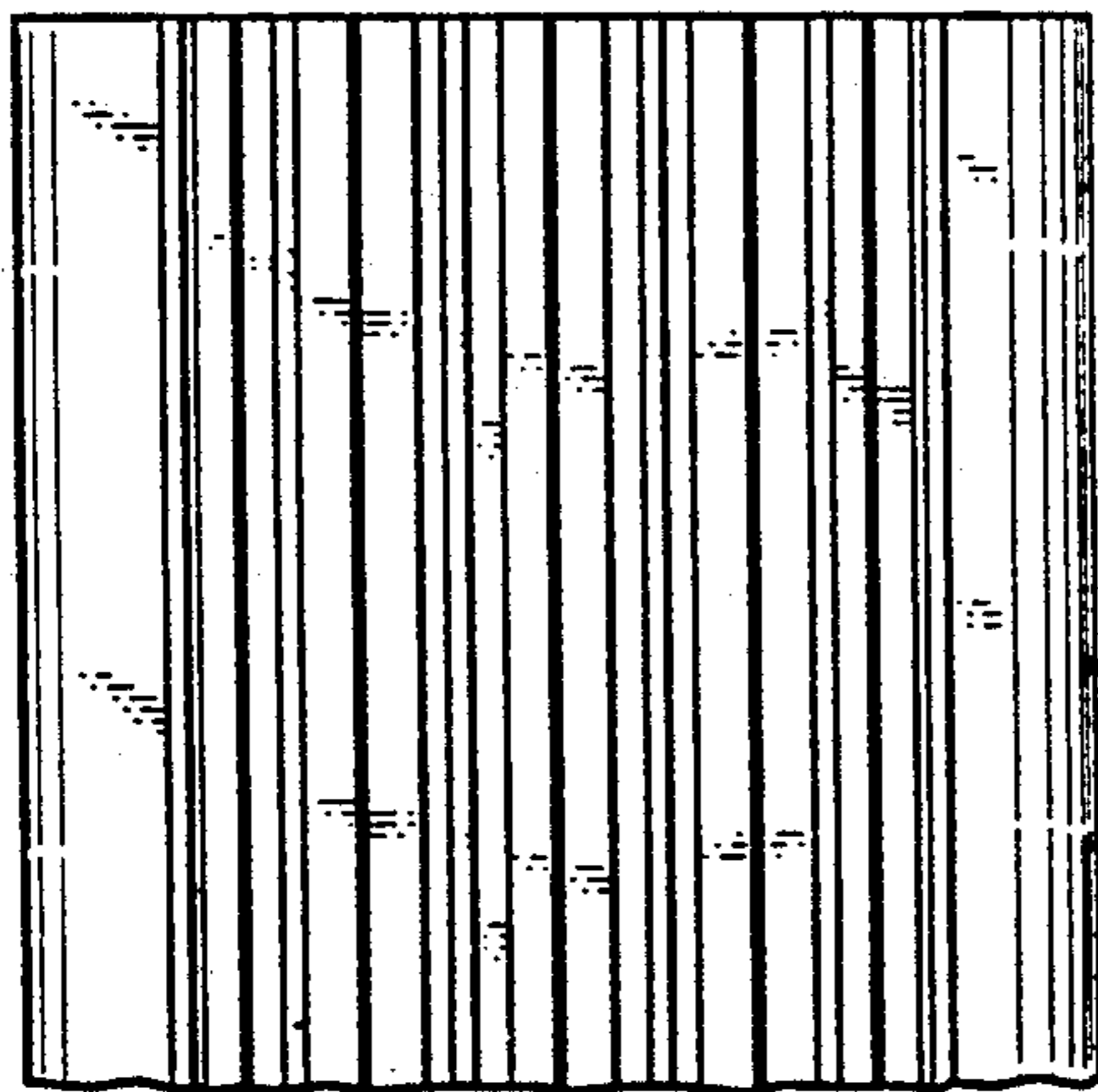


FIG. 3

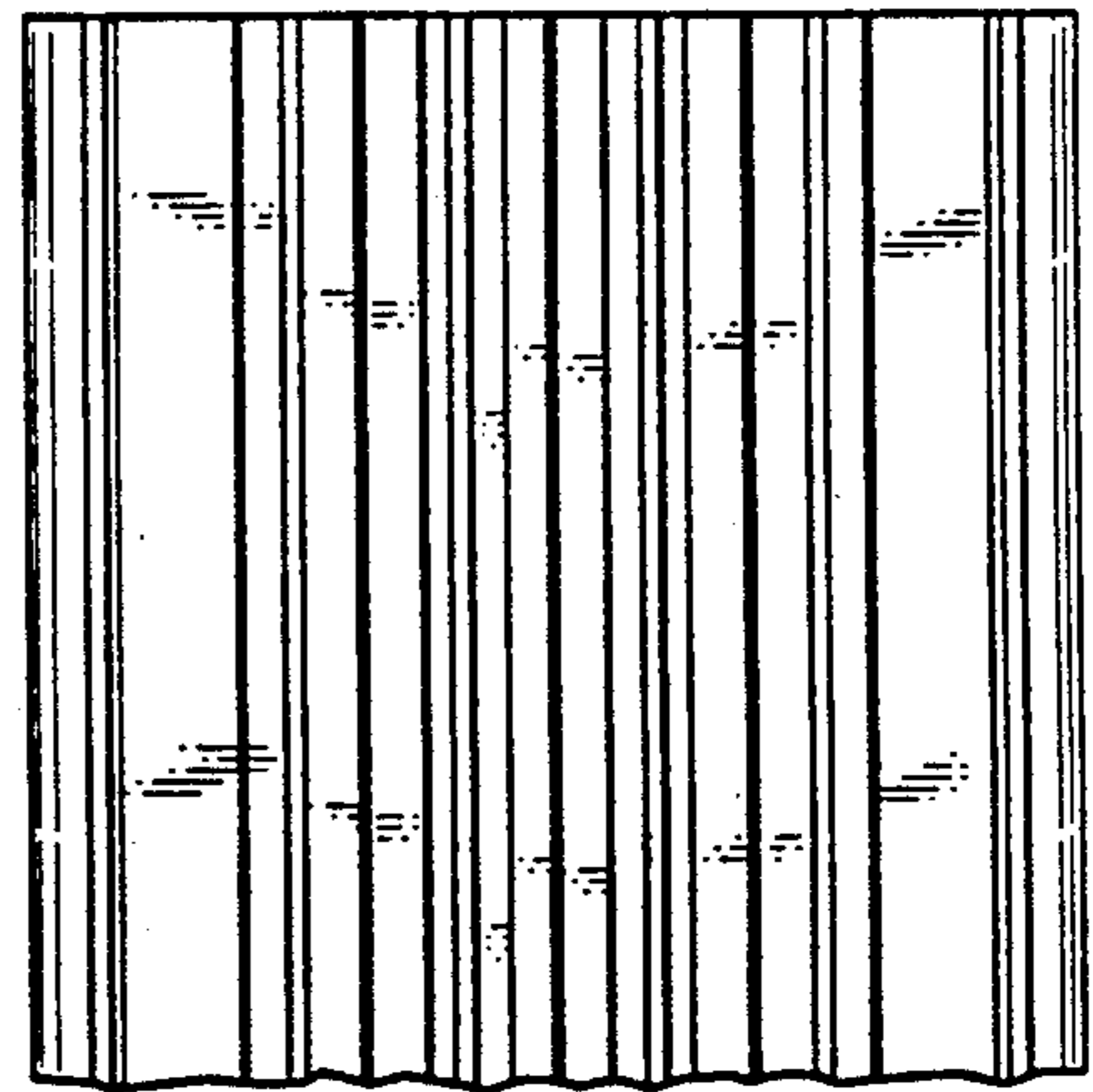


FIG. 7

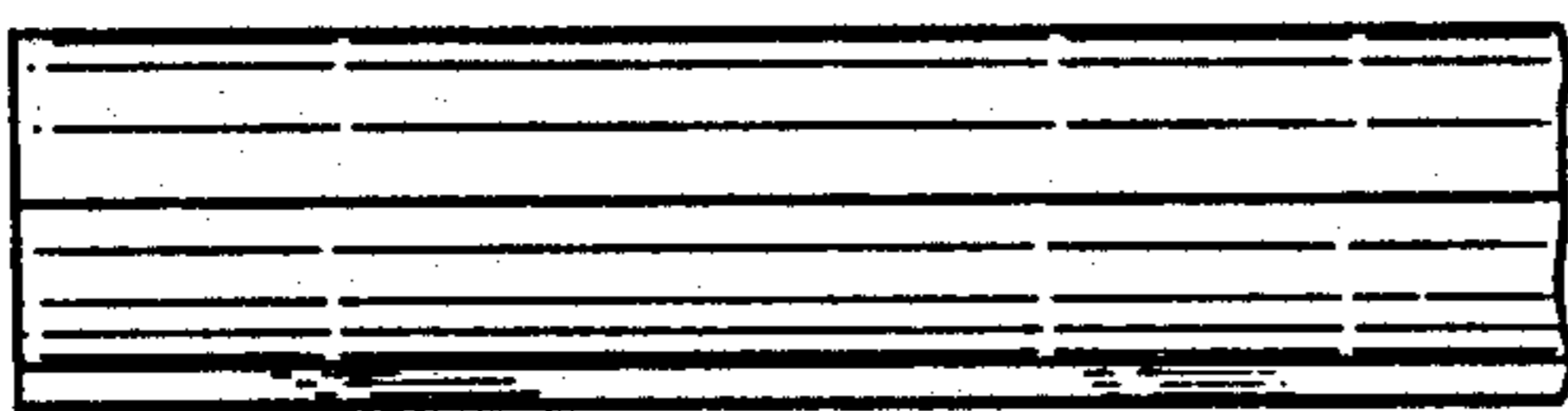


FIG. 4

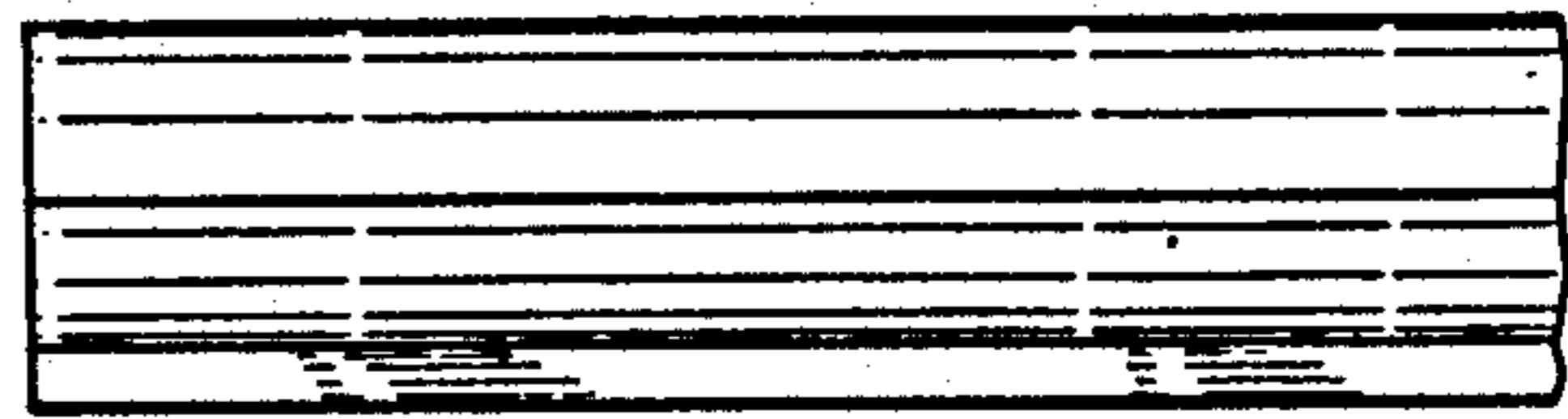


FIG. 8