



US00D326328S

United States Patent [19]

[11] Patent Number: **Des. 326,328**

Chen

[45] Date of Patent: **** May 19, 1992**

[54] **CONTACT LENS WASHER OR SIMILAR ARTICLE**

4,776,360 10/1988 Ching Shih 134/901 X
4,852,594 8/1959 Chen D24/218 X

[76] Inventor: **Ching-Shih Chen**, No. 18, Shuang-Hsi St., Sheh-Lin Dist., Taipei, Taiwan

Primary Examiner—Stella Reid
Attorney, Agent, or Firm—Ladas & Parry

[**] Term: **14 Years**

[57] **CLAIM**

[21] Appl. No.: **395,943**

The ornamental design for a contact lens washer or similar article, as shown and described.

[22] Filed: **Aug. 18, 1989**

DESCRIPTION

[52] U.S. Cl. **D24/218**

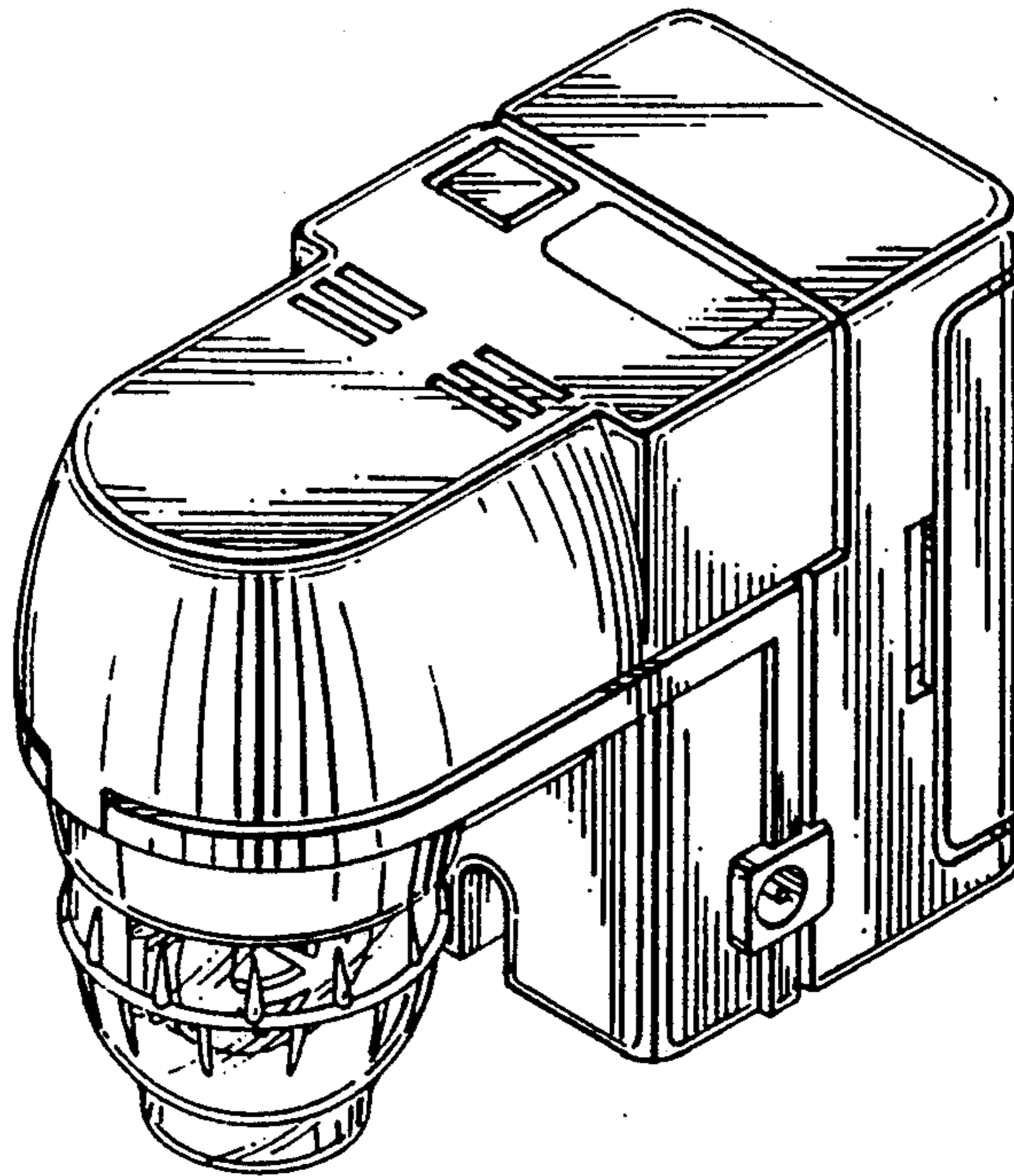
[58] Field of Search D24/218; 134/143, 149, 134/162, 901; 219/521, 539

FIG. 1 is a perspective view of a contact lens washer or similar article, showing my new design; FIG. 2 is a front elevational view thereof; FIG. 3 is a rear elevational view thereof; FIG. 4 is a left side elevational view thereof; FIG. 5 is a right side elevational view thereof; FIG. 6 is a top plan view thereof; and, FIG. 7 is a bottom plan view thereof.

[56] **References Cited**

U.S. PATENT DOCUMENTS

D. 320,278 9/1991 Ryder et al. D24/218
3,623,492 11/1971 Frantz 134/149 X



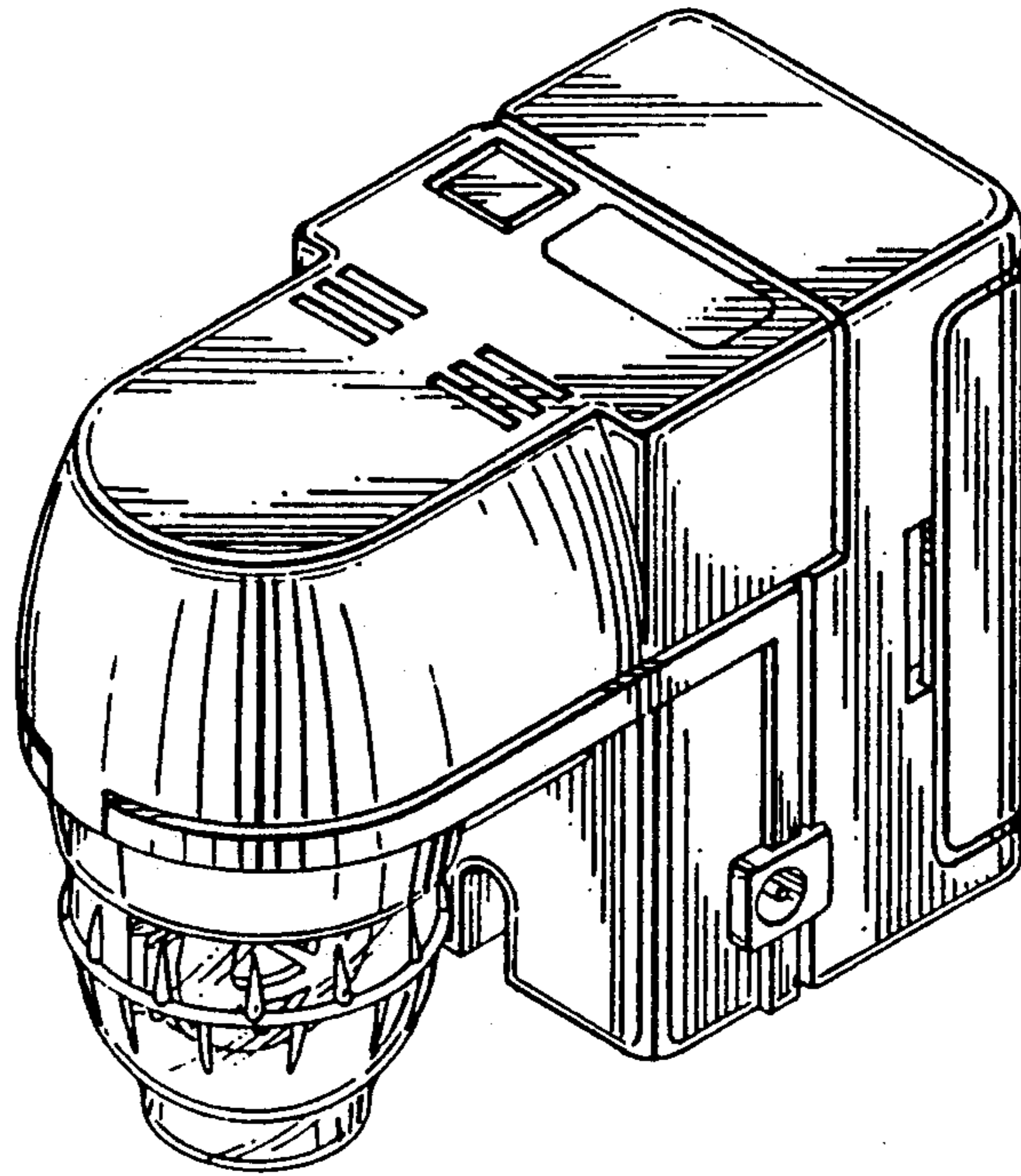


FIG. 1

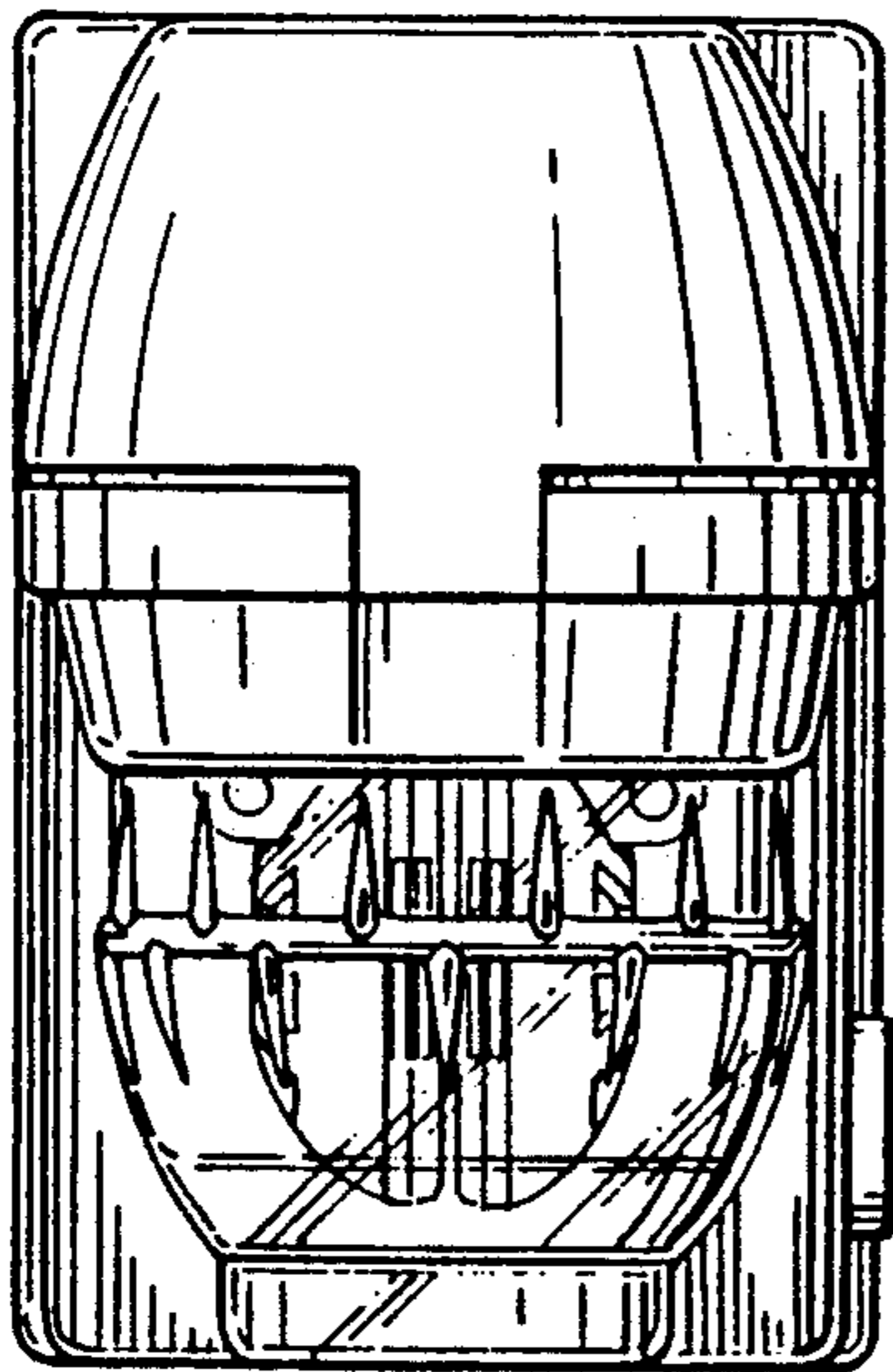


FIG. 2

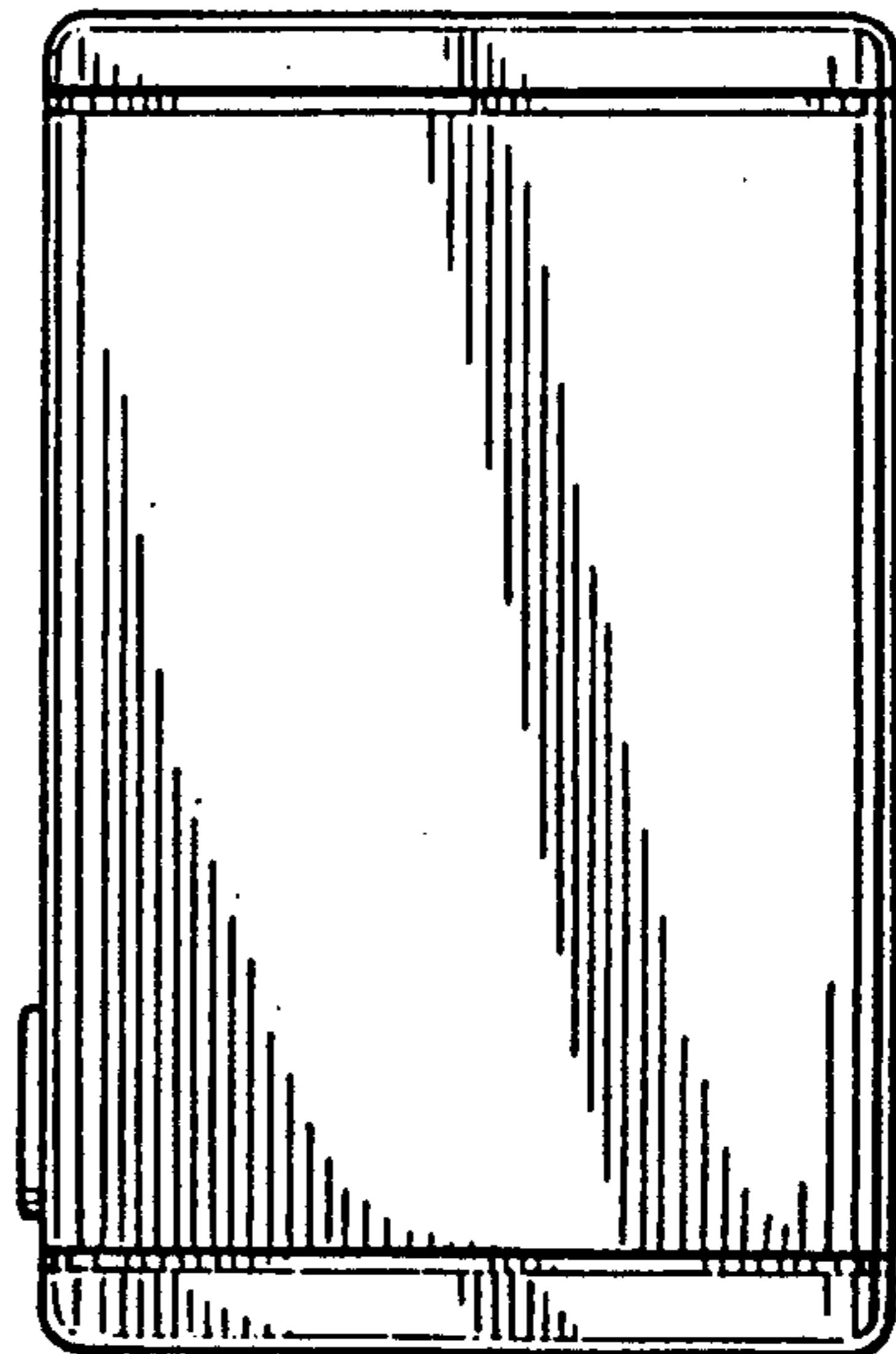


FIG. 3

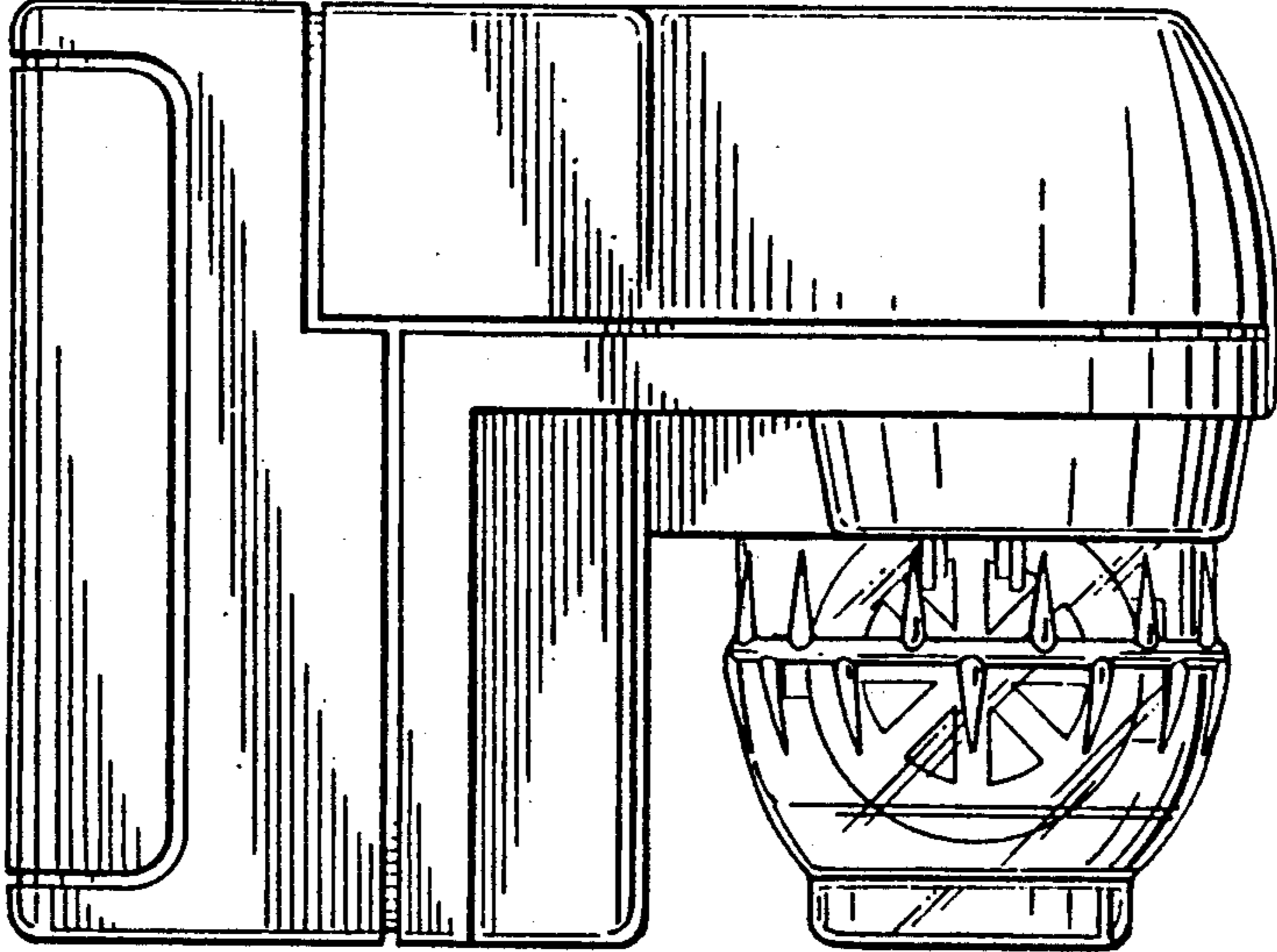


FIG. 4

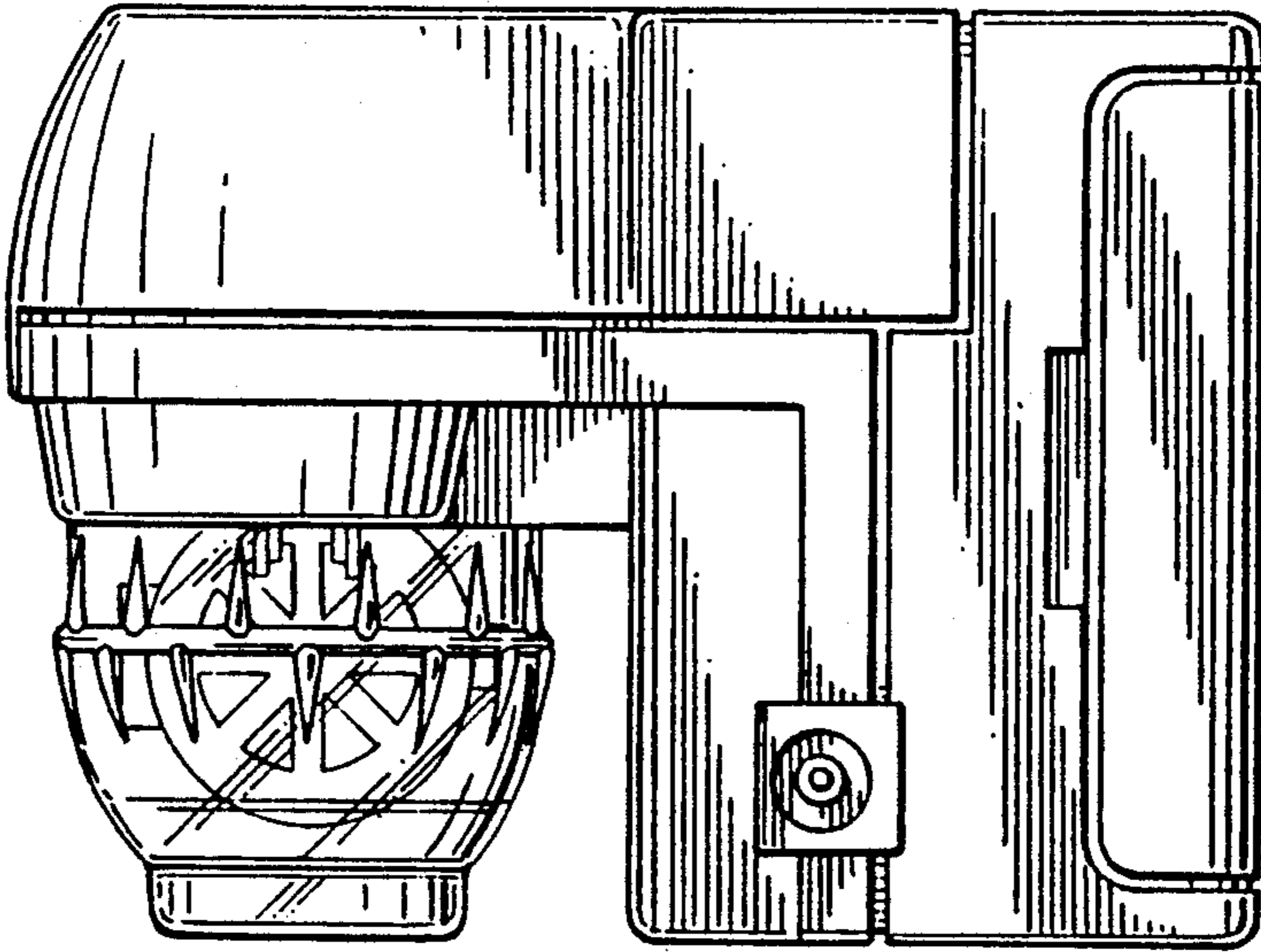


FIG. 5

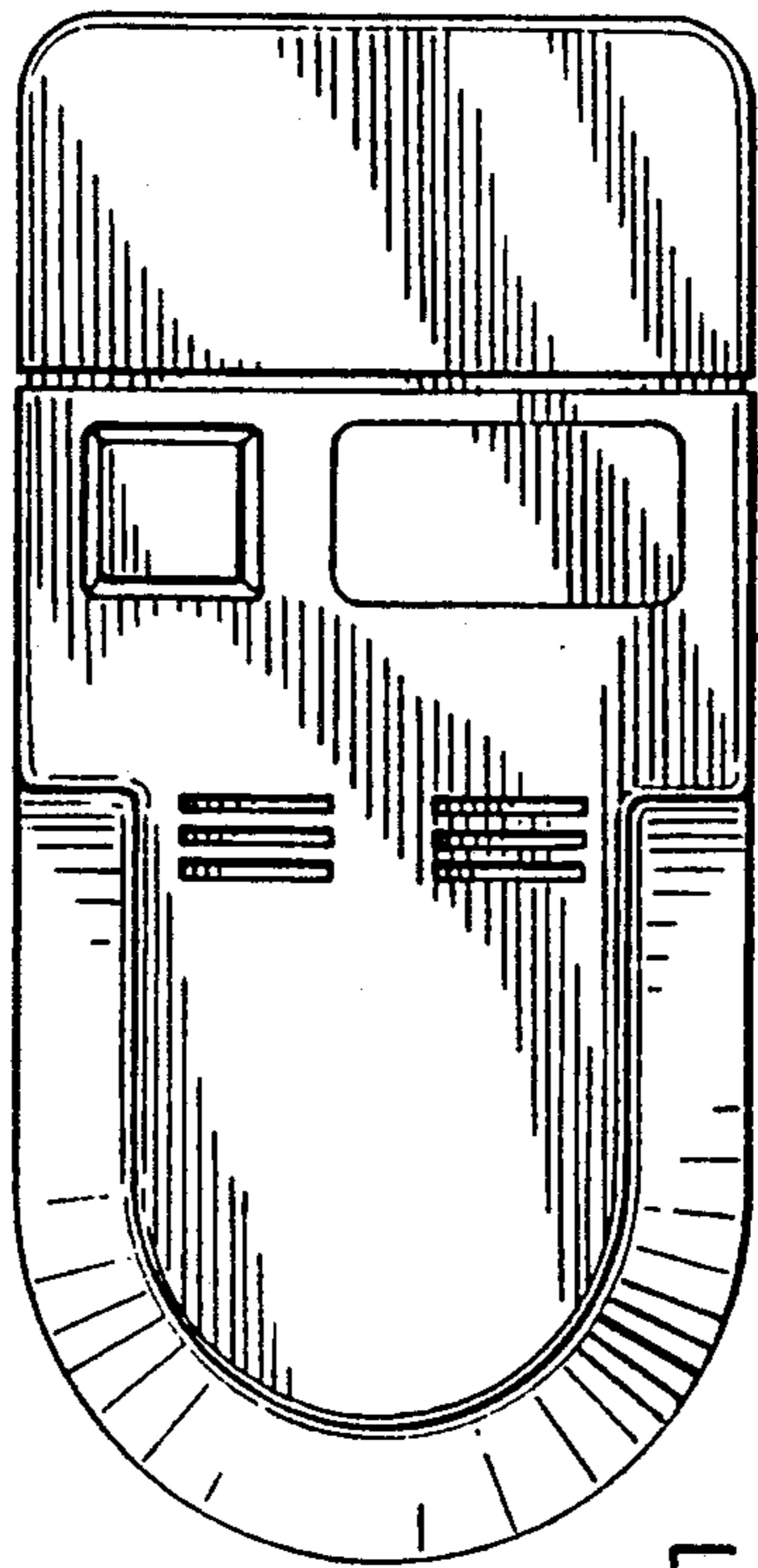


FIG. 6

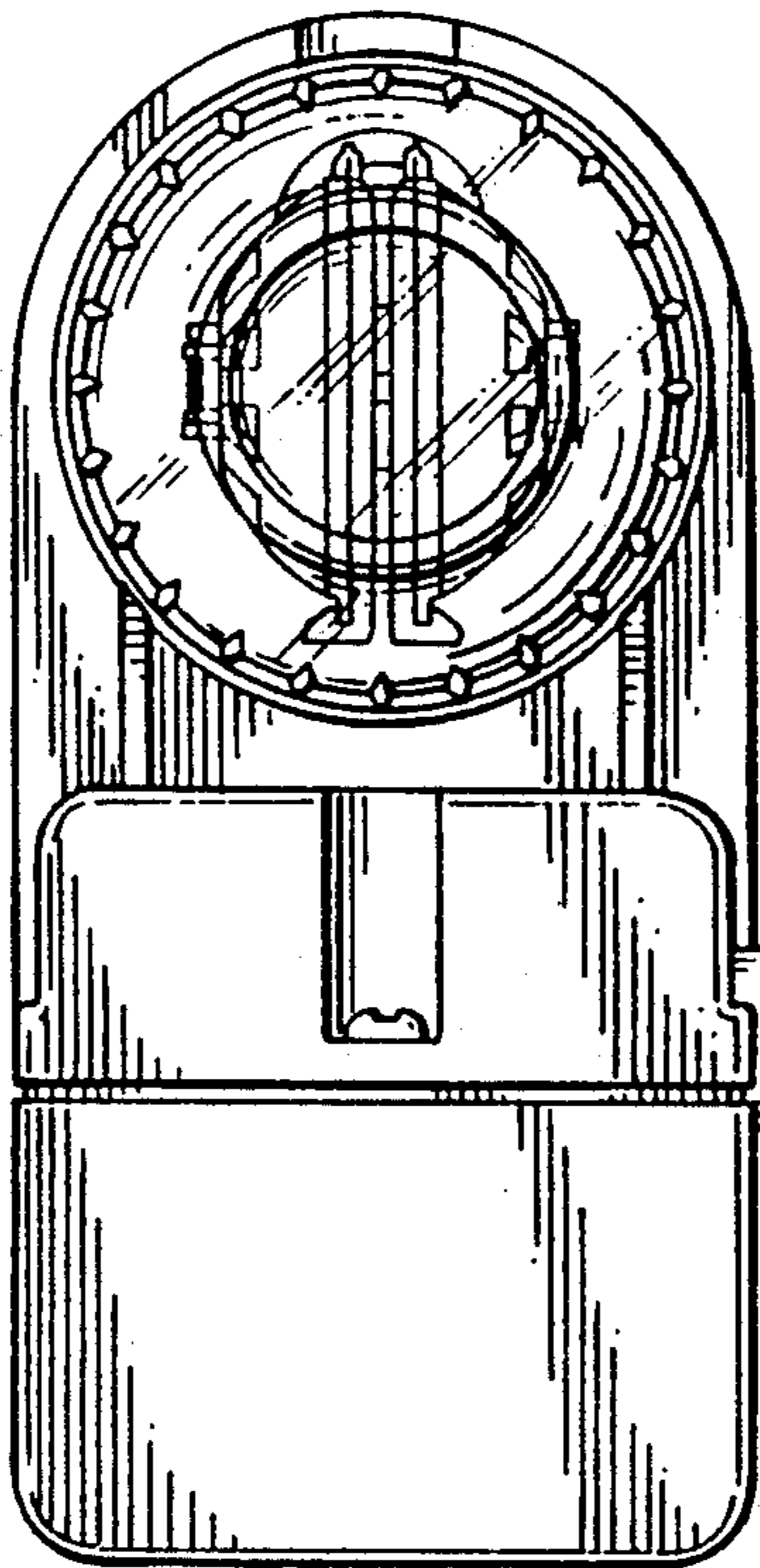


FIG. 7