



US00D326320S

United States Patent [19]
Rutter

[11] **Patent Number: Des. 326,320**

[45] **Date of Patent: ** May 19, 1992**

[54] **MEDICAL SYRINGE PUMP FOR INFUSION**

[56]

References Cited

U.S. PATENT DOCUMENTS

[75] **Inventor: Paul Rutter, Warwick, England**

- D. 263,997 4/1982 Preussner D24/111
- D. 265,243 6/1982 Manno et al. D24/111
- D. 293,468 12/1987 Hill et al. D24/111
- D. 305,060 12/1989 Bisha et al. D24/111
- D. 306,758 3/1990 Stanley D24/111
- 4,652,262 3/1987 Veracchi 604/250

[73] **Assignee: Graseby Medical Limited, Cambridge, England**

[*] **Notice:** The portion of the term of this patent subsequent to May 12, 2006 has been disclaimed.

*Primary Examiner—Stella Reid
Attorney, Agent, or Firm—Lee, Mann, Smith,
McWilliams, Sweeney & Ohlson*

[**] **Term: 14 Years**

[57] **CLAIM**

The ornamental design for a medical syringe pump for infusion, as shown and described.

[21] **Appl. No.: 347,790**

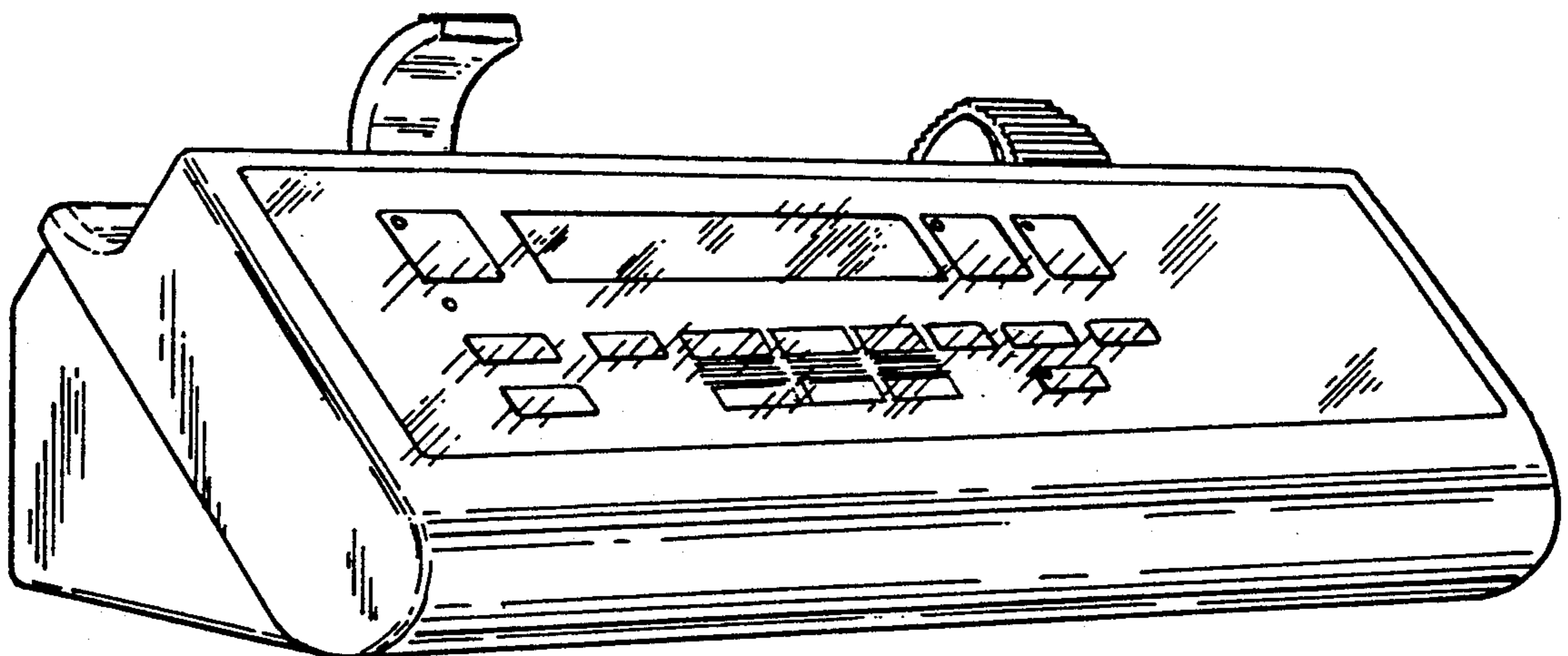
DESCRIPTION

[22] **Filed: May 5, 1989**

FIG. 1 is a front elevational view of a medical syringe pump for infusion, showing my new design;
 FIG. 2 is a rear elevational view thereof;
 FIG. 3 is a side elevational view thereof;
 FIG. 4 is a side elevational view thereof, opposite that shown in FIG. 3;
 FIG. 5 is a bottom plan view thereof;
 FIG. 6 is a front side perspective view thereof; and,
 FIG. 7 is a front side perspective view thereof, opposite that shown in FIG. 6.

[30] **Foreign Application Priority Data**

- Nov. 24, 1988 [GB] United Kingdom 1055196
 - [52] **U.S. Cl.** **D24/111**
 - [58] **Field of Search** **D24/111, 108; 604/250, 604/253, 152, 123, 131, 67, 65, 118; 128/DIG.**
- 12



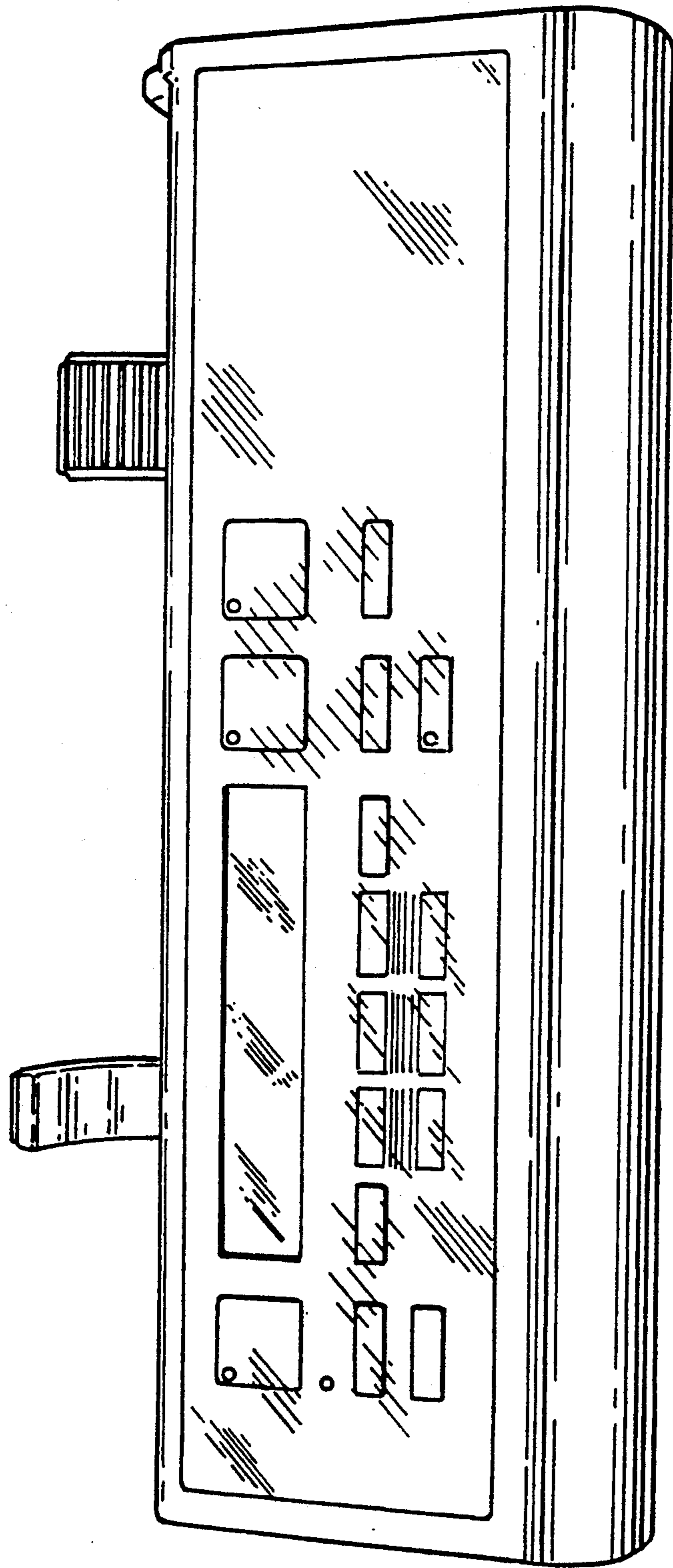


Figure 1

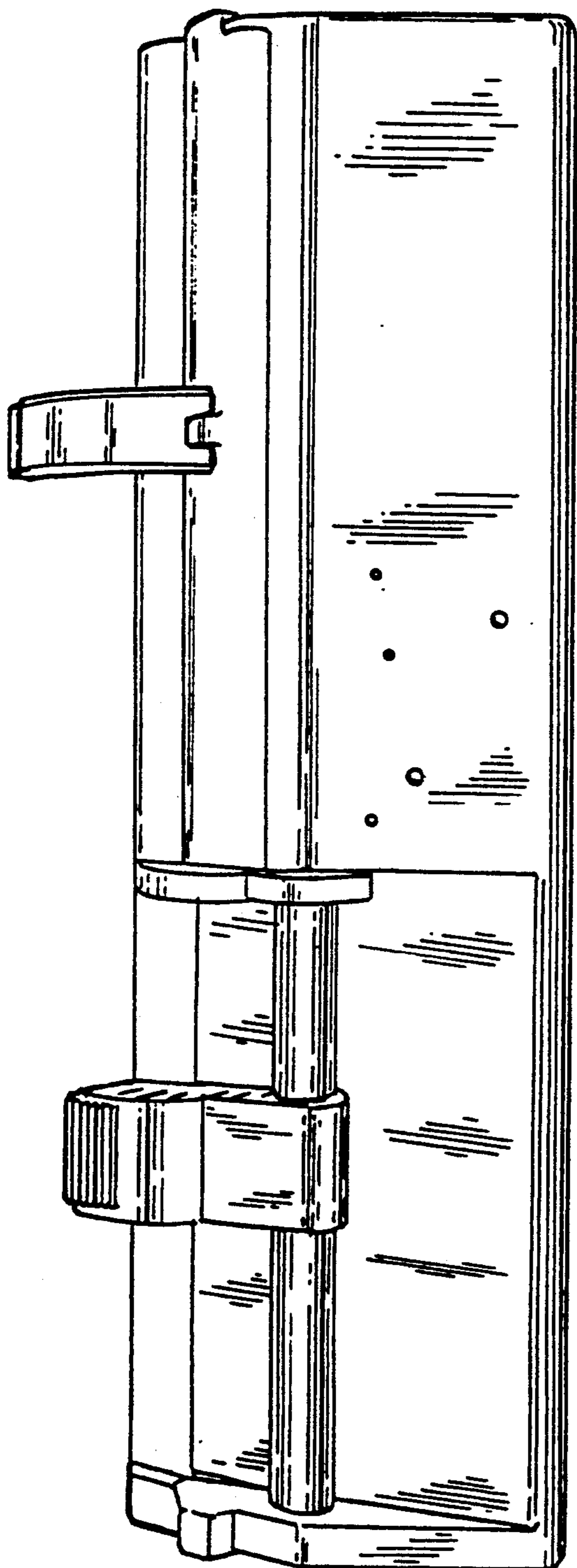


Figure 2

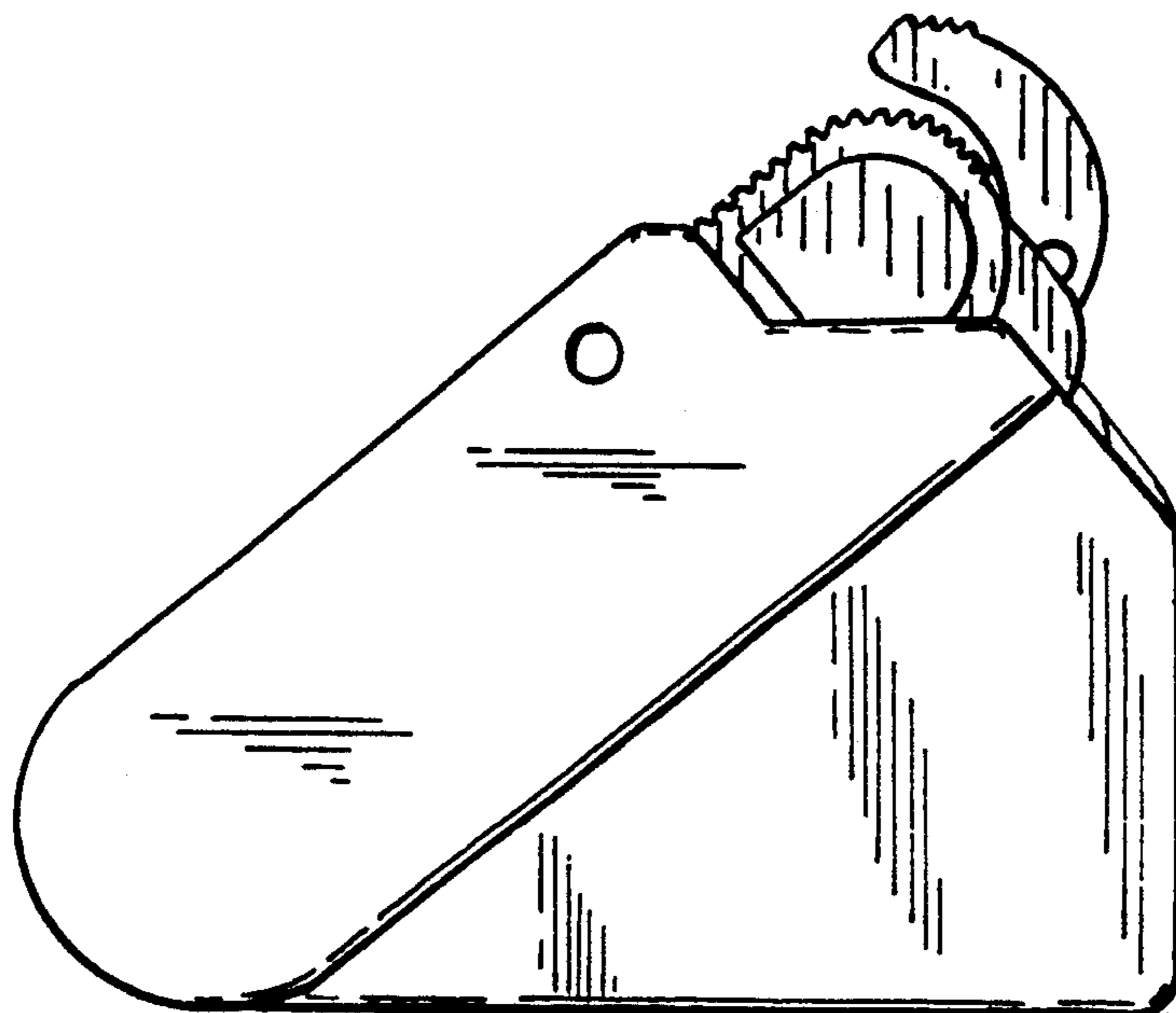


Figure 3

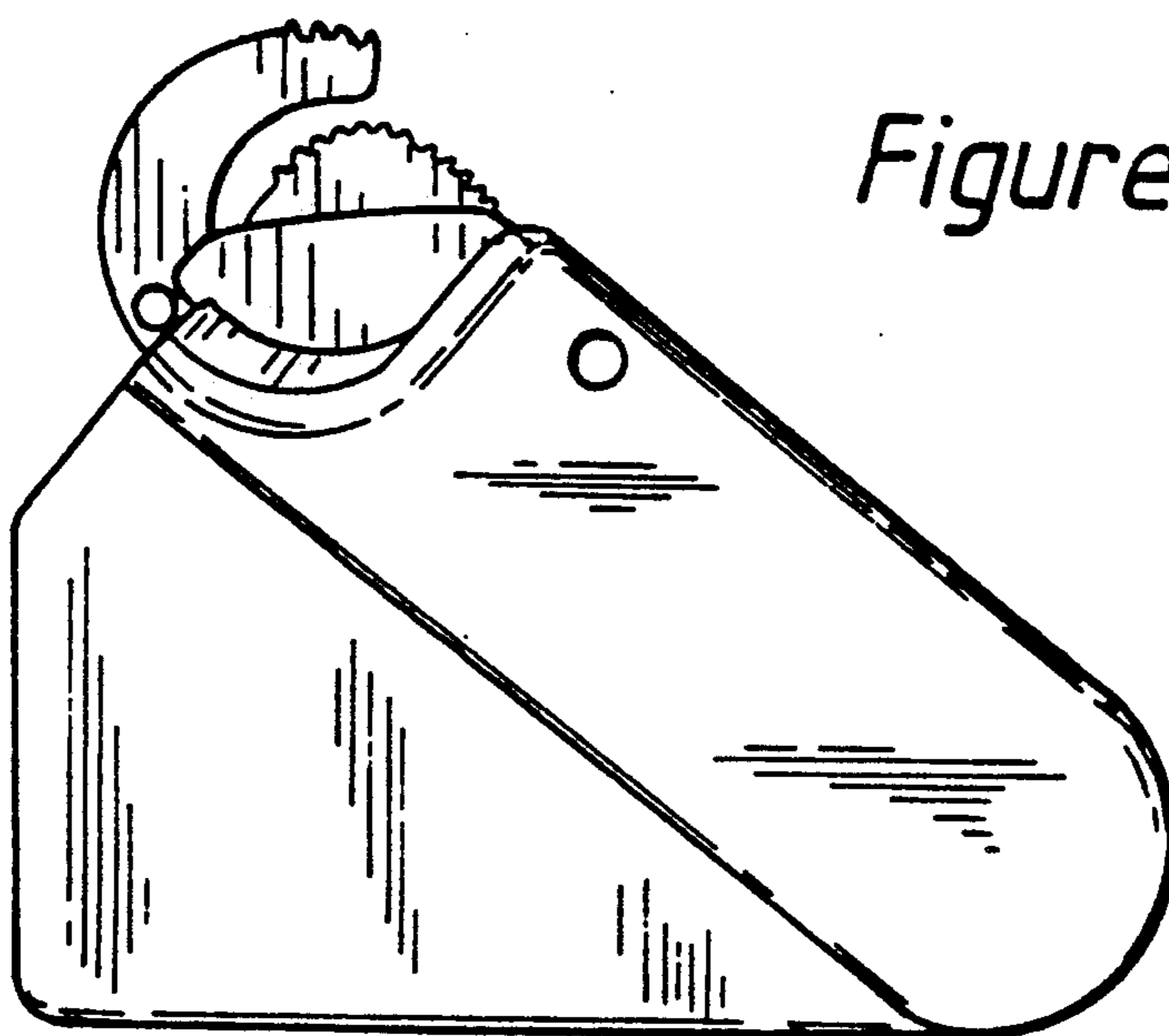


Figure 4

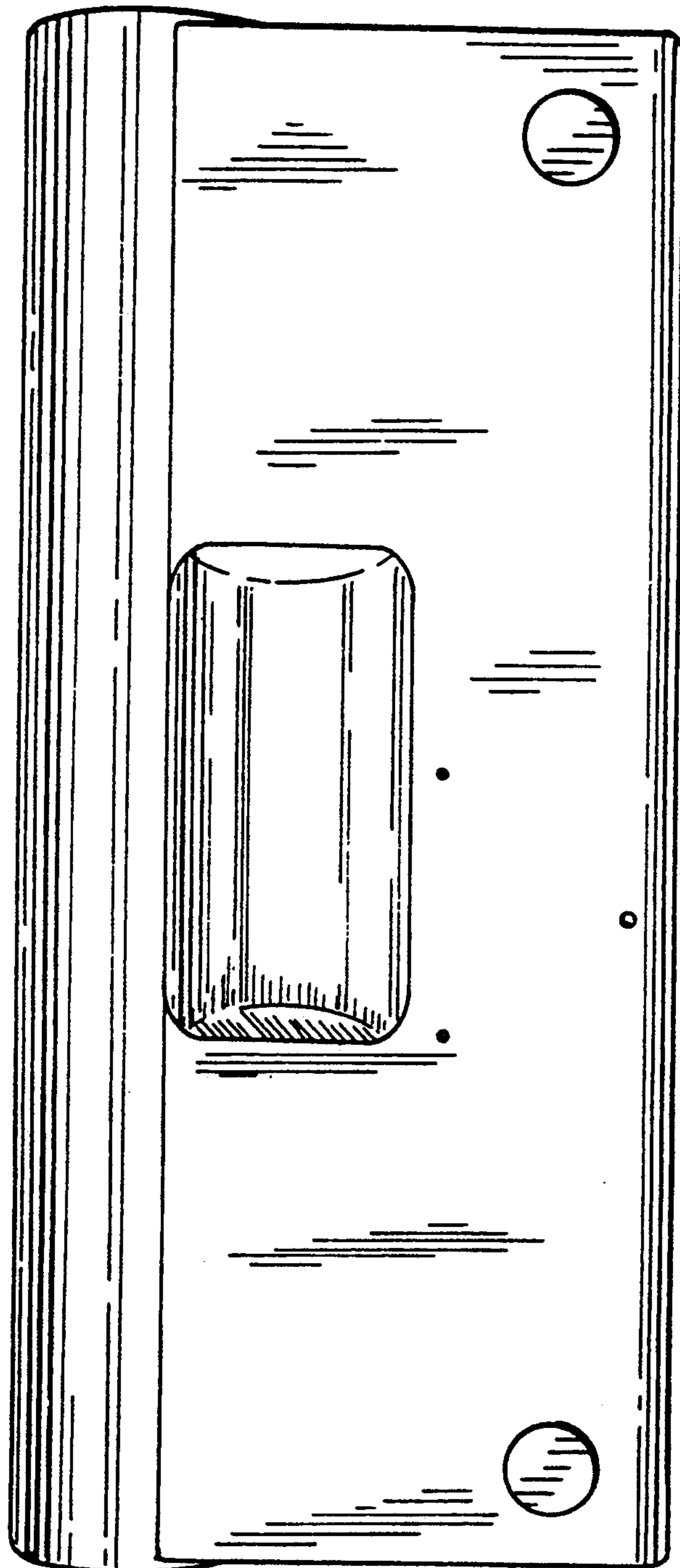


Figure 5

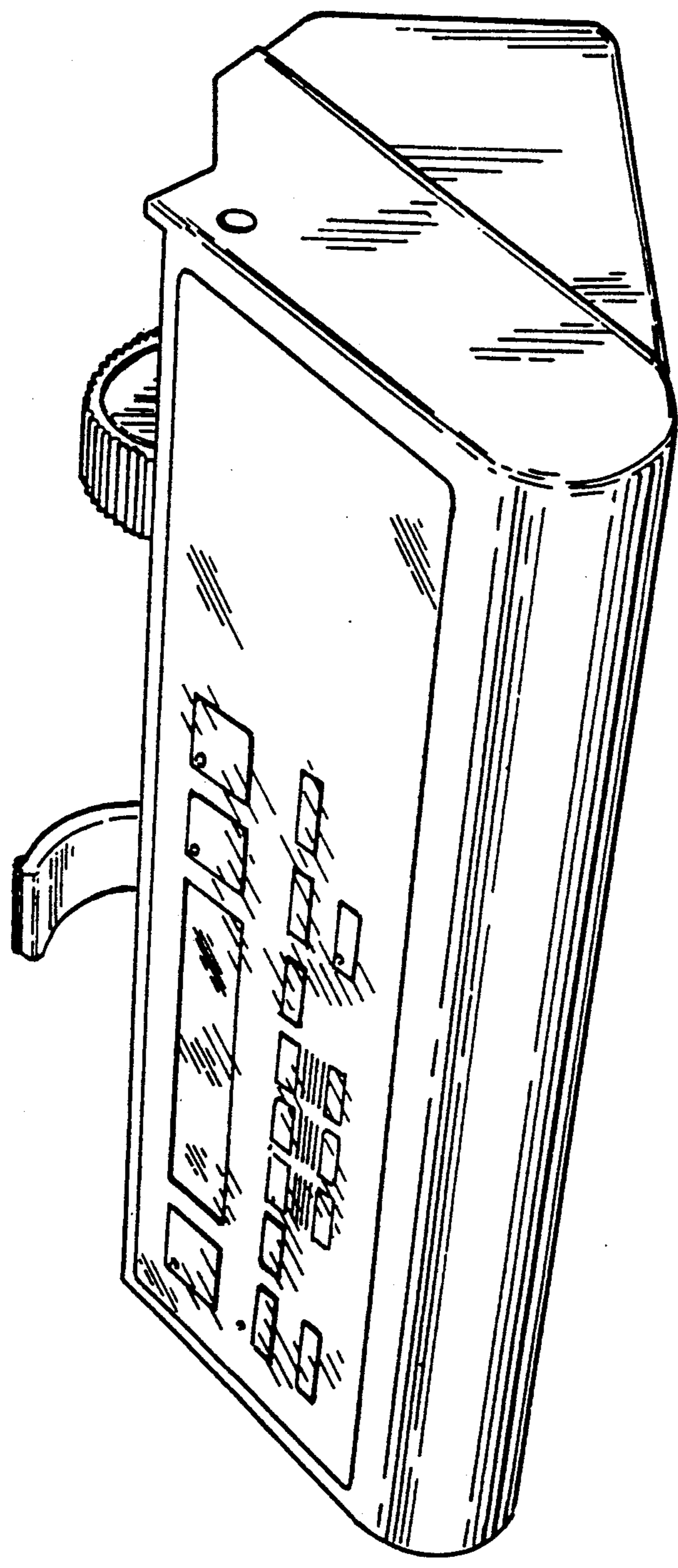


Figure 6

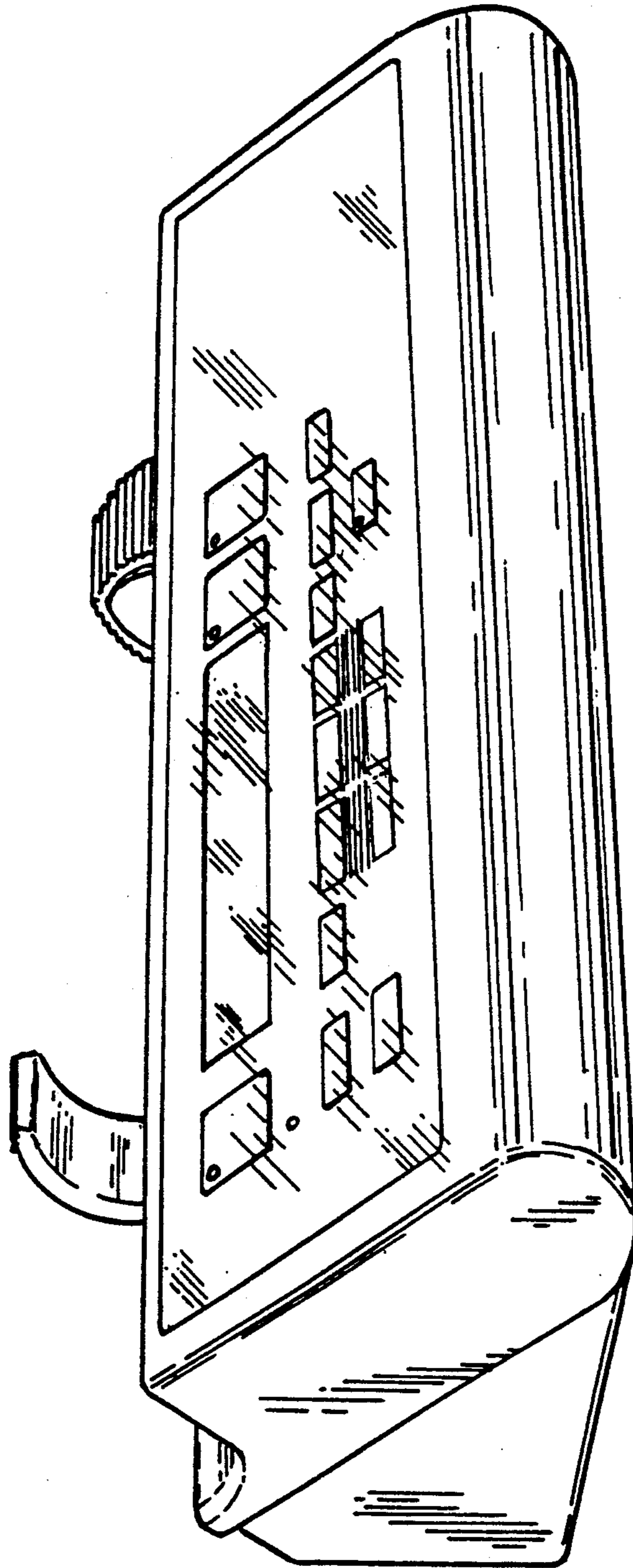


Figure 7