



US00D326319S

United States Patent [19]
Chambers

[11] **Patent Number: Des. 326,319**
[45] **Date of Patent: ** May 19, 1992**

[54] **BREAST PUMP**

5,007,899 4/1991 Larsson 604/74

[76] **Inventor: John M. Chambers, 49 Fox Wood Run, Middletown, N.J. 07748**

Primary Examiner—A. Hugo Word
Assistant Examiner—M. N. Pandozzi
Attorney, Agent, or Firm—R. Gale Rhodes, Jr.

[**] **Term: 14 Years**

[57] **CLAIM**

[21] **Appl. No.: 476,677**

The ornamental design for a breast pump, as shown and described.

[22] **Filed: Feb. 8, 1990**

[52] **U.S. Cl. D24/109**

DESCRIPTION

[58] **Field of Search D24/109; 604/74, 73, 604/346; 137/205; 417/14.42, 14.43, 14.53**

FIG. 1 is a front, right perspective view of a breast pump showing my new design;
FIG. 2 is a front elevational view design;
FIG. 3 is a rear elevational view thereof;
FIG. 4 is a left side elevational view, the right side being a mirror image thereof;
FIG. 5 is a top plan view thereof;
FIG. 6 is a bottom plan view thereof; and,
FIG. 7 is a cross sectional view thereof along line 7—7 of FIG. 2.

[56] **References Cited**

U.S. PATENT DOCUMENTS

D. 295,896	5/1988	Van Meter et al.	D24/109
D. 307,478	4/1990	Morifuji	D24/107
1,719,982	7/1929	Keith	604/346
4,323,067	4/1982	Adams	604/346
4,883,464	11/1989	Morifuki	604/74
4,886,494	12/1989	Morifuki	604/74

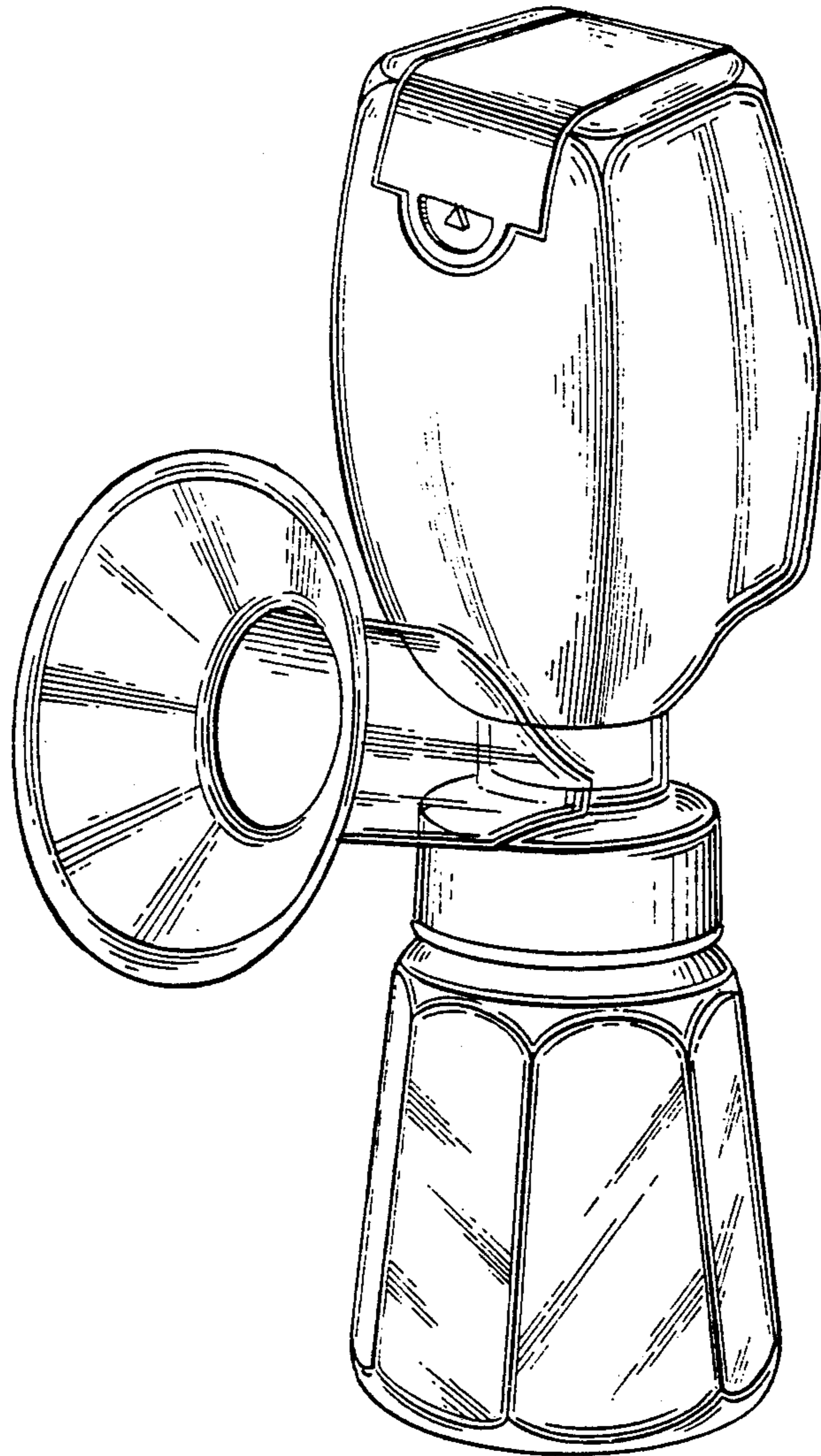


FIG. 1

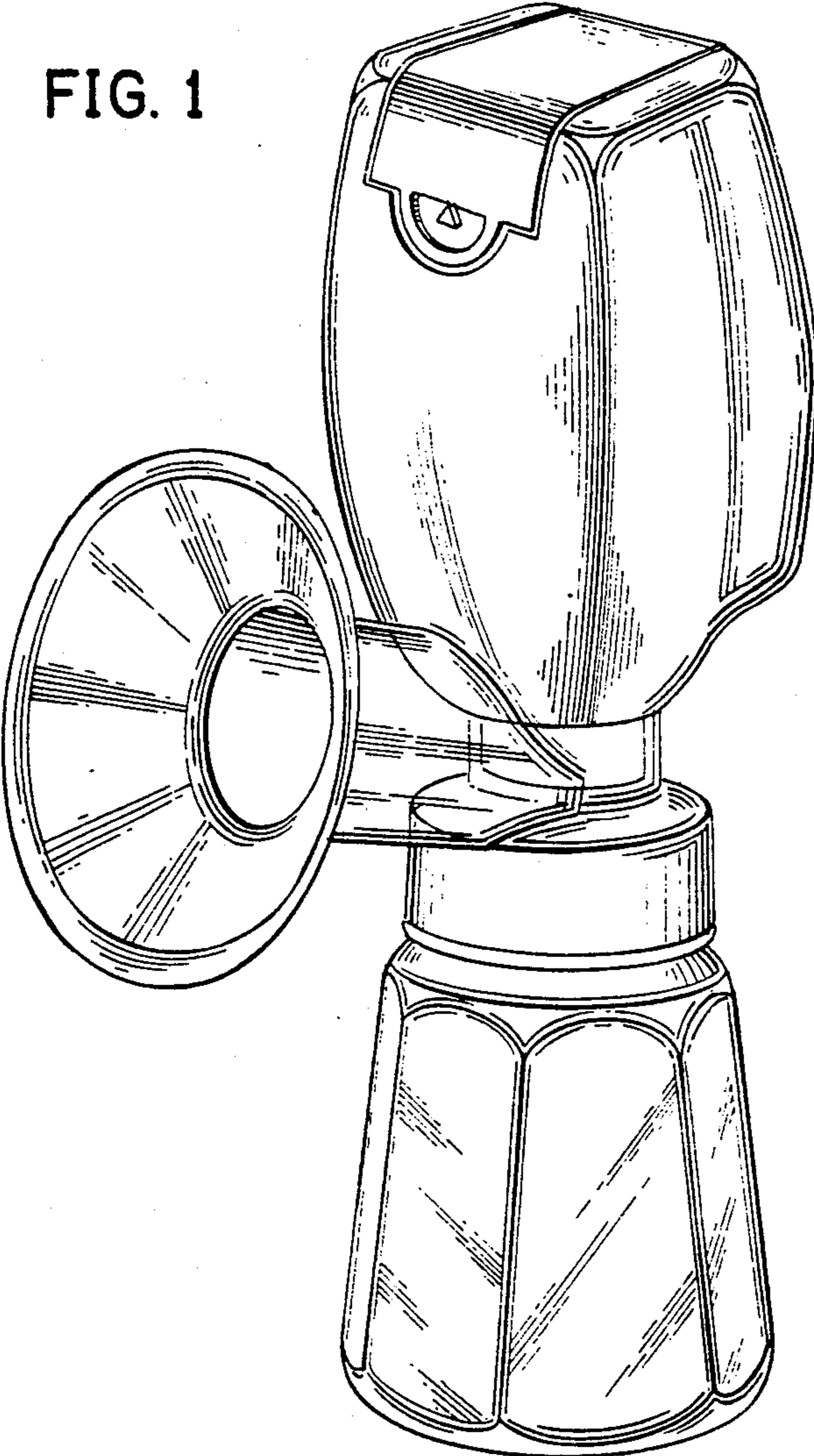


FIG. 2

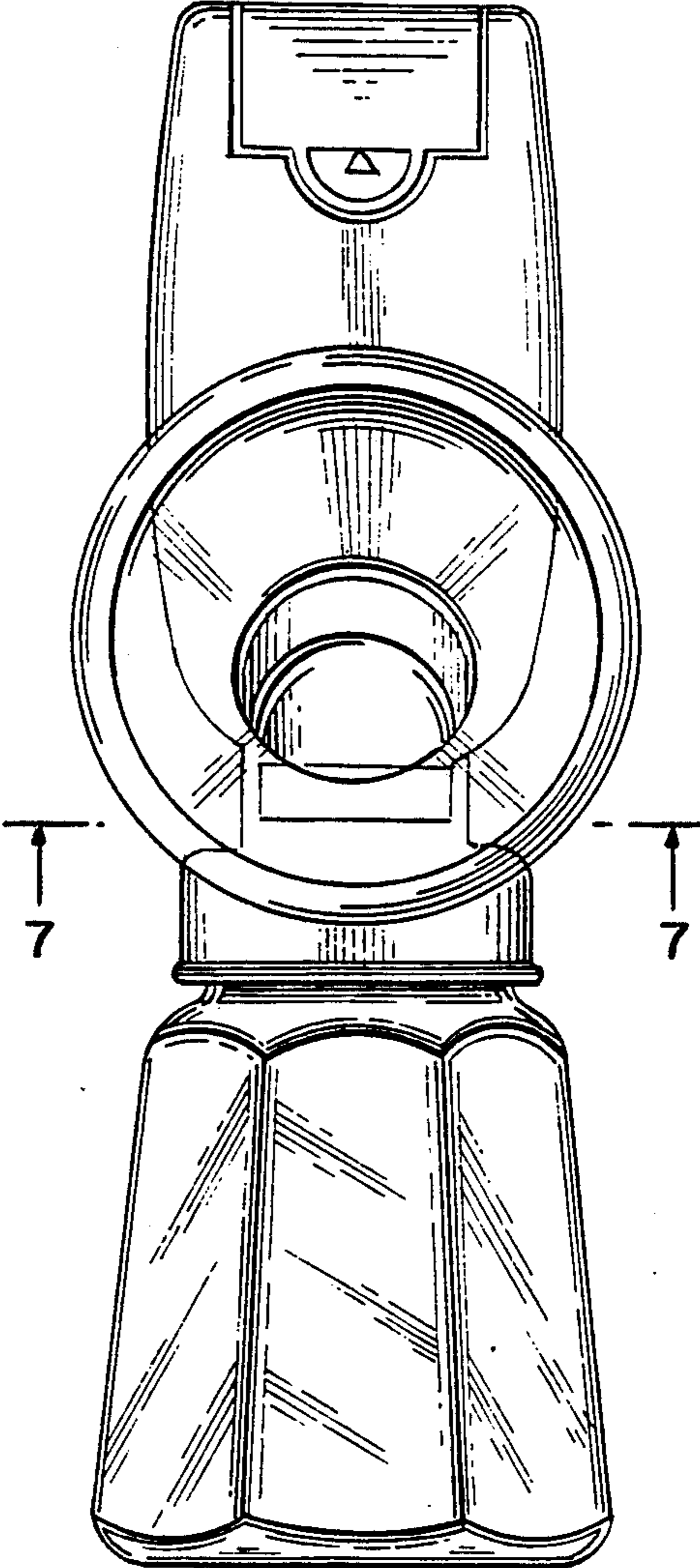


FIG. 4

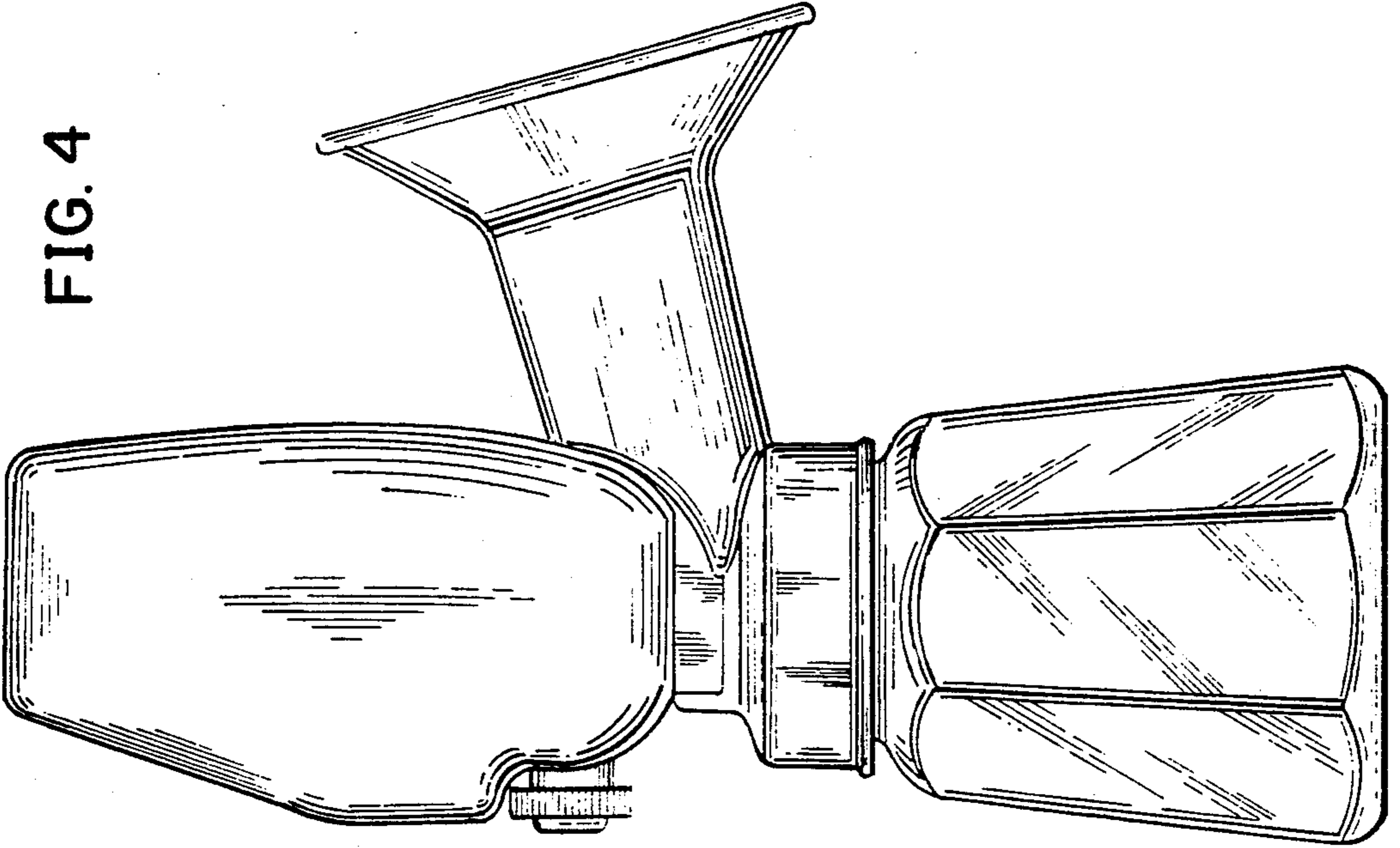


FIG. 3

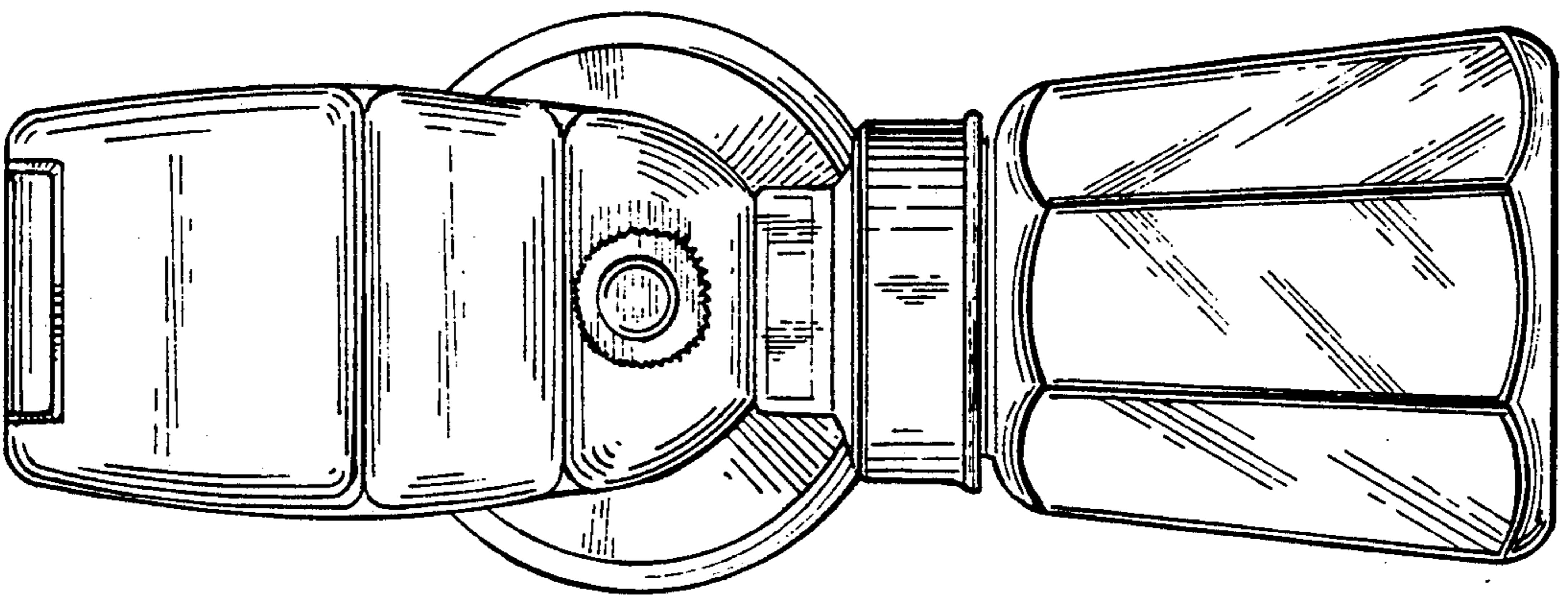


FIG. 5

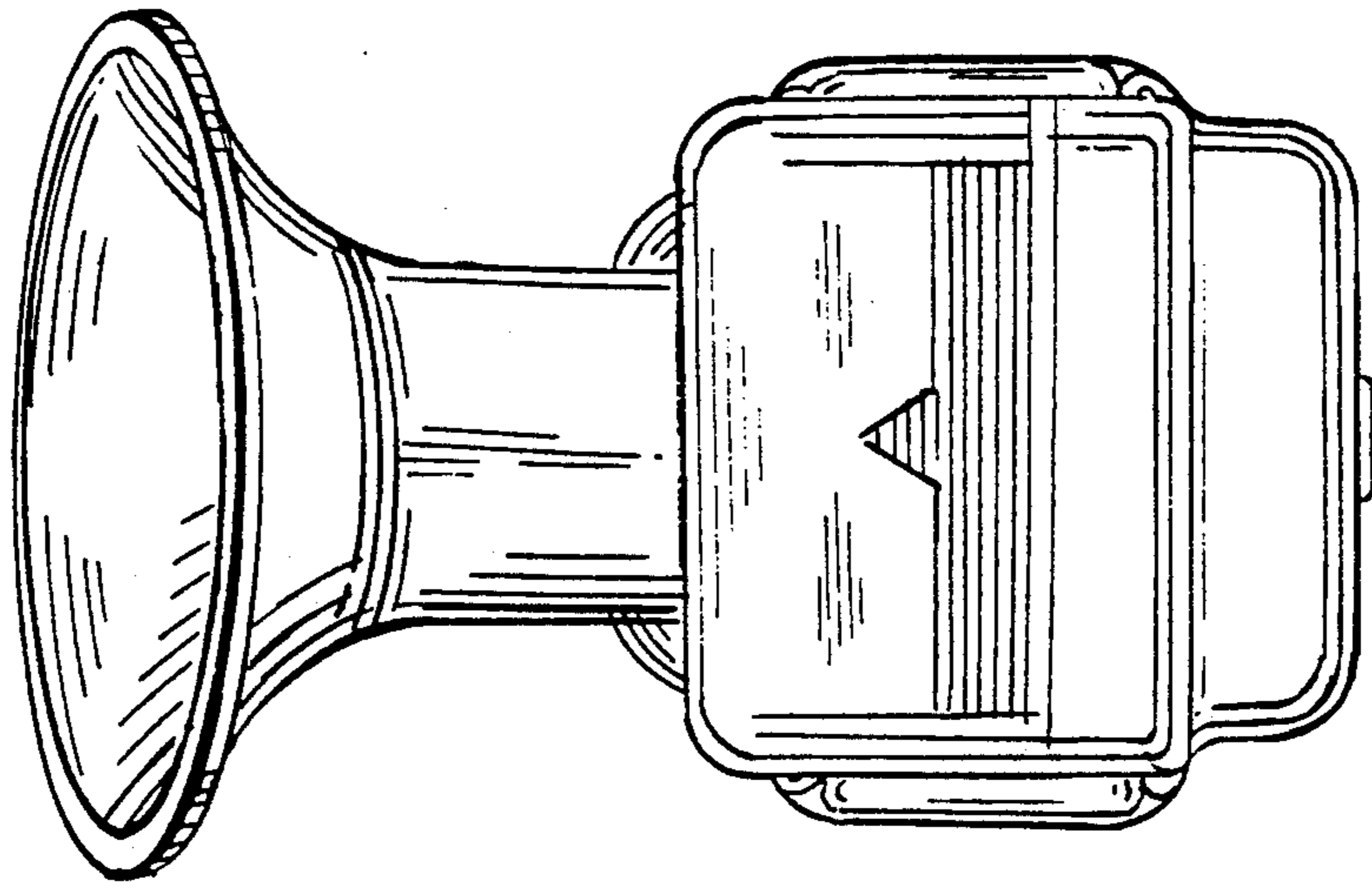


FIG. 6

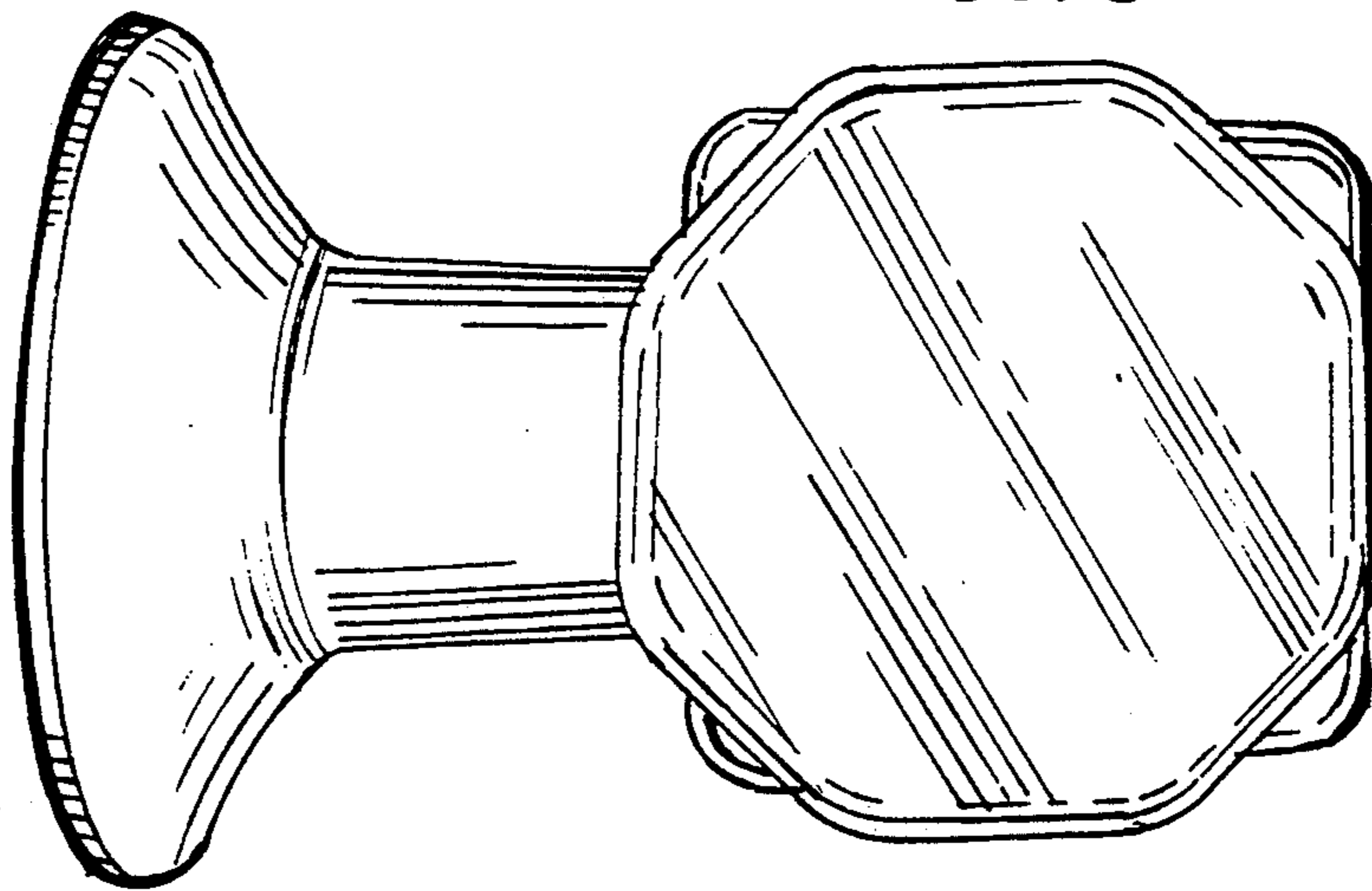


FIG. 7

