



US00D326316S

# United States Patent [19]

[11] Patent Number: **Des. 326,316**

Zhang

[45] Date of Patent: **\*\* May 19, 1992**

[54] **COMBINATION DUAL SIZE TOILET SEAT AND COVER**

|            |         |               |       |         |
|------------|---------|---------------|-------|---------|
| D. 309,176 | 7/1990  | Sessions      | ..... | D23/296 |
| 1,354,496  | 10/1920 | Lemberg       | ..... | 4/237   |
| 1,701,114  | 2/1929  | McKinney, Jr. | ..... | 4/235   |
| 4,680,816  | 7/1987  | Colombani     | ..... | 4/236 X |

[76] Inventor: **Xiao P. Zhang**, 1027 Cottonwood St., Emporia, Kans. 66801

*Primary Examiner*—Susan J. Lucas  
*Attorney, Agent, or Firm*—Leon Gilden

[\*\*] Term: **14 Years**

[57] **CLAIM**

[21] Appl. No.: **328,601**

The ornamental design for a combination dual size toilet seat and cover, as shown and described.

[22] Filed: **Mar. 27, 1989**

**DESCRIPTION**

[52] U.S. Cl. .... **D23/312**

[58] Field of Search ..... **D23/295-313;**  
**4/234-247**

FIG. 1 is a front elevational view of a combination dual size toilet seat and cover showing my new design; FIG. 2 is a rear elevational view thereof; FIG. 3 is a left side elevational view thereof; FIG. 4 is a right side elevational view thereof; FIG. 5 is a top plan view thereof; and, FIG. 6 is a bottom plan view thereof.

[56] **References Cited**

**U.S. PATENT DOCUMENTS**

|            |        |         |       |         |
|------------|--------|---------|-------|---------|
| D. 252,946 | 9/1979 | Johnson | ..... | D23/312 |
| D. 306,899 | 3/1990 | Miller  | ..... | D23/296 |

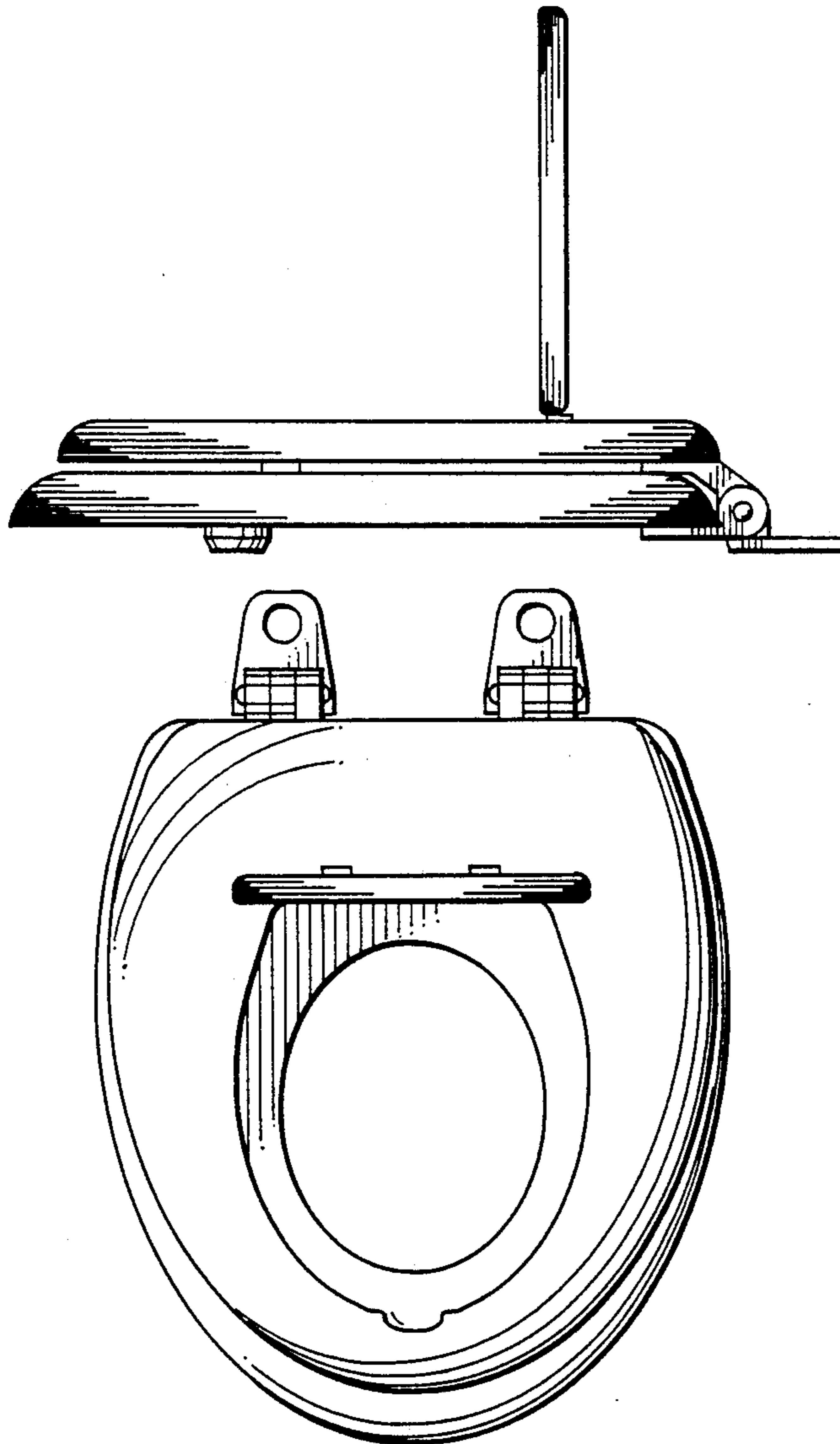


Fig. 1

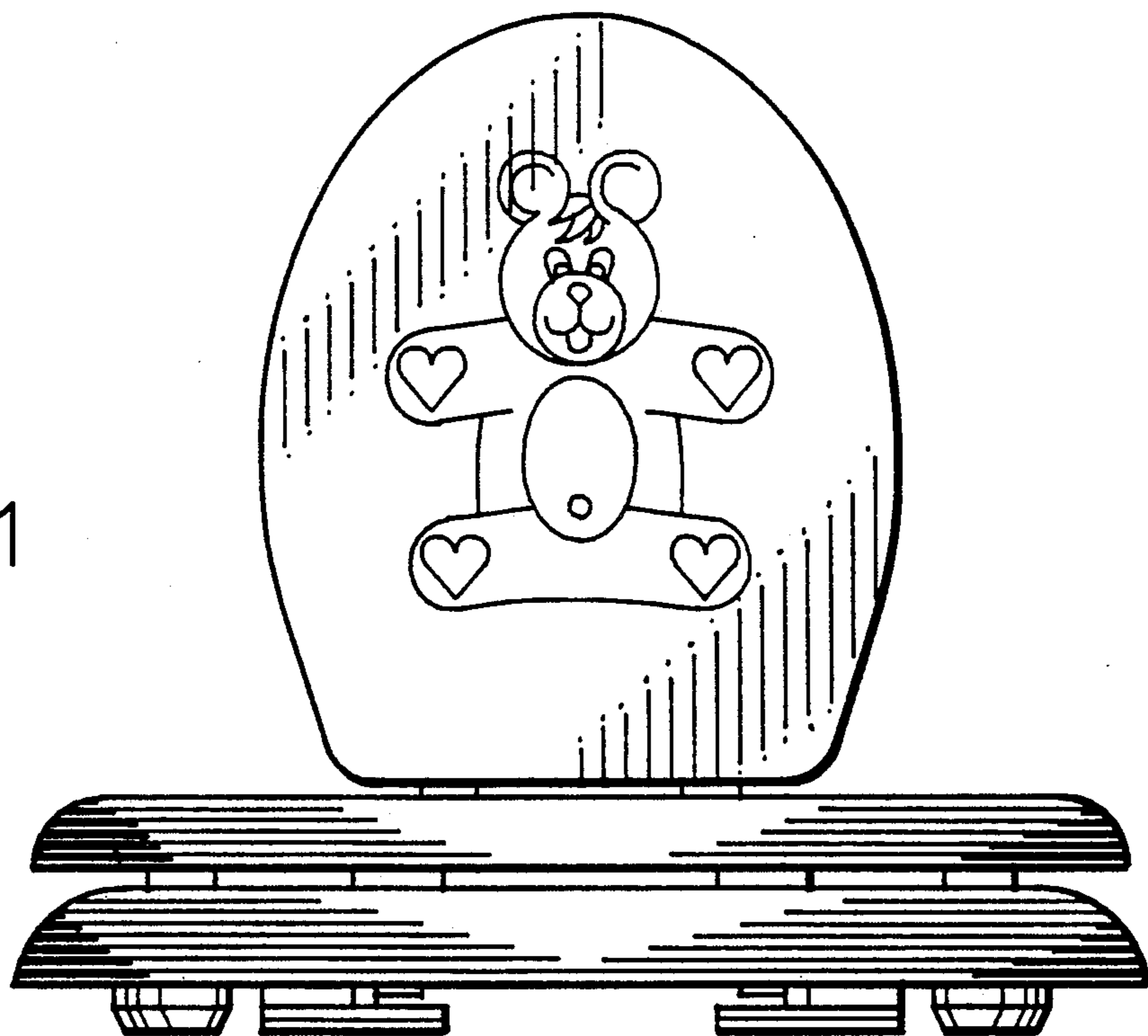
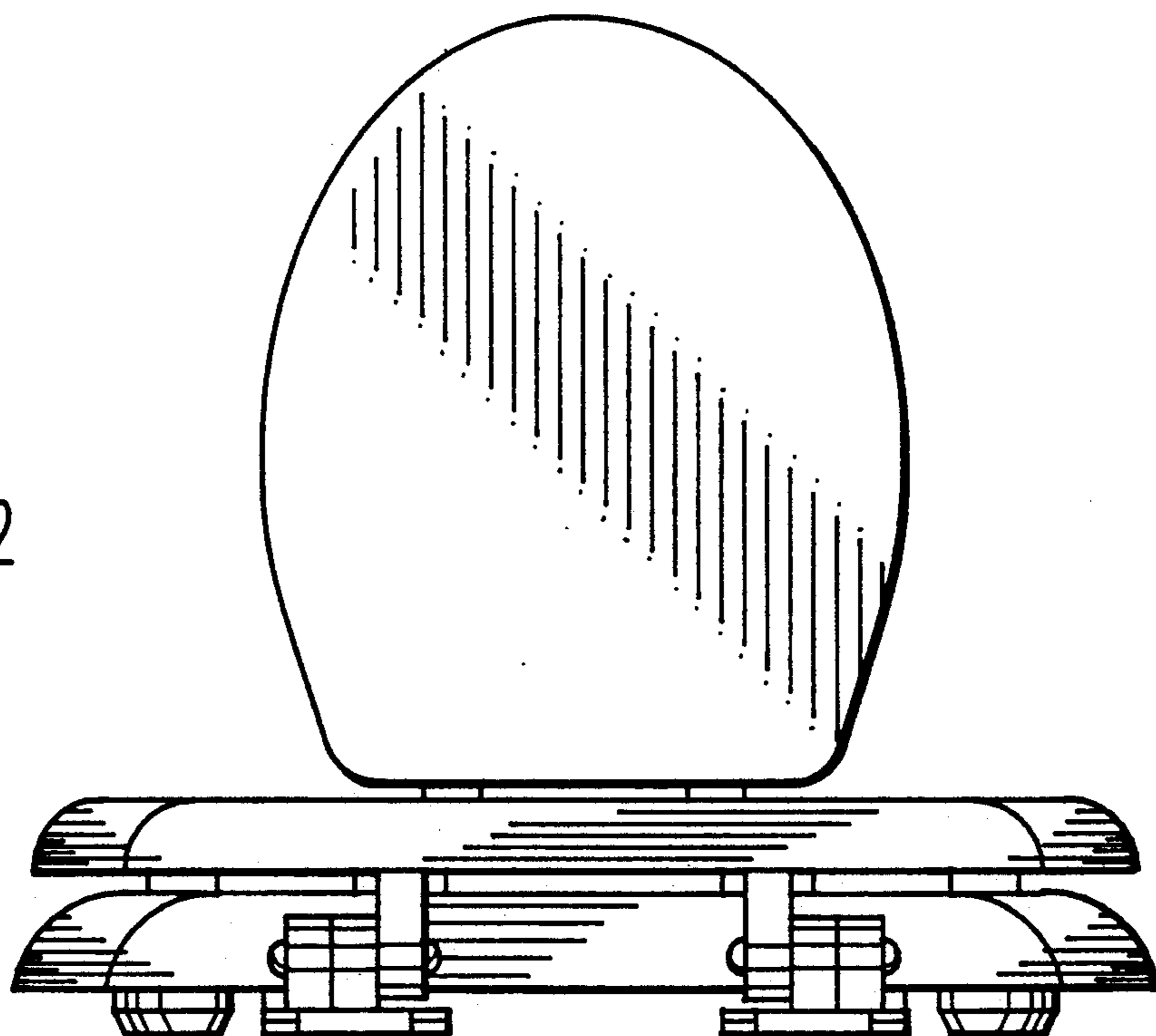
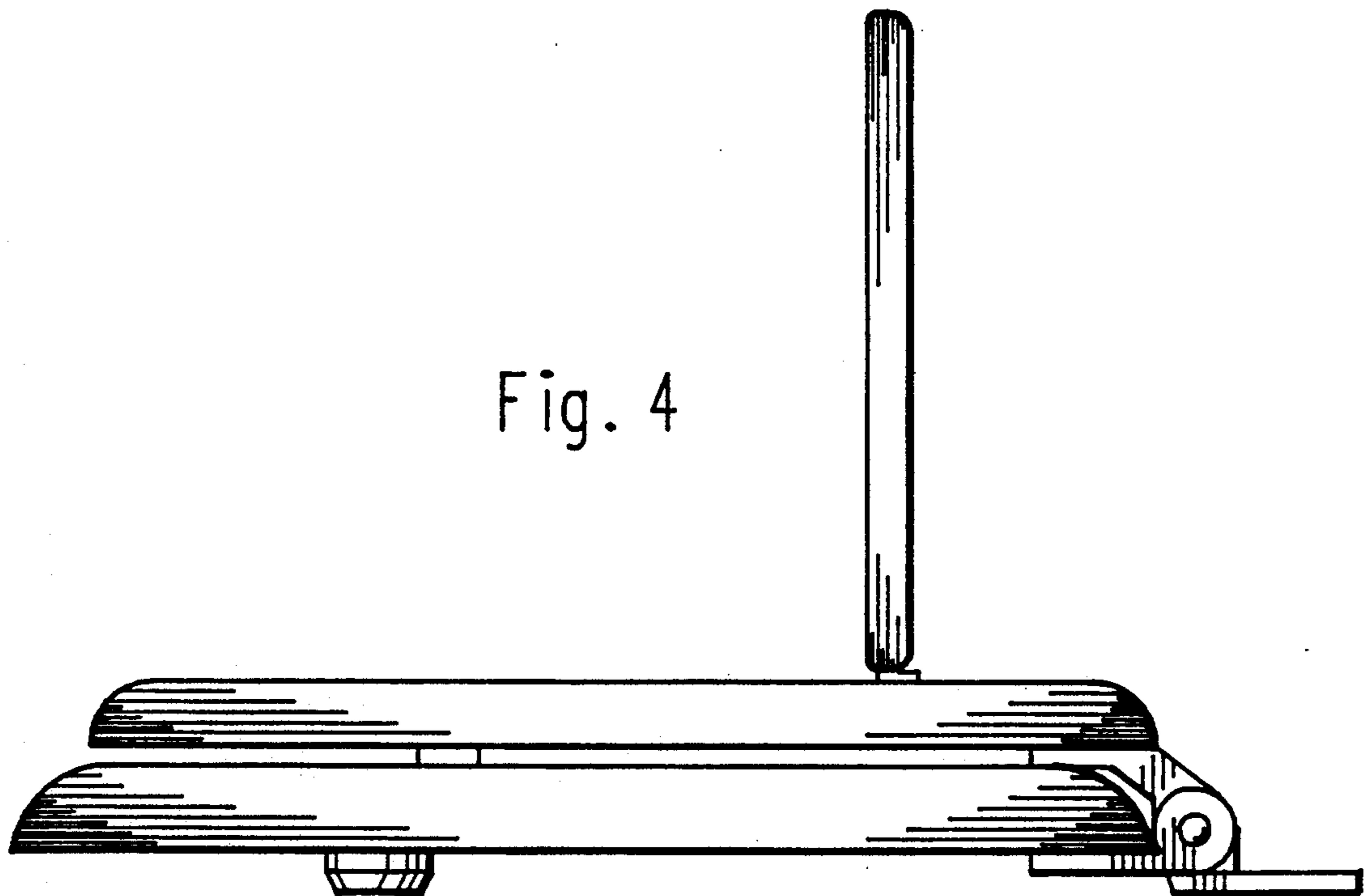
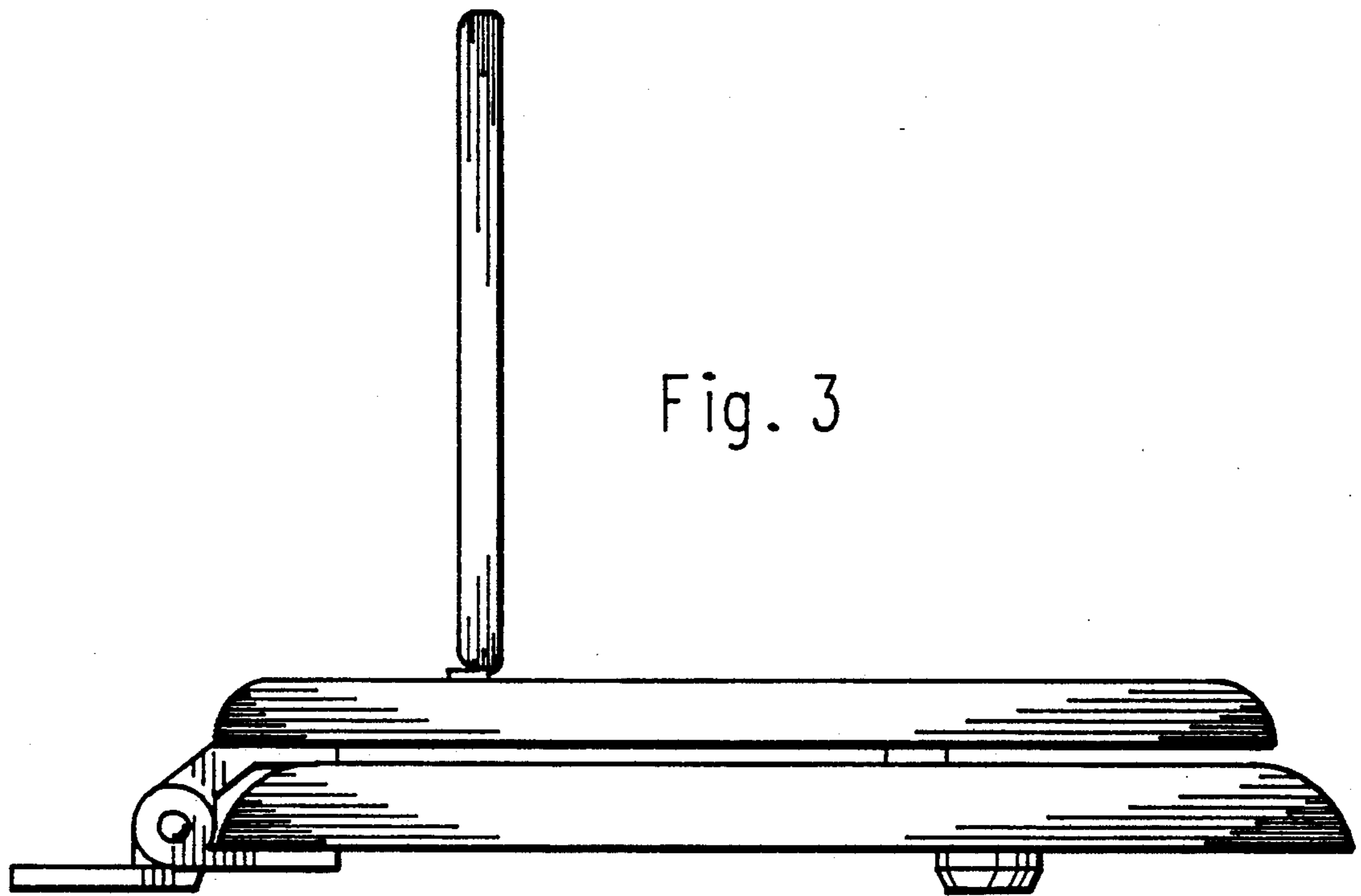


Fig. 2





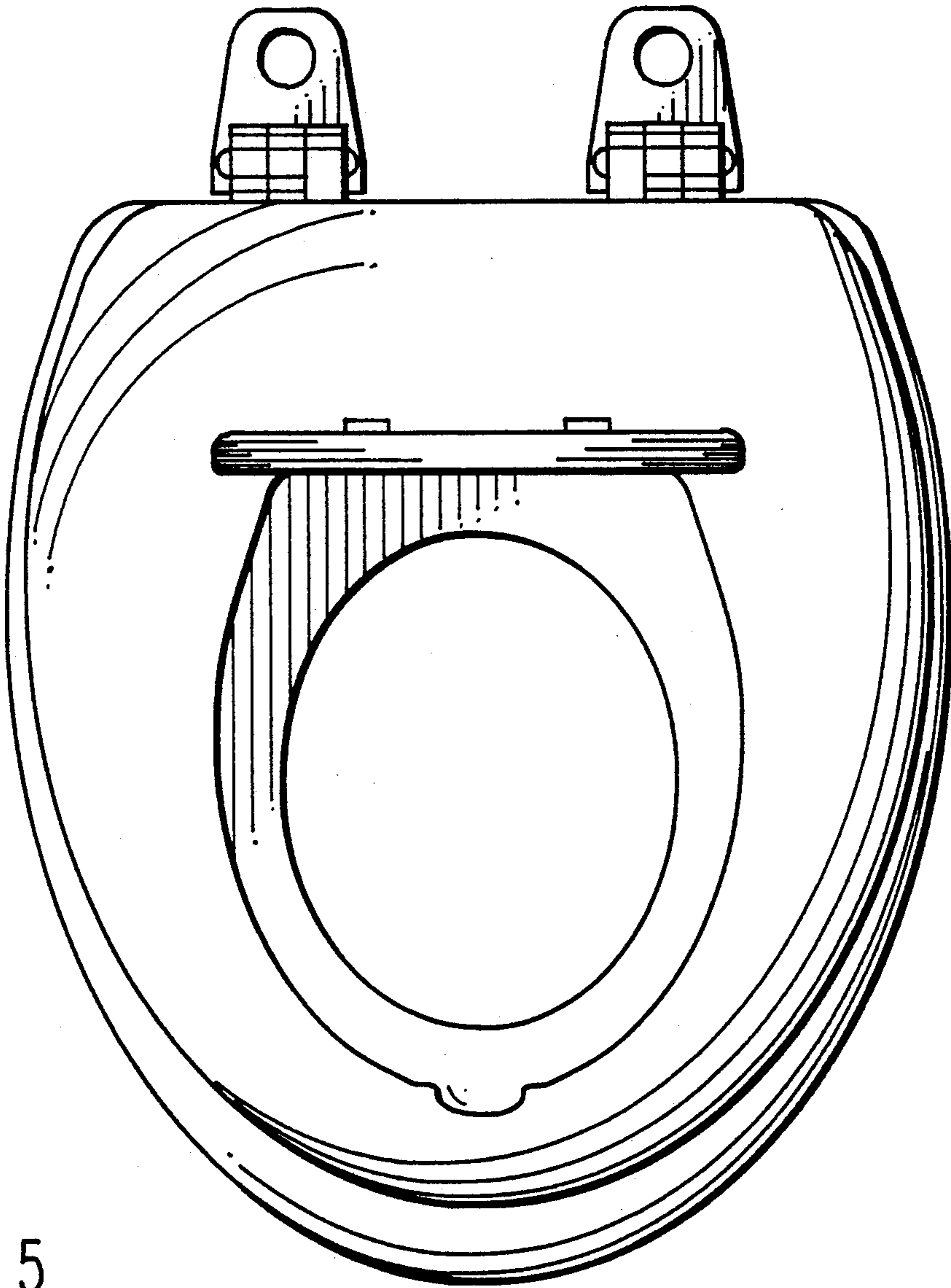


Fig. 5

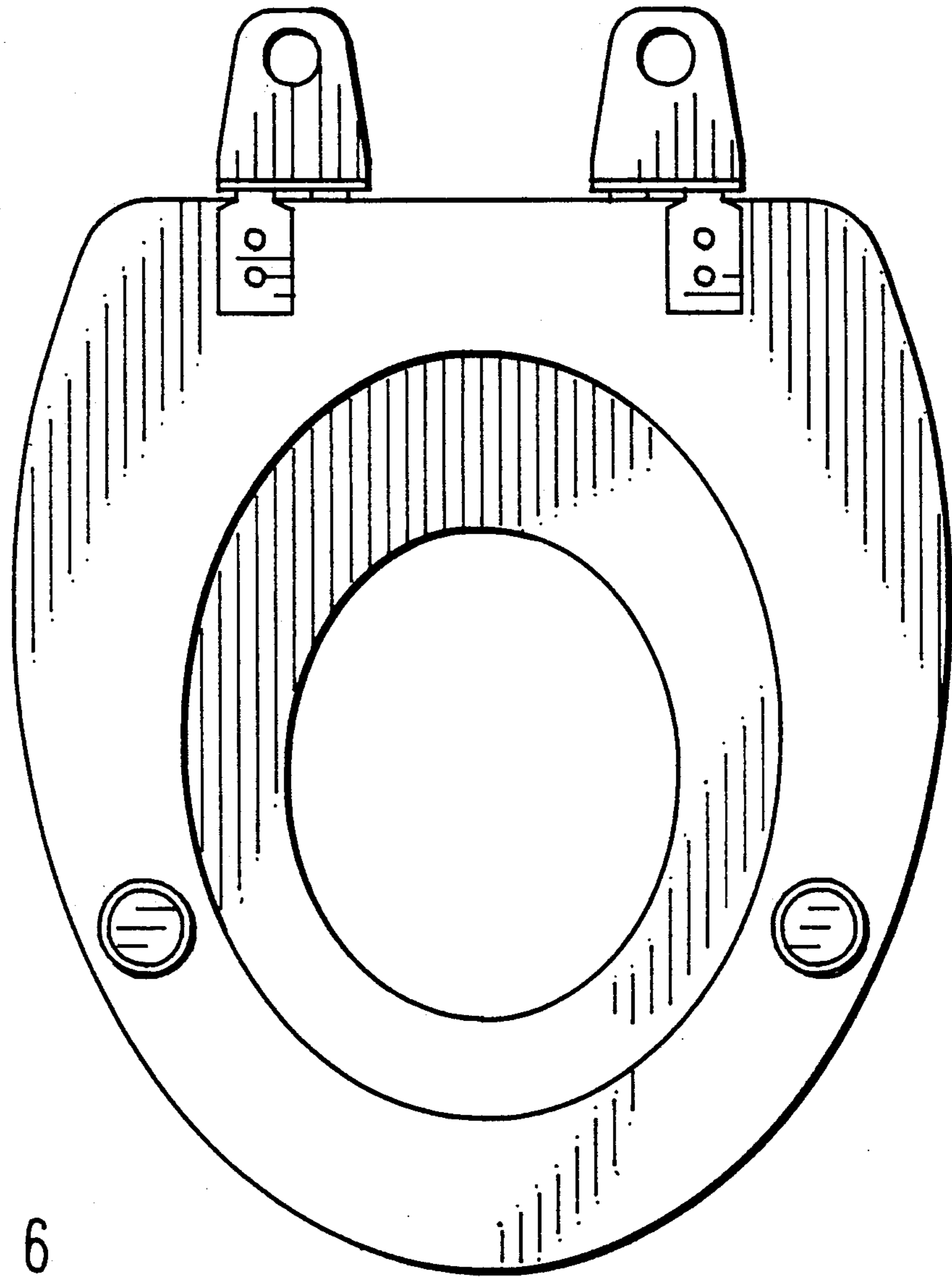


Fig. 6