



US00D326314S

United States Patent [19]

[11] Patent Number: **Des. 326,314**

Purrier et al.

[45] Date of Patent: **** May 19, 1992**

[54] **BATHTUB FOR INFANTS**

3,392,408	7/1968	Stiphany	4/572
4,216,552	8/1980	Gurolniek	4/572
4,561,135	12/1985	Adriaansen	4/572

[76] Inventors: **Leighton S. Purrier; Jennifer Leyton-Purrier**, both of Heath Villa, 16 South Road, Norton, Stourbridge, West Midlands DY8 3XZ, England

FOREIGN PATENT DOCUMENTS

848474 9/1960 United Kingdom 4/572

[**] Term: **14 Years**

Primary Examiner—James R. Largen
Attorney, Agent, or Firm—Staas & Halsey

[21] Appl. No.: **521,934**

[57] **CLAIM**

[22] Filed: **May 11, 1990**

The ornamental design for a bathtub for infants, as shown.

[30] **Foreign Application Priority Data**

Nov. 11, 1989 [GB] United Kingdom 2002412

[52] U.S. Cl. **D23/278**

[58] Field of Search D23/278, 296, 297, 303-313; 4/538, 572

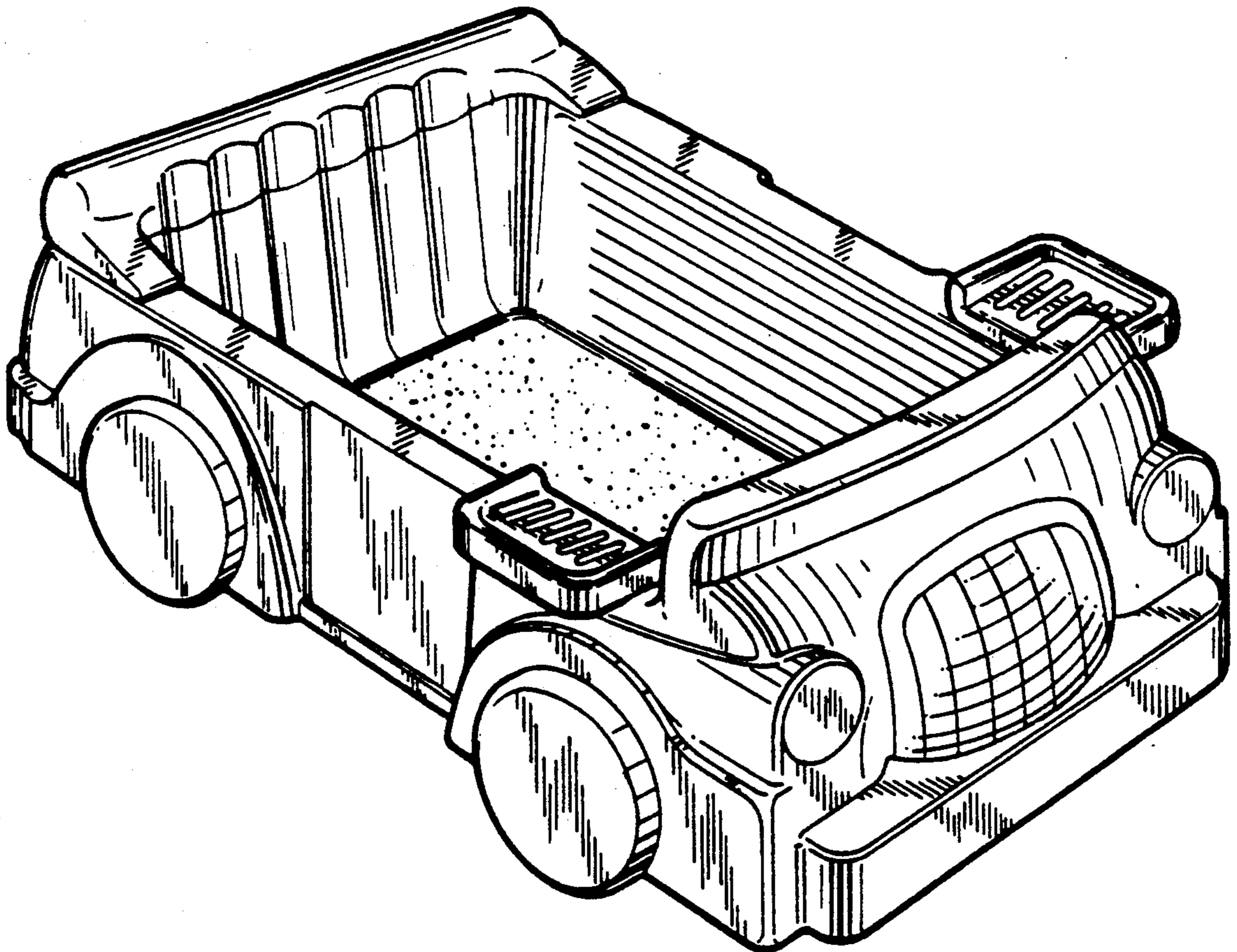
DESCRIPTION

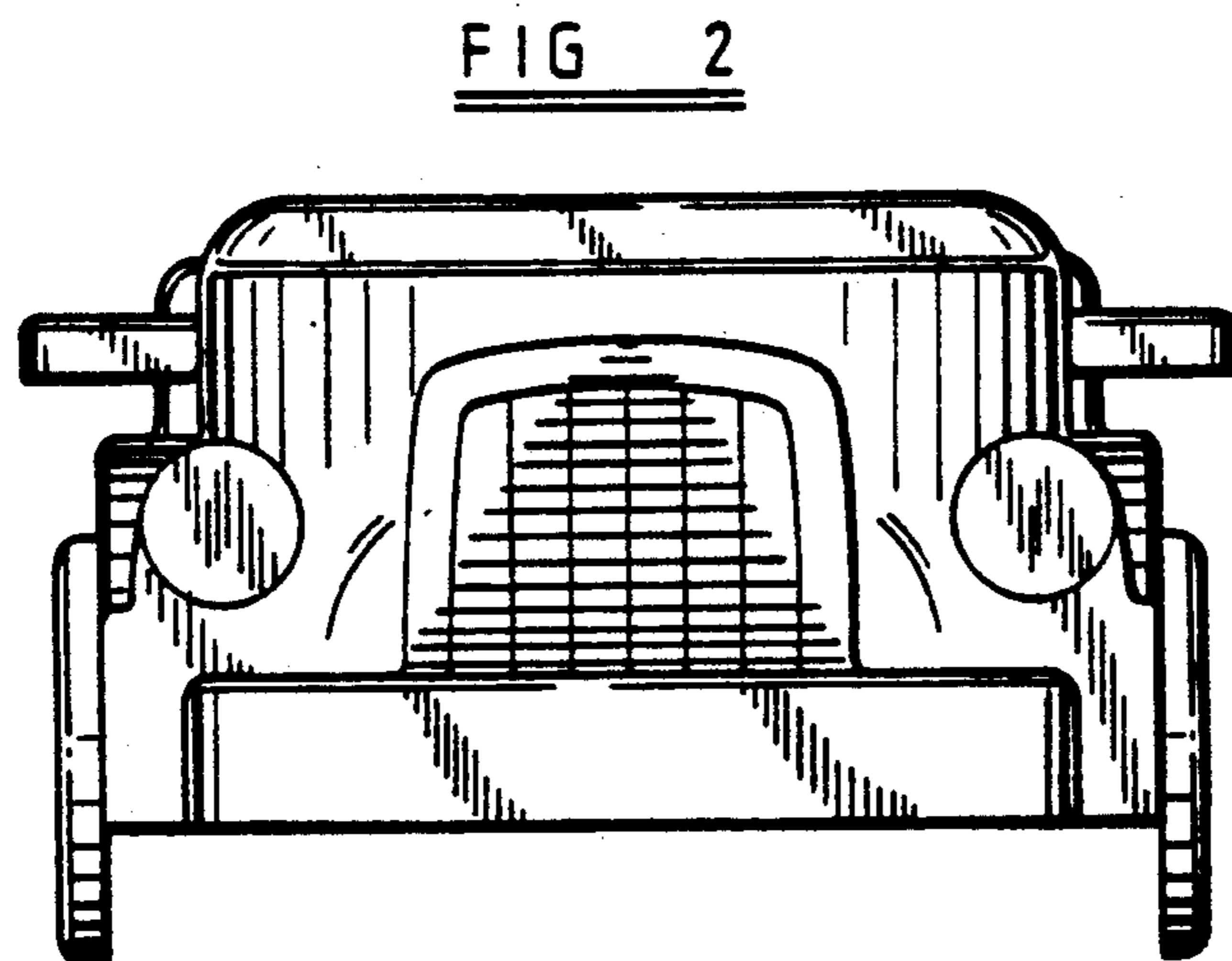
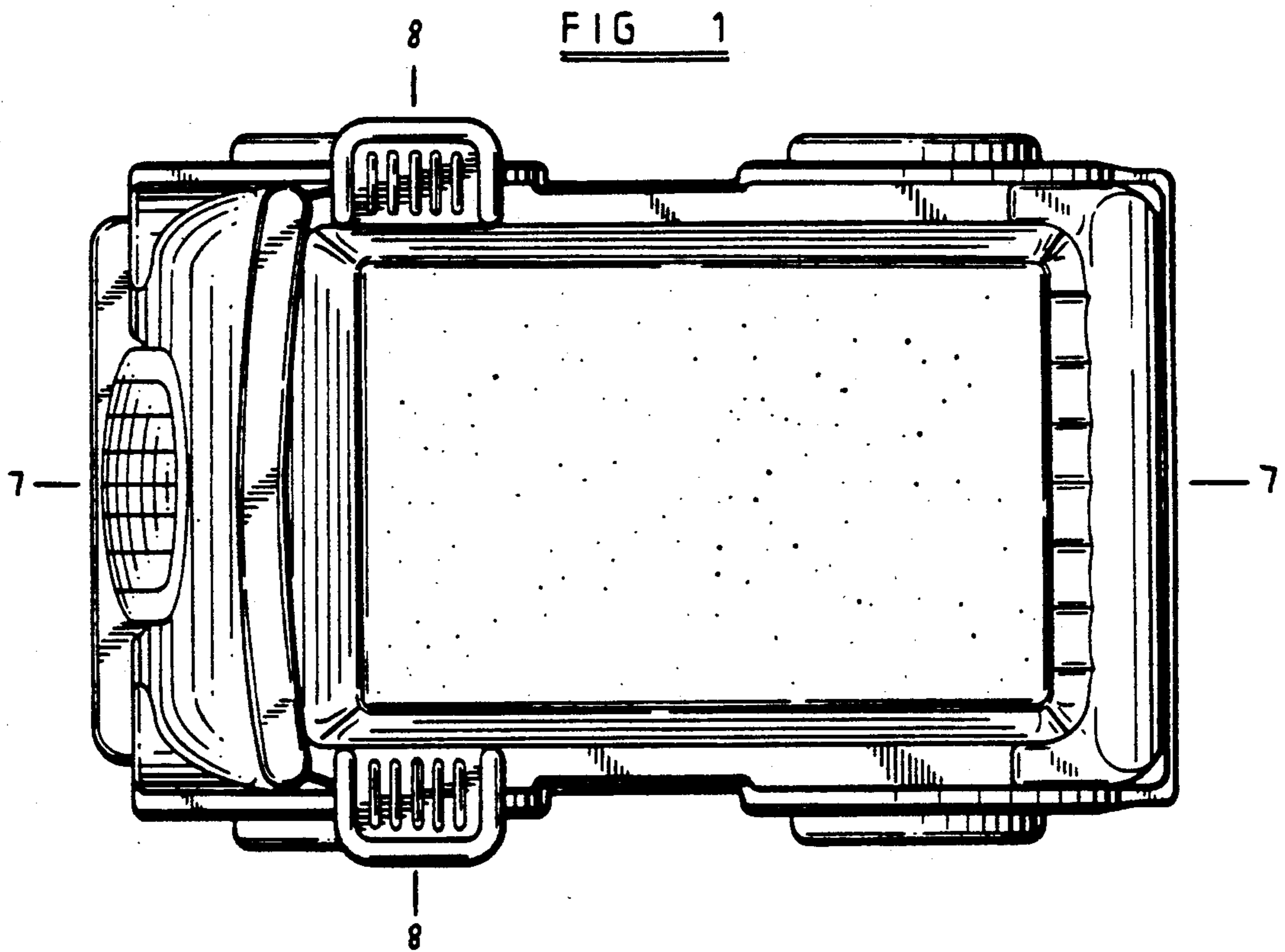
FIG. 1 is a top plan view of a bathtub for infants showing our new design;
FIG. 2 is a front elevational view thereof;
FIG. 3 is a perspective view taken from the top, front and left side thereof;
FIG. 4 is a right side elevational view thereof;
FIG. 5 is a rear elevational view thereof;
FIG. 6 is a bottom plan view thereof;
FIG. 7 is a cross sectional view taken on line 7-7 of FIG. 1; and,
FIG. 8 is a cross sectional view taken on line 8-8 of FIG. 1.

[56] **References Cited**

U.S. PATENT DOCUMENTS

D. 186,578	11/1959	Willis	D23/278
D. 188,838	9/1960	Johnson, Jr.	D23/278
D. 220,103	3/1971	Clowe	D23/278
D.320,845	10/1991	Lambdin	D23/297
1,512,068	10/1924	Thornburg	4/572
2,193,374	3/1940	Nottey	4/572





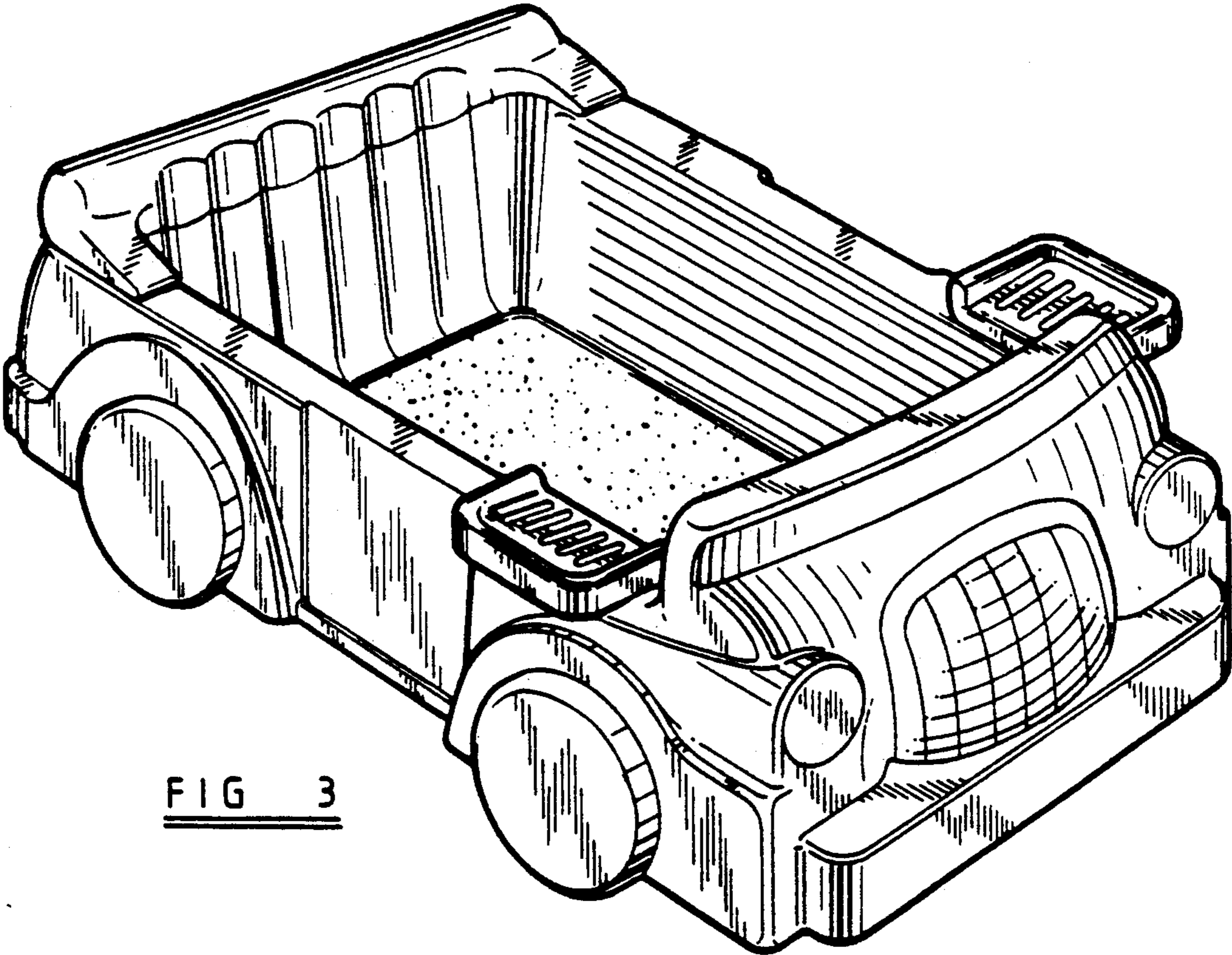


FIG 3

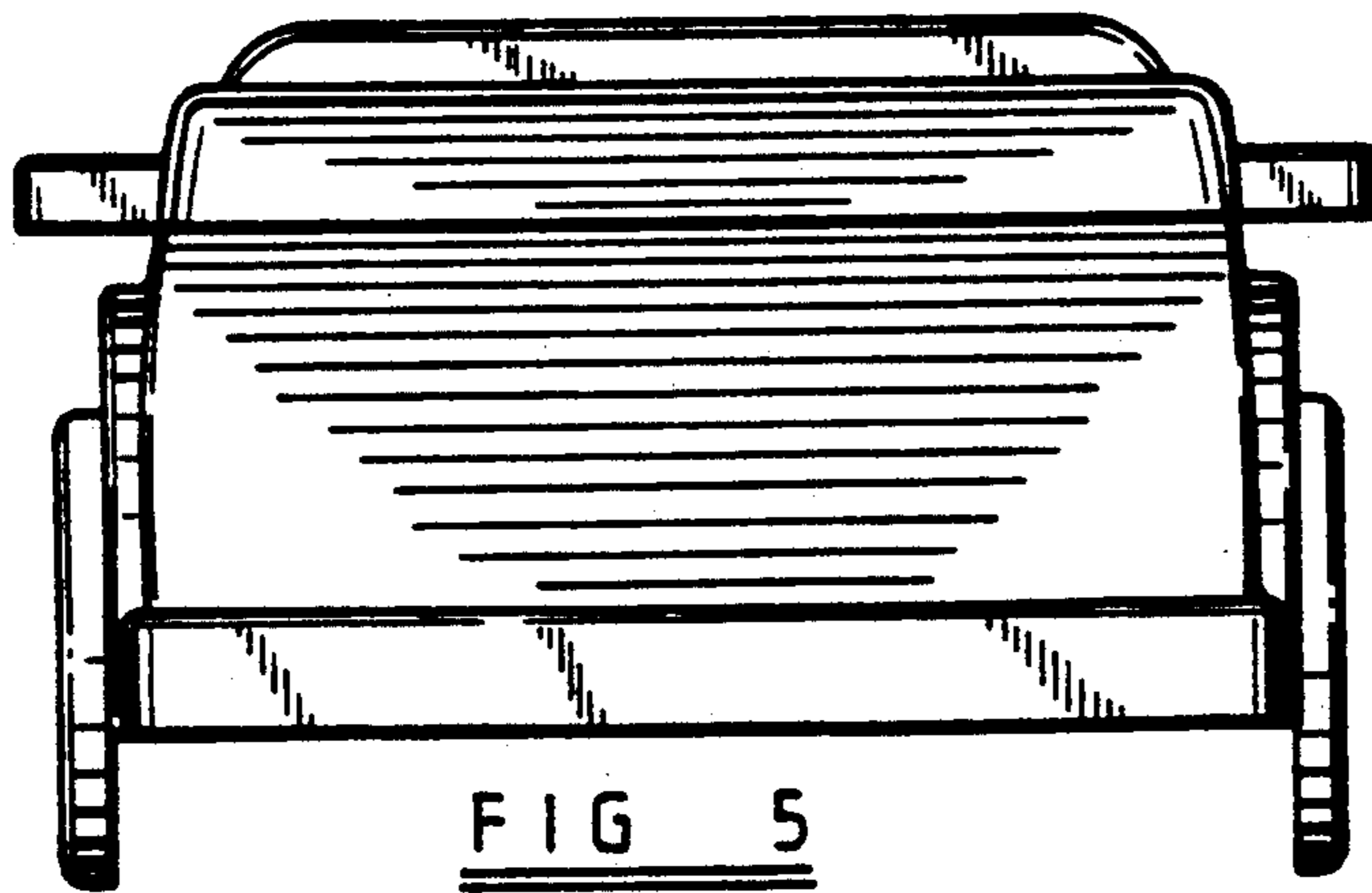
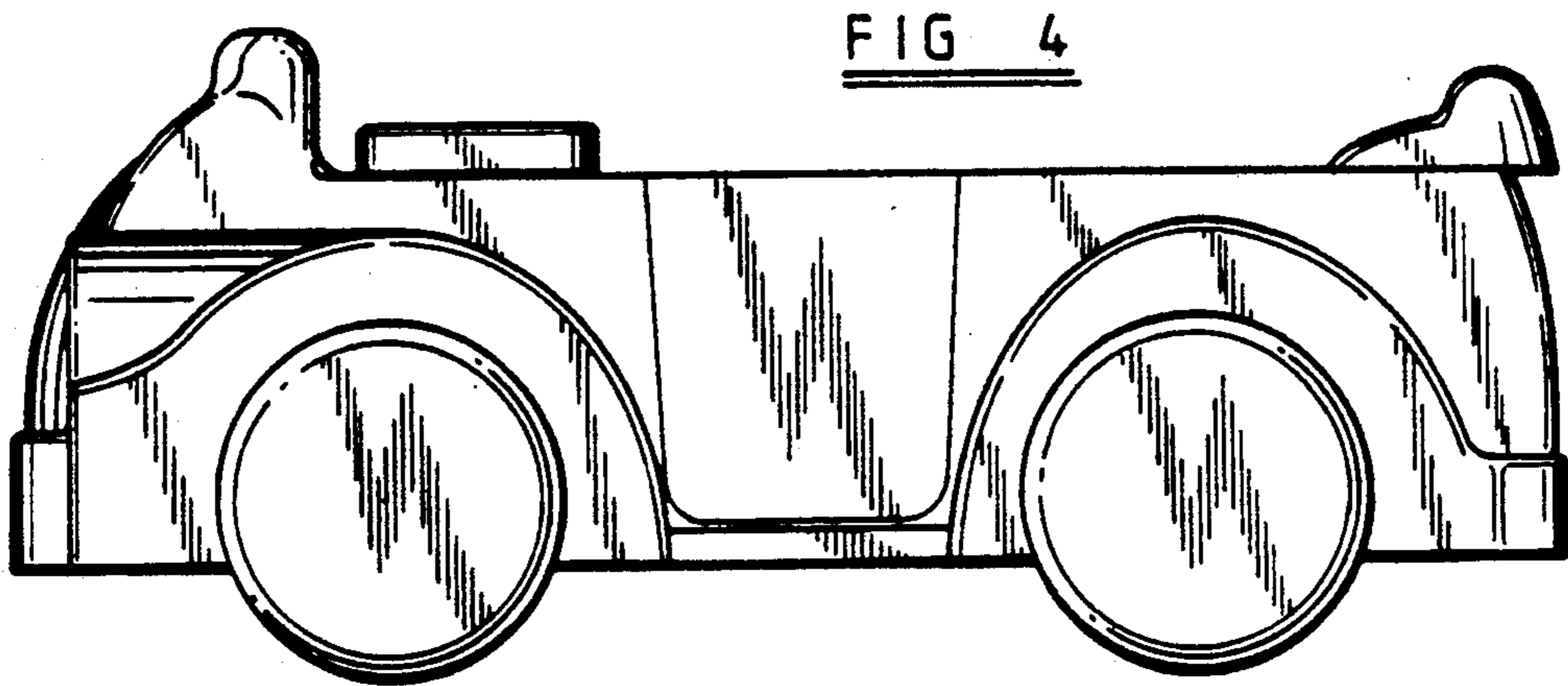


FIG 5

FIG 6

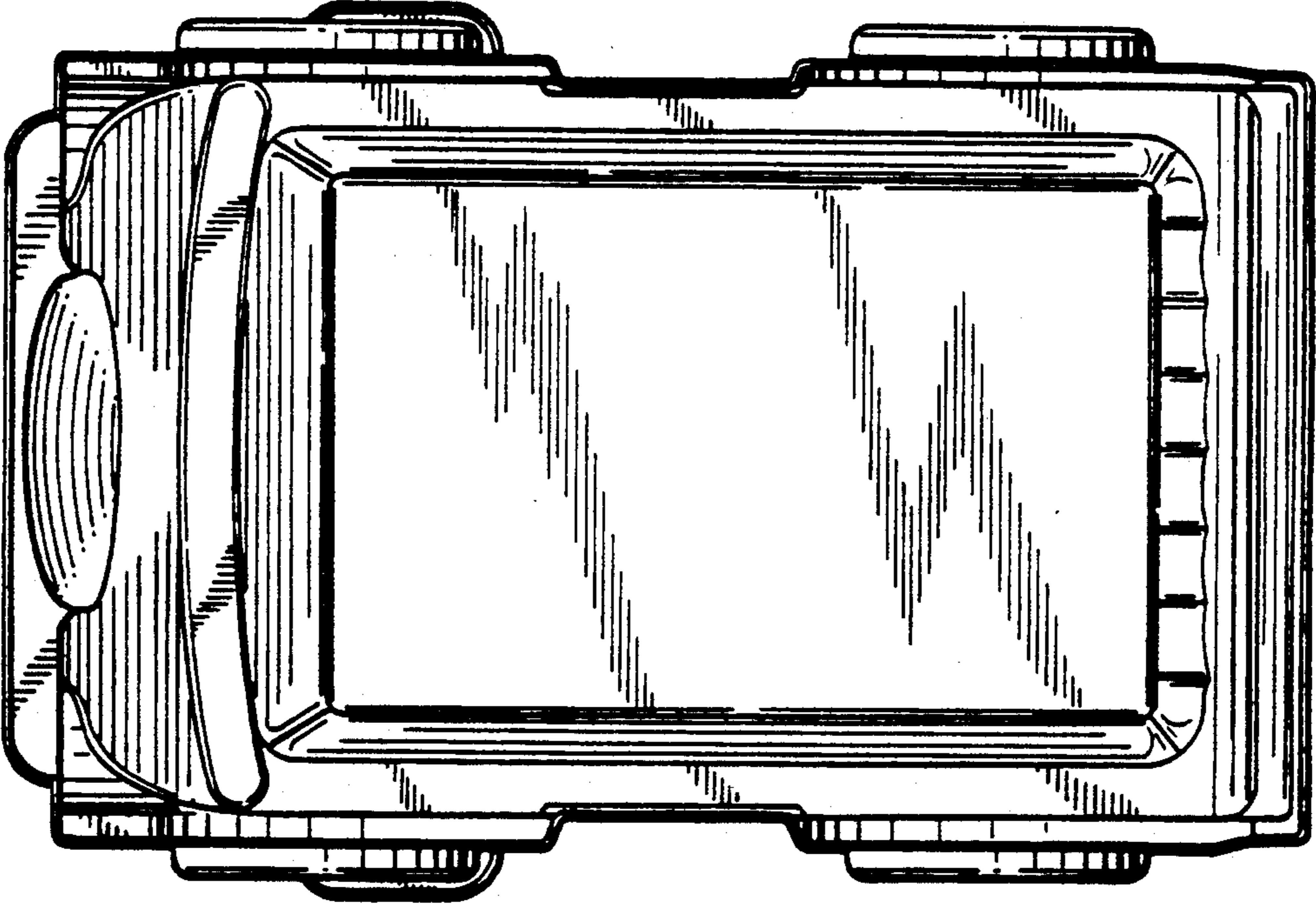


FIG 7

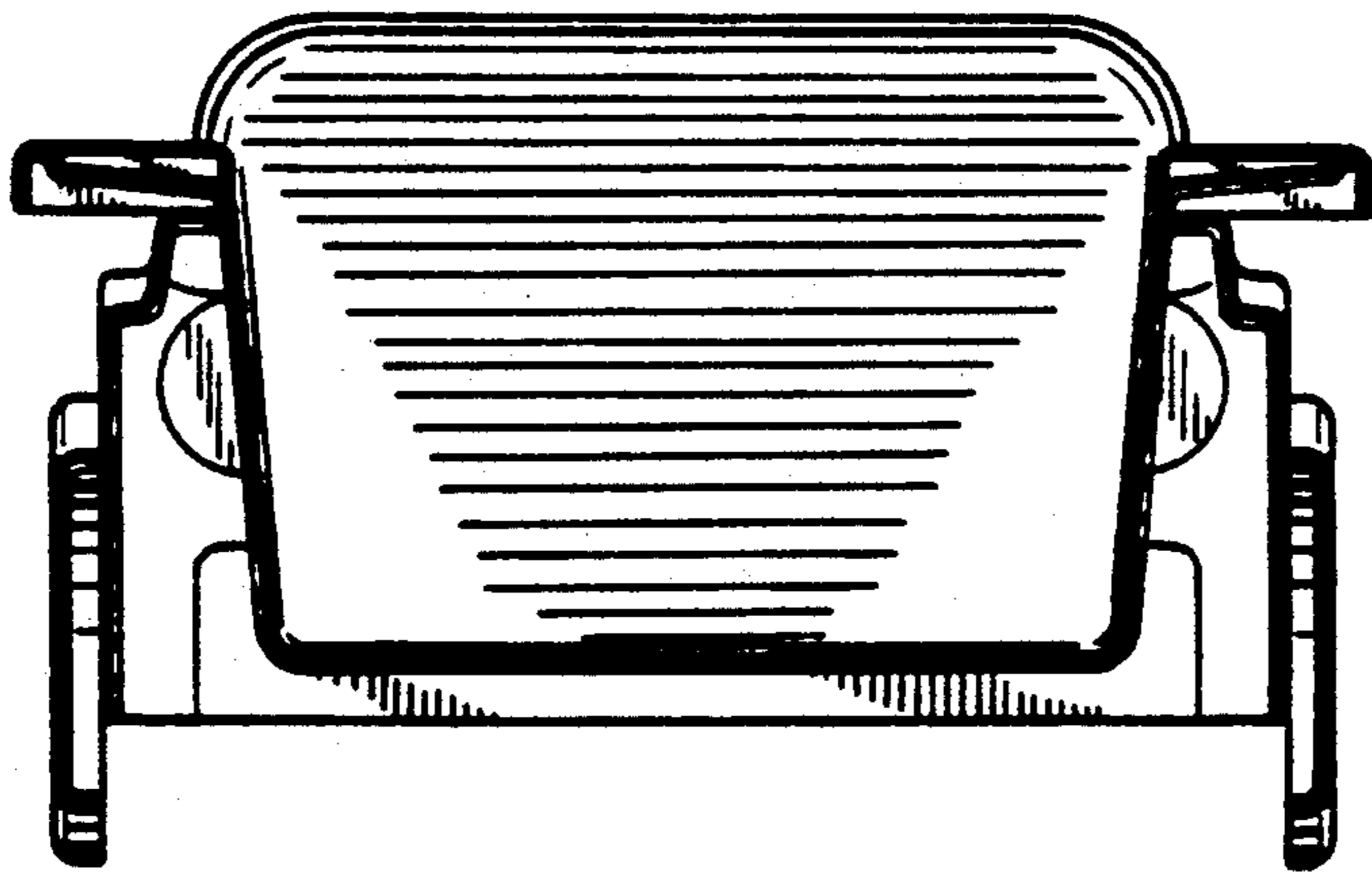
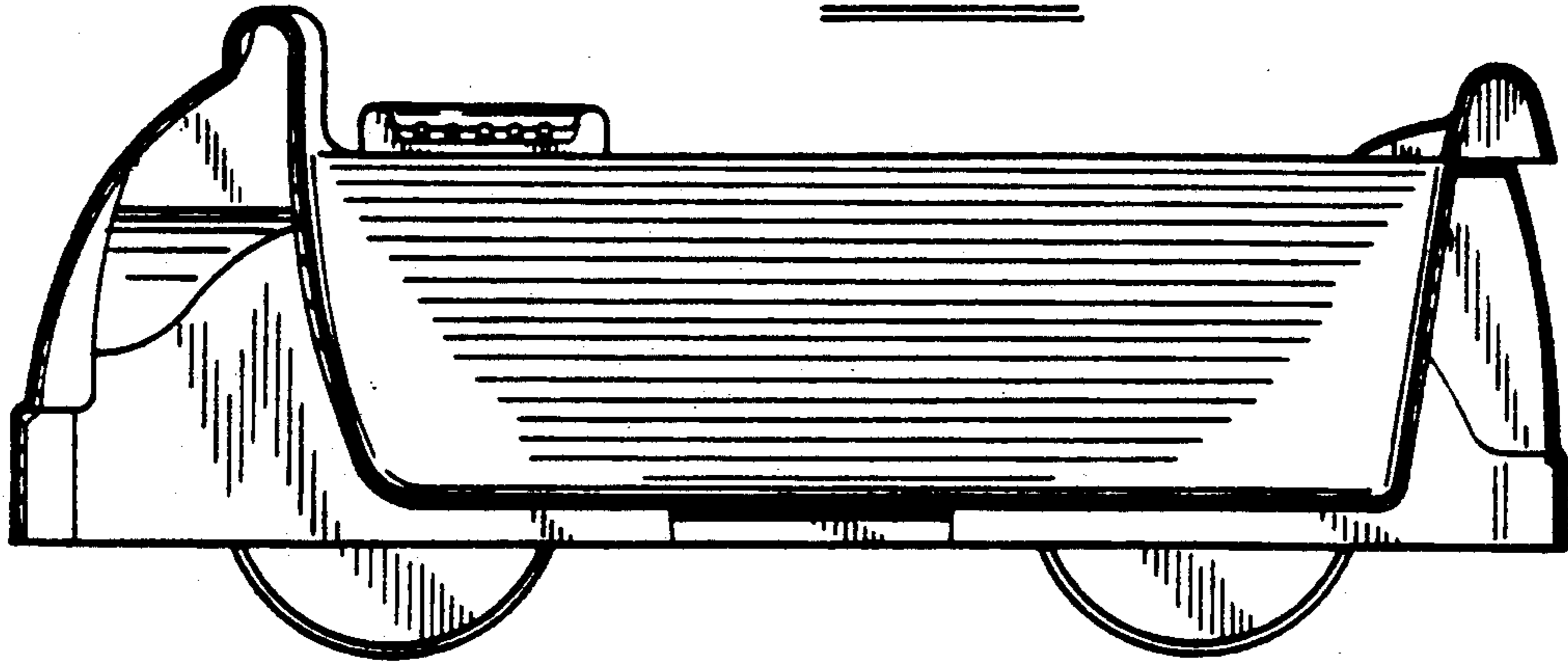


FIG 8