



US00D326310S

United States Patent [19]

Francoeur

[11] Patent Number: **Des. 326,310**

[45] Date of Patent: **** May 19, 1992**

[54] **DUAL-HEADED SHOWER**

[76] Inventor: **Sharon D. Francoeur**, 9 Prince St., Fairhaven, Mass. 02719

[**] Term: **14 Years**

[21] Appl. No.: **591,012**

[22] Filed: **Oct. 1, 1990**

[52] U.S. Cl. **D23/213**

[58] Field of Search **D23/213, 223-229; 239/276, 280-283, 288.5, 310, 443-449, 456-460, 525, 550-552, 556-559, 562-565, 567, 581.1, 581.2, 583; 4/191-192, 567-570, 599-603, 596, 615**

[56] **References Cited**

U.S. PATENT DOCUMENTS

Re. 13,911 5/1915 Kenney 4/601 X
120,555 10/1871 Venn 4/601

D. 316,891 5/1991 Lee D23/213
3,112,073 11/1963 Larson et al. 239/446
4,865,254 9/1989 Kragle 239/565 X
4,975,993 12/1990 Black et al. 239/281 X

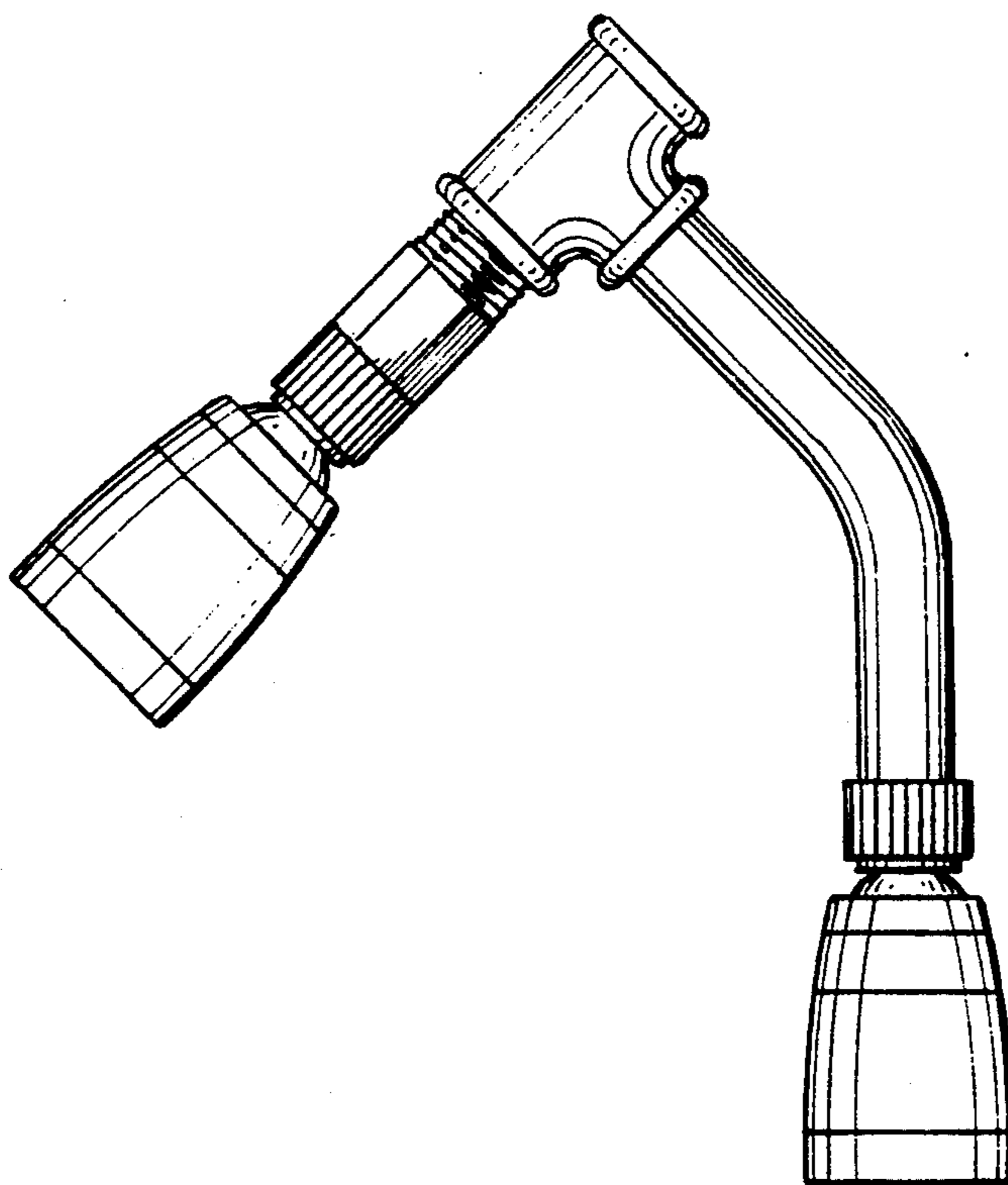
Primary Examiner—Susan J. Lucas
Assistant Examiner—M. H. Tung
Attorney, Agent, or Firm—Salter, Michaelson & Benson

[57] **CLAIM**

The ornamental design for a dual-headed shower, as shown and described.

DESCRIPTION

FIG. 1 is a side elevational view of a dual-headed shower showing my new design, the other side being a mirror image;
FIG. 2 is a rear elevational view thereof;
FIG. 3 is a front elevational view thereof;
FIG. 4 is a top plan view thereof; and,
FIG. 5 is a bottom plan view thereof.



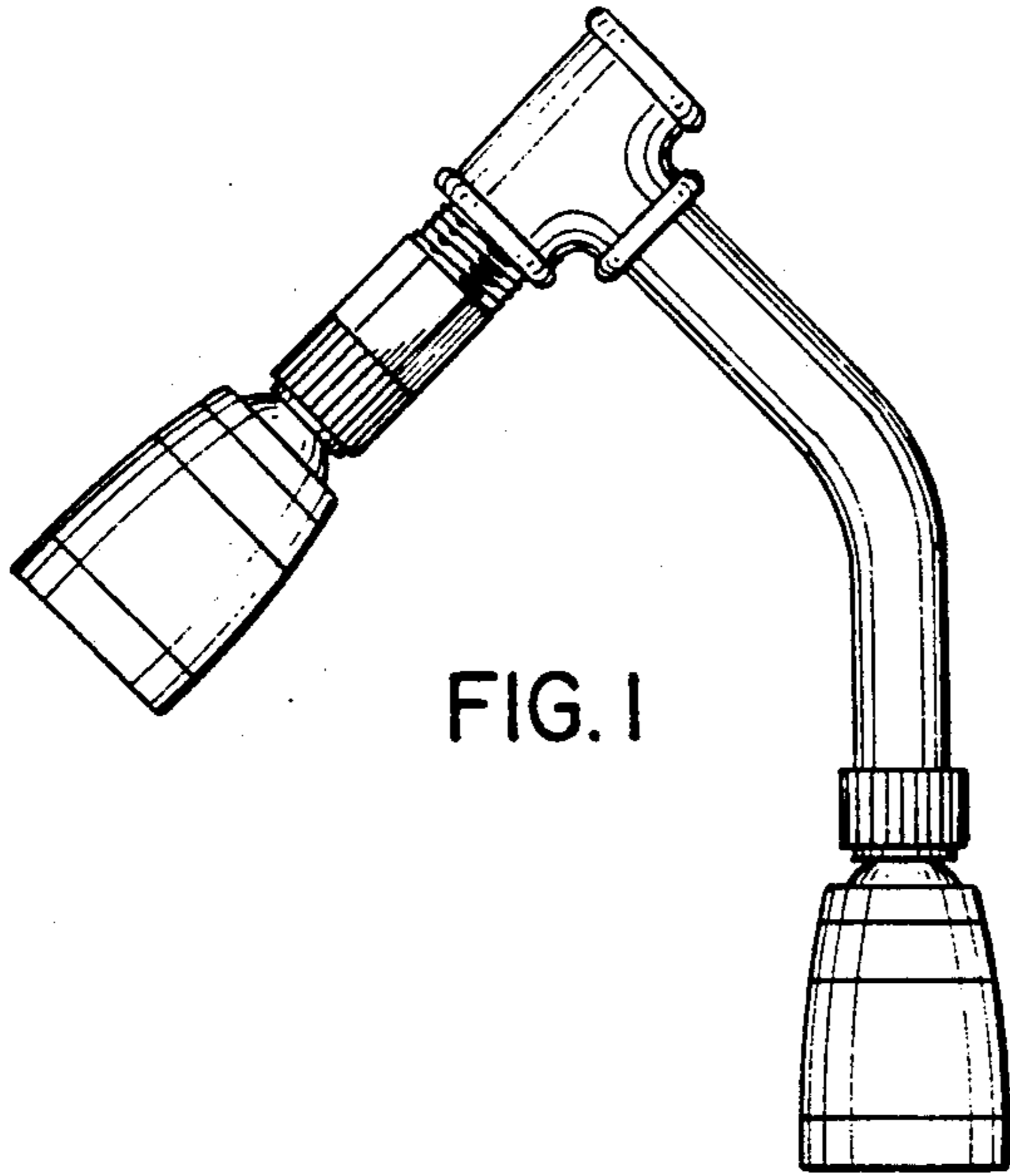


FIG. 1

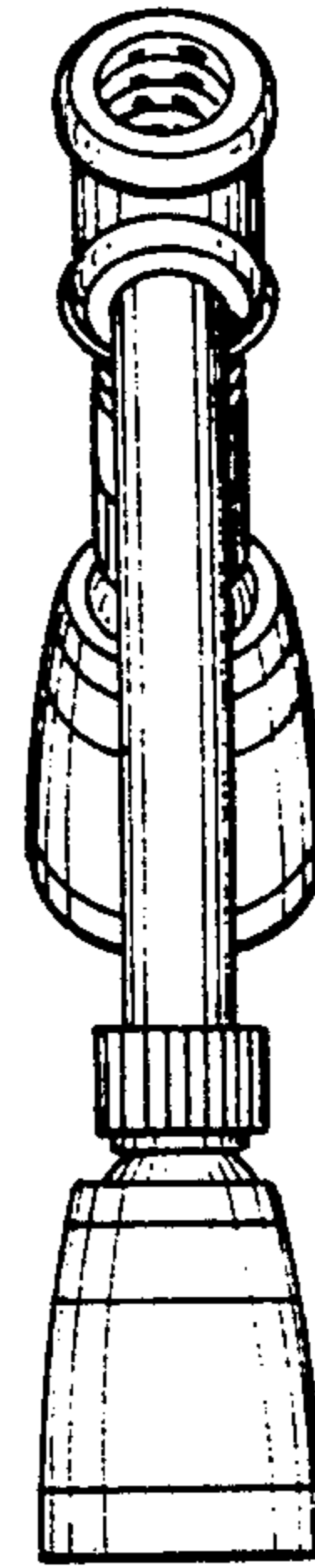


FIG. 2

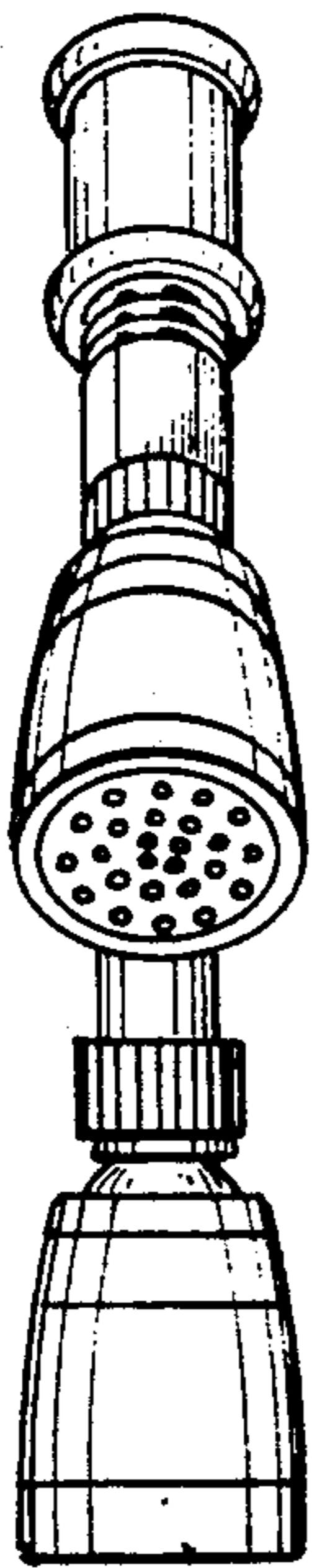


FIG. 3

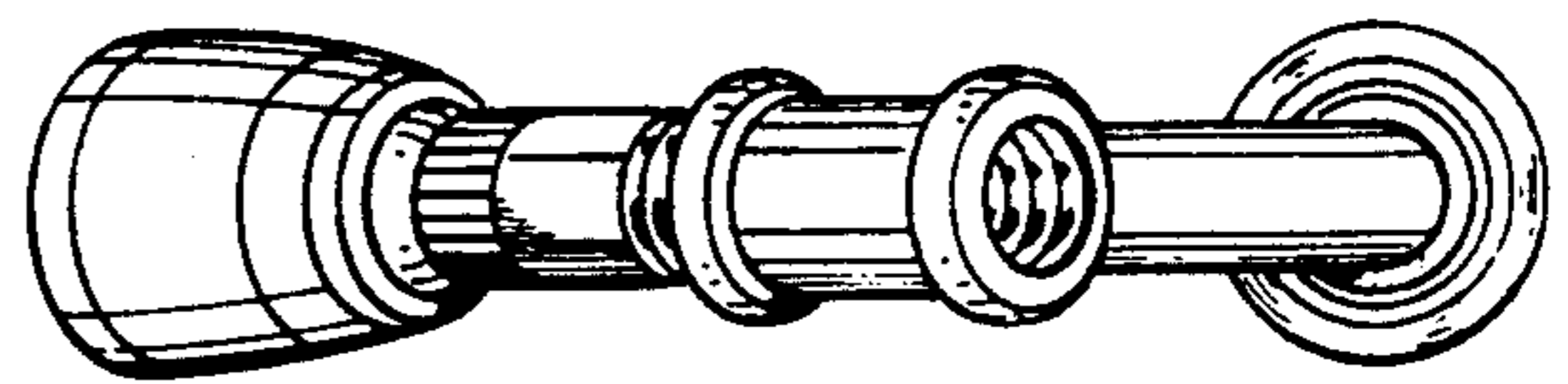


FIG. 4

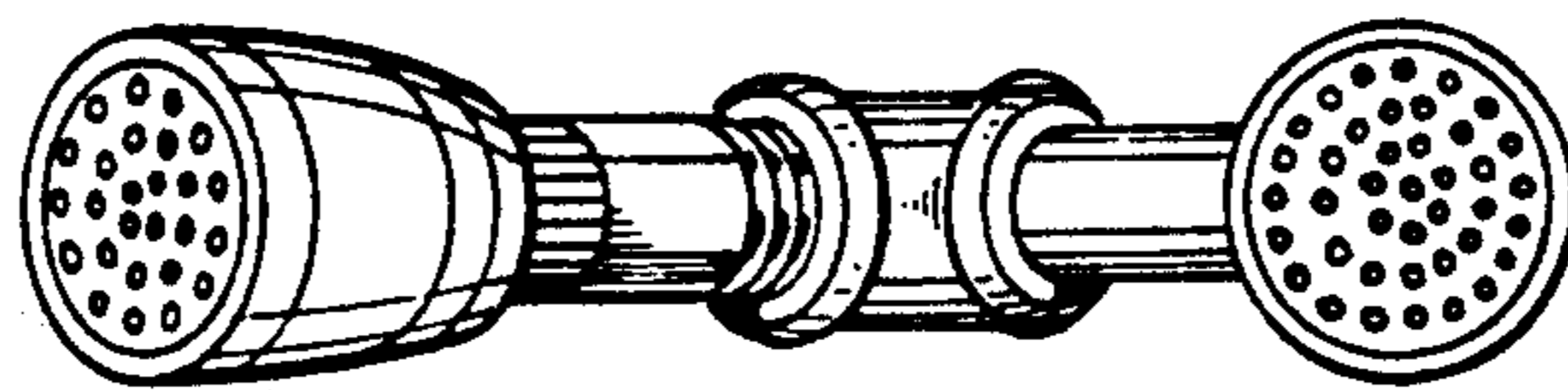


FIG. 5