



US00D326309S

United States Patent [19]

[11] Patent Number: **Des. 326,309**

Kendrick

[45] Date of Patent: **** May 19, 1992**

[54] **CHEMICAL DISPENSER**

[76] Inventor: **Virgil P. Kendrick**, 10822 E. Revels Rd., Howey-in-the-Hills, Fla. 32727

[**] Term: **14 Years**

[21] Appl. No.: **402,245**

[22] Filed: **Sep. 5, 1989**

[52] U.S. Cl. **D23/208; D23/213**

[58] Field of Search **D23/200, 207-210, D23/213; 239/154, 310, 317-318, 375, 526, 583; 222/310, 54, 56, 67; 422/264 B, 265; 210/169, 242.1, 416.2, 198.1, 193**

[56] **References Cited**

U.S. PATENT DOCUMENTS

- D. 274,834 7/1984 May D23/208
- D. 288,226 2/1987 Sangster et al. D23/208
- D. 309,653 7/1990 Kendrick D23/213

- 4,610,783 9/1986 Hudson 210/169
- 4,928,813 5/1990 Casberg 422/265 X

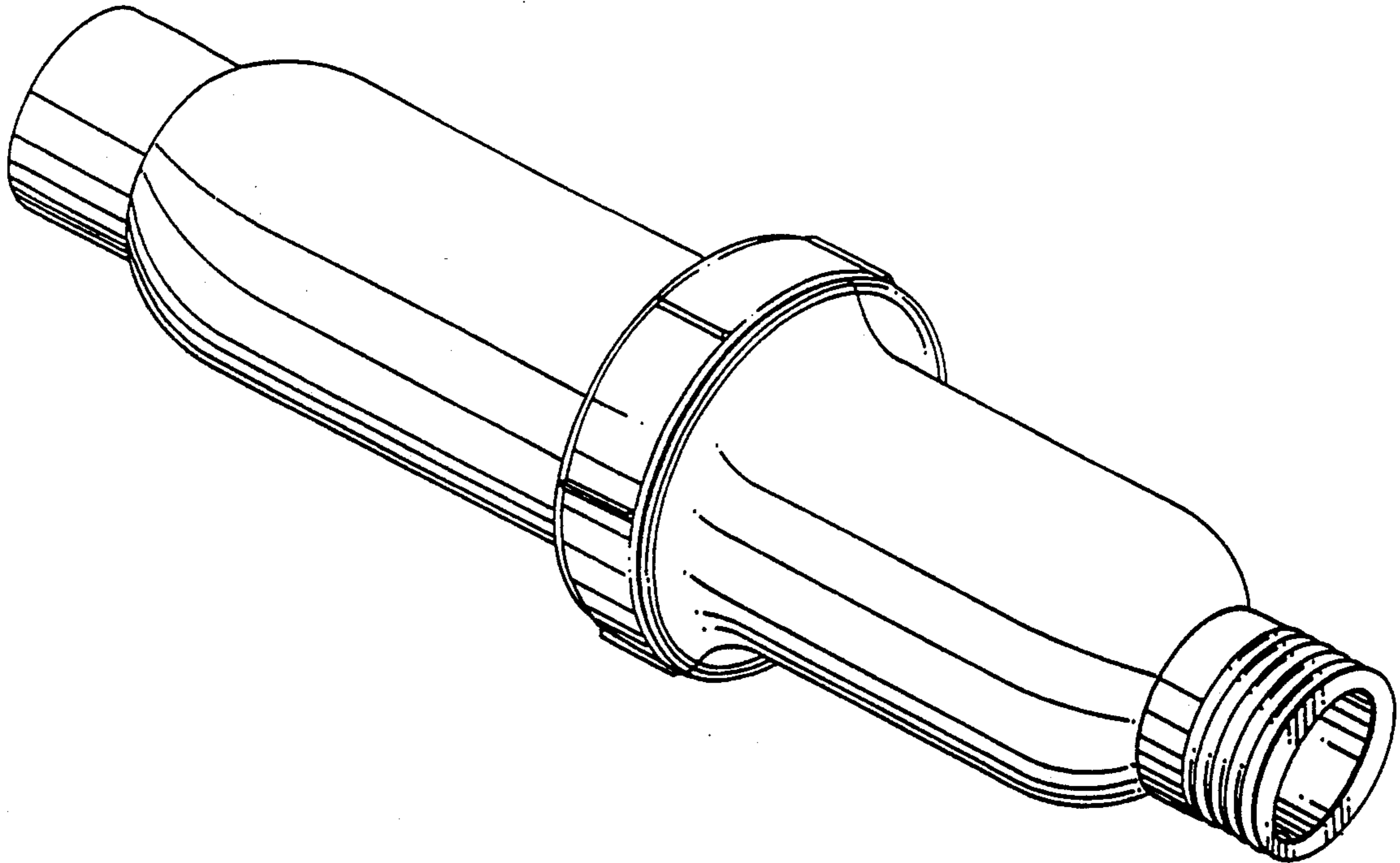
Primary Examiner—Susan J. Lucas
Assistant Examiner—M. H. Tung
Attorney, Agent, or Firm—William M. Hobby, III

[57] **CLAIM**

The ornamental design for a chemical dispenser, as shown and described.

DESCRIPTION

FIG. 1 is a perspective view of a chemical dispenser showing my new design;
FIG. 2 is a front elevational view thereof, on an enlarged scale;
FIG. 3 is a rear elevational view thereof, on an enlarged scale; and,
FIG. 4 is a side elevational view thereof, the opposite side, top plan and bottom plan views being identical.



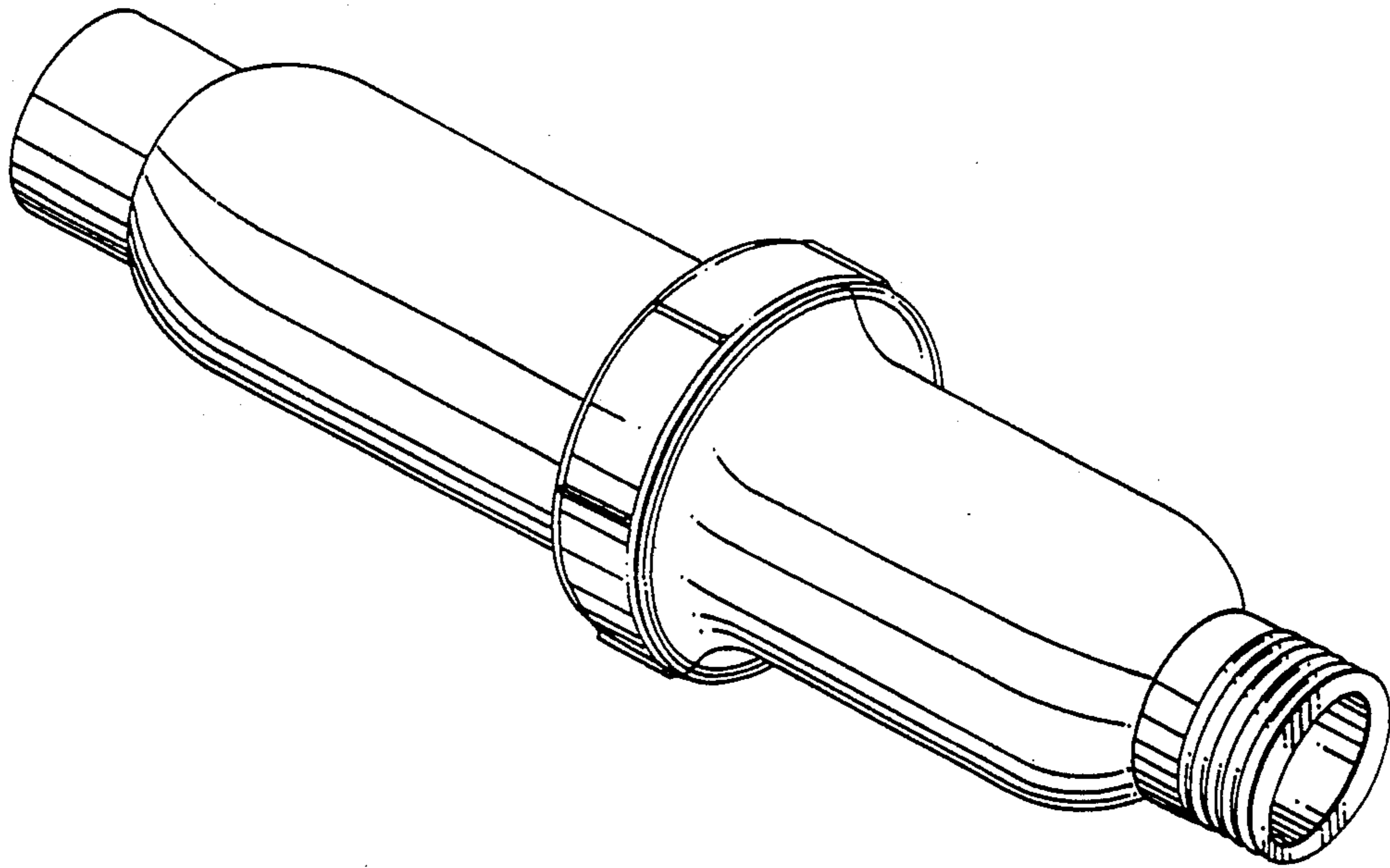


FIG. 1

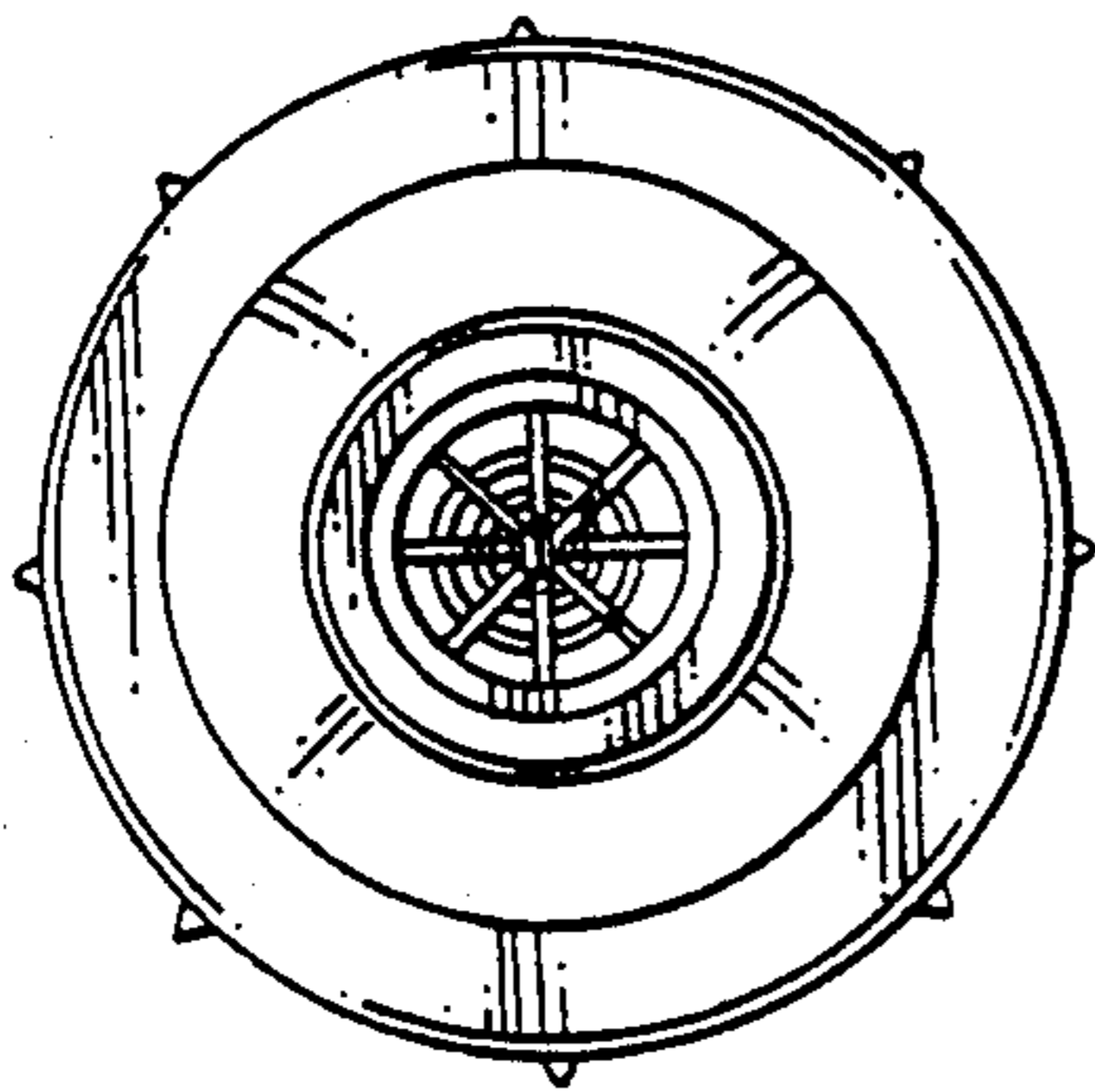


FIG. 2

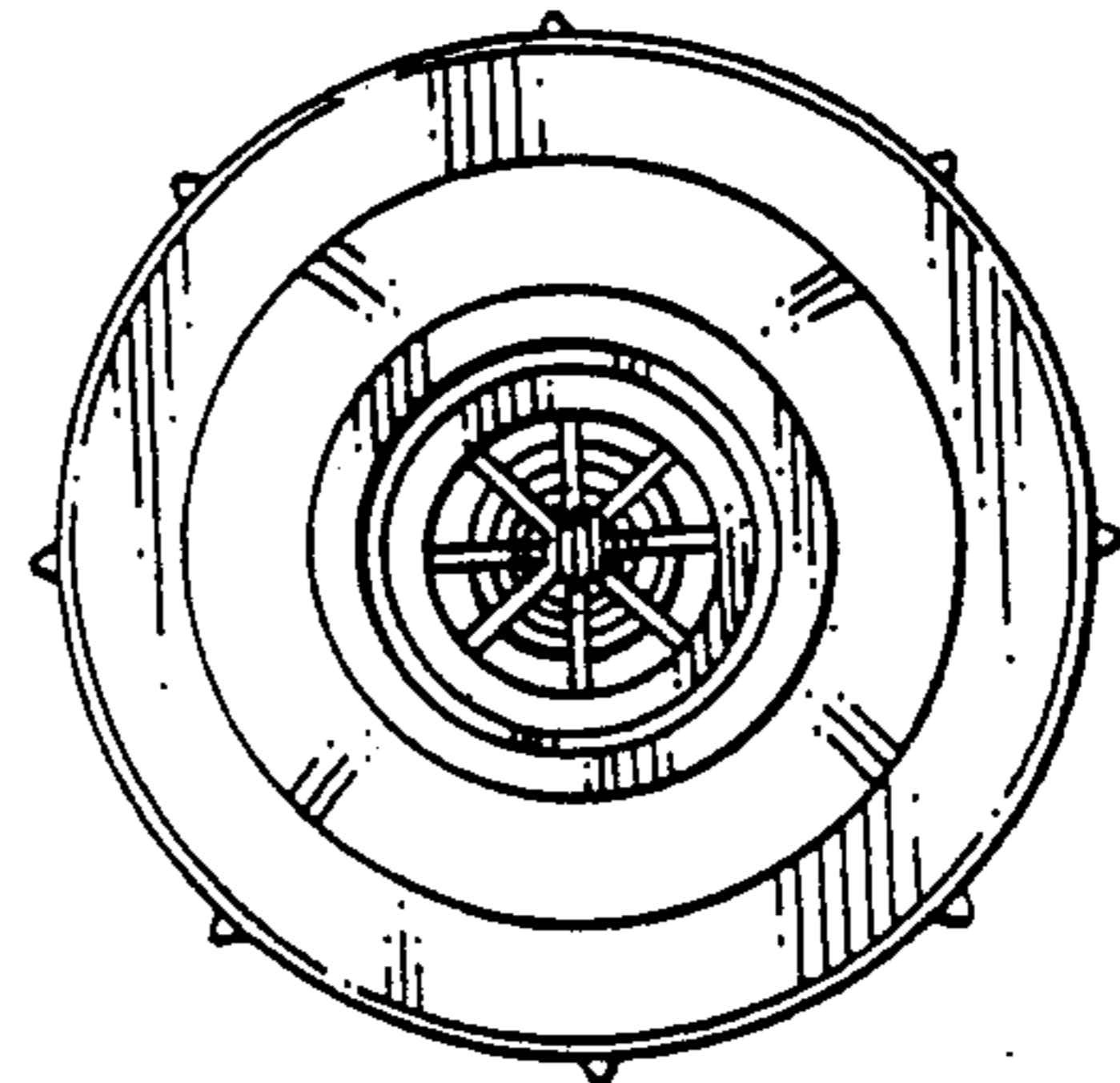


FIG. 3

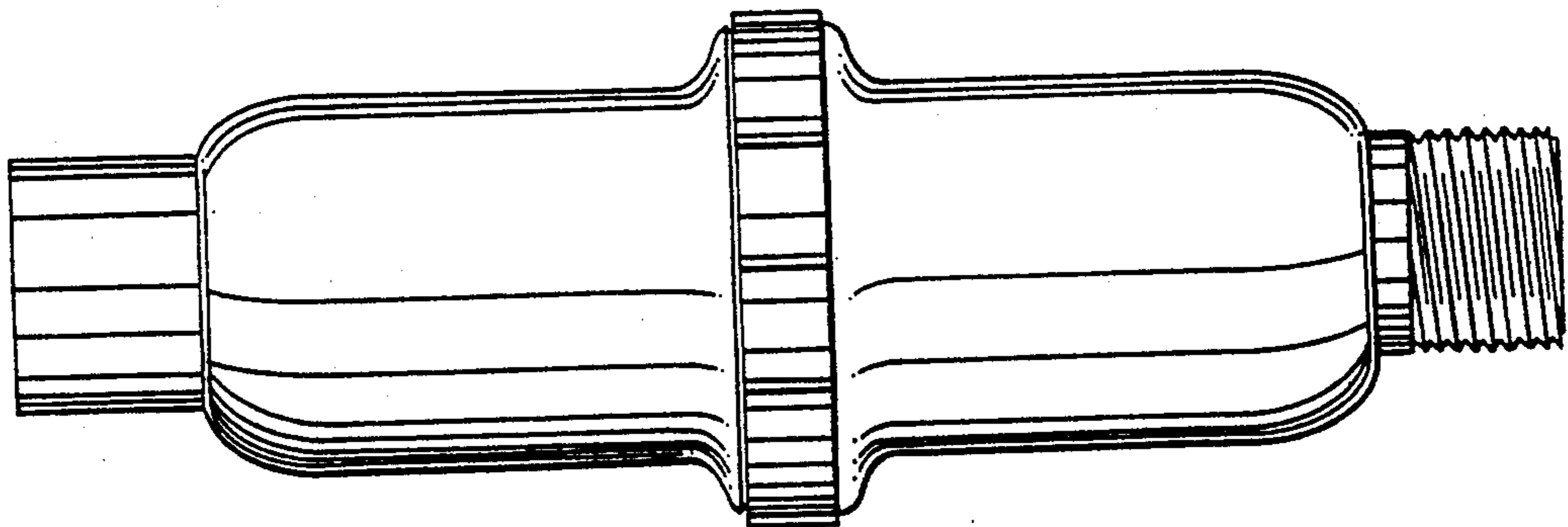


FIG. 4