



US00D326308S

United States Patent [19]

Sakurai

[11] Patent Number: **Des. 326,308**

[45] Date of Patent: **** May 19, 1992**

[54] TOP PORTION OF FISHING REEL

[75] Inventor: **Tomoharu Sakurai, Sakai, Japan**

[73] Assignee: **Shimano Inc., Osaka, Japan**

[*] Notice: The portion of the term of this patent subsequent to May 19, 2006 has been disclaimed.

[**] Term: **14 Years**

[21] Appl. No.: **263,121**

[22] Filed: **Oct. 20, 1988**

[30] **Foreign Application Priority Data**

Apr. 22, 1988 [JP]	Japan	63-16493
[52] U.S. Cl.		D22/140
[58] Field of Search		D22/140, 141; 242/257-262, 279

[56] **References Cited**

U.S. PATENT DOCUMENTS

D. 290,635	6/1987	Nakamura	D22/140
D. 300,166	3/1989	Myojo	D22/140
4,750,684	6/1988	Morimoto	242/279 X

OTHER PUBLICATIONS

Bass Pro Shops 1987 Catalog, ©1987, pp. 42, 43, Bantam Speedmaster, Magnumlite & Black Magnum Reels.

Primary Examiner—A. Hugo Word
Assistant Examiner—Doris V. Coles
Attorney, Agent, or Firm—Dickstein, Shapiro & Morin

[57] **CLAIM**

The ornamental design for a top portion of fishing reel, as shown and described.

DESCRIPTION

FIG. 1 is a rear, left side and top perspective view of a top portion of fishing reel, showing my new design; and, FIG. 2 is a front, left side and top perspective view thereof.

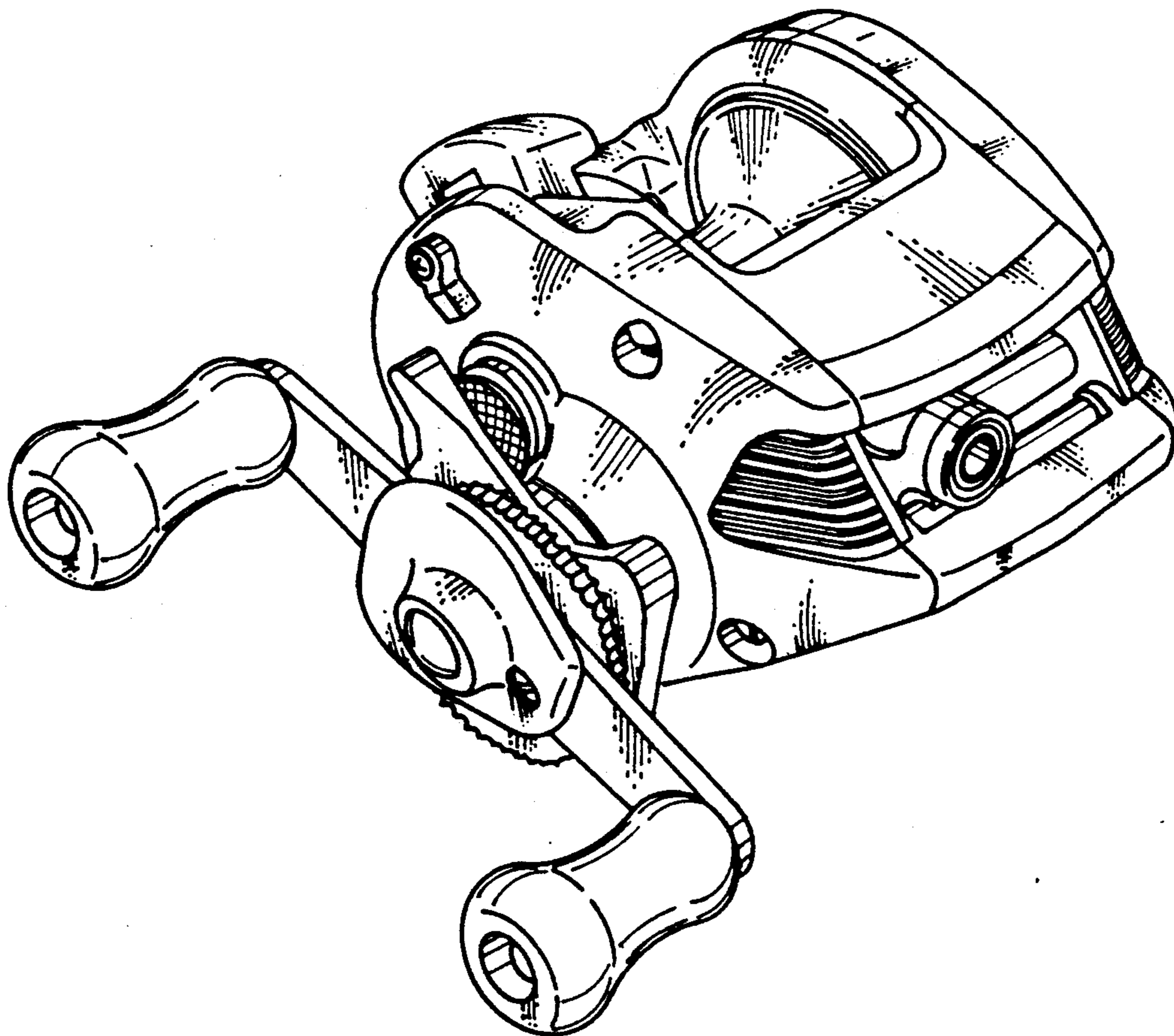


FIG. 1

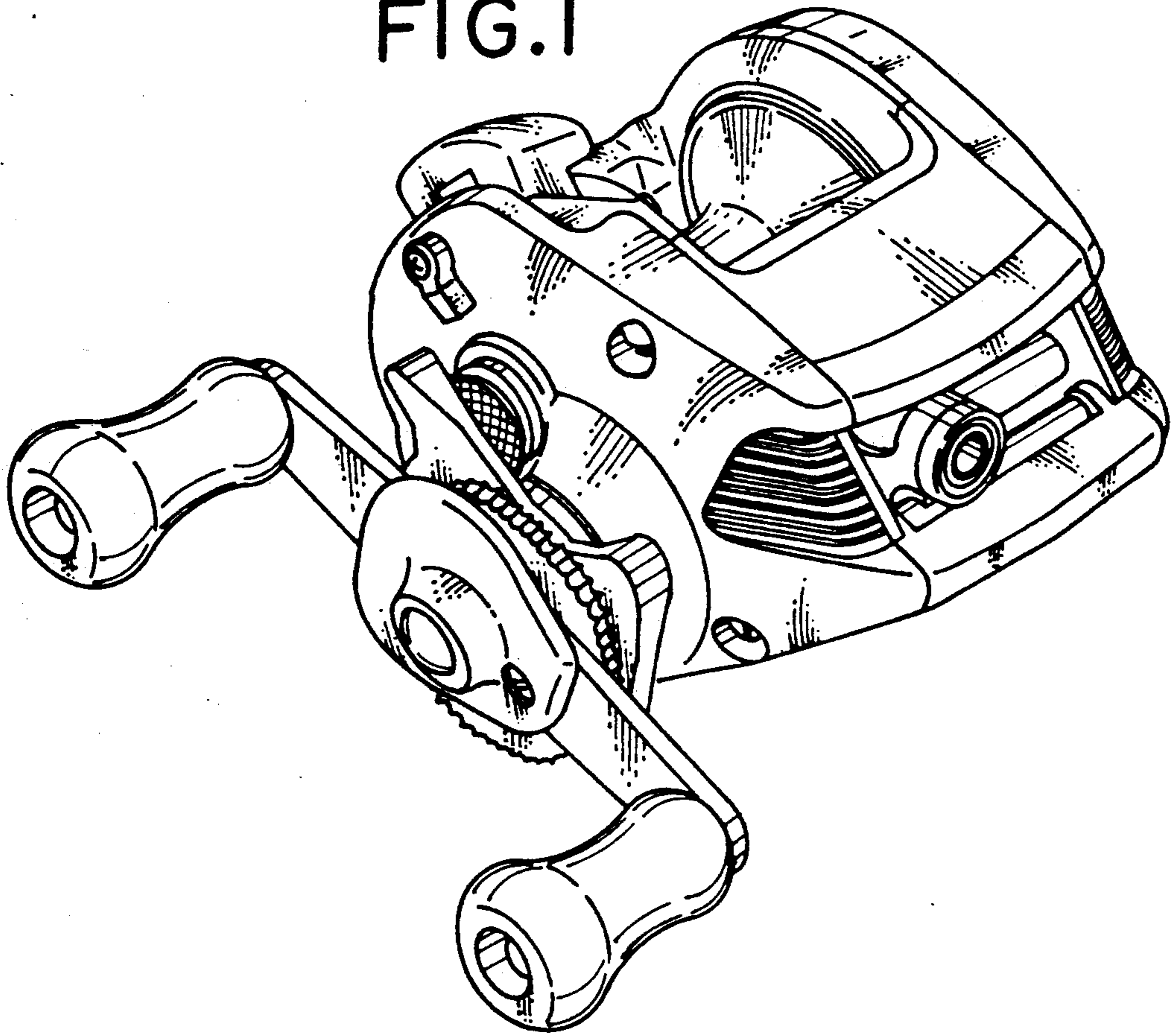


FIG. 2

