



US00D326304S

United States Patent [19]

[11] Patent Number: **Des. 326,304**

Brown

[45] Date of Patent: **** May 19, 1992**

[54] **HOLDER FOR TENNIS BALLS**

[75] Inventor: **Larry E. Brown, Hurricane, Utah**

[73] Assignee: **HIP Industries, Inc., Cedar City, Utah**

[**] Term: **14 Years**

[21] Appl. No.: **380,654**

[22] Filed: **Jul. 17, 1989**

[52] U.S. Cl. **D21/223; D3/104**

[58] Field of Search **D21/234, 212, 223; D3/104; 224/918, 919; 273/29 R, 32 R, 32 D, 61 R**

4,042,156 8/1977 Knight D3/104 X
4,062,482 12/1977 Szalony 224/919 X

Primary Examiner—Bernard Ansher
Assistant Examiner—Prabhakar Deshmukh
Attorney, Agent, or Firm—LaValle D. Ptak

[57] **CLAIM**

The ornamental design for a holder for tennis balls, as shown and described.

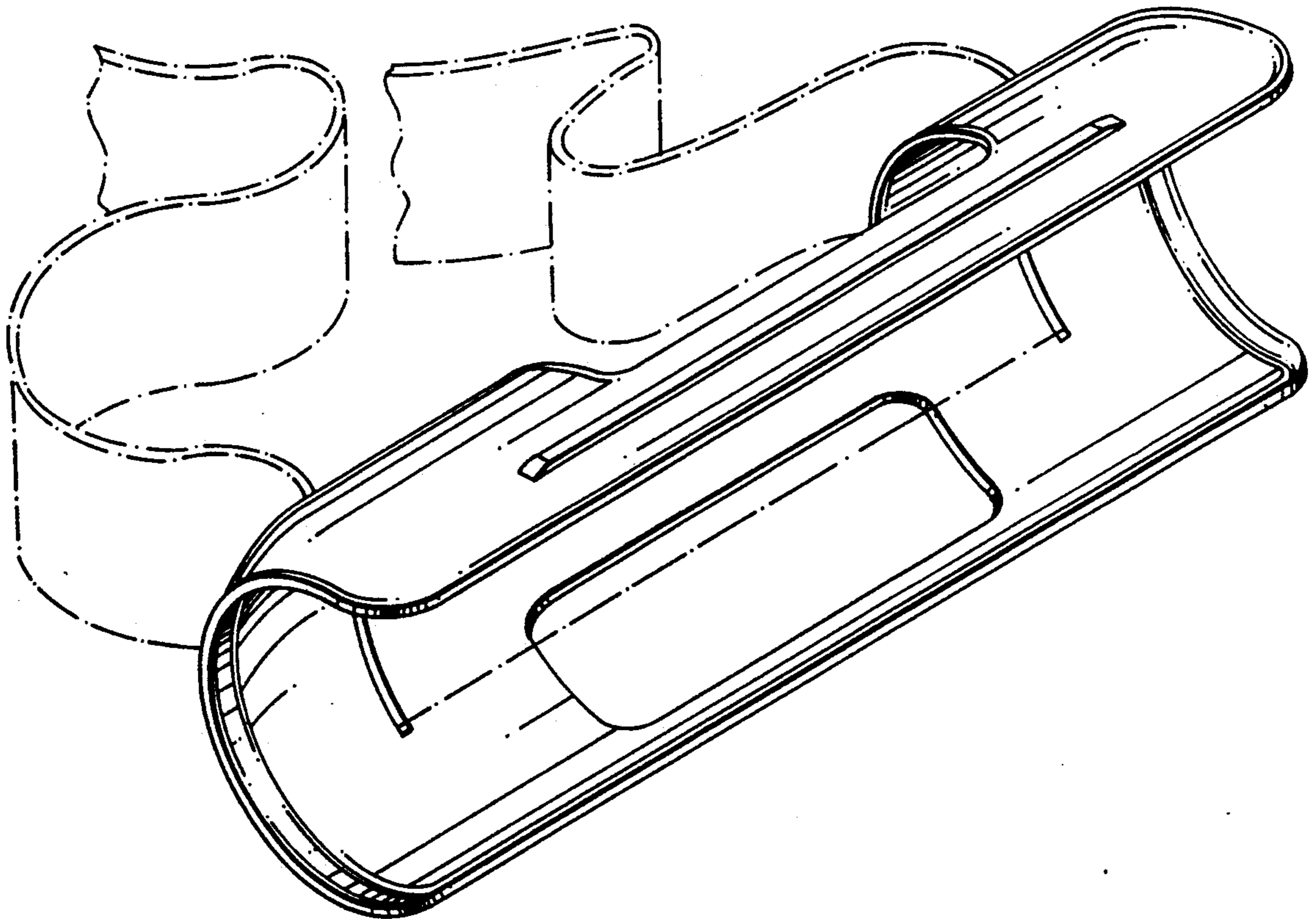
DESCRIPTION

FIG. 1 is a perspective view of a holder for tennis balls showing my new design;
FIG. 2 is a front elevation thereof;
FIG. 3 is a rear elevation thereof;
FIG. 4 is a top plan view thereof;
FIG. 5 is a bottom plan view thereof; and,
FIG. 6 is a left side elevation thereof; the right side elevation being a mirror image thereof.
The broken line showing of a strap in FIG. 1 is for illustrative purpose and forms no part of the claim.

[56] **References Cited**

U.S. PATENT DOCUMENTS

D. 314,222	1/1991	Viguers et al.	D21/234
1,868,261	7/1932	Spencer	D21/234 X
3,233,802	2/1966	Ludwick	224/918 X
3,806,123	4/1974	Fennell	273/DIG. 19 X



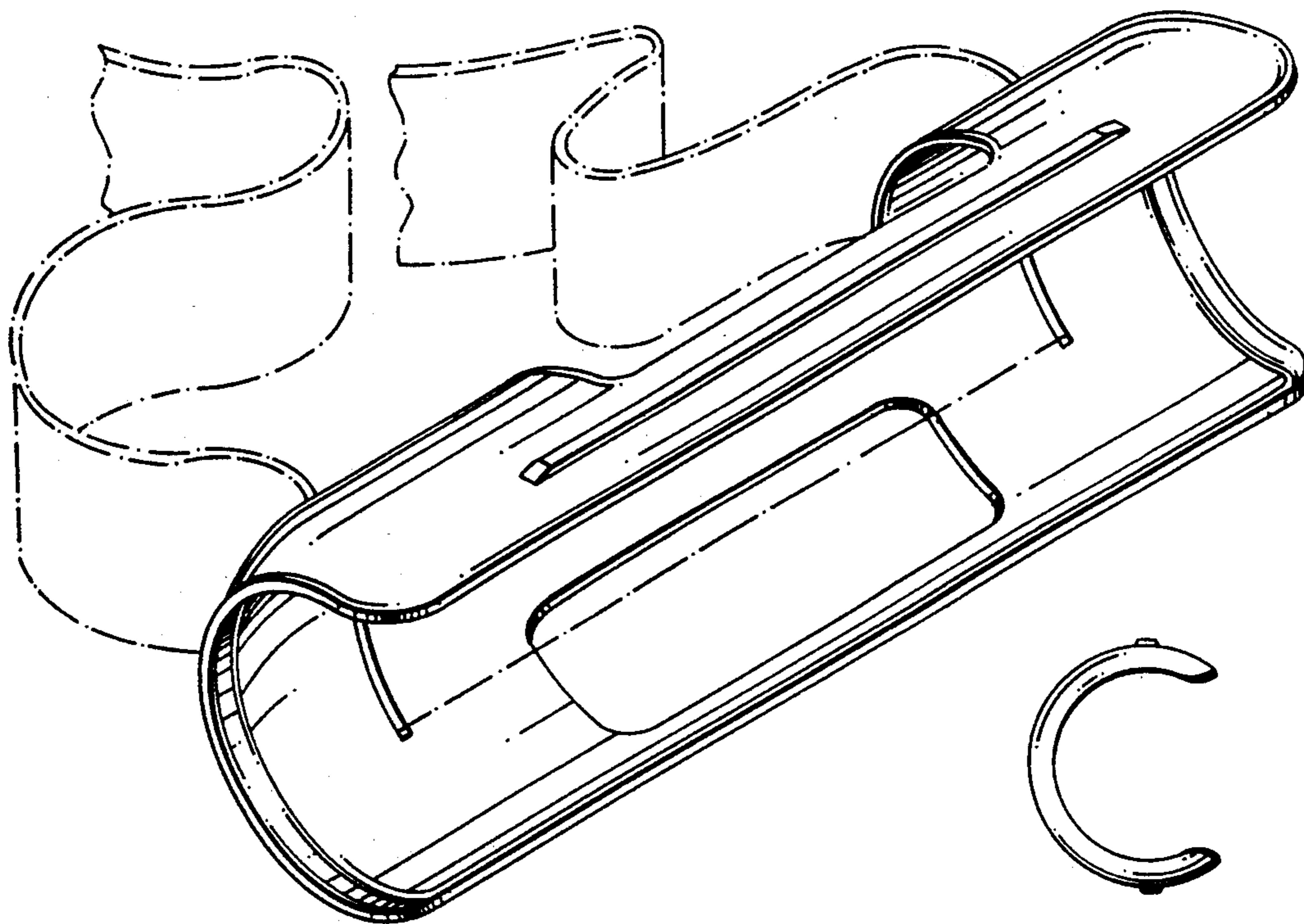


FIG. 1

FIG. 6

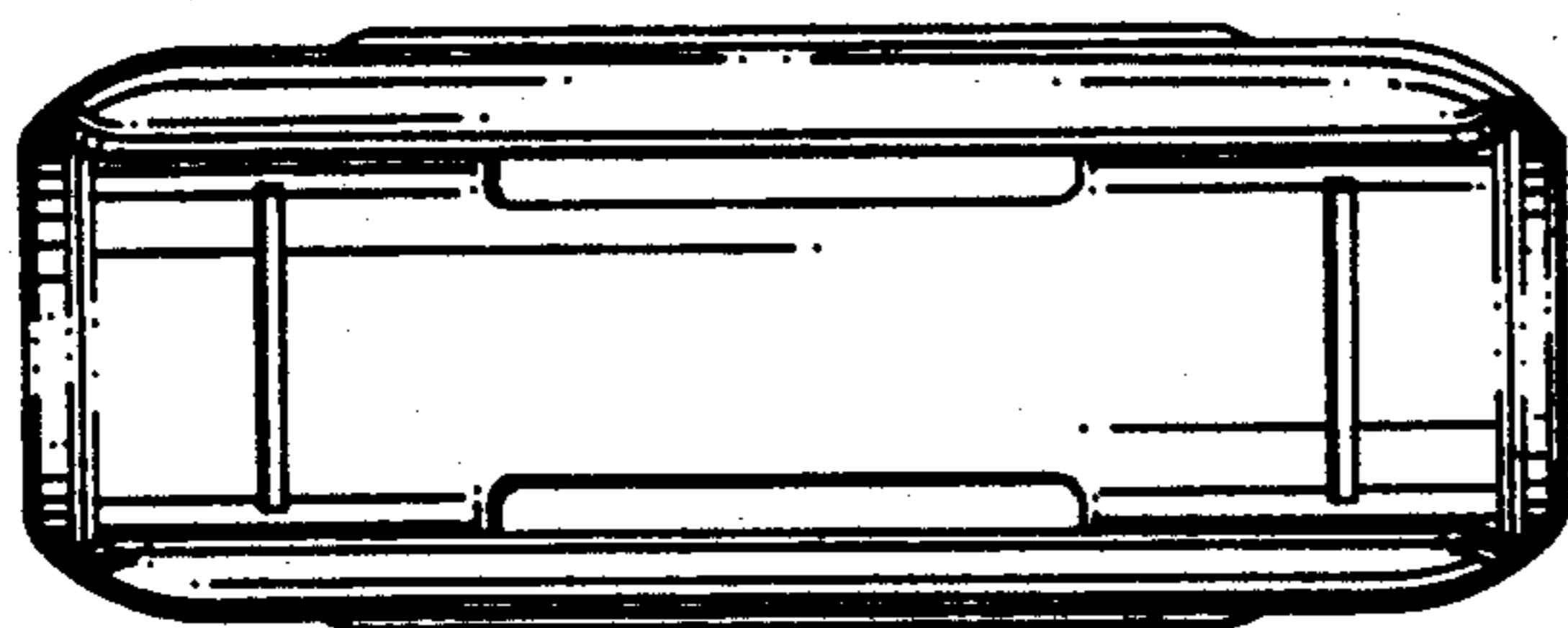


FIG. 2

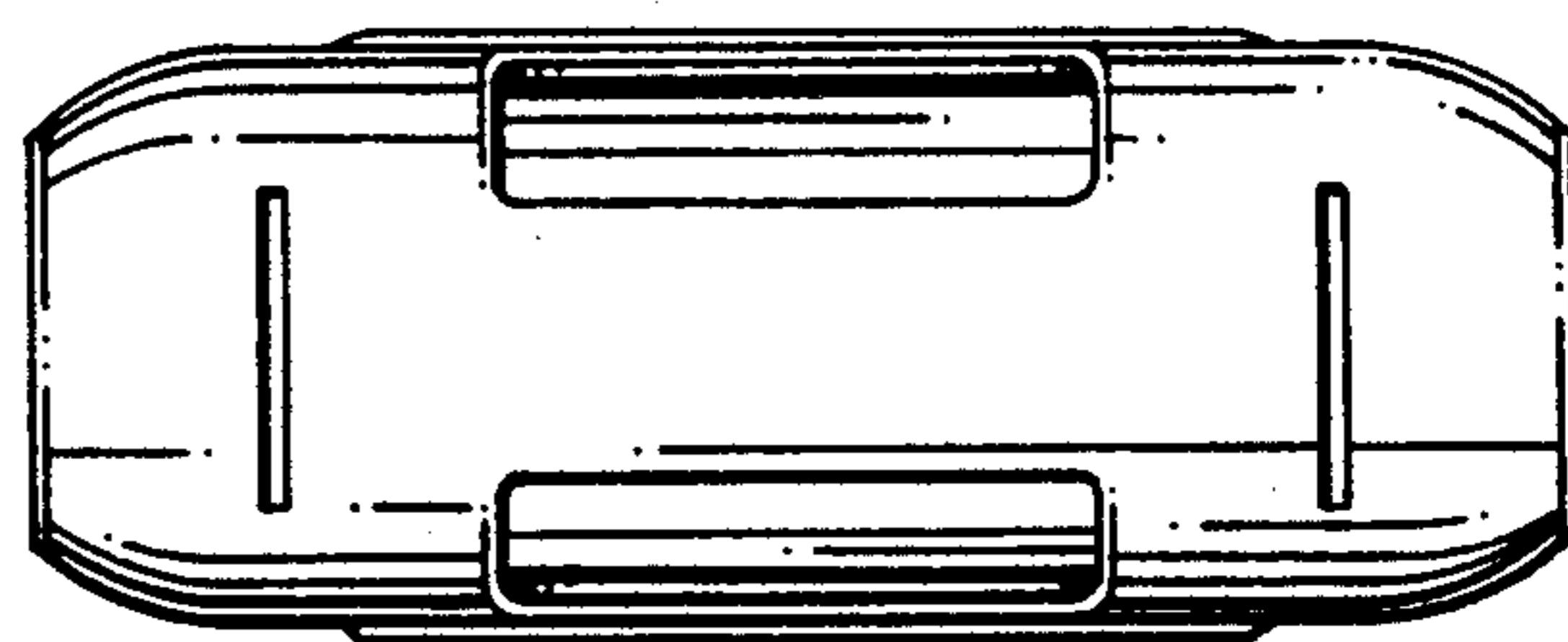


FIG. 3

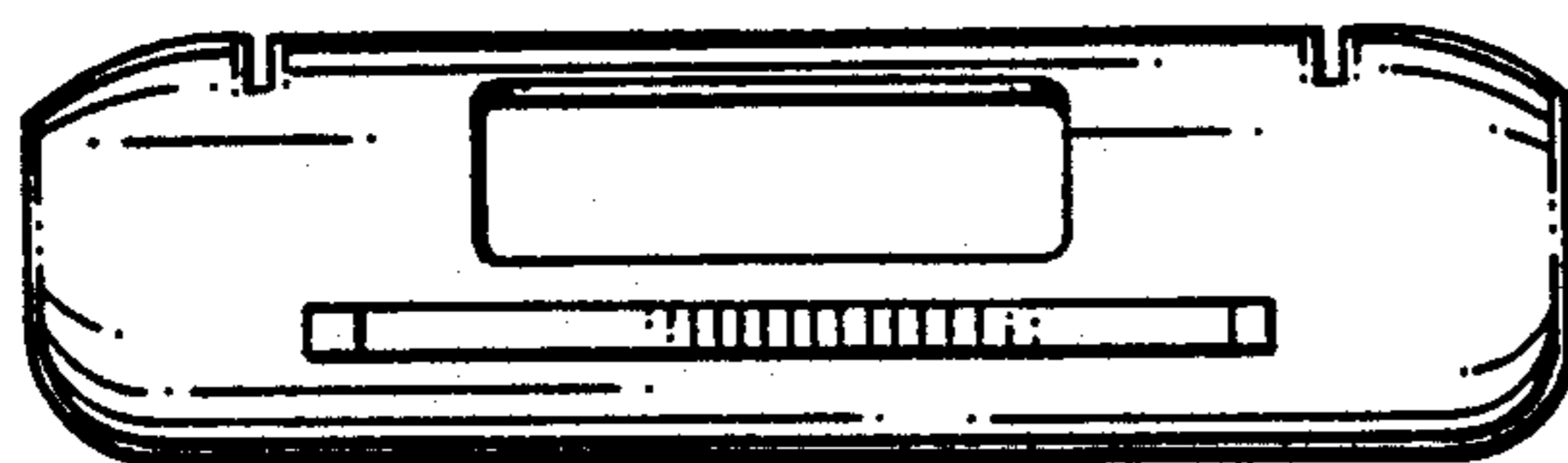


FIG. 4

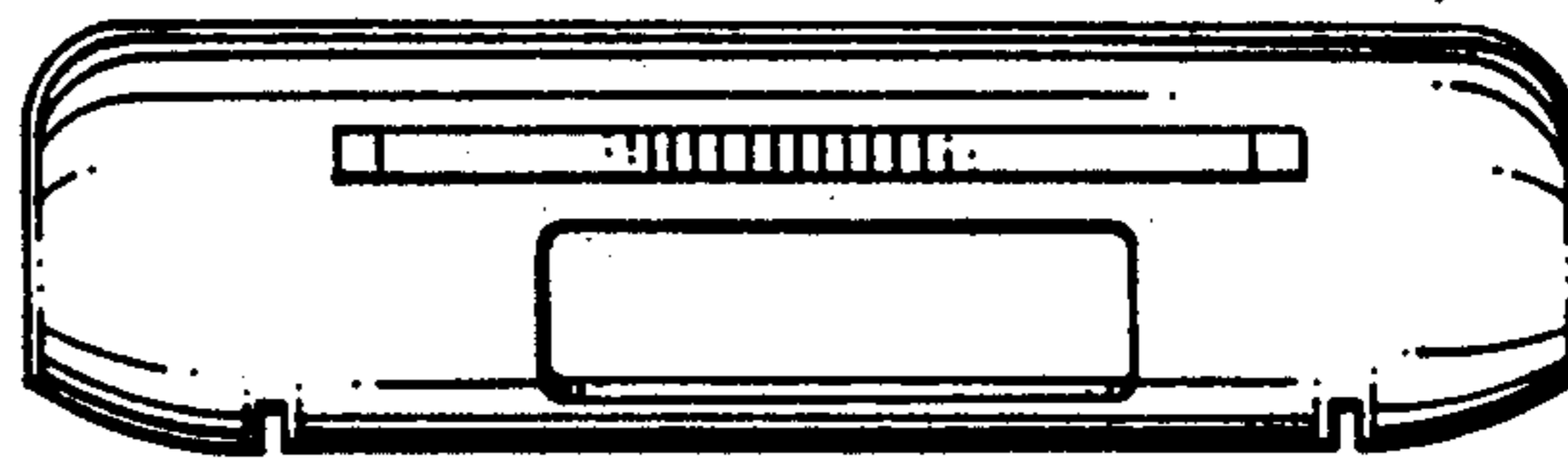


FIG. 5