



US00D326300S

United States Patent [19]

[11] Patent Number: **Des. 326,300**

King et al.

[45] Date of Patent: **** May 19, 1992**

[54] **DUMBBELL**

D. 297,962	10/1988	Wu	D21/197
881,438	3/1908	Nohl	272/122
4,720,098	1/1988	Gordon	272/122

[75] Inventors: **Jon E. King; Bradley G. Stack**, both of St. Louis, Mo.

Primary Examiner—Charles A. Rademaker
Attorney, Agent, or Firm—Polster, Lieder, Woodruff & Lucchesi

[73] Assignee: **Sinclair & Rush, Inc.**, St. Louis, Mo.

[**] Term: **14 Years**

[57] **CLAIM**

[21] Appl. No.: **660,582**

The ornamental design for dumbbell, as shown and described.

[22] Filed: **Feb. 25, 1991**

[52] U.S. Cl. **D21/197**

[58] Field of Search **D21/191-199;**
272/67, 68, 93, 122, 123, 124

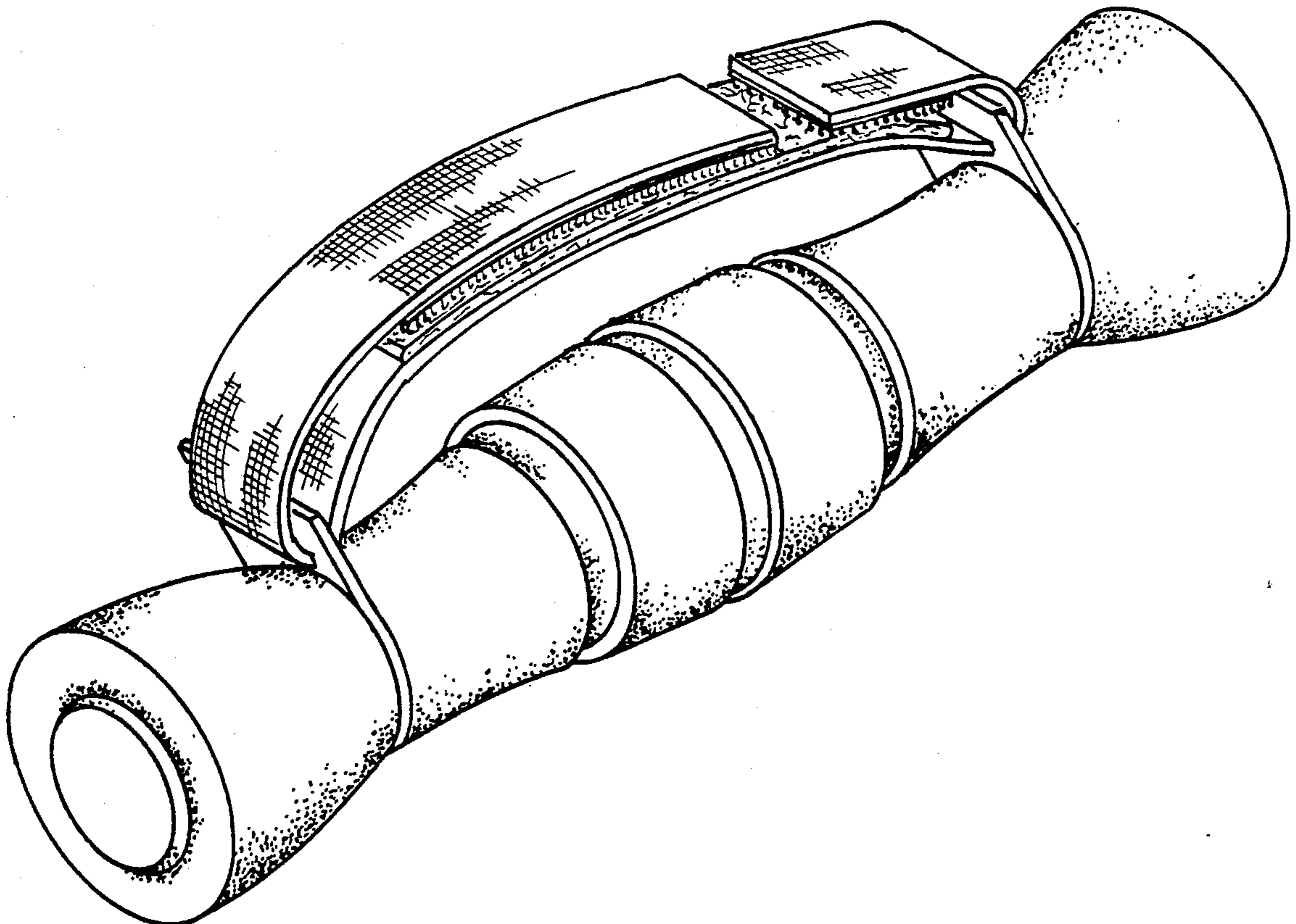
DESCRIPTION

[56] **References Cited**

U.S. PATENT DOCUMENTS

D. 248,493	7/1978	Moncrief	D21/198
D. 280,337	8/1985	Hood	D21/198
D. 285,329	8/1986	Boettger	D21/198

FIG. 1 is a perspective view of a dumbbell showing our new design;
FIG. 2 is a top plan view thereof;
FIG. 3 is a left end elevational view thereof;
FIG. 4 is a right end elevational view thereof;
FIG. 5 is a bottom plan view thereof; and,
FIG. 6 is a front elevational view thereof.



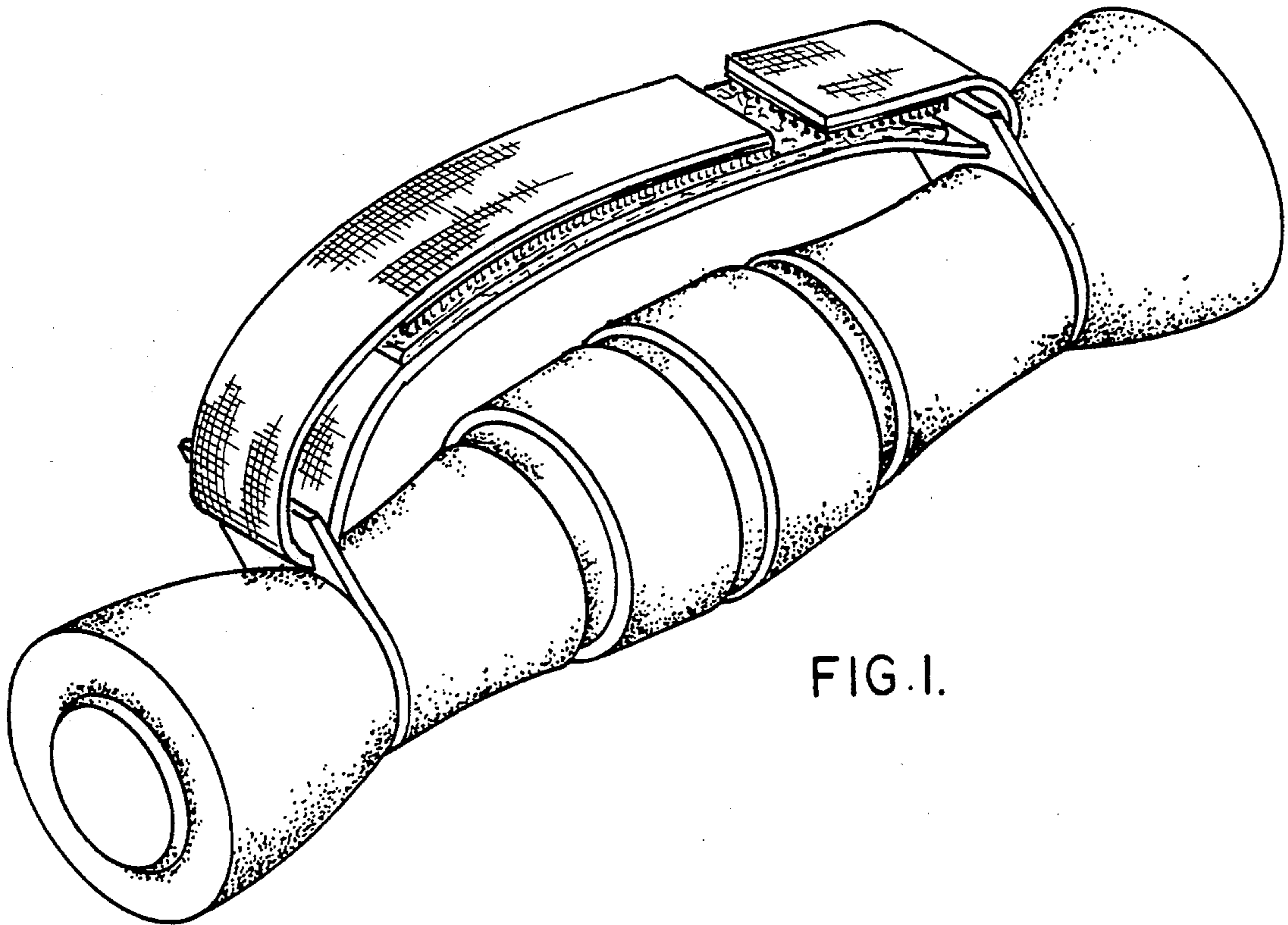


FIG. 1.

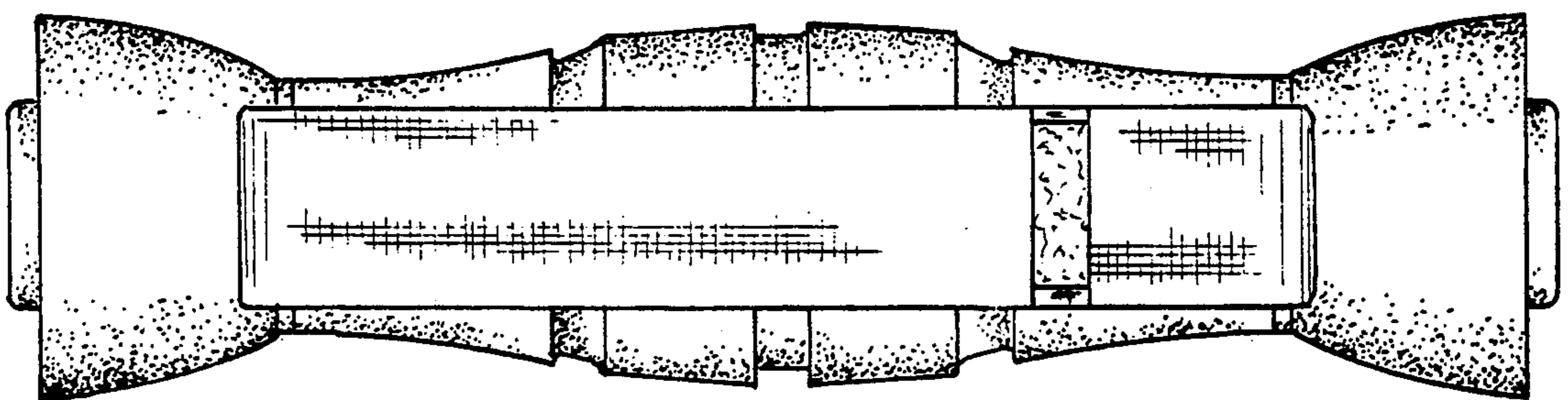


FIG. 2.

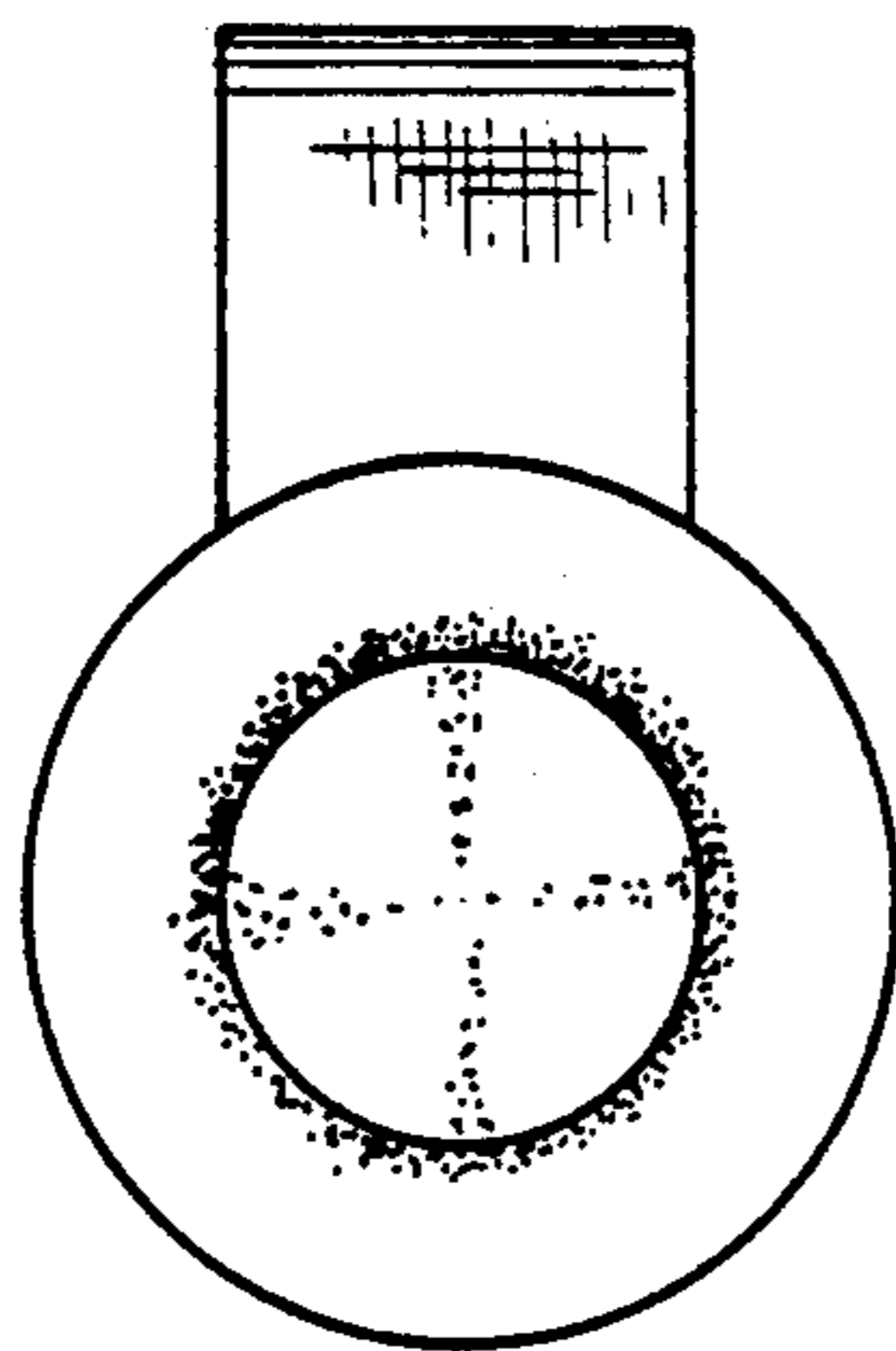


FIG. 3.

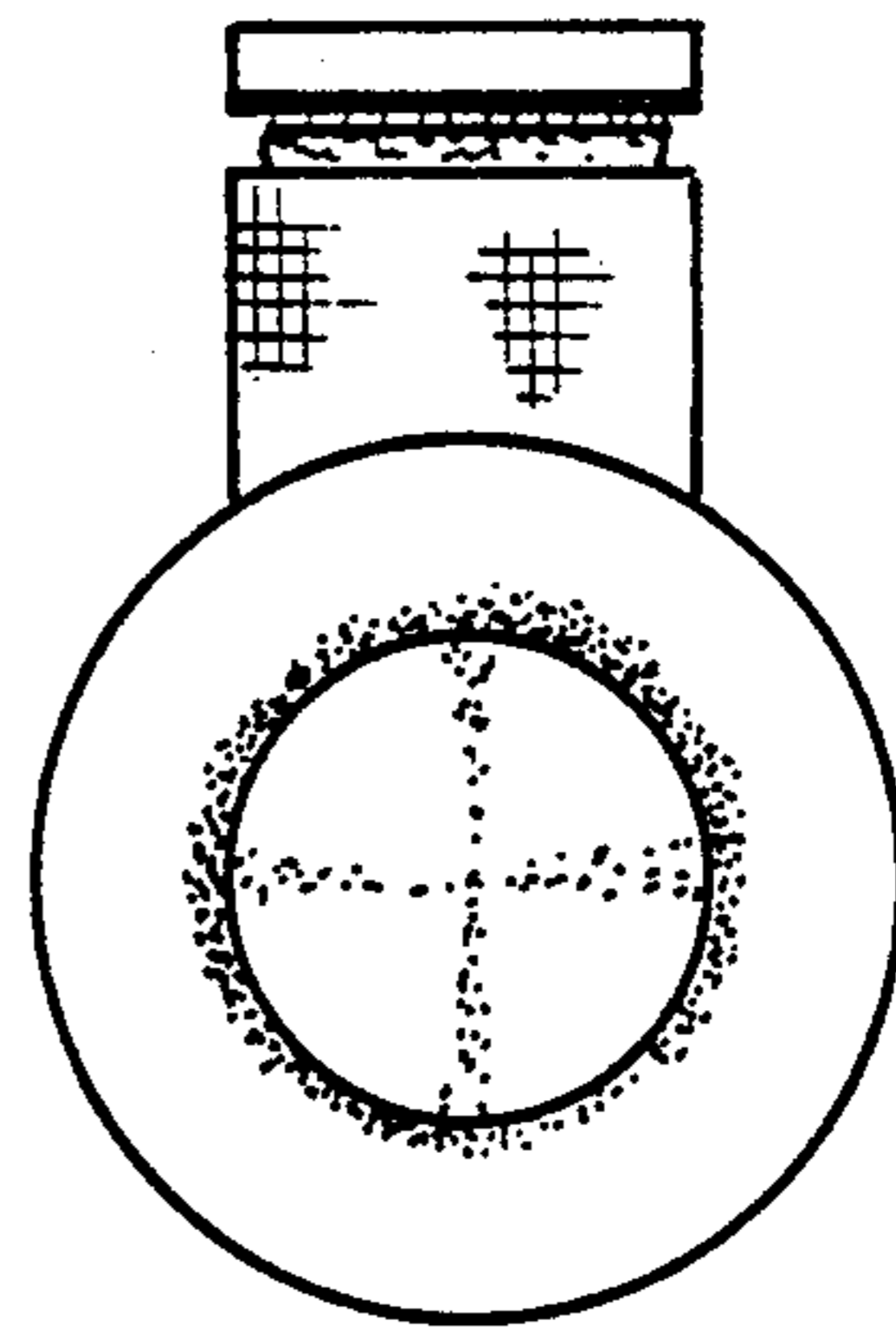


FIG. 4.

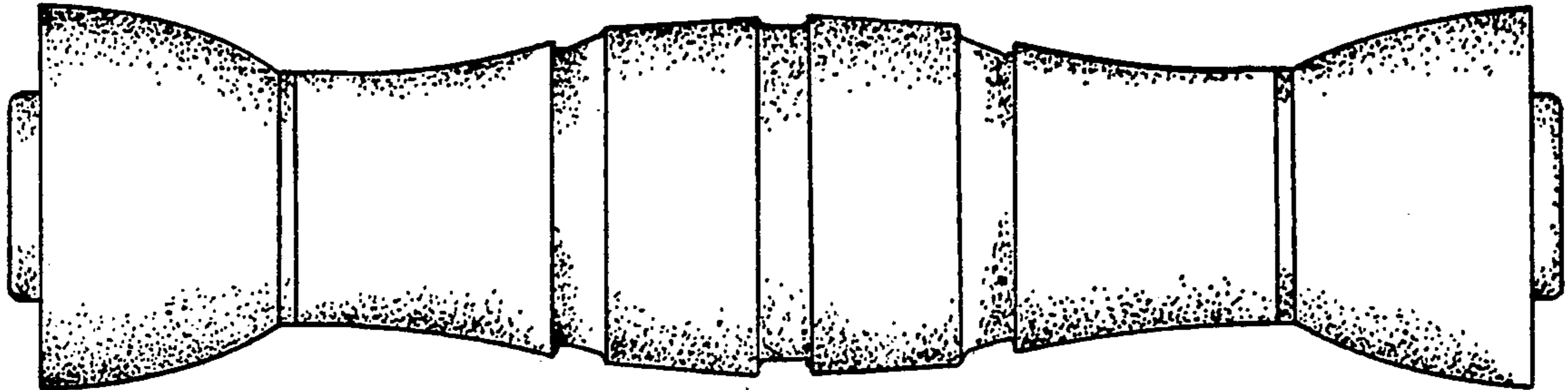


FIG. 5.

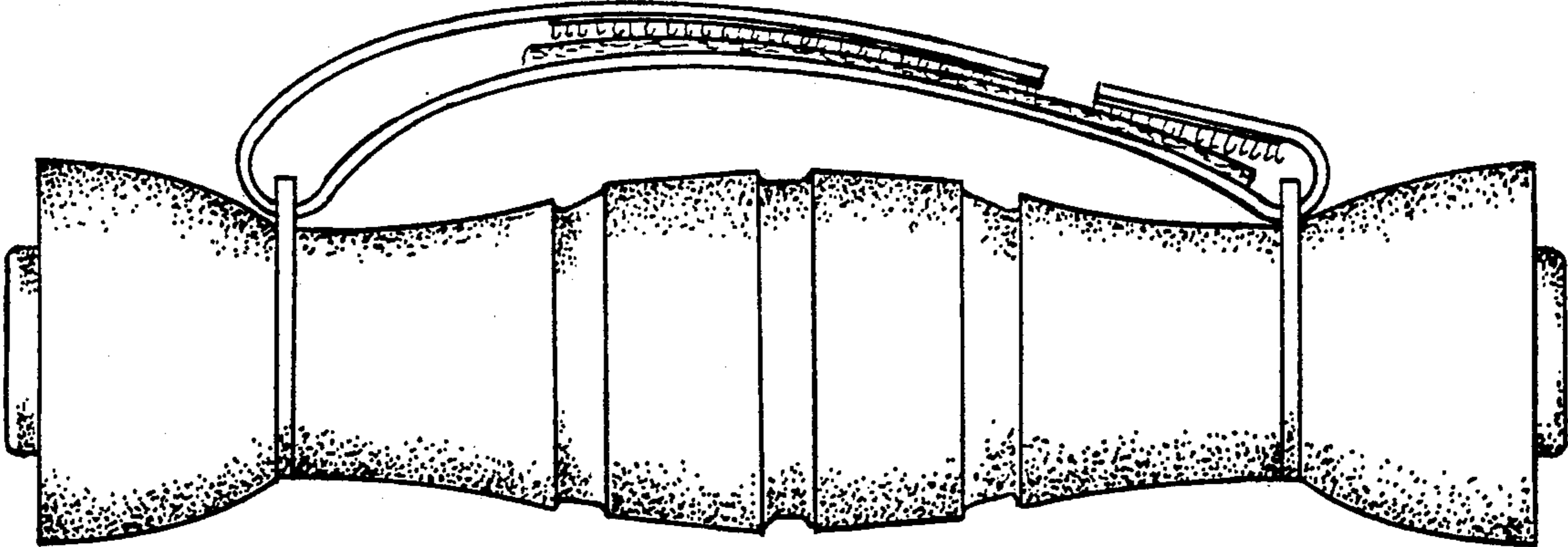


FIG. 6.