



US00D326295S

United States Patent [19]

[11] Patent Number: **Des. 326,295**

Monneret

[45] Date of Patent: **** May 19, 1992**

[54] **COMBINED TABLE AND SEATING FOR DOLLS OR THE LIKE**

[75] Inventor: **Alain Monneret, Voiteur, France**

[73] Assignee: **Monneret Jouets, Lons Le Saunier, France**

[**] Term: **14 Years**

[21] Appl. No.: **560,581**

[22] Filed: **Jul. 30, 1990**

[30] **Foreign Application Priority Data**

Jan. 31, 1990 [IB] Int'l Pat. InstituteDM/015 740

[52] U.S. Cl. **D21/123**

[58] Field of Search D21/59, 109, 120, 121, D21/122, 123; D6/337, 335, 336, 397; 446/479, 482, 491

[56] **References Cited**

U.S. PATENT DOCUMENTS

D. 104,137 4/1937 Goddard D6/337

D. 152,784 2/1949 Higgins D6/337

D. 183,814 10/1958 Scott D6/337

D. 194,981 4/1963 De La Riva D6/337

D. 228,162 8/1973 Fink D6/337

D. 273,731 5/1984 Pineiro D6/337

D. 280,367 9/1985 Reamer et al. D6/337

4,738,484 4/1988 Leong D6/337

Primary Examiner—Charles A. Rademaker
Attorney, Agent, or Firm—Young & Thompson

[57] **CLAIM**

The ornamental design for a combined table and seating for dolls or the like, as shown and described.

DESCRIPTION

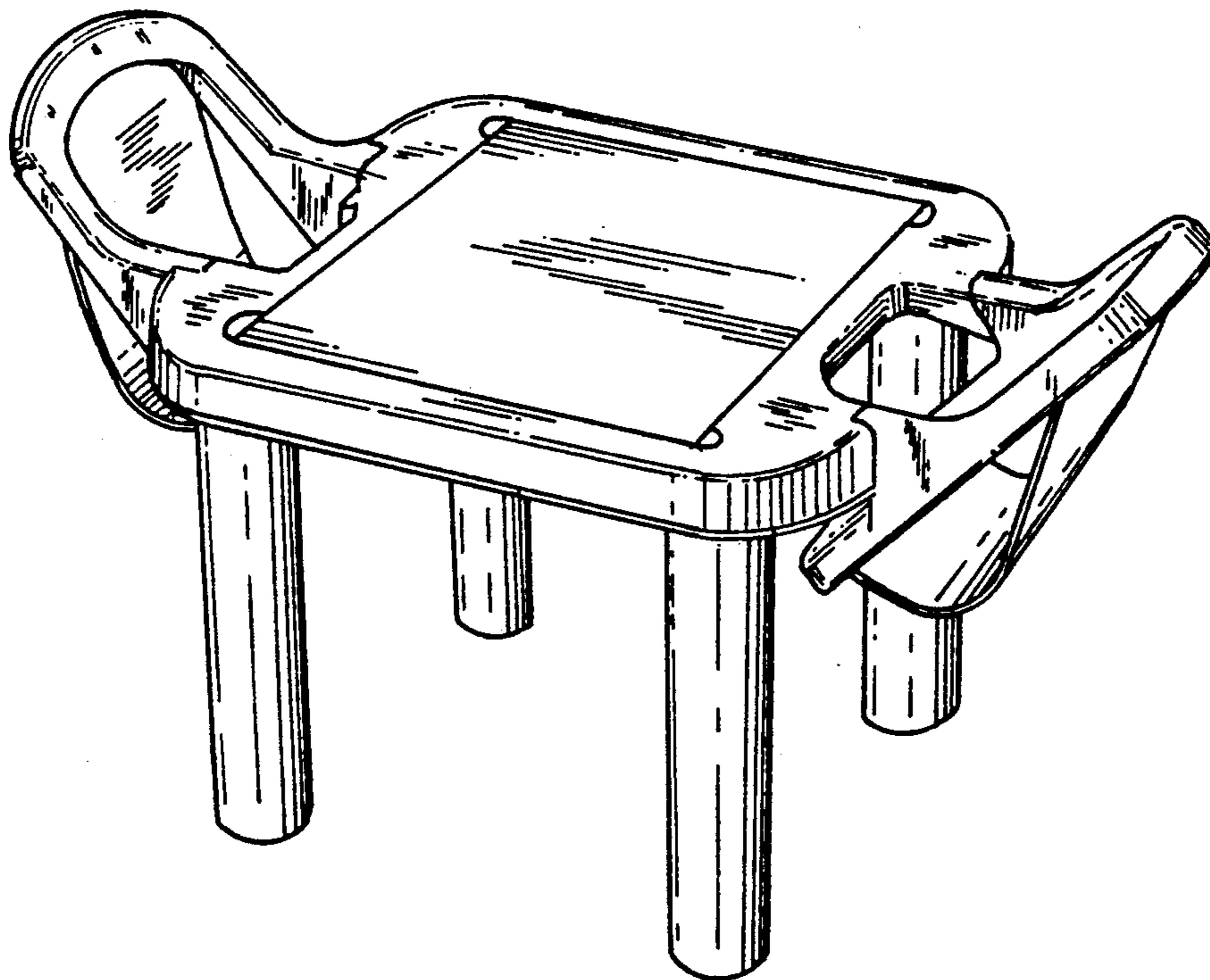
FIG. 1 is a top and side perspective view of a combined table and seating for dolls or the like showing my new design;

FIG. 2 is a top plan view thereof;

FIG. 3 is a side elevational view thereof; and,

FIG. 4 is a side elevational view thereof from the right of FIG. 3.

The sides opposite those shown in FIGS. 3 and 4 are the mirror images thereof.



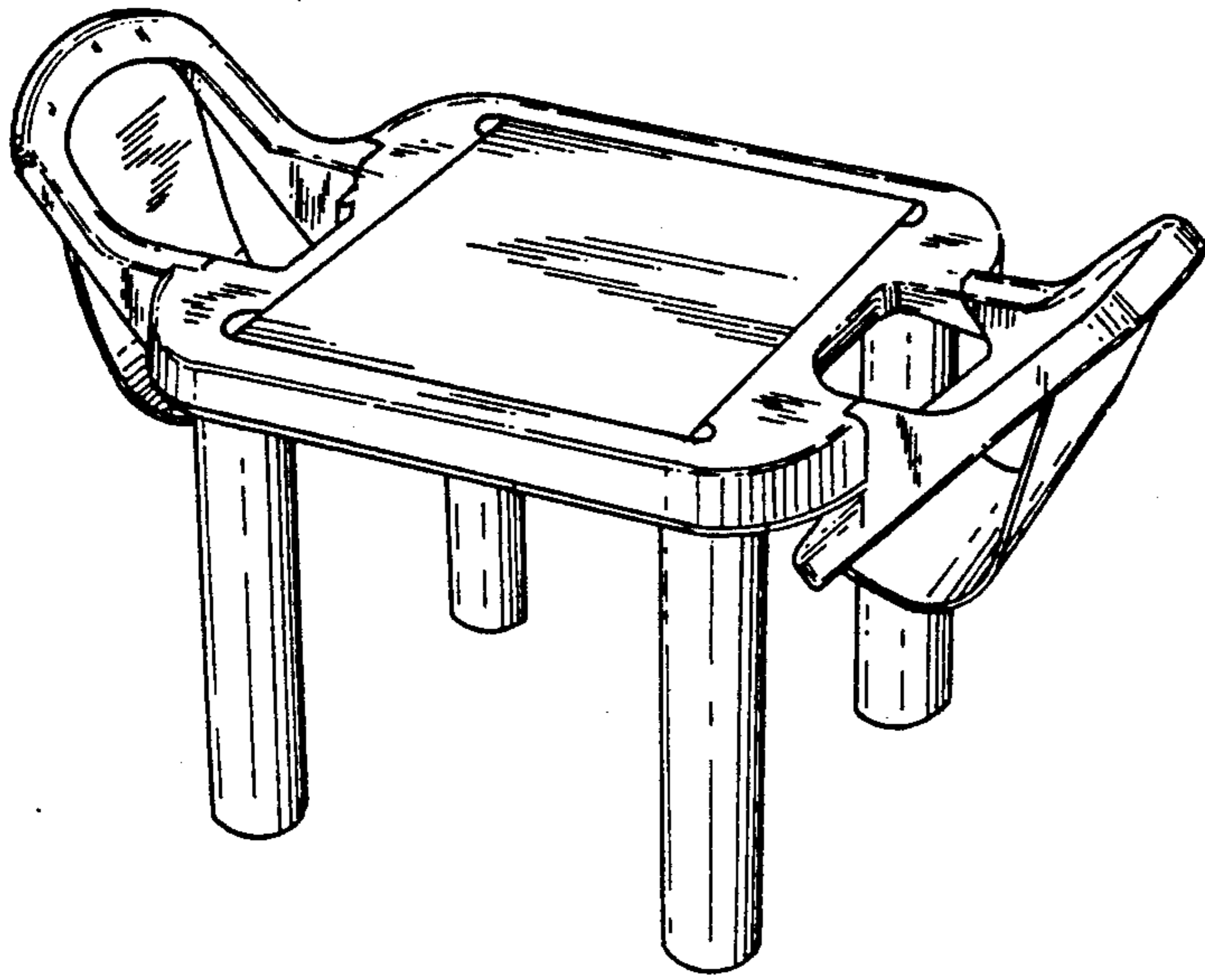


FIG. 1

FIG. 2

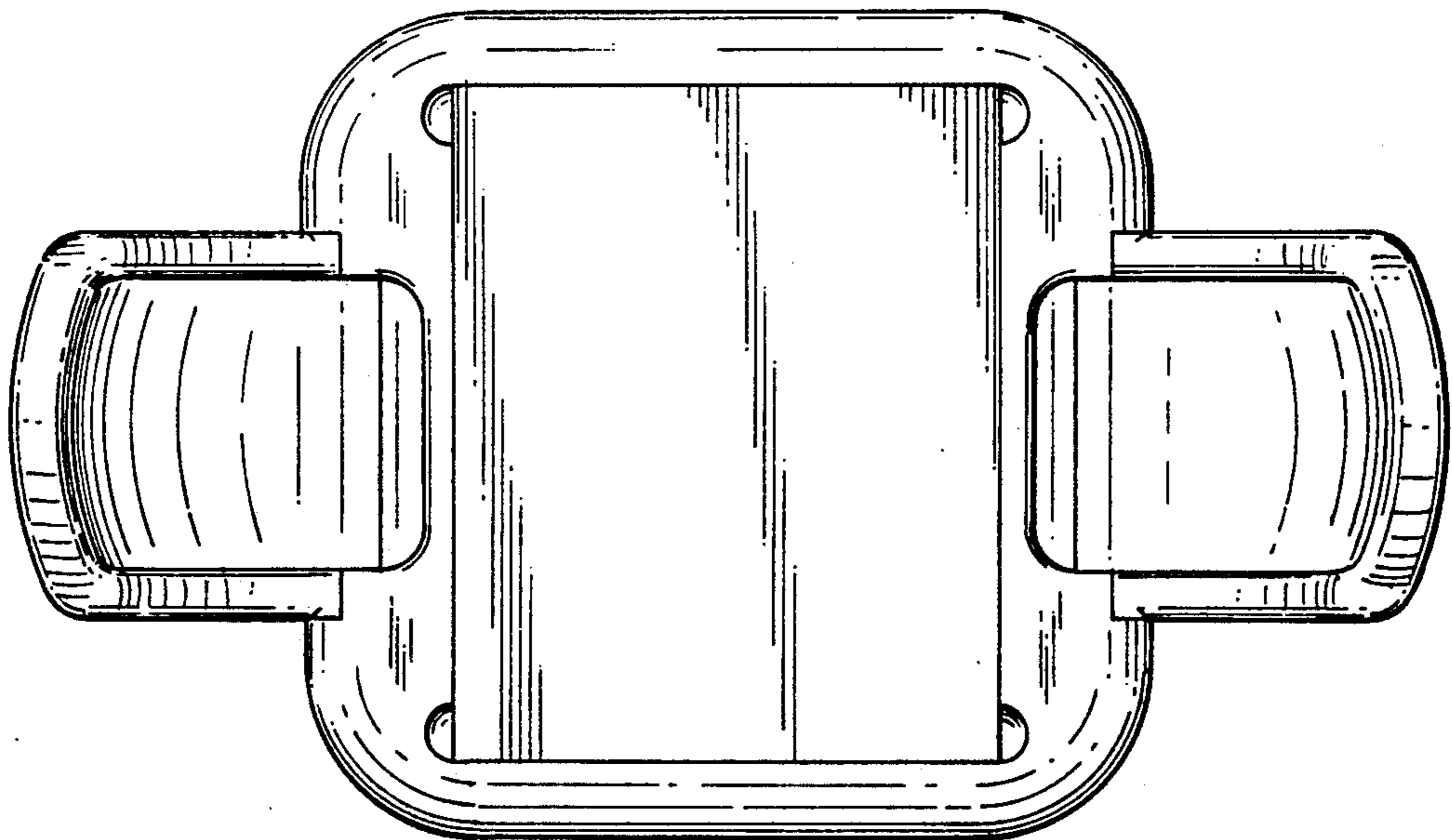


FIG. 3

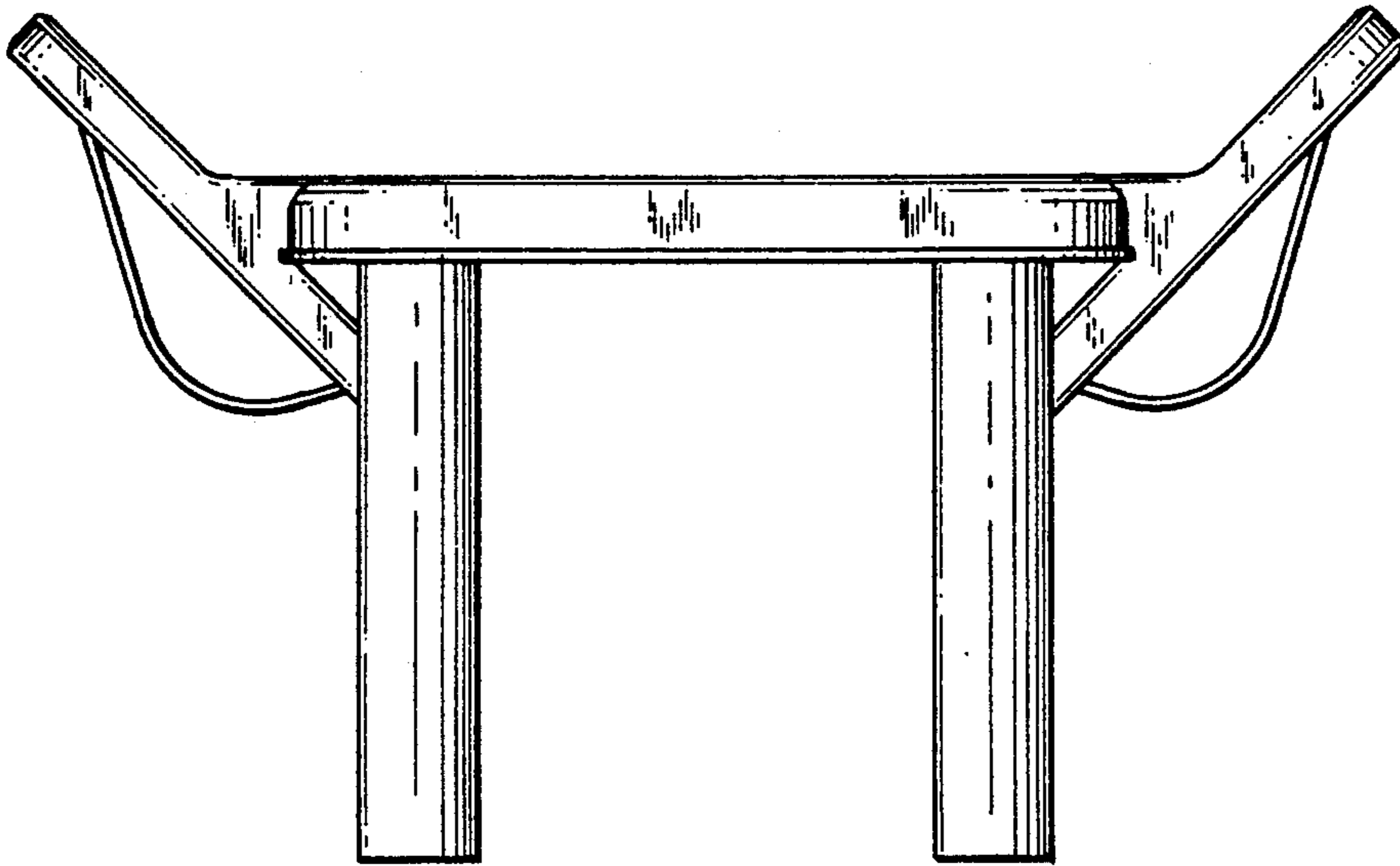


FIG. 4

