



US00D326294S

United States Patent [19]
Zampolli

[11] **Patent Number: Des. 326,294**

[45] **Date of Patent: ** May 19, 1992**

[54] **TOY ICE GRATING MACHINE**

[75] **Inventor: Paolo Zampolli, Azzate, Italy**

[73] **Assignee: Harbert - Giochi per Giocare S.r.l., Milan, Italy**

[**] **Term: 14 Years**

[21] **Appl. No.: 552,267**

[22] **Filed: Jul. 13, 1990**

[30] **Foreign Application Priority Data**

Jan. 24, 1990 [IT] Italy20491/90[U]
[52] **U.S. Cl. D21/122**
[58] **Field of Search D21/59, 109, 122;**
446/483, 479, 475, 491; D7/374, 669, 673, 693,
381

[56] **References Cited**

U.S. PATENT DOCUMENTS

D. 191,457 10/1961 Saffer D21/122
D. 304,897 12/1989 Lin D7/374
D. 318,776 8/1991 Lin D7/374

Primary Examiner—Charles A. Rademaker
Attorney, Agent, or Firm—Browdy and Neimark

[57] **CLAIM**

The ornamental design for a toy ice grating machine, as shown.

DESCRIPTION

FIG. 1 is a top perspective view of a toy ice grating machine showing my new design;
FIG. 2 is a right side elevational view thereof;
FIG. 3 is a left side elevational view thereof;
FIG. 4 is a top plan view thereof;
FIG. 5 is a front elevational view thereof;
FIG. 6 is a rear elevational view thereof; and,
FIG. 7 is a bottom plan view thereof.

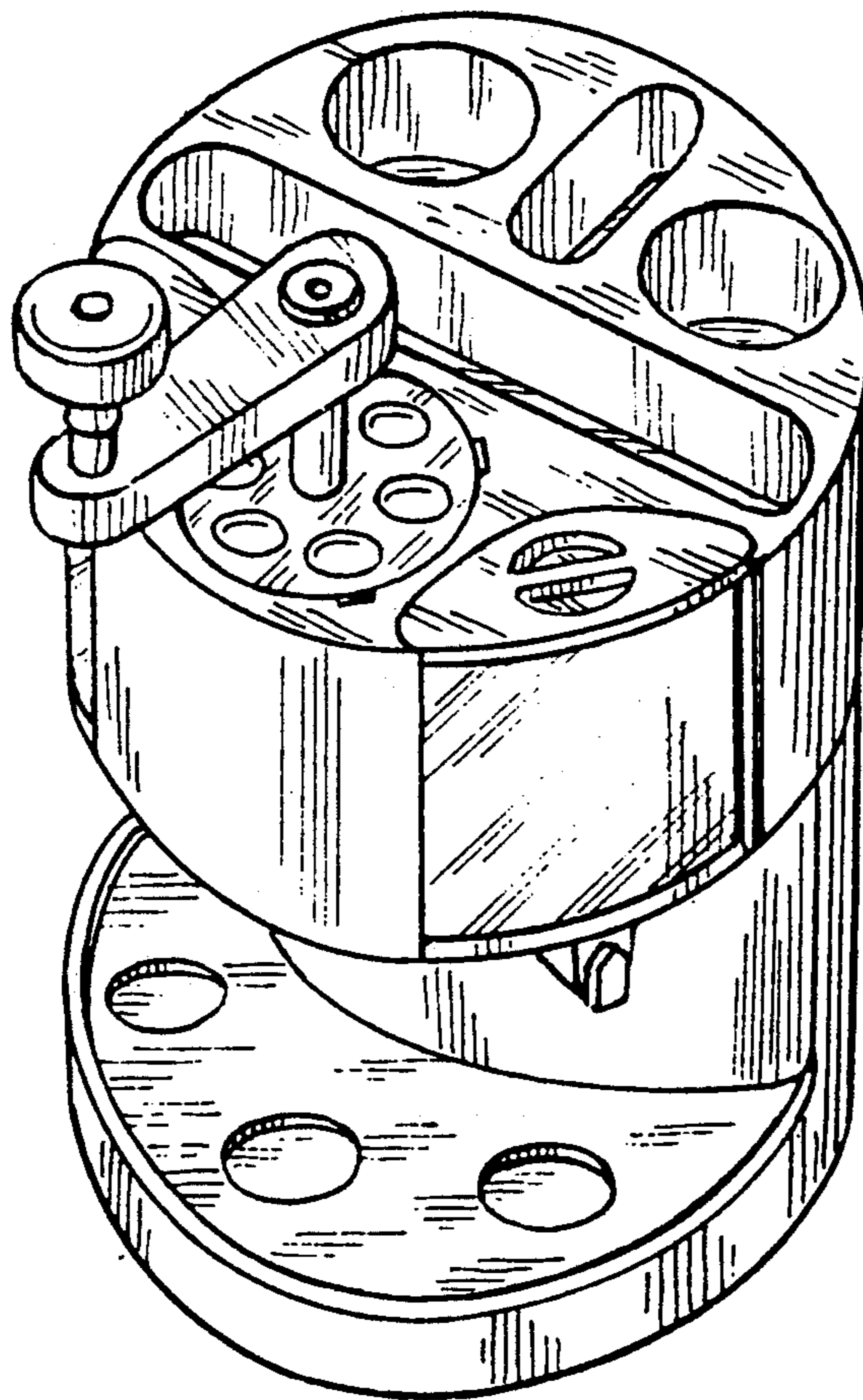


FIG. 1

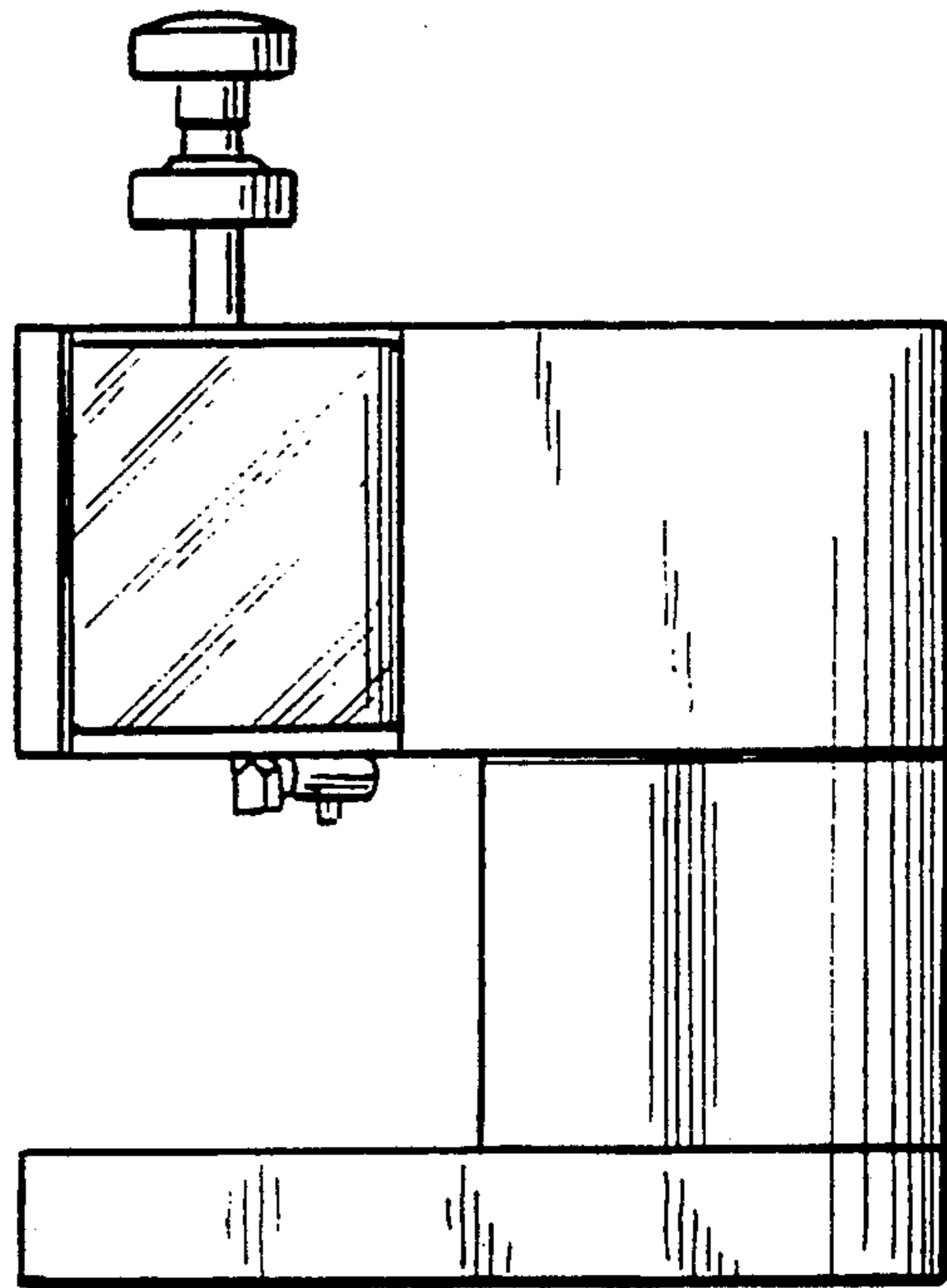
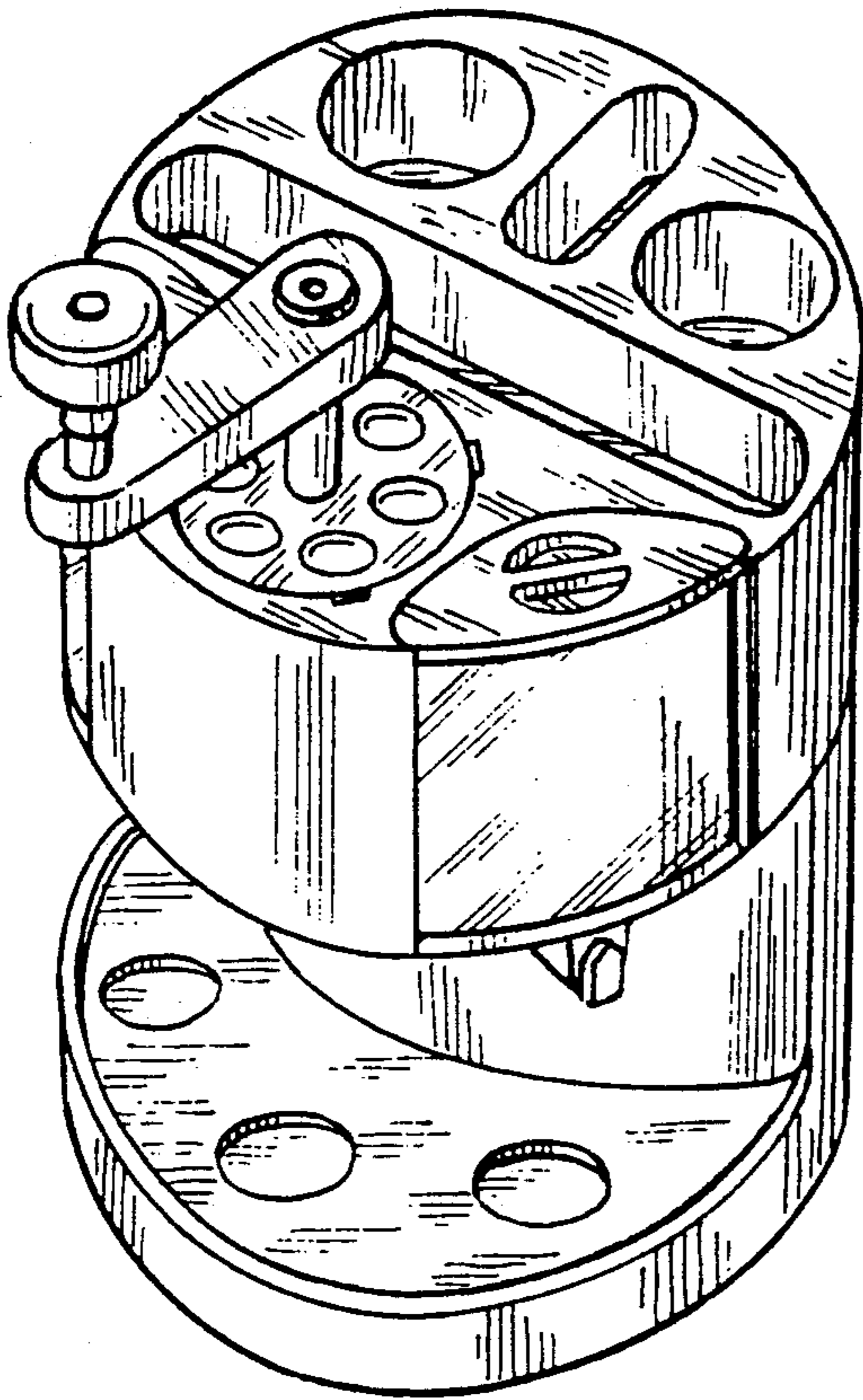


FIG. 2

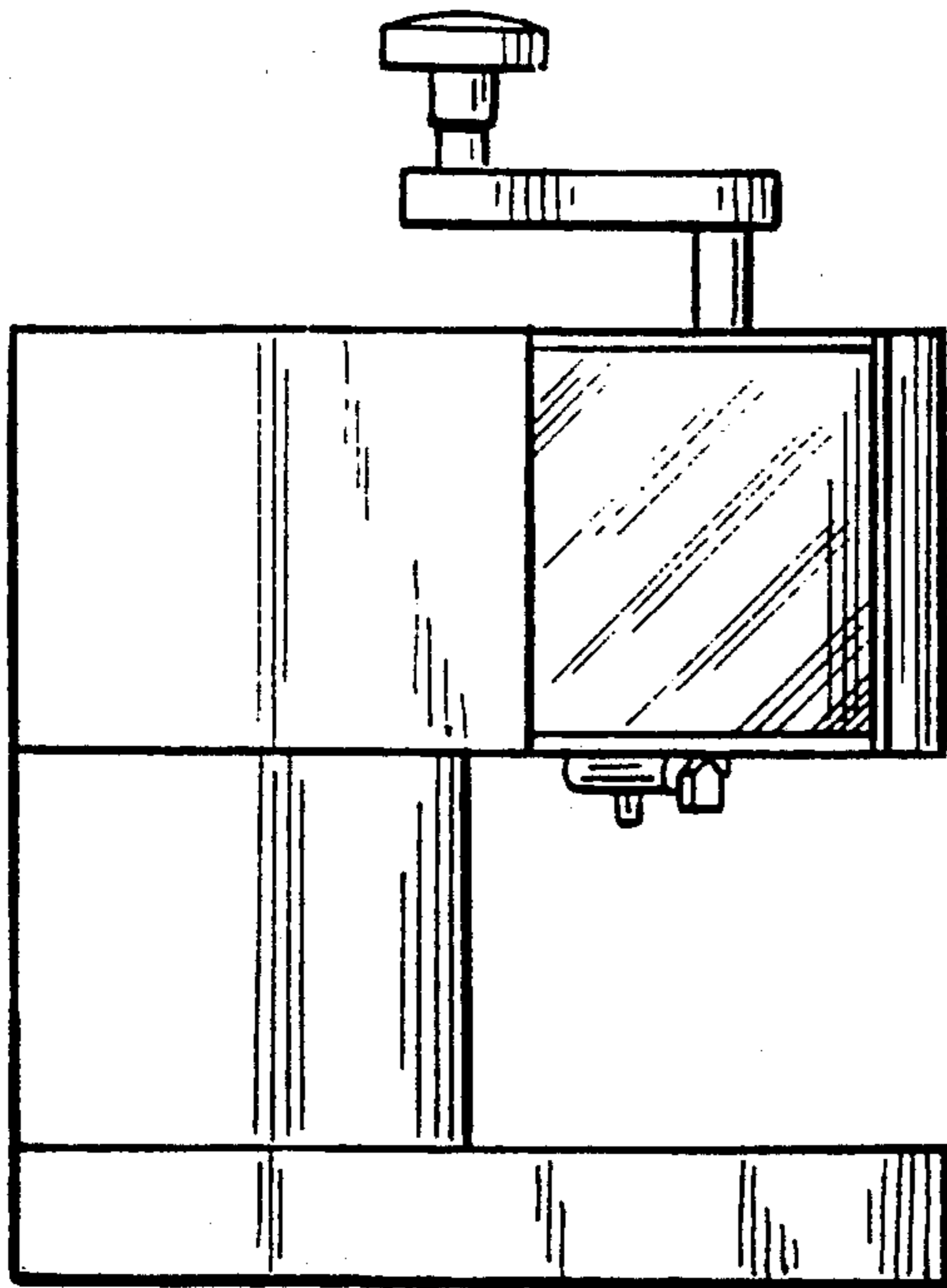


FIG. 3

FIG. 4

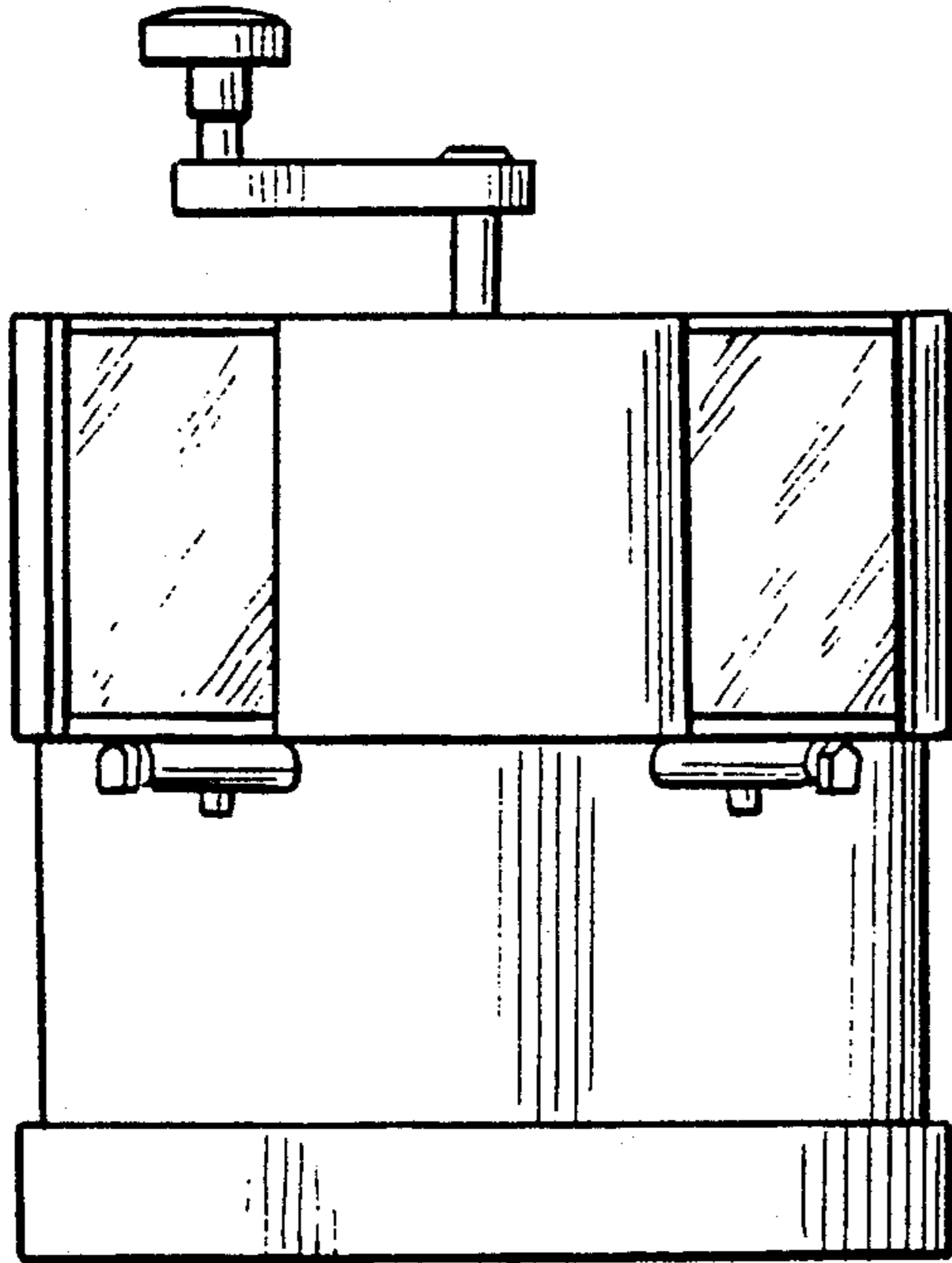
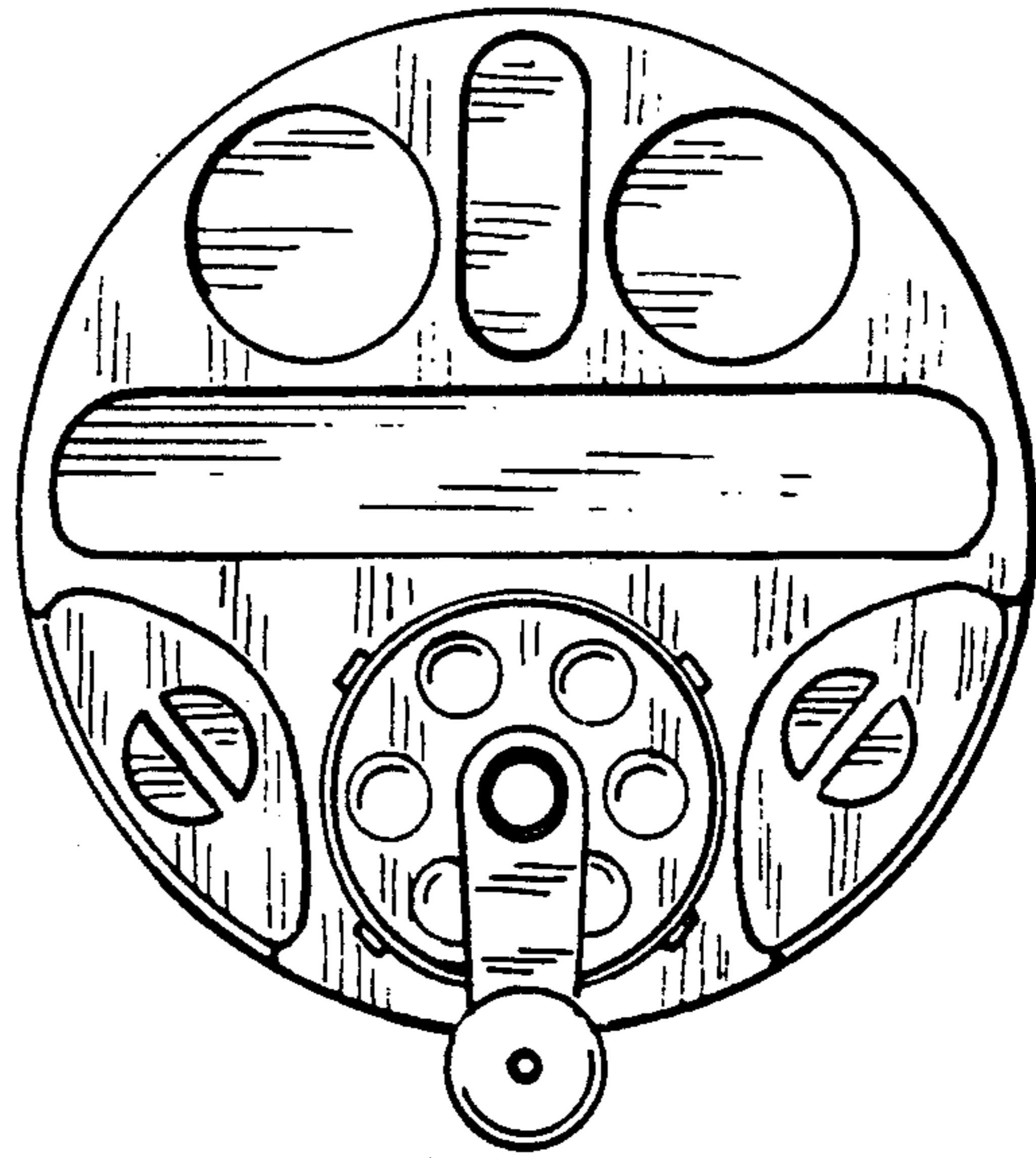


FIG. 5

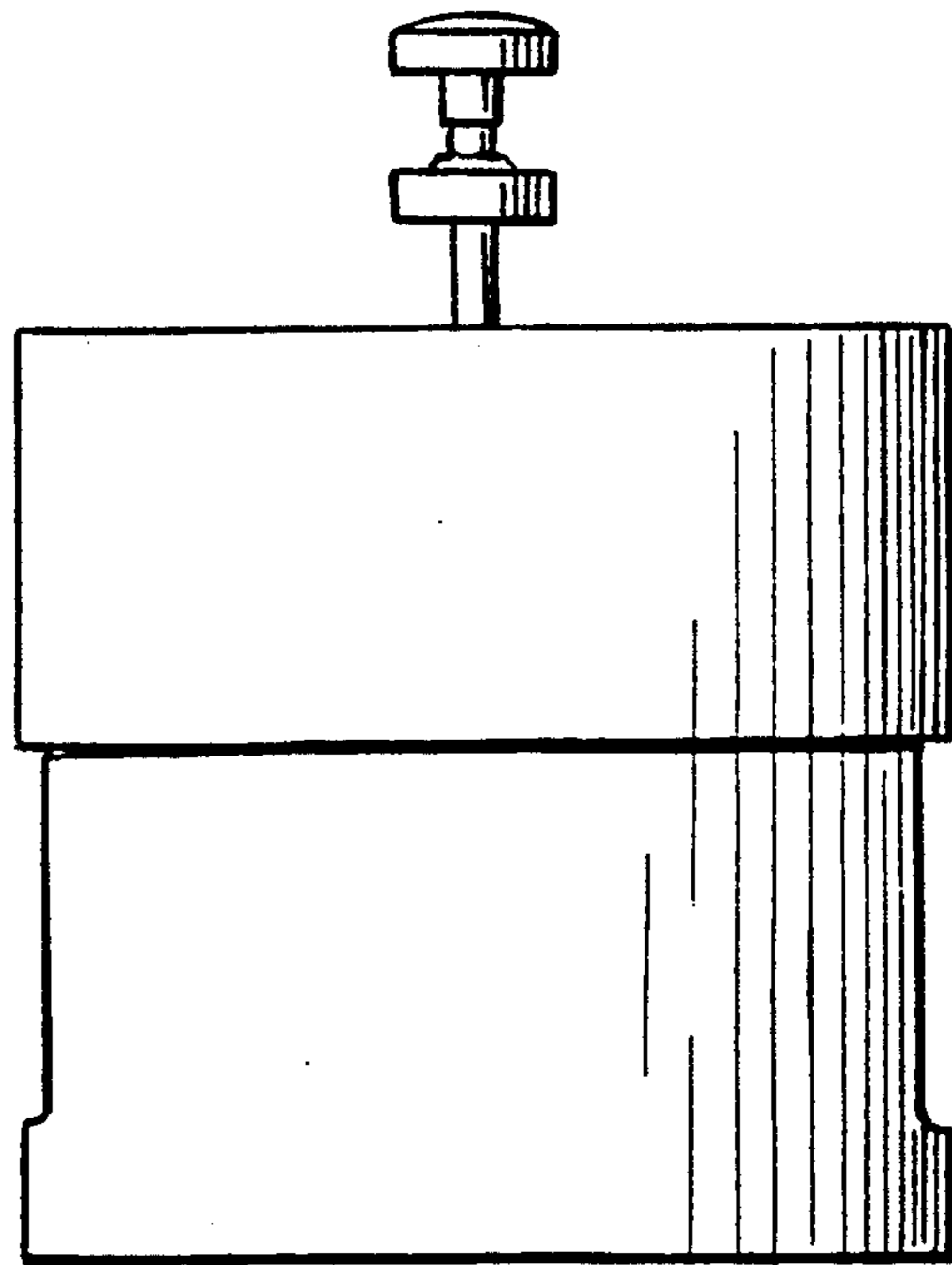


FIG. 6

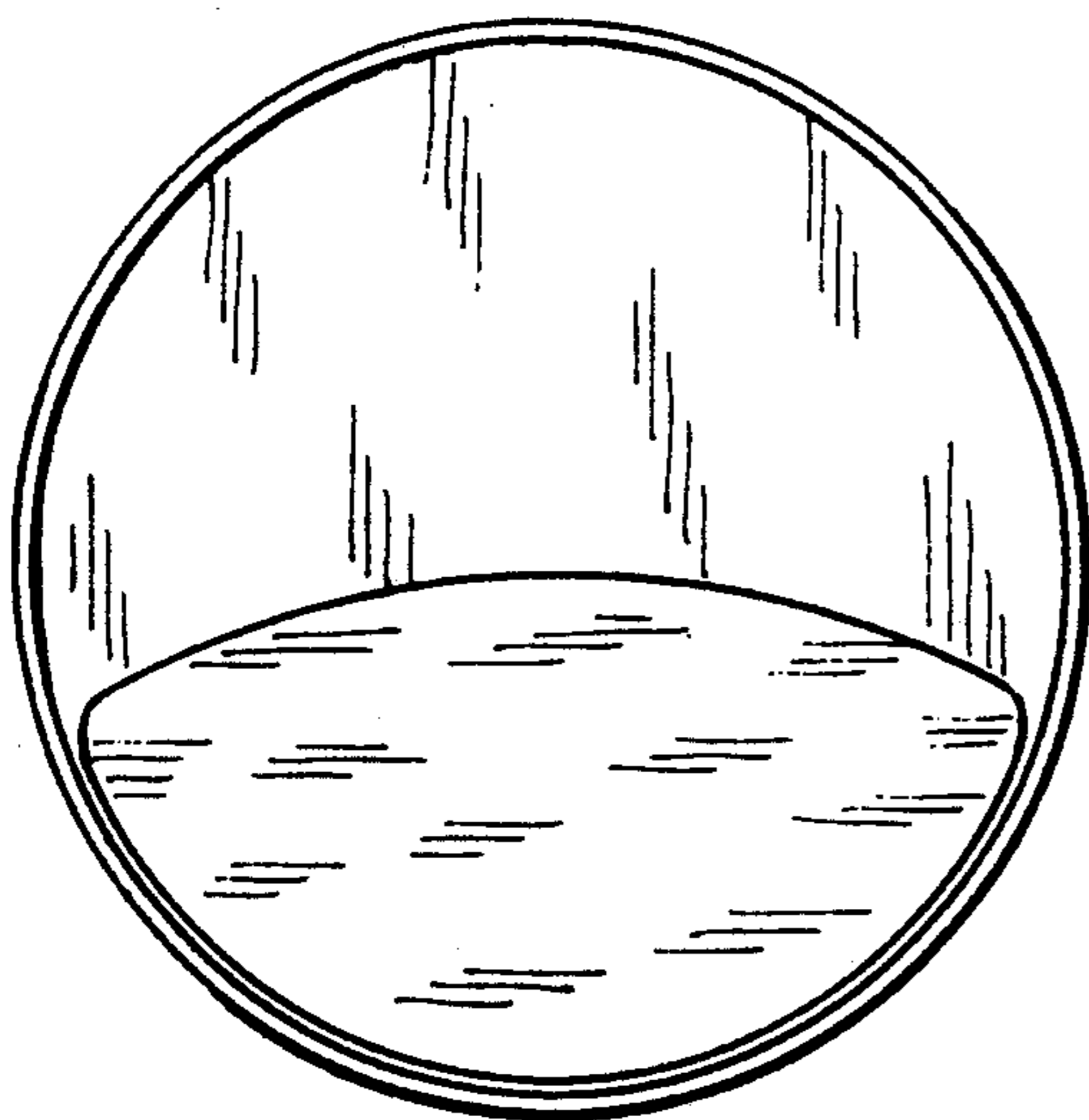


FIG. 7