



US00D326292S

United States Patent [19]

Monneret

[11] Patent Number: **Des. 326,292**

[45] Date of Patent: **** May 19, 1992**

[54] **DOLL BATH OR THE LIKE**

[56] **References Cited**

U.S. PATENT DOCUMENTS

[75] Inventor: **Alain Monneret, Lons Le Saunier, France**

D. 44,486	8/1913	Merry	D23/278
D. 118,113	12/1939	Feldman	D23/278
D. 143,715	2/1946	Douglas	D23/278
2,983,928	5/1961	Kennedy	D23/278

[73] Assignee: **Monneret Jouets, Lons Le Saunier, France**

Primary Examiner—Charles A. Rademaker
Attorney, Agent, or Firm—Young & Thompson

[**] Term: **14 Years**

[57] **CLAIM**

The ornamental design for a doll bath or the like, as shown.

[21] Appl. No.: **557,114**

DESCRIPTION

[22] Filed: **Jul. 25, 1990**

FIG. 1 is a top, front and side perspective view of a doll bath or the like, showing my new design;
 FIG. 2 is a front elevational view thereof;
 FIG. 3 is a rear elevational view thereof;
 FIG. 4 is a top plan view thereof;
 FIG. 5 is a side elevational view thereof from the left of FIG. 2; and,
 FIG. 6 is a side elevational view thereof from the right of FIG. 2.

[30] **Foreign Application Priority Data**

Jan. 26, 1990 [IB] Int'l Pat. InstituteDM/015698
 [52] U.S. Cl. **D21/121; D23/278**
 [58] Field of Search **D21/59, 120, 121, 122, D21/109; D23/278; 446/472, 479, 482, 491**

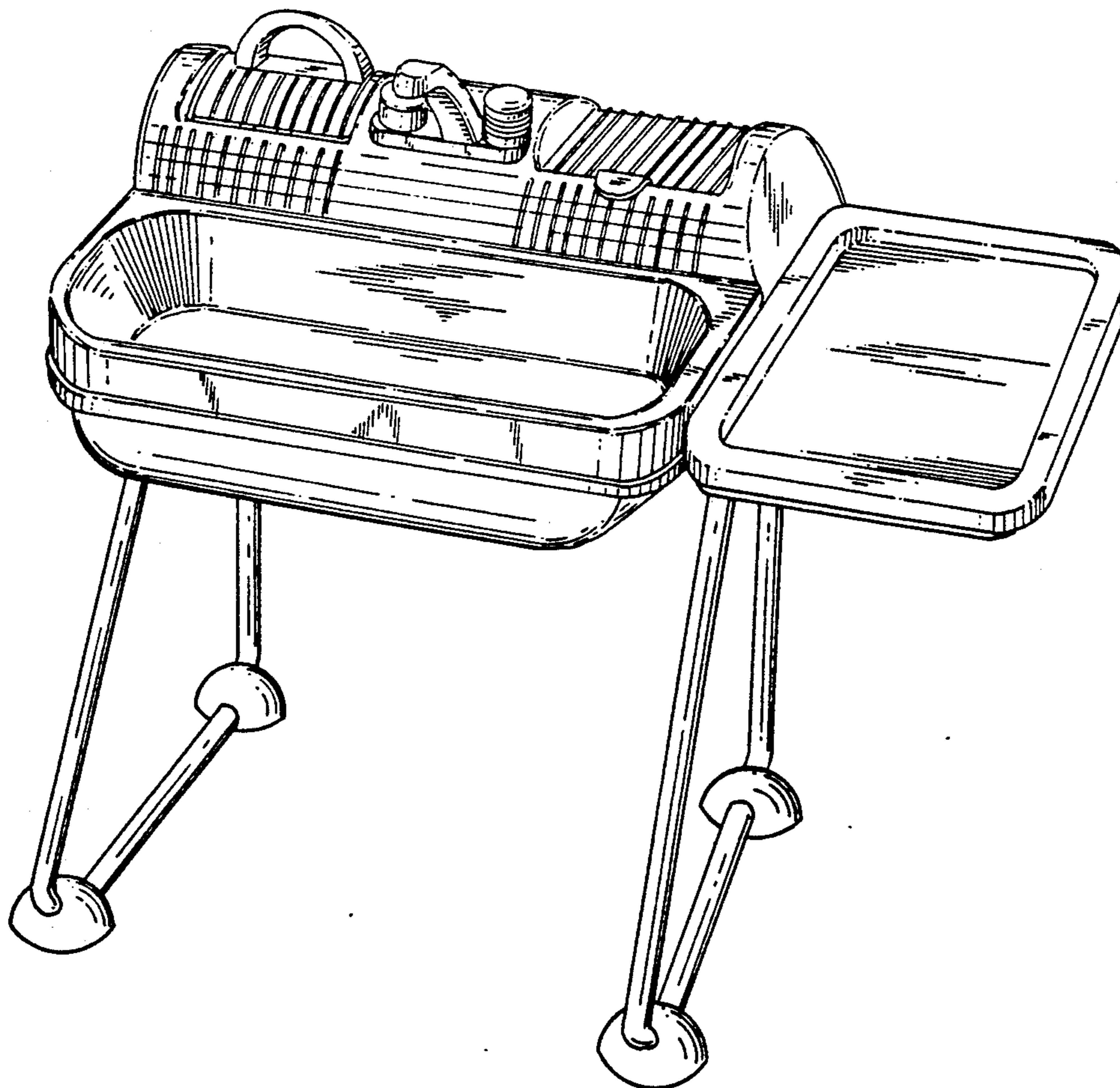


FIG. 1

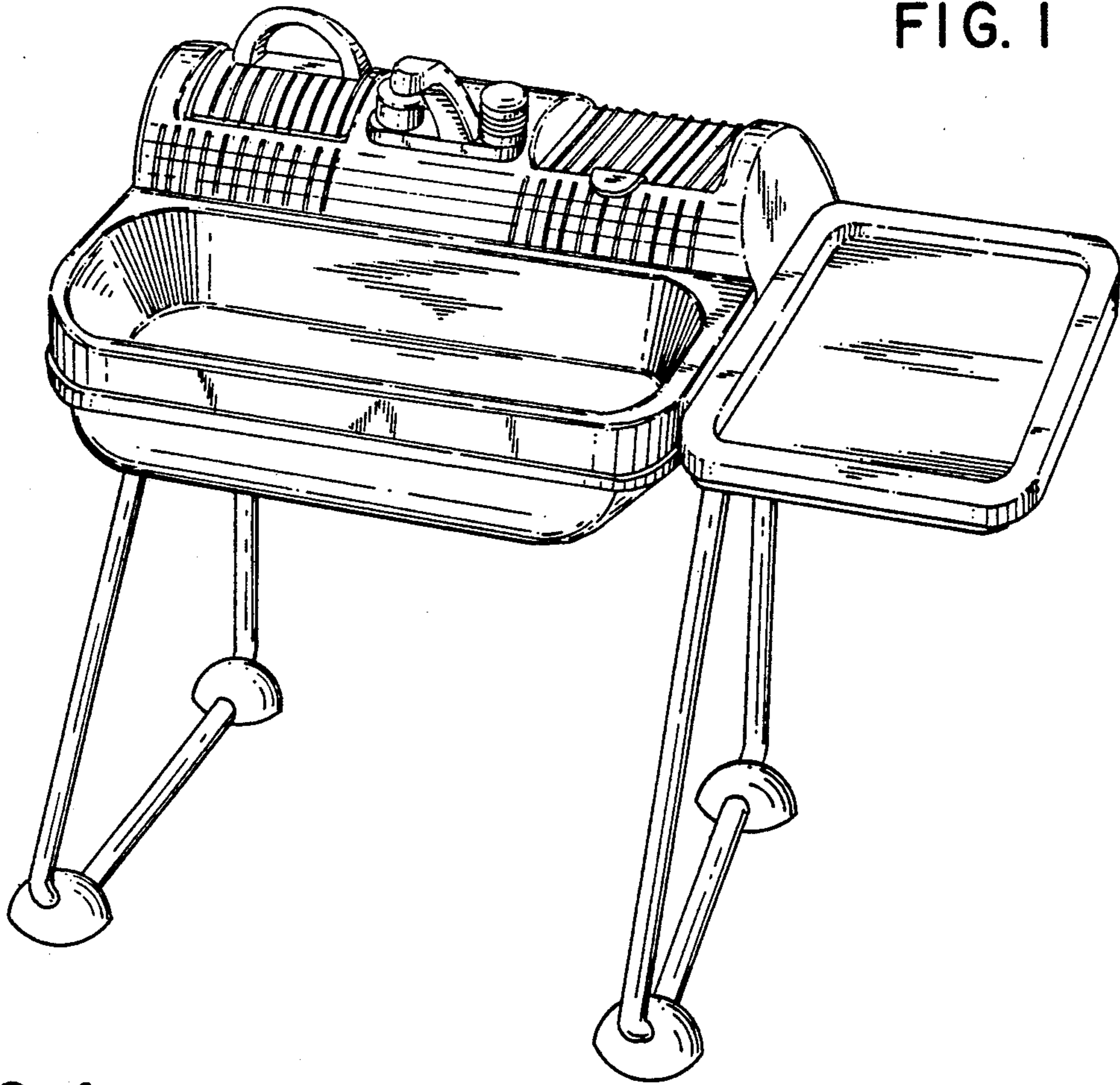


FIG. 4

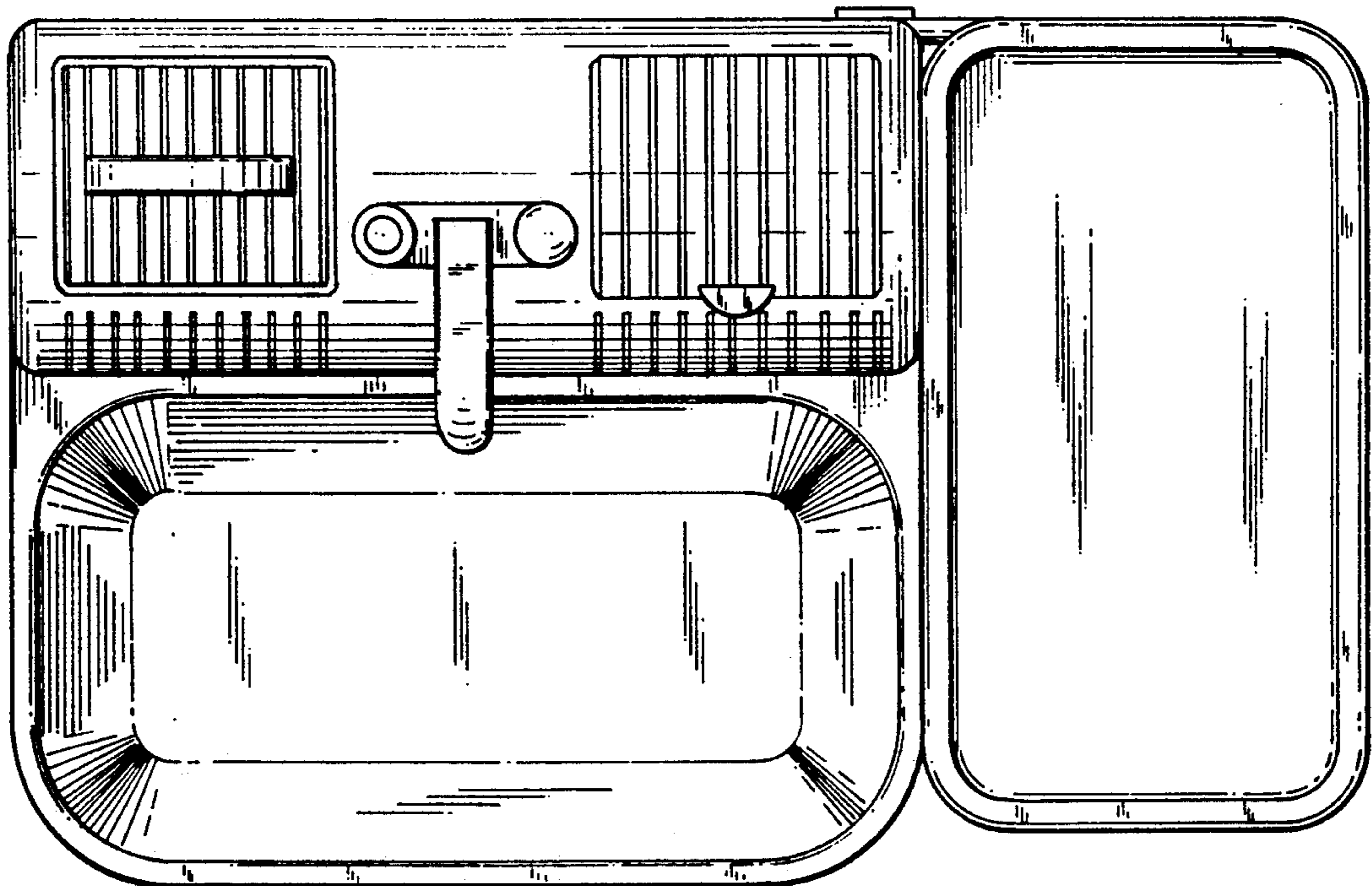


FIG. 2

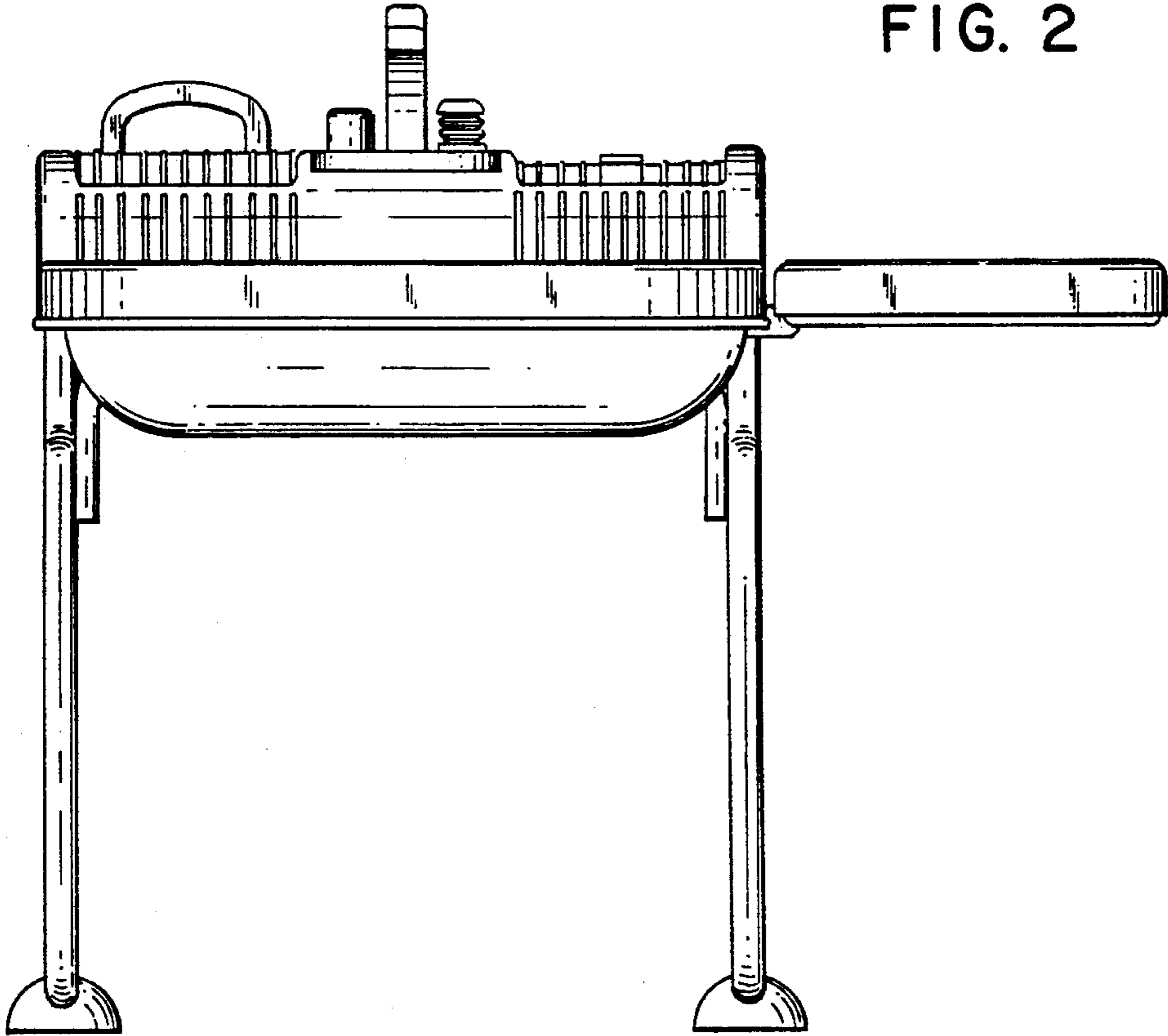
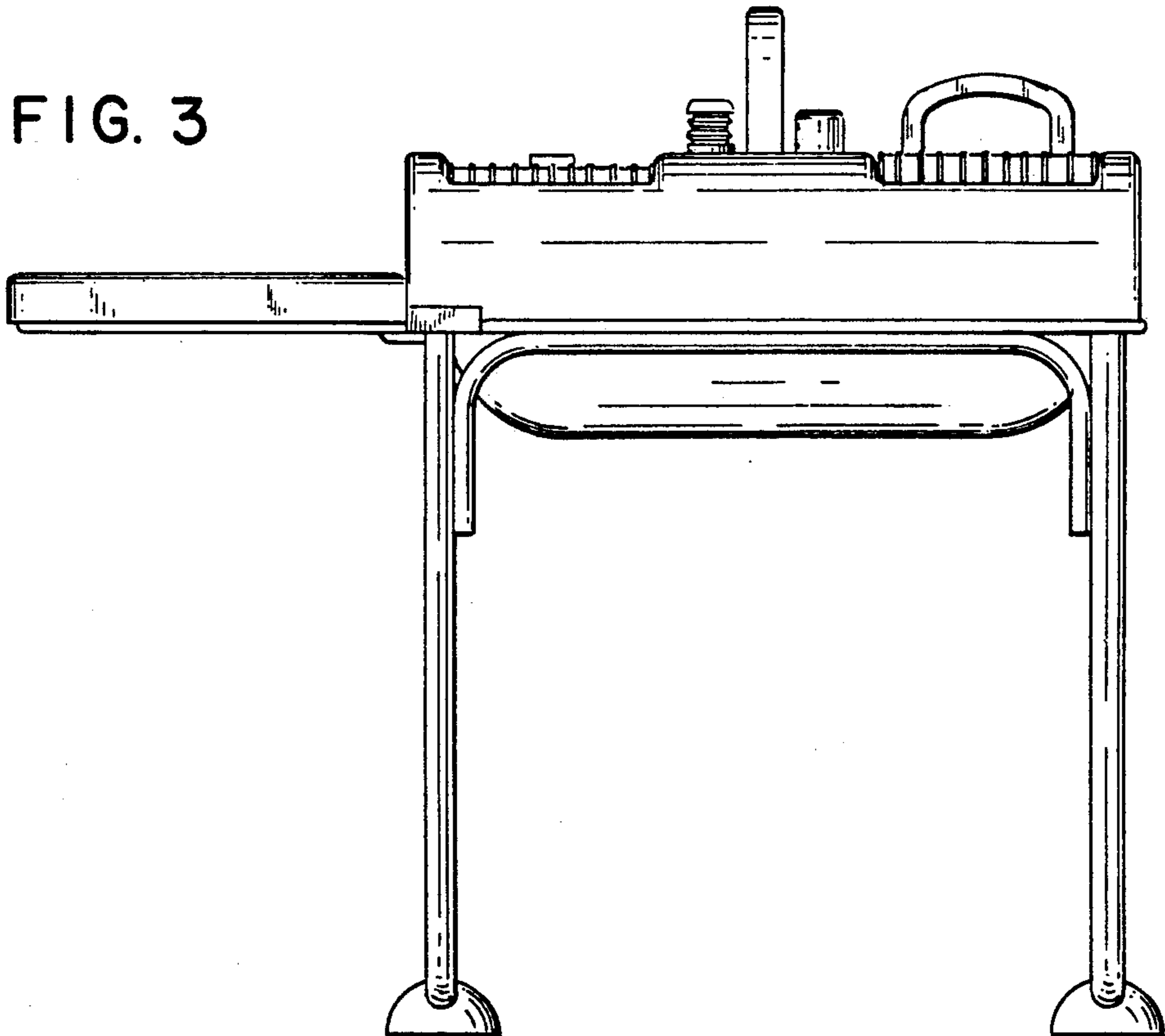


FIG. 3



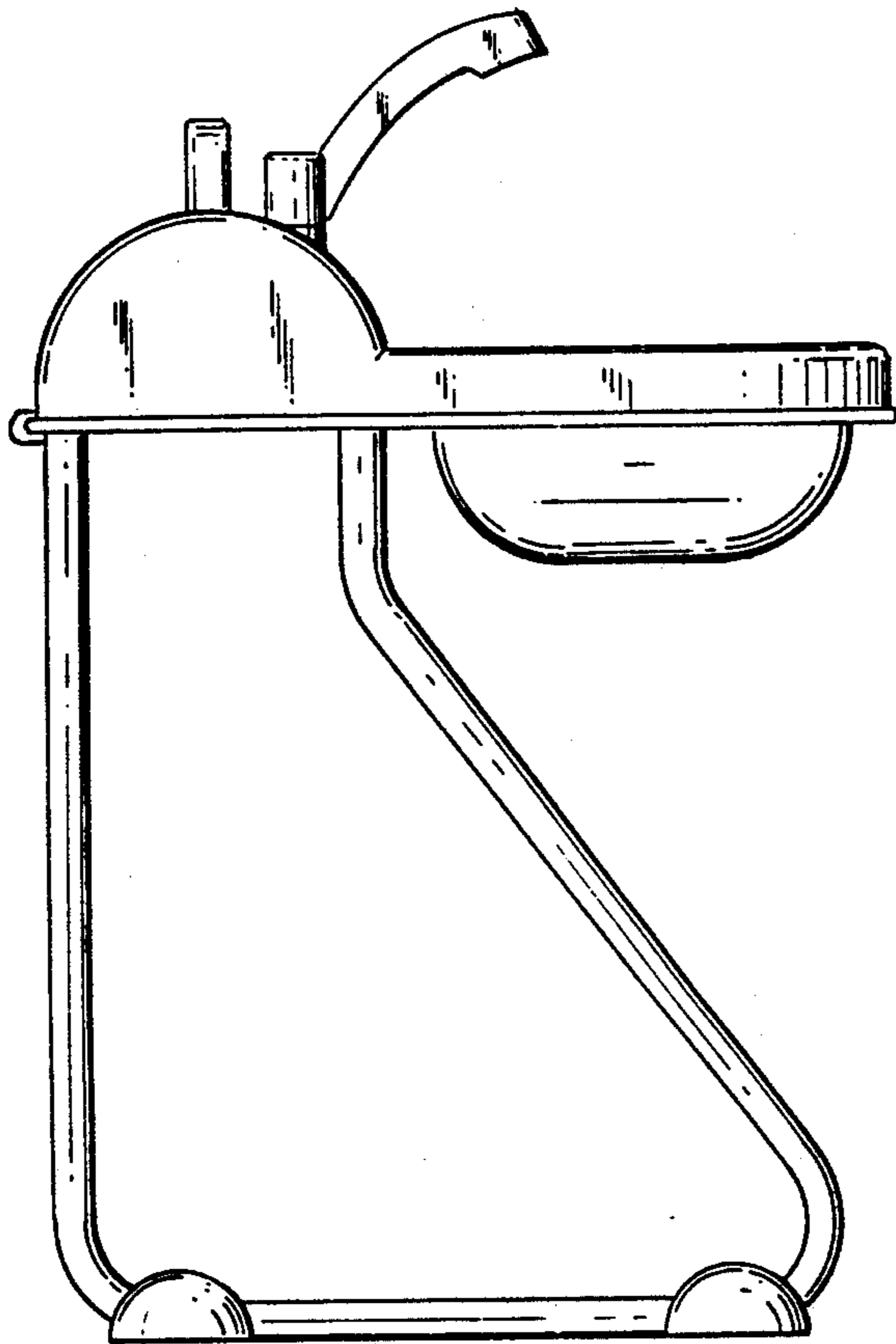


FIG. 5

FIG. 6

