



US00D326288S

United States Patent [19]

[11] Patent Number: **Des. 326,288**

Arnott et al.

[45] Date of Patent: **** May 19, 1992**

[54] CHILD'S VEHICLE

[56] References Cited

[75] Inventors: **John Arnott; Gary Kaga**, both of Toronto, Canada

U.S. PATENT DOCUMENTS

D. 285,322	8/1986	Appel	D21/71
D. 296,225	6/1988	Armstrong	D21/71
D. 308,556	6/1990	Klawitter	D21/78
4,562,893	1/1986	Cunard	446/465

[73] Assignee: **Noma Outdoor Products Inc.**, Brampton, Canada

Primary Examiner—Bernard Ansher
Assistant Examiner—R. Barkai
Attorney, Agent, or Firm—Kenneth M. Garrett

[**] Term: **14 Years**

[57] CLAIM

The ornamental design for a child's vehicle, as shown and described.

[21] Appl. No.: **599,790**

DESCRIPTION

[22] Filed: **Oct. 18, 1990**

FIG. 1 is a front, left side perspective view of a child's vehicle showing our new design;

[52] U.S. Cl. **D21/71**

FIG. 2 is a front elevation view thereof;

[58] Field of Search D21/71, 134, 74, 136,

FIG. 3 is a rear elevational view thereof;

D21/76, 137, 78, 148, 80; D12/87, 91, 92;

FIG. 4 is a top plan view thereof;

446/275, 465, 279, 440, 286, 451, 462, 463;

FIG. 5 is a left side elevational view thereof, the right

280/87.021, 87.01, 282, 1.16, 1.13; 180/210;

side elevational view being a mirror image thereof; and,

272/52, 54

FIG. 6 is a bottom plan view thereof.

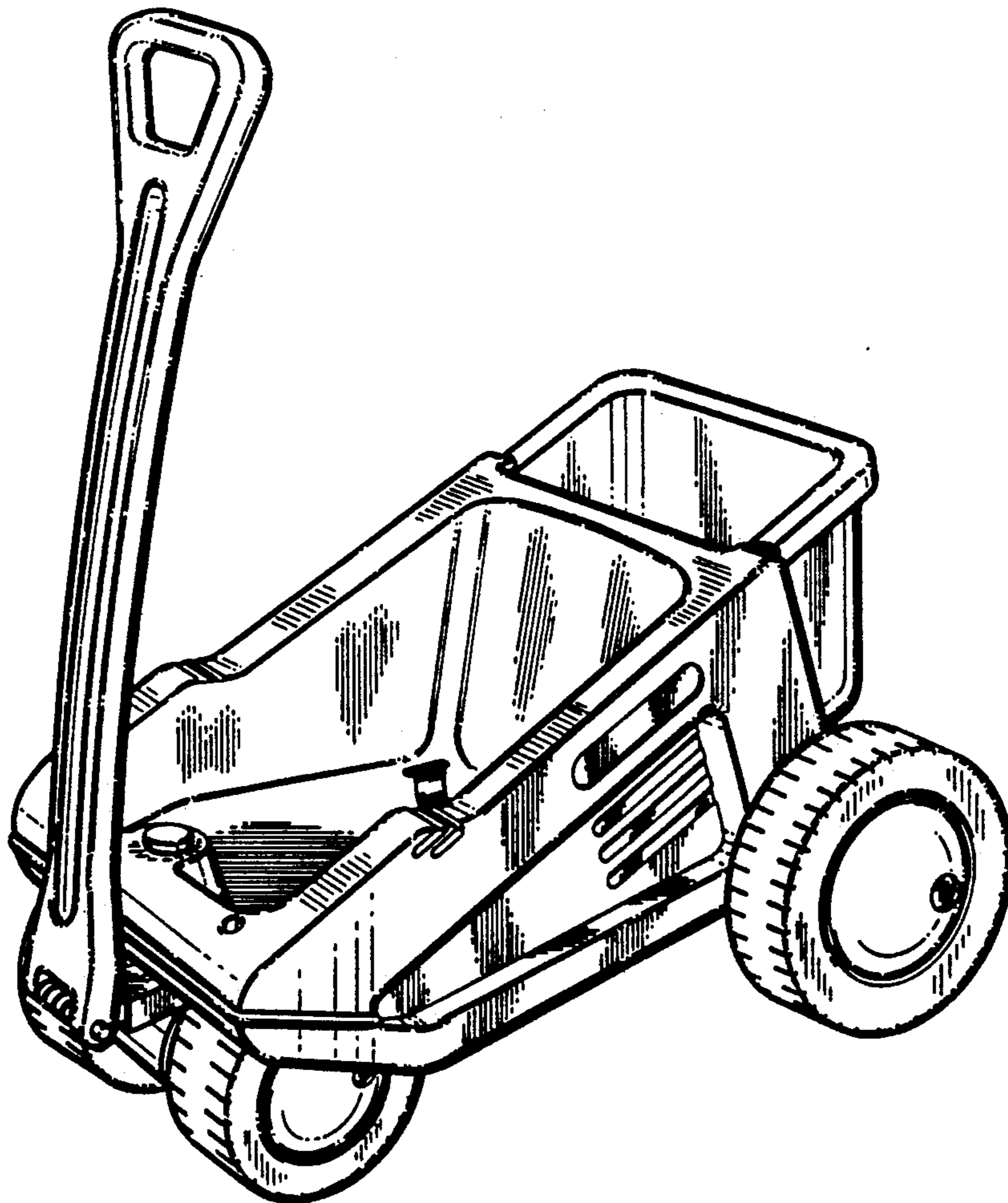
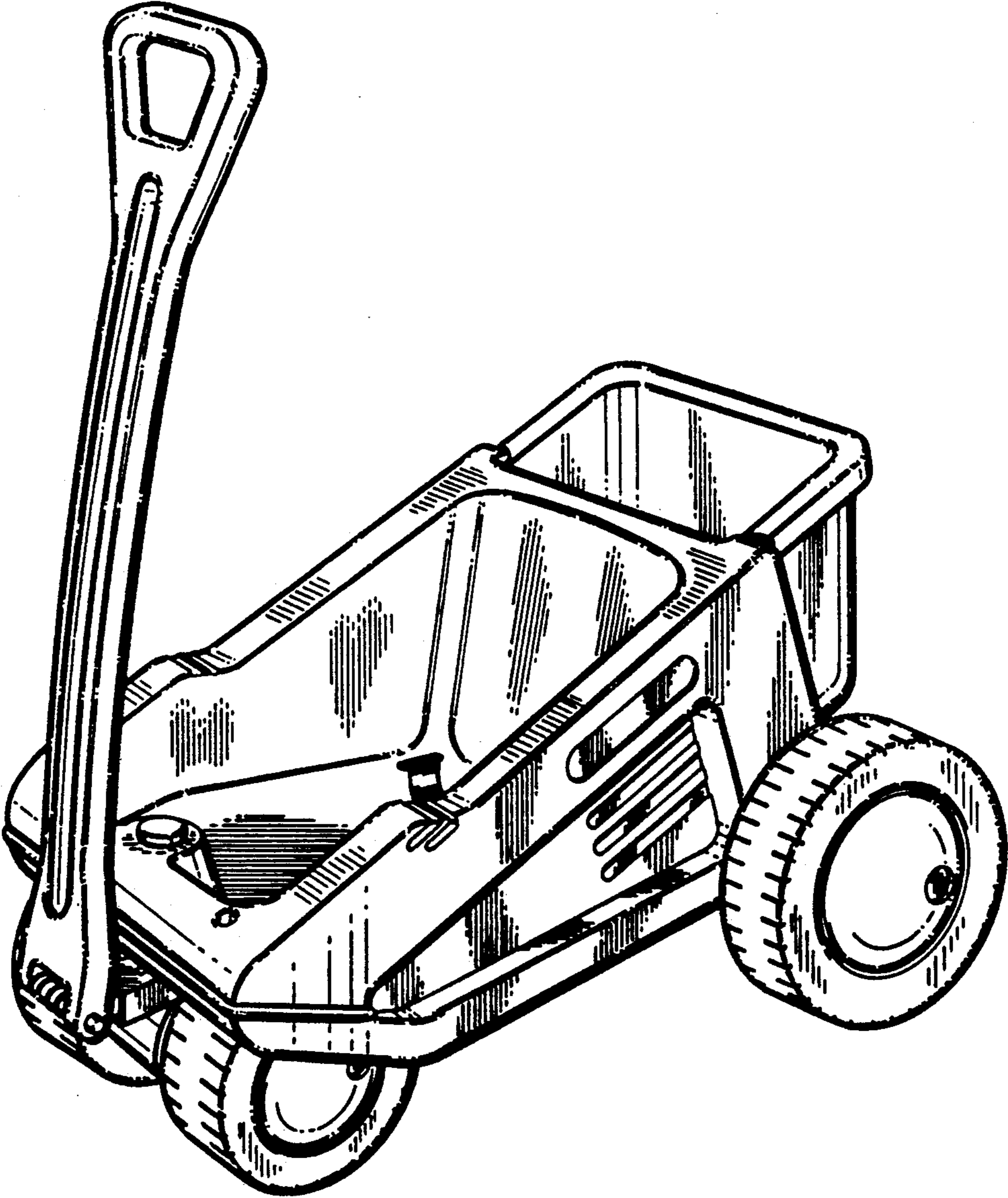


FIG. 1.



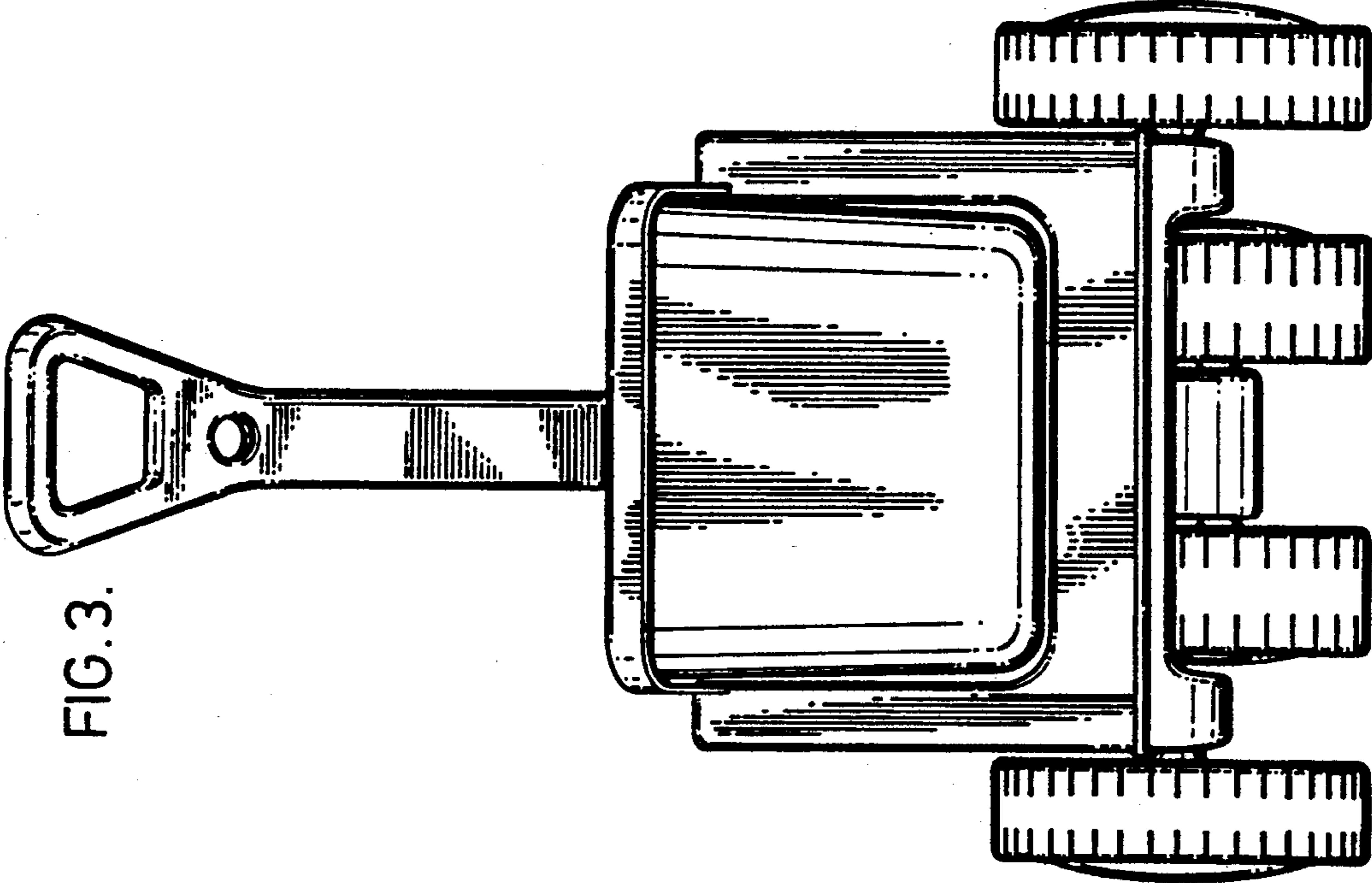


FIG. 3.

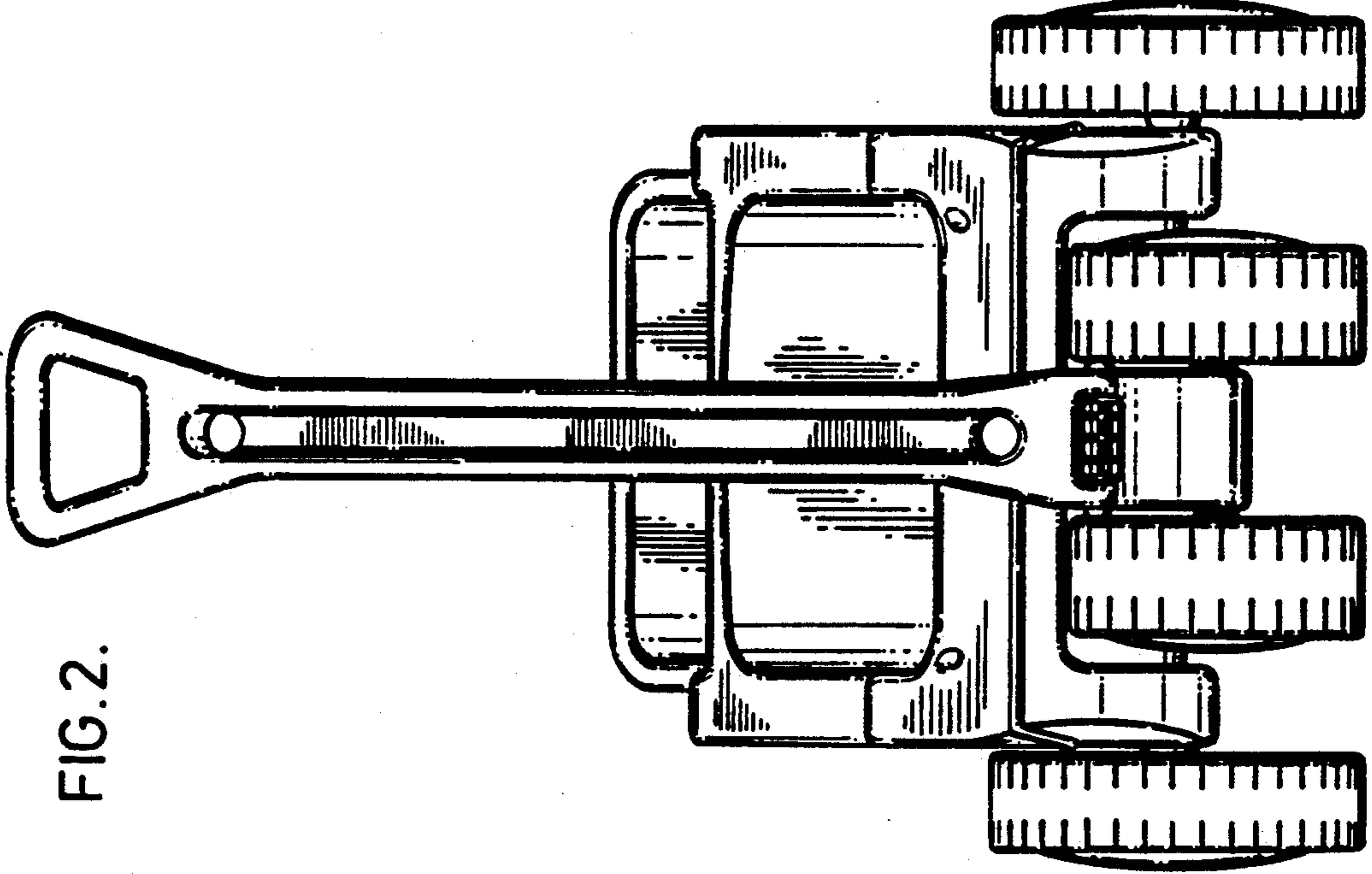


FIG. 2.

FIG. 4.

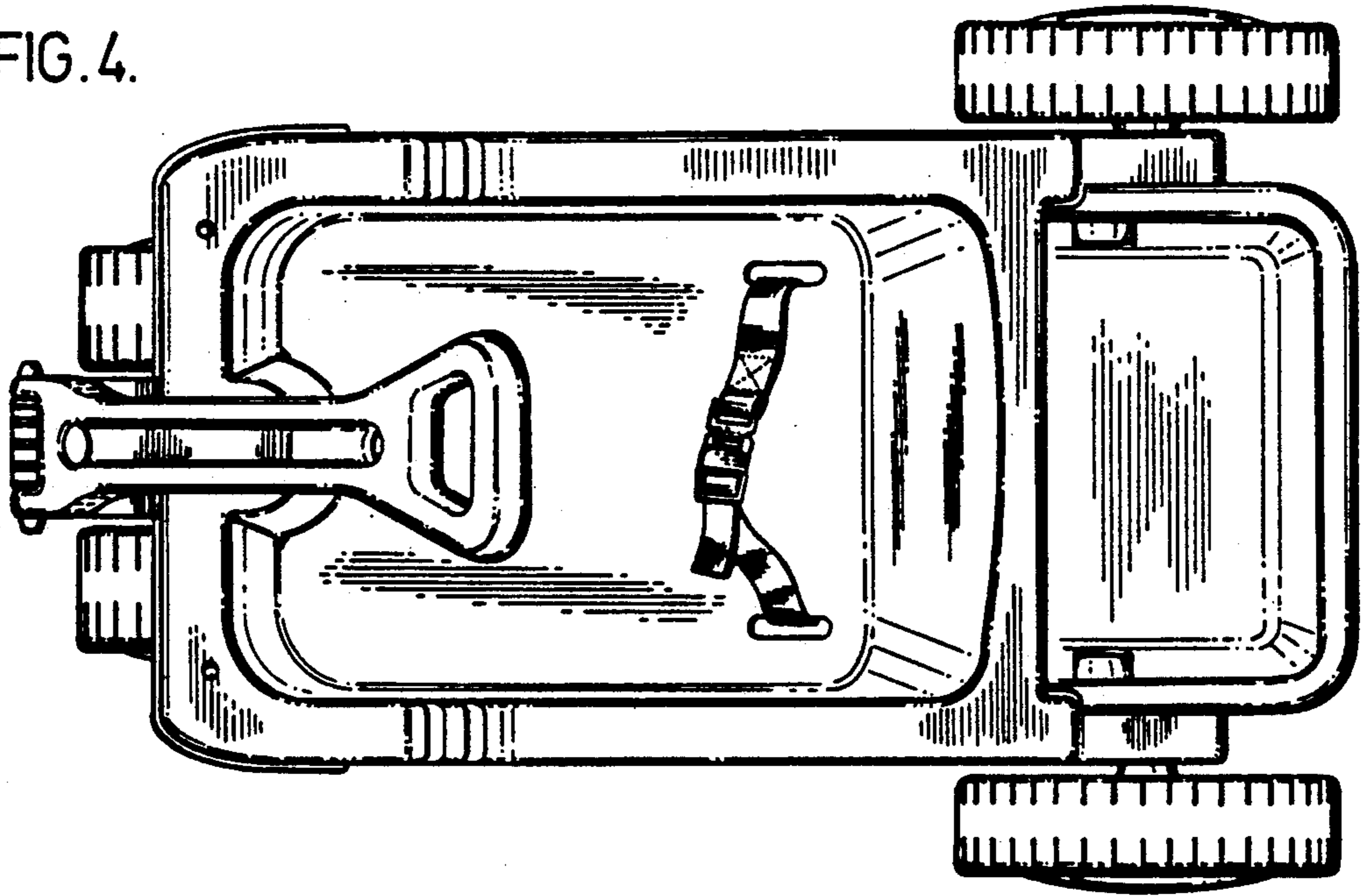


FIG. 5.

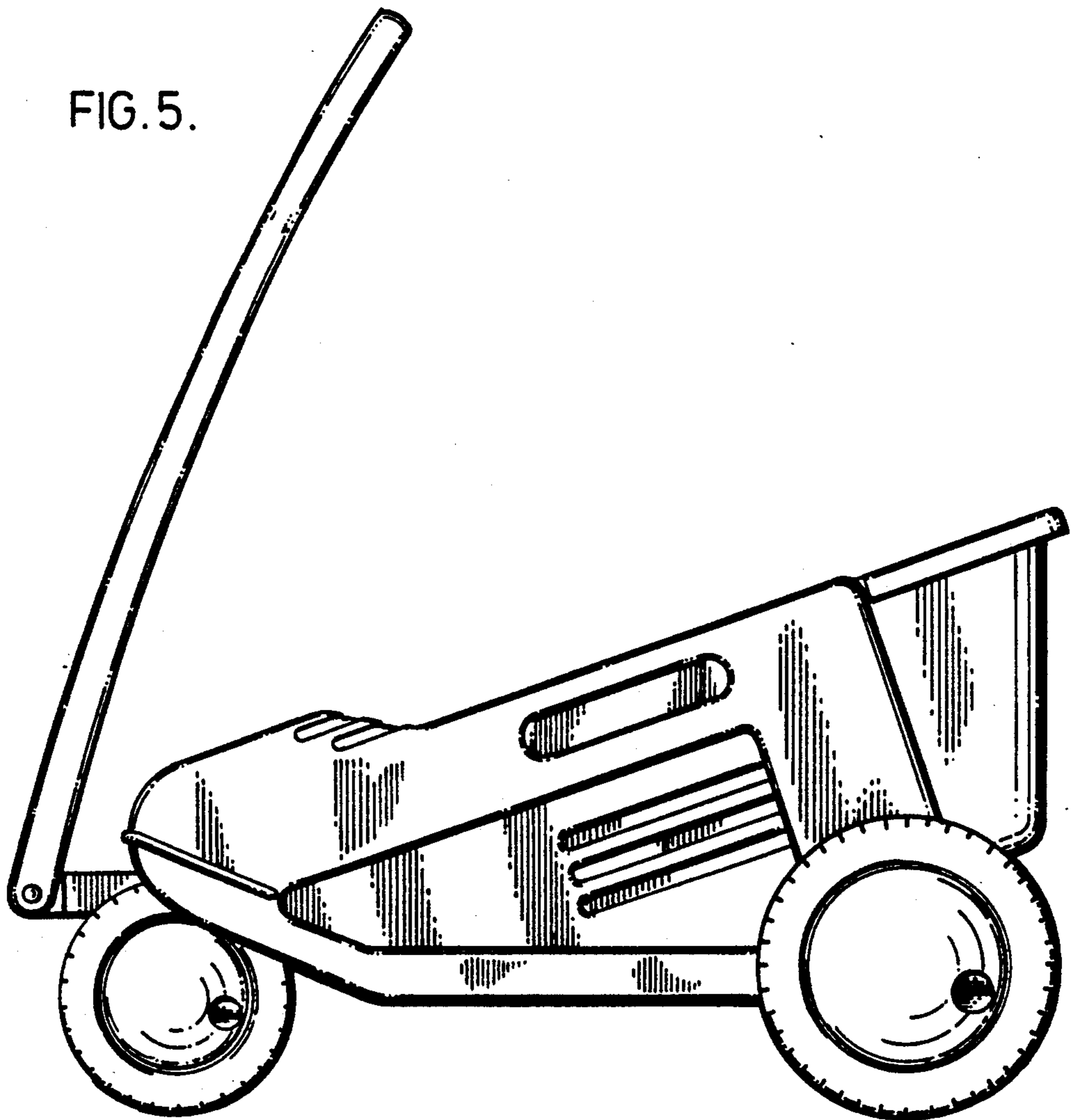


FIG. 6.

