



US00D326287S

**United States Patent** [19]  
**Grauer, Jr.**

[11] **Patent Number: Des. 326,287**  
[45] **Date of Patent: \*\* May 19, 1992**

[54] **GAME CARD HOLDER**  
[76] **Inventor: Furrell E. Grauer, Jr., W238 S3860  
Big Bend Rd., Waukesha, Wis. 53186**  
[\*\*] **Term: 14 Years**  
[21] **Appl. No.: 400,753**  
[22] **Filed: Aug. 28, 1989**  
[52] **U.S. Cl. .... D21/54**  
[58] **Field of Search ..... D21/54-58,  
D21/24, 15, 26; 273/148 R, 148 A, 149 R, 149  
P, 150, 280, 282, 281, 285, 287, 236; D7/548,  
698**

2,824,739 2/1958 Frank ..... D21/7 X  
3,550,944 12/1970 Chamberlin ..... 273/148 A X  
4,618,151 10/1986 Fadner et al. .... 273/148 A

*Primary Examiner*—Bernard Ansher  
*Assistant Examiner*—Prabhakar Deshmukh  
*Attorney, Agent, or Firm*—Joseph S. Heino

[57] **CLAIM**

The ornamental design for a game card holder, as shown and described.

**DESCRIPTION**

FIG. 1 is a left side elevational view of a game card holder showing my new design;  
FIG. 2 is a front elevational view thereof;  
FIG. 3 is a right side elevational view thereof;  
FIG. 4 is a rear elevational view thereof;  
FIG. 5 is a bottom plan view thereof;  
FIG. 6 is an enlarged top plan view thereof; and,  
FIG. 7 is a front perspective view thereof.

[56] **References Cited**  
**U.S. PATENT DOCUMENTS**

D. 296,797 7/1988 Andrews ..... D21/24  
1,781,529 11/1930 Shulman ..... 273/285 X  
2,105,837 1/1938 Mayer et al. .... 273/285 X  
2,794,641 6/1957 Baker et al. .... 273/285 X

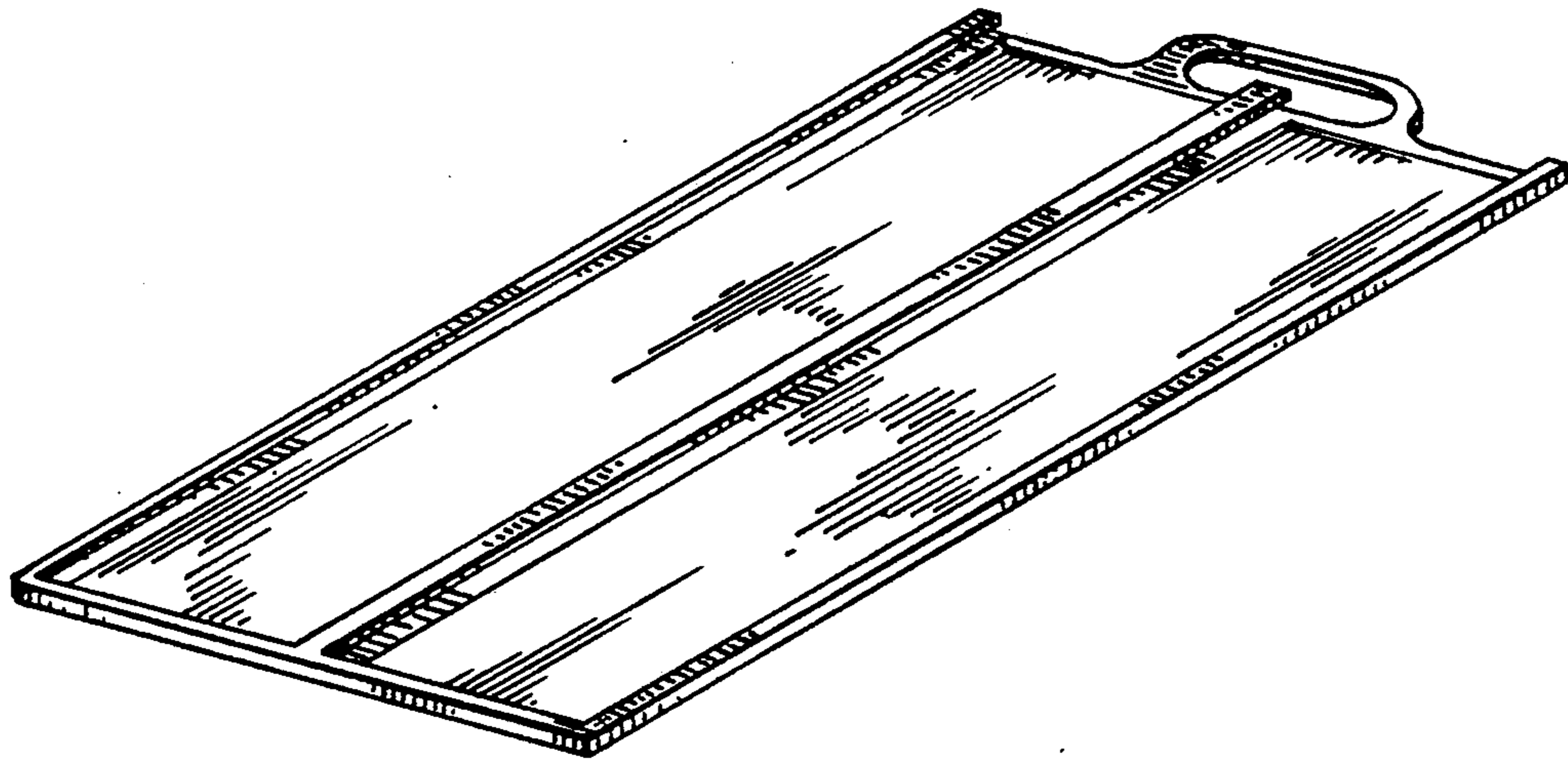


FIG. 2.



FIG. 1.

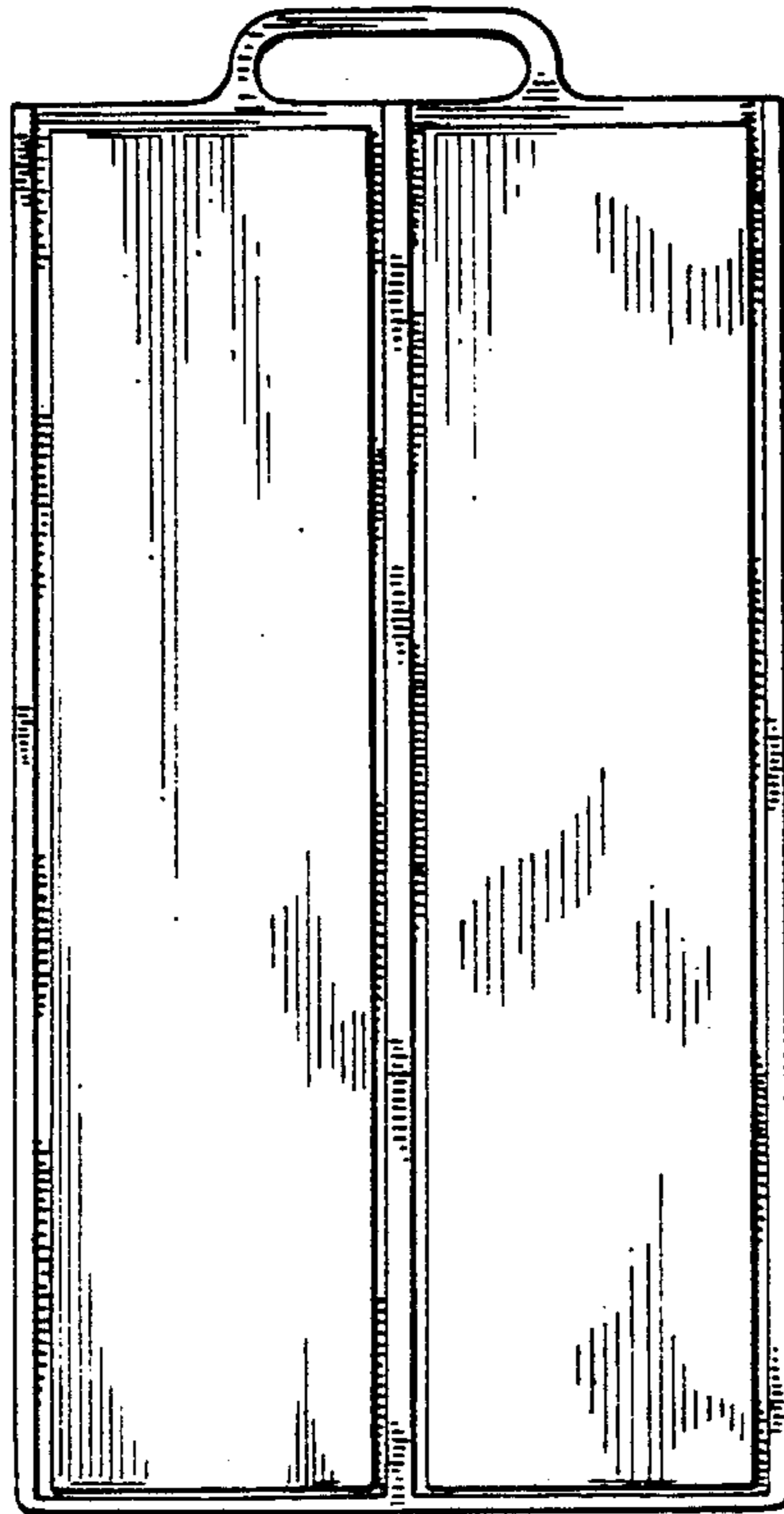


FIG. 3.



FIG. 4.

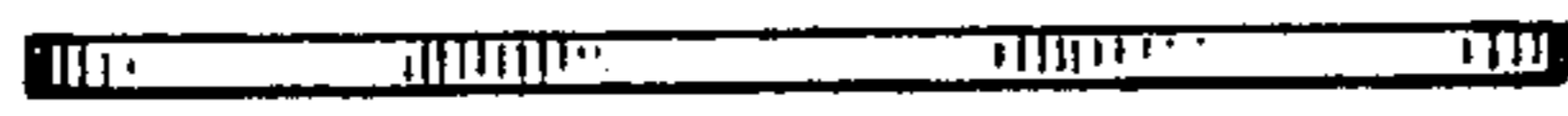
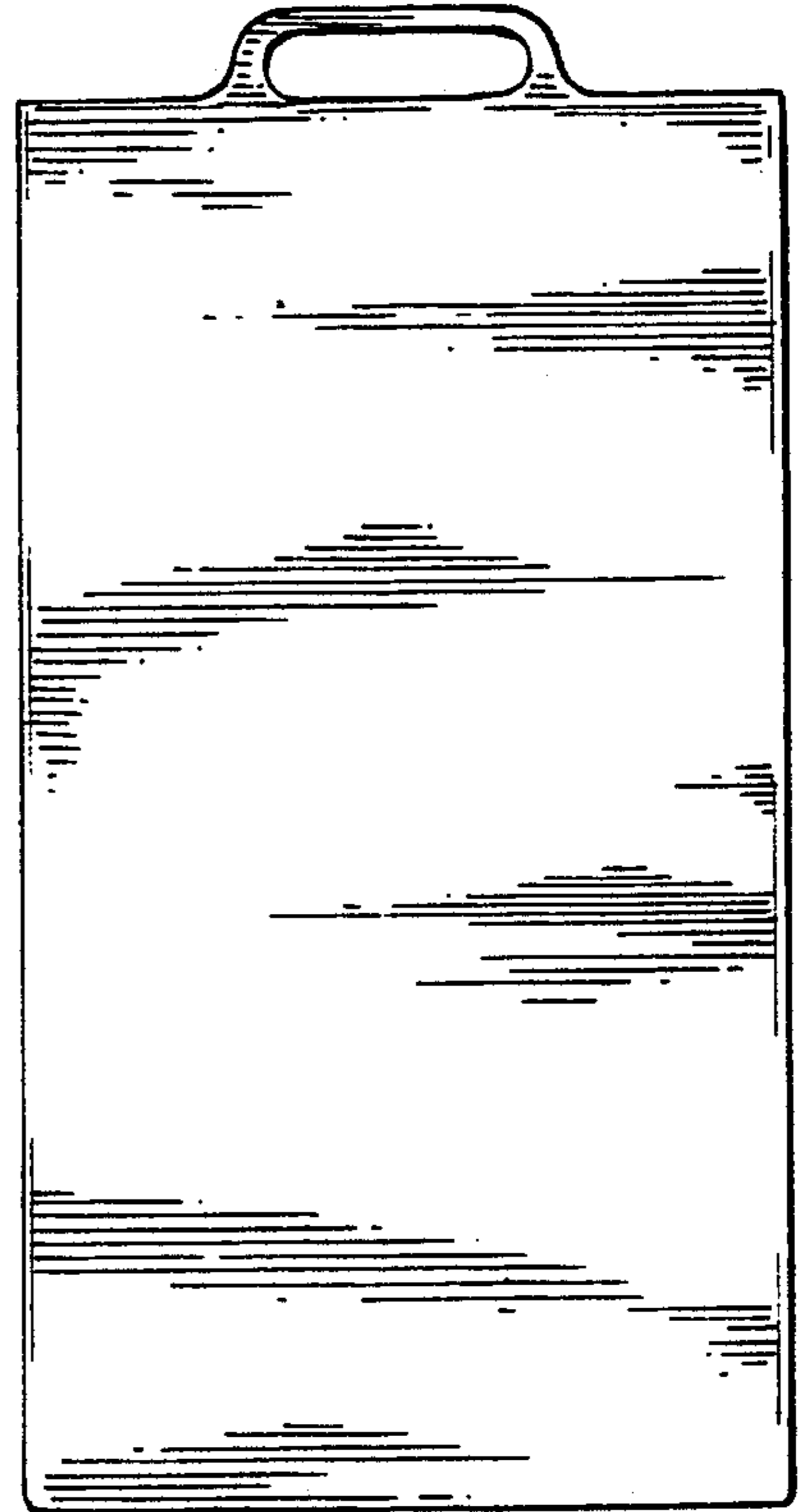


FIG. 5.



FIG. 6.

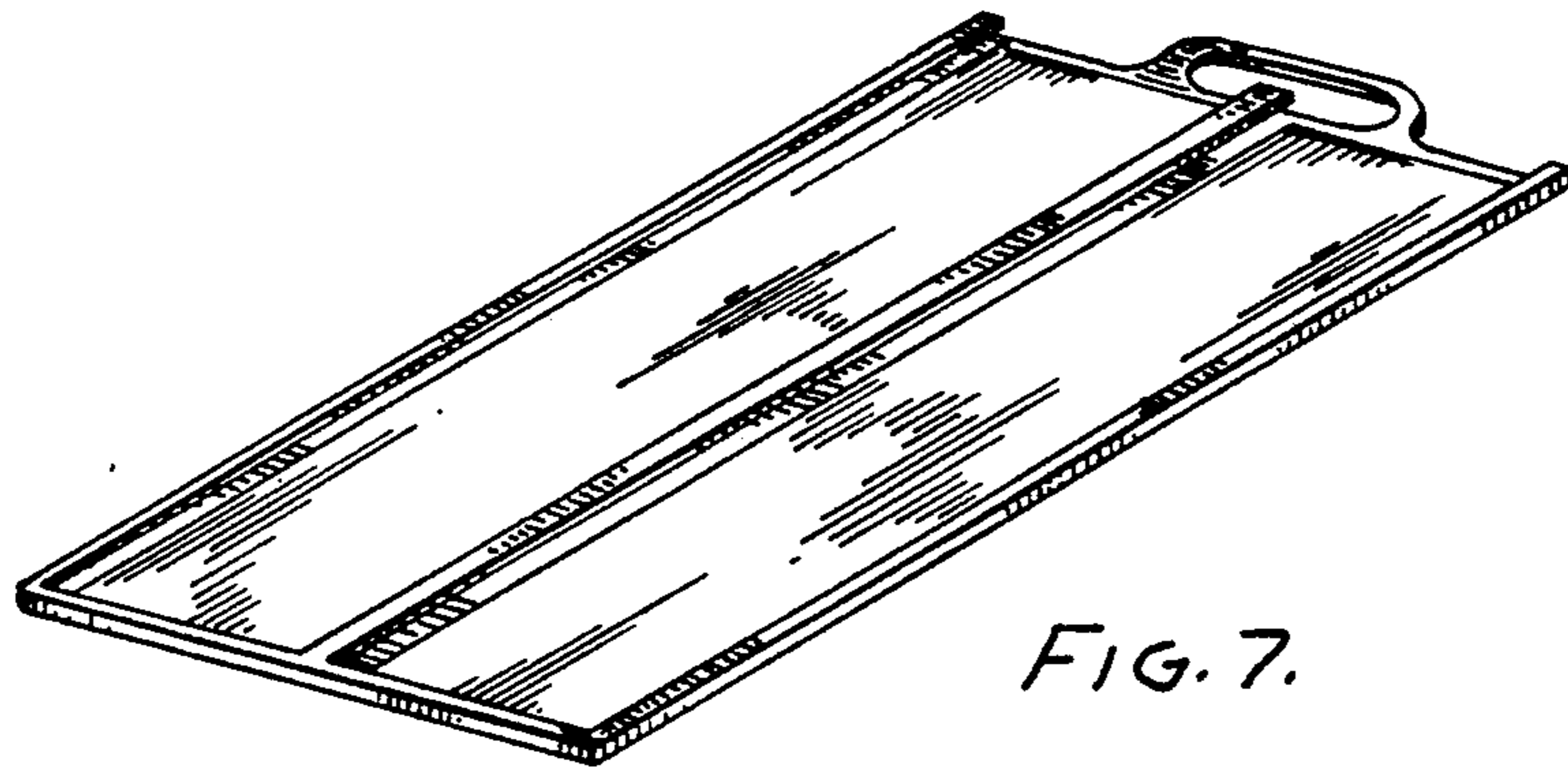


FIG. 7.