



US00D326282S

United States Patent [19]

[11] Patent Number: **Des. 326,282**

Spoljaric

[45] Date of Patent: **** May 19, 1992**

- [54] **VEHICLE MESSAGE DISPLAY SIGN**
- [75] Inventor: **Davor Spoljaric, Espoo, Finland**
- [73] Assignee: **Warrec Company, Greenwich, Conn.**
- [**] Term: **14 Years**
- [21] Appl. No.: **459,108**
- [22] Filed: **Dec. 28, 1989**
- [52] U.S. Cl. **D20/10; D26/31**
- [58] Field of Search **D26/31, 28; D20/10, D20/17, 18, 19, 39, 42, 35; 40/540, 541, 542, 544, 564, 570, 584, 591, 593; 362/812**

- 1,654,255 12/1927 Hendry 362/812
- 1,768,672 7/1930 Diffin 362/812
- 1,768,699 7/1930 Langner 362/812

Primary Examiner—Wallace R. Burke
Assistant Examiner—Marcus Jackson
Attorney, Agent, or Firm—Peter J. Phillips

[57] CLAIM

The ornamental design for a vehicle message display sign, as shown and described.

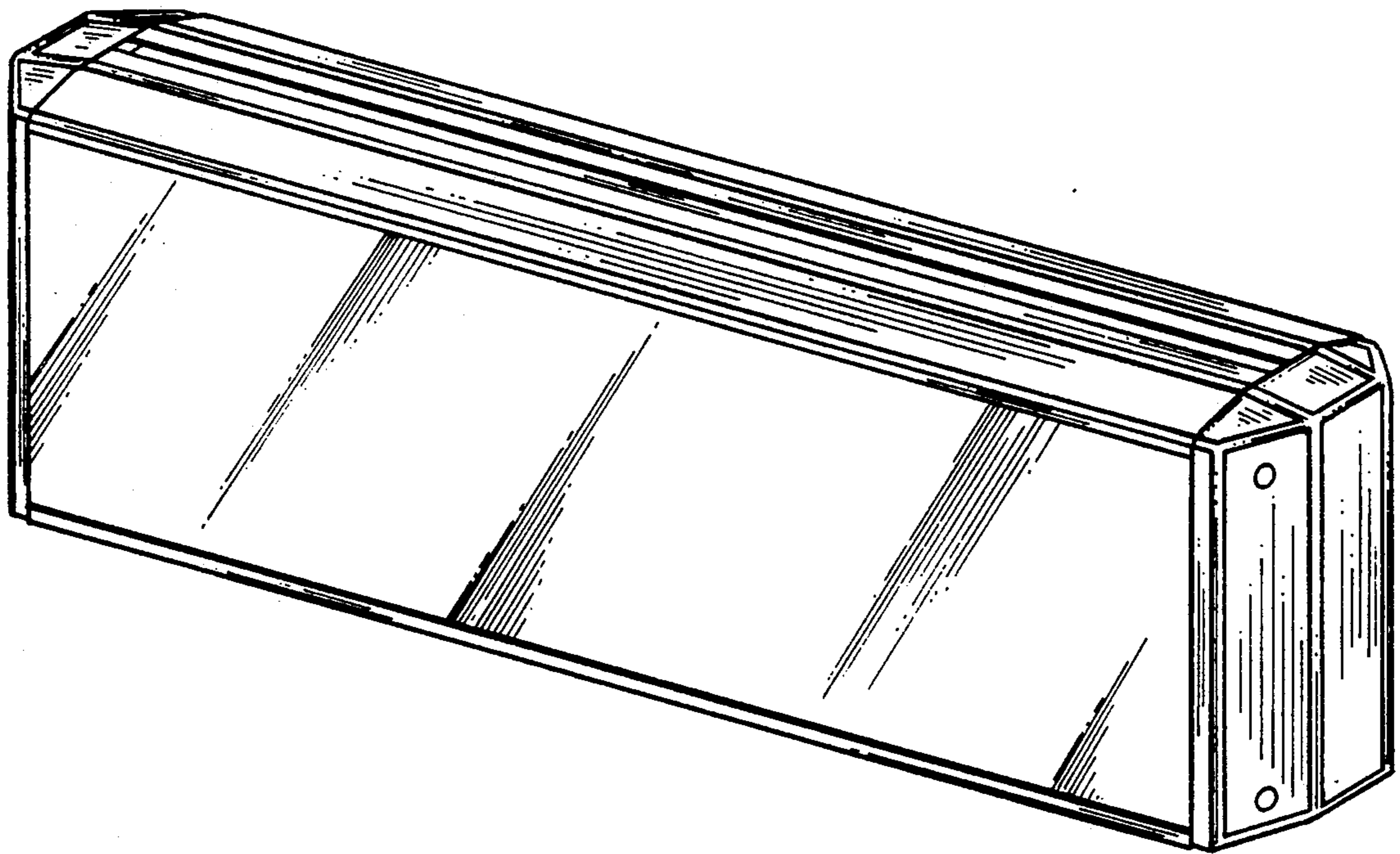
DESCRIPTION

FIG. 1 is a perspective view of a vehicle message display sign showing my new design;
 FIG. 2 is a front elevational view thereof, with the broken lines showing for illustrative purposes only and forming no part of the claimed design;
 FIG. 3 is a top plan view thereof;
 FIG. 4 is a light side elevational view thereof, with the only difference in the left side residing the omission of the apertures;
 FIG. 5 is a rear elevational view thereof; and,
 FIG. 6 is a bottom view thereof.

[56] References Cited

U.S. PATENT DOCUMENTS

- D. 161,735 1/1951 Chapman D20/42
- D. 162,637 3/1951 Ernst D20/42
- D. 313,661 1/1991 Kang D26/31
- 1,007,500 10/1911 Starr 362/812
- 1,390,561 9/1921 Kelly 40/591
- 1,565,203 12/1925 Roemer 362/812



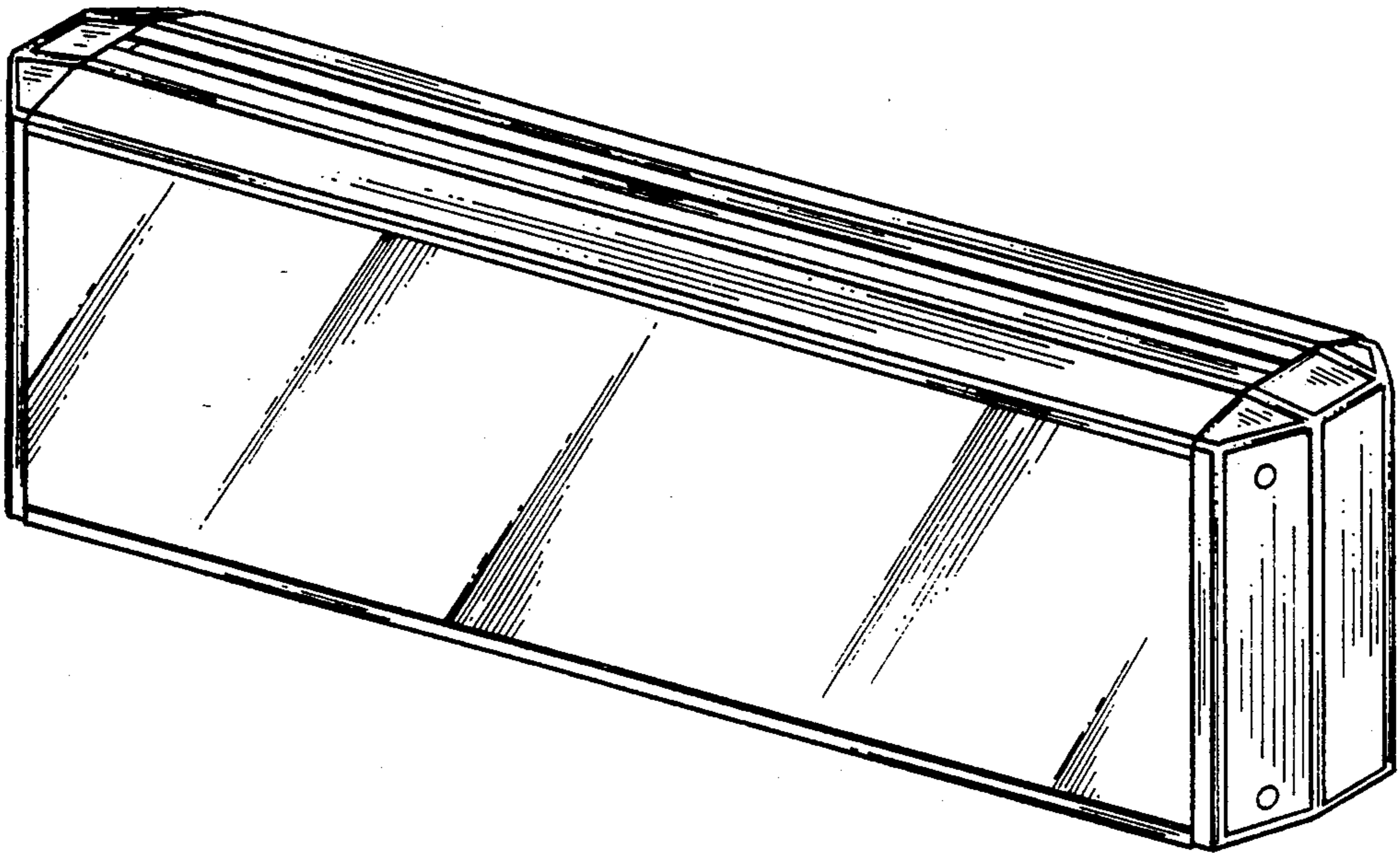


FIG. 1

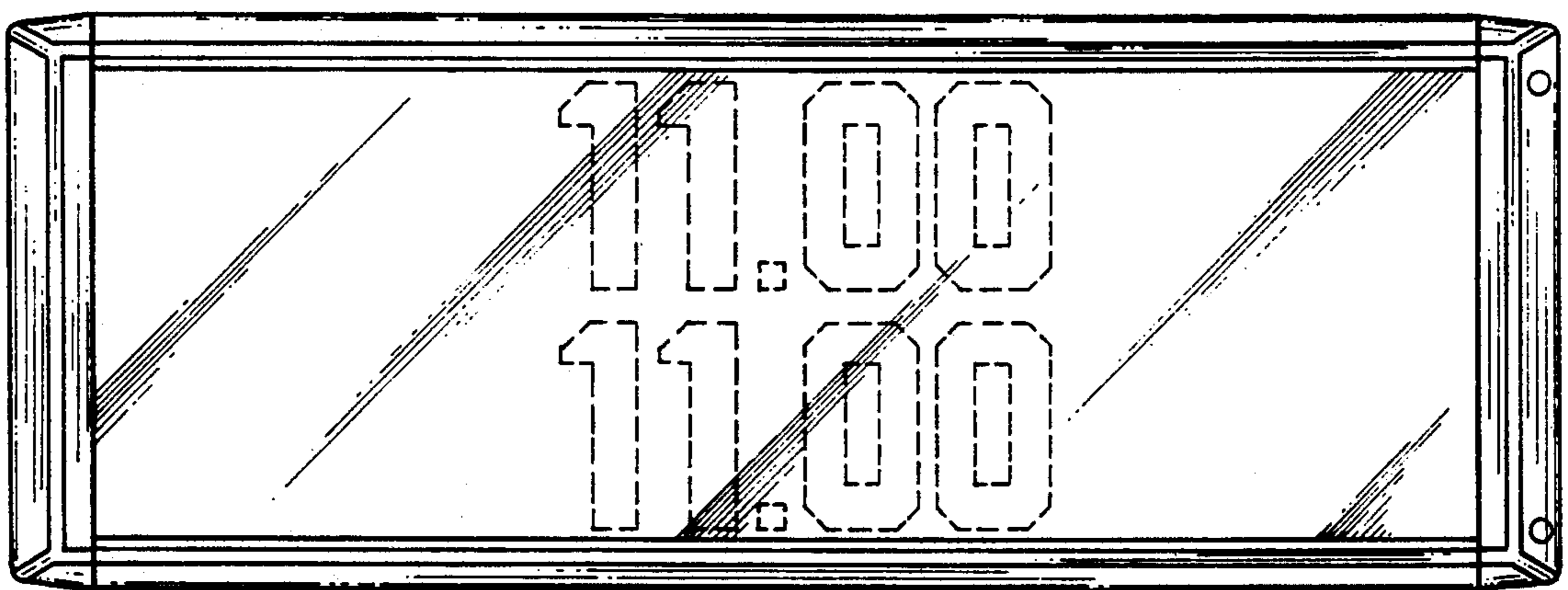


FIG. 2

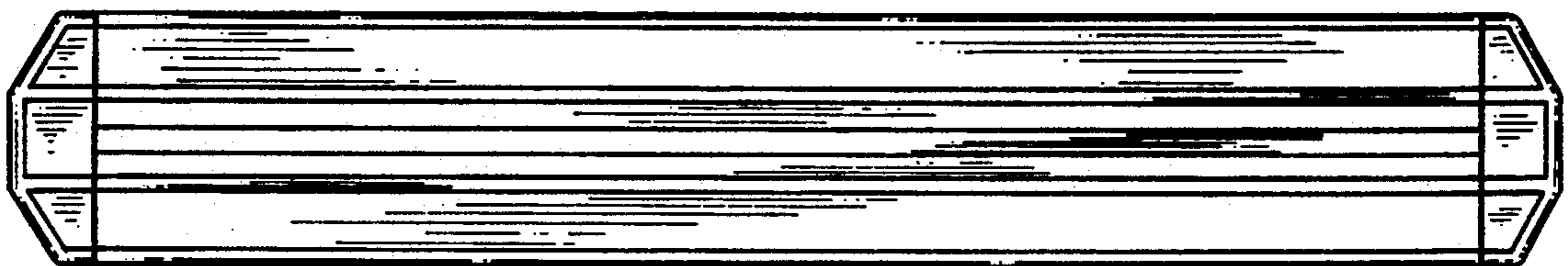


FIG. 3

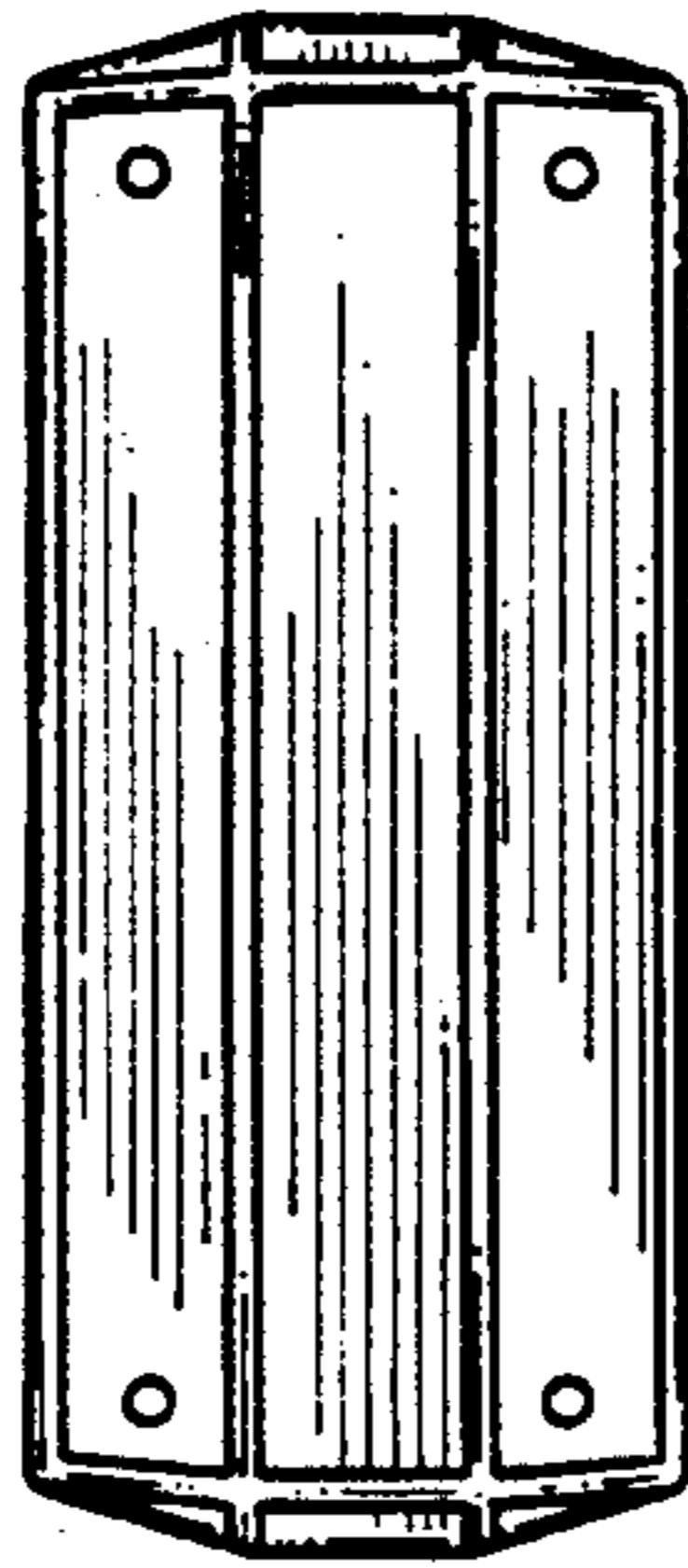


FIG. 4

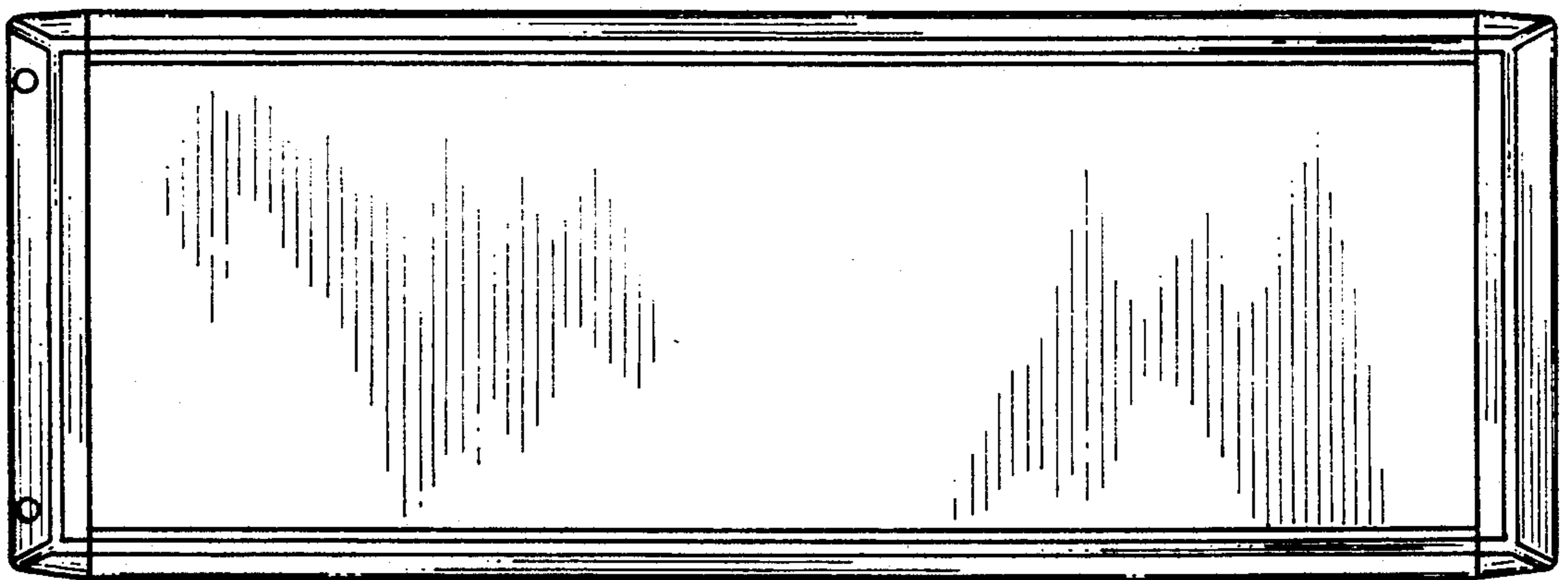


FIG. 5

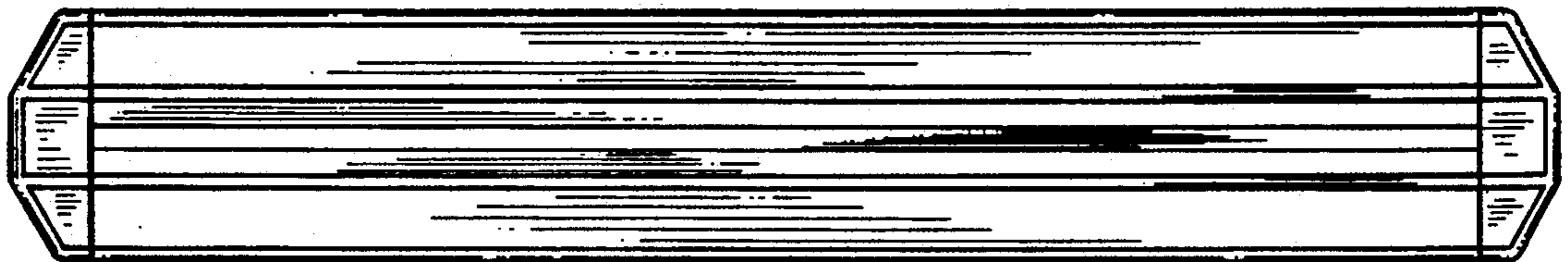


FIG. 6