



US00D326280S

United States Patent [19]

[11] Patent Number: **Des. 326,280**

Arnt-Jensen

[45] Date of Patent: **** May 19, 1992**

[54] **SUPPORTING PLATE FOR AFFIXING PAPER SHEETS**

2,363,355	11/1944	Pitt	24/67 R
3,167,329	1/1965	Ernst	24/67.3
3,419,012	12/1968	Stoddard	24/67.11
3,465,462	9/1969	Arnt-Jensen	24/67.3

[76] Inventor: **Tor Arnt-Jensen**, Postboks 1 Lunden, N-1501 Moss, Norway

FOREIGN PATENT DOCUMENTS

[**] Term: **14 Years**

811383	6/1953	Norway
105914	1/1965	Norway
115051	7/1968	Norway

[21] Appl. No.: **275,316**

[22] Filed: **Nov. 23, 1988**

[30] Foreign Application Priority Data

May 26, 1988 [NO] Norway 69392

[52] U.S. Cl. **D19/88; D19/86; D19/90**

[58] Field of Search **D19/26, 27, 65, 75, D19/86, 88, 90, 91, 99, 100; 40/341-349; 248/441.1, 442.2, 447.2, 451; 24/67 R, 67.3, 67.11**

Primary Examiner—Donald P. Walsh
Assistant Examiner—Martha Thompson
Attorney, Agent, or Firm—Darby & Darby

[57] CLAIM

The ornamental design for a supporting plate for affixing paper sheets, as shown and described.

DESCRIPTION

FIG. 1 is a bottom, left front perspective view of a supporting plate for affixing paper sheets showing my new design;

FIG. 2 is a rear elevational view;

FIG. 3 is a right side elevational view drawn to an enlarged scale;

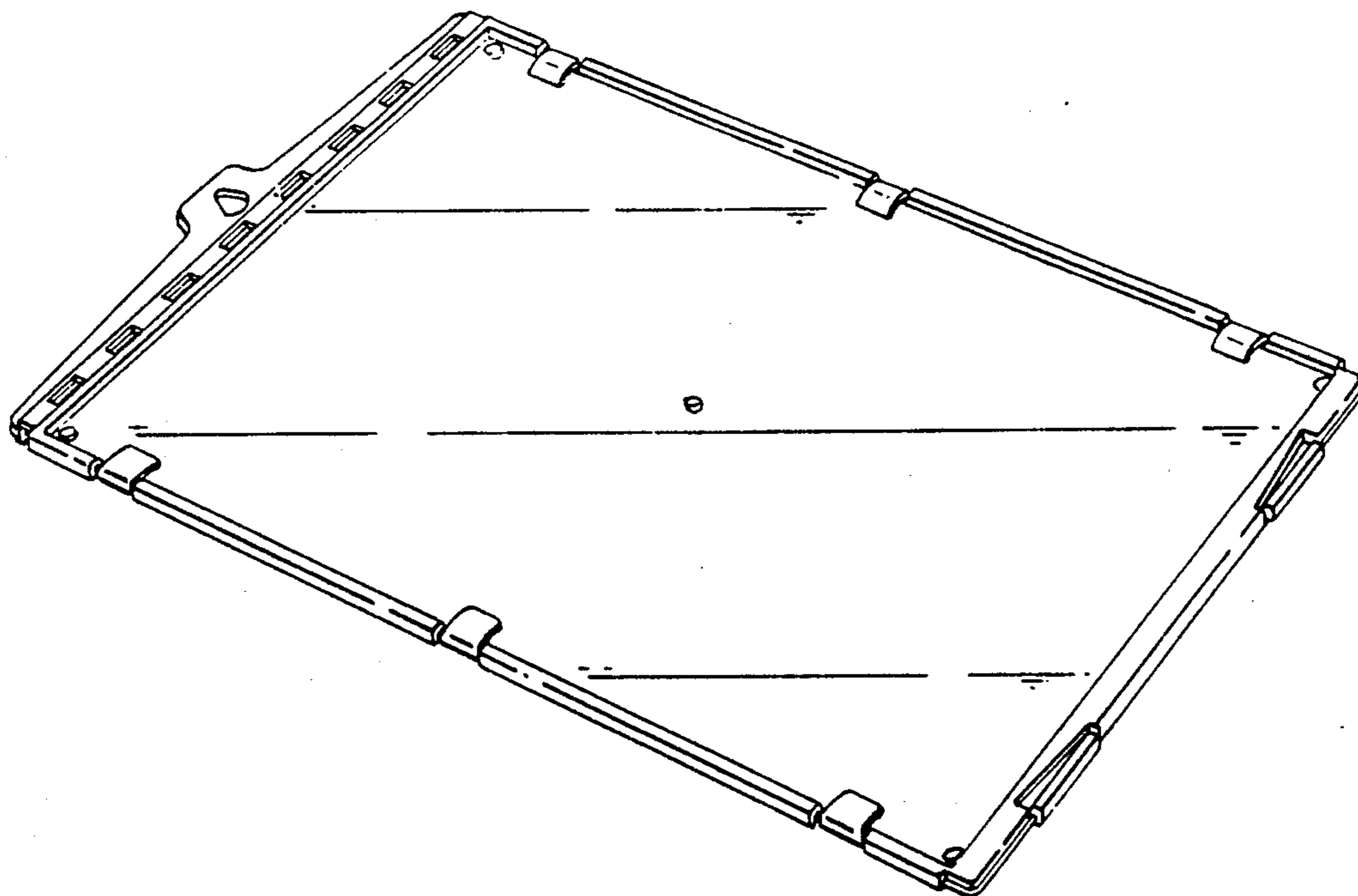
FIG. 4 is a top plan view drawn to the scale of FIG. 3; and,

FIG. 5 is a bottom, left front perspective view drawn to the scale of FIG. 1 with the paper retaining tabs on the right side thereof in a raised position.

[56] References Cited

U.S. PATENT DOCUMENTS

D. 241,786	10/1976	Berson	D19/86
D. 254,794	4/1980	Hayman et al.	D19/86
D. 262,381	12/1981	Greenlees	D19/86 X
D. 283,141	3/1986	Koves	D19/88
D. 311,930	11/1990	Groswith, III et al.	D19/26
D. 312,476	11/1990	Westendorff	D19/26 X
2,302,568	11/1942	Pitt	D19/27 X



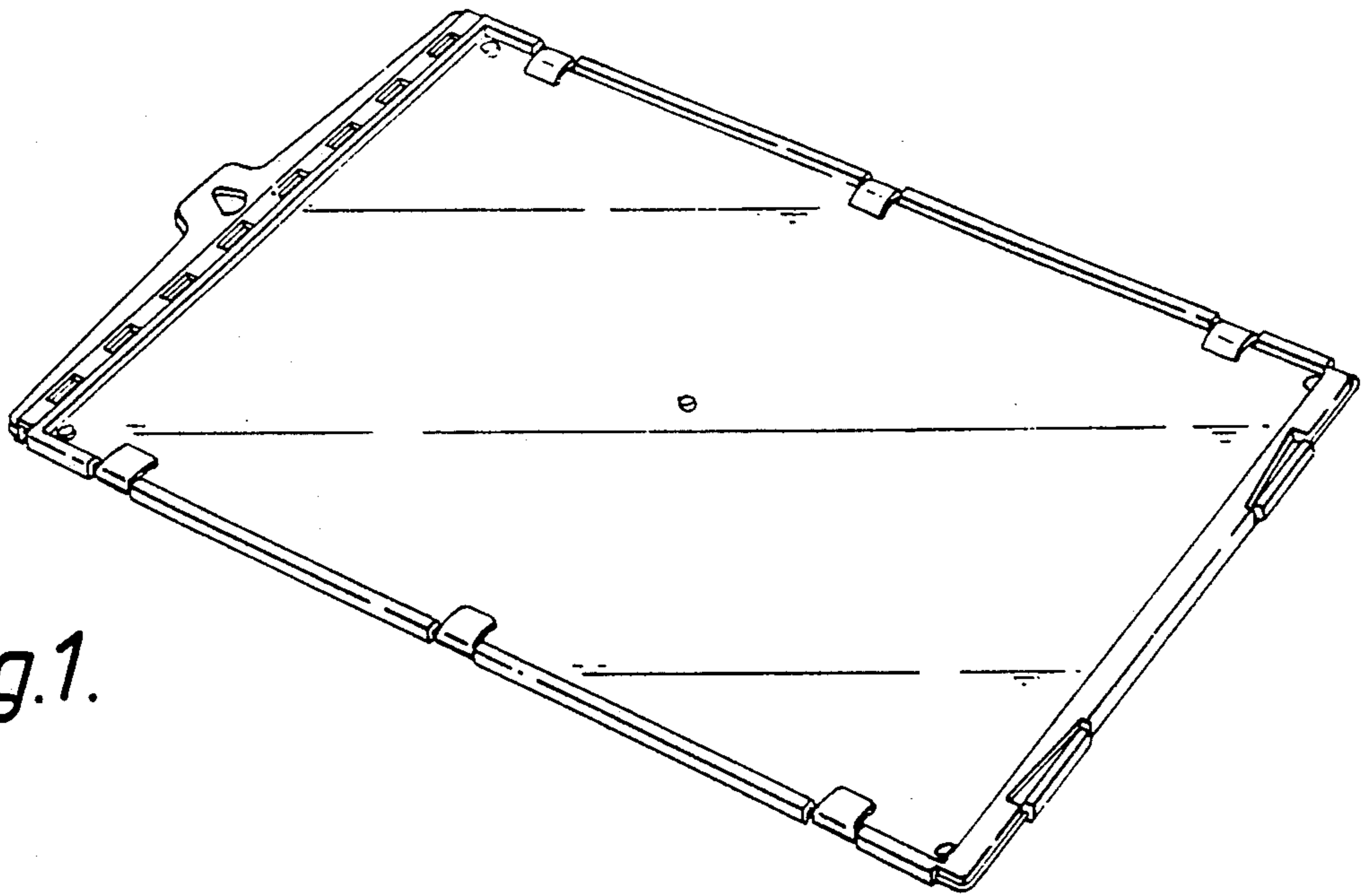


Fig.1.

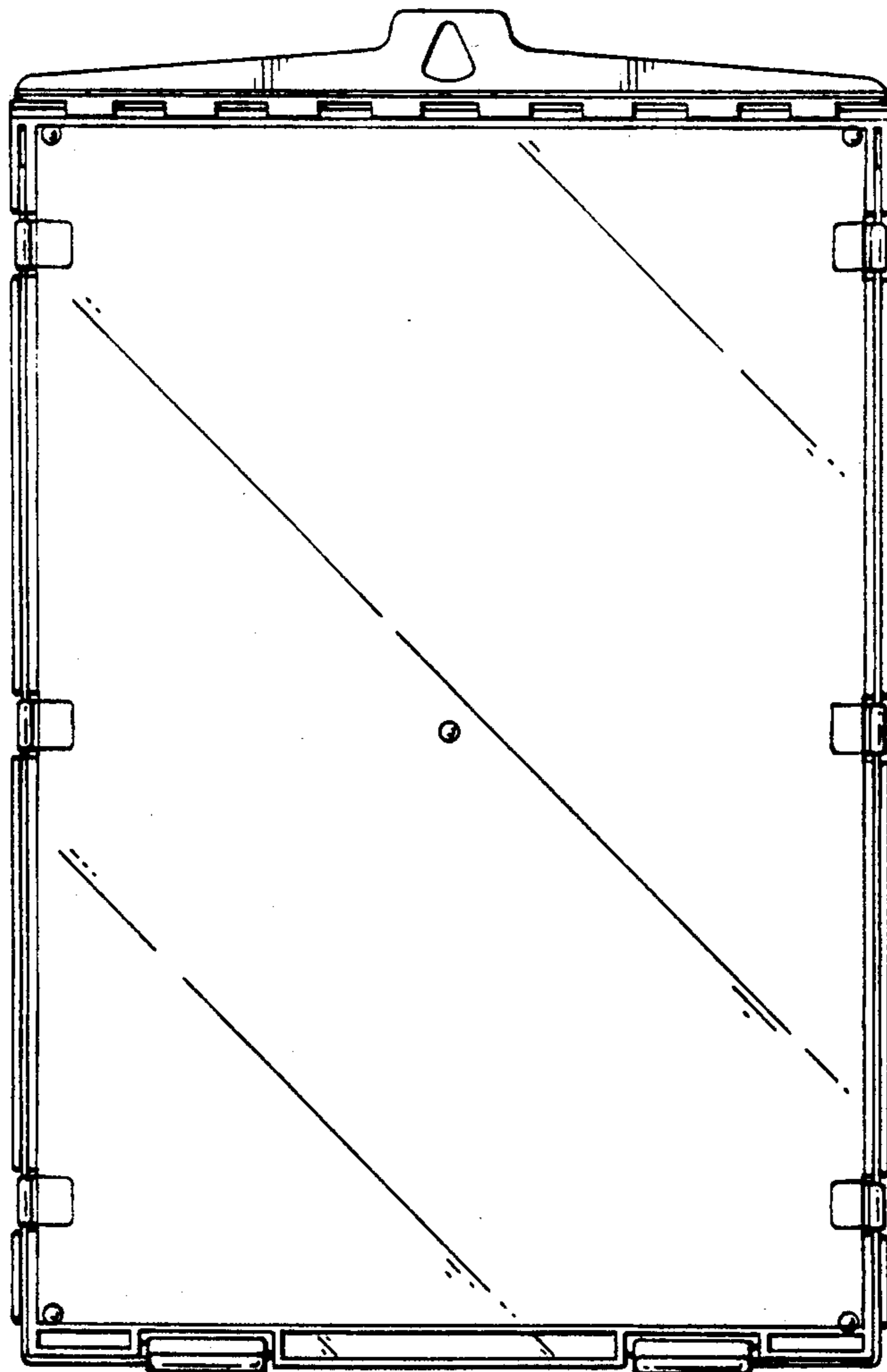


Fig.2.

Fig.3.



Fig.4.

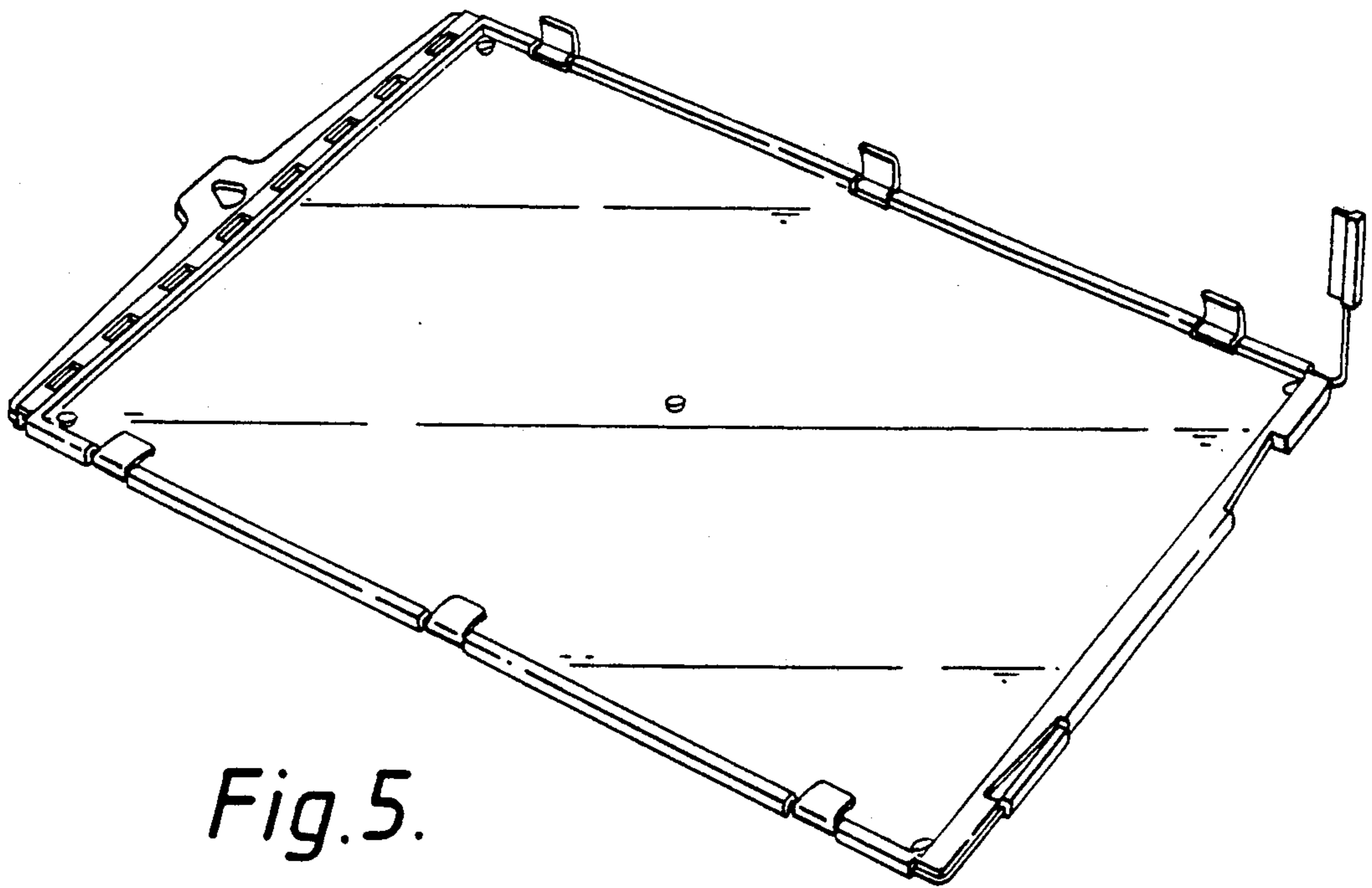


Fig. 5.