



US00D326279S

# United States Patent [19]

[11] Patent Number: **Des. 326,279**

Logan

[45] Date of Patent: **\*\* May 19, 1992**

[54] **COMBINED MULTI-PANELED EASEL AND ART DISPLAY CASE**

4,061,224 12/1977 Fuhri ..... 206/17  
4,318,471 3/1982 Hutton ..... 206/214

[76] Inventor: **Genevieve R. Logan, 627 Mauze, San Antonio, Tex. 78216**

*Primary Examiner*—Nelson C. Holtje  
*Assistant Examiner*—Martha Thompson  
*Attorney, Agent, or Firm*—John C. Stahl

[\*\*] Term: **14 Years**

[57] **CLAIM**

[21] Appl. No.: **352,813**

The ornamental design for a combined multi-paneled easel and art display case, as shown and described.

[22] Filed: **May 17, 1989**

[52] U.S. Cl. .... **D19/36; D19/35; D19/52; D3/74**

**DESCRIPTION**

[58] Field of Search ..... **D20/10; D3/73, 74; D19/35, 36, 52, 65, 86, 90, 91; 206/214, 371, 1.7-1.9; 190/900, 901; 248/444; 40/530**

FIG. 1 is a top, left front perspective view of a combined multi-paneled easel and art display case showing my new design;

[56] **References Cited**

**U.S. PATENT DOCUMENTS**

D. 221,012	6/1971	Holland et al. ....	D19/52
D. 225,588	12/1972	Testro .....	D3/74
D. 250,973	1/1979	Ramsey .....	D3/74
D. 252,535	7/1979	MacEvoy .....	D3/74
D. 270,305	8/1983	Errigo .....	D3/74
D. 270,358	8/1983	Errigo .....	D3/73 X
D. 271,027	10/1983	Tripp .....	D19/52
D. 271,919	12/1983	Duffy .....	D3/74
3,325,934	6/1967	Rhude .....	40/350

FIG. 2 is a front elevational view thereof;

FIG. 3 is a left side elevational view, the right side being a mirror image thereof;

FIG. 4 is a top plan view thereof;

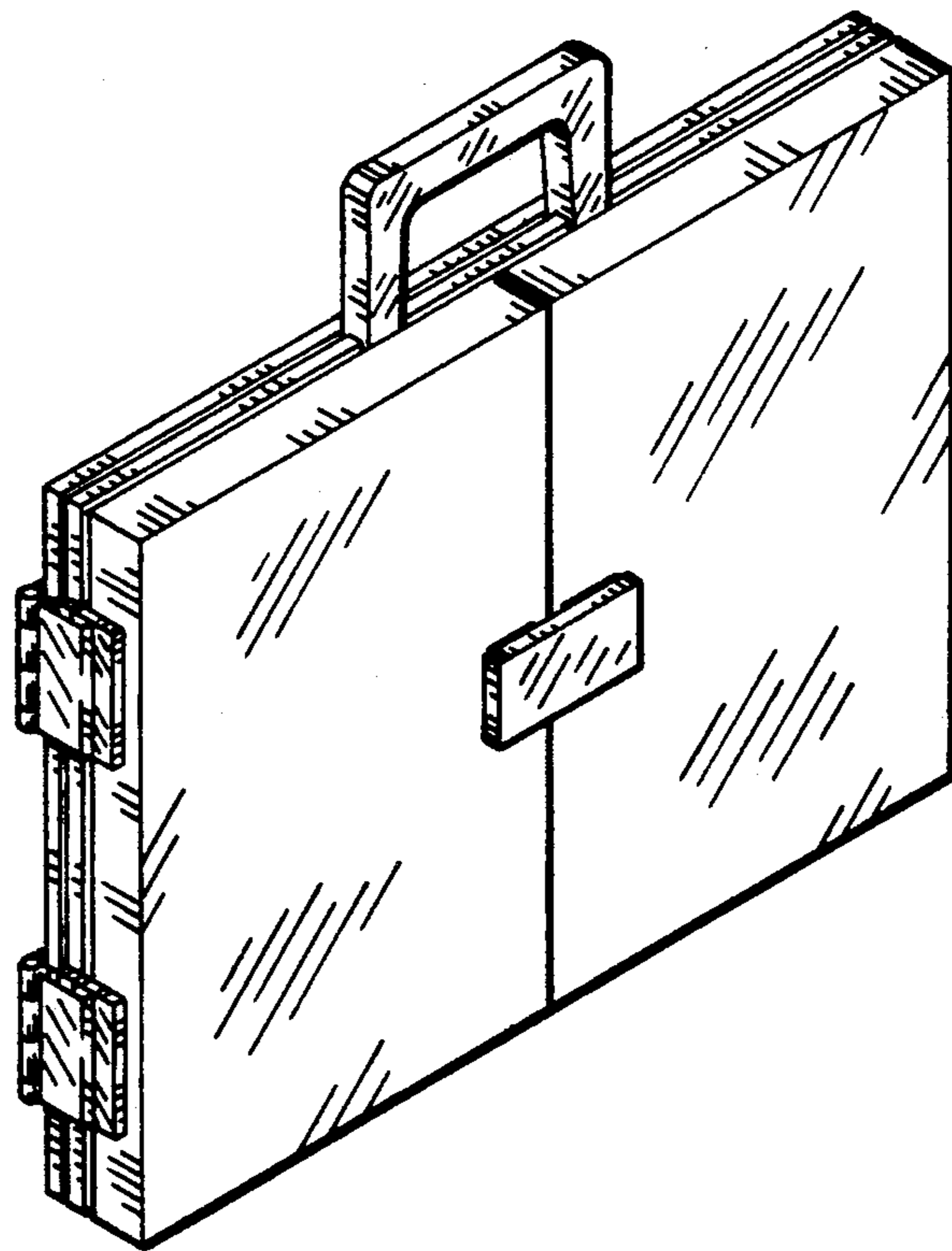
FIG. 5 is a rear elevational view thereof;

FIG. 6 is a bottom plan view thereof;

FIG. 7 is a front elevational view in a partially opened condition;

FIG. 8 is a front elevational view in a fully opened condition; and,

FIG. 9 is a front elevational view thereof in an alternate partially opened condition.



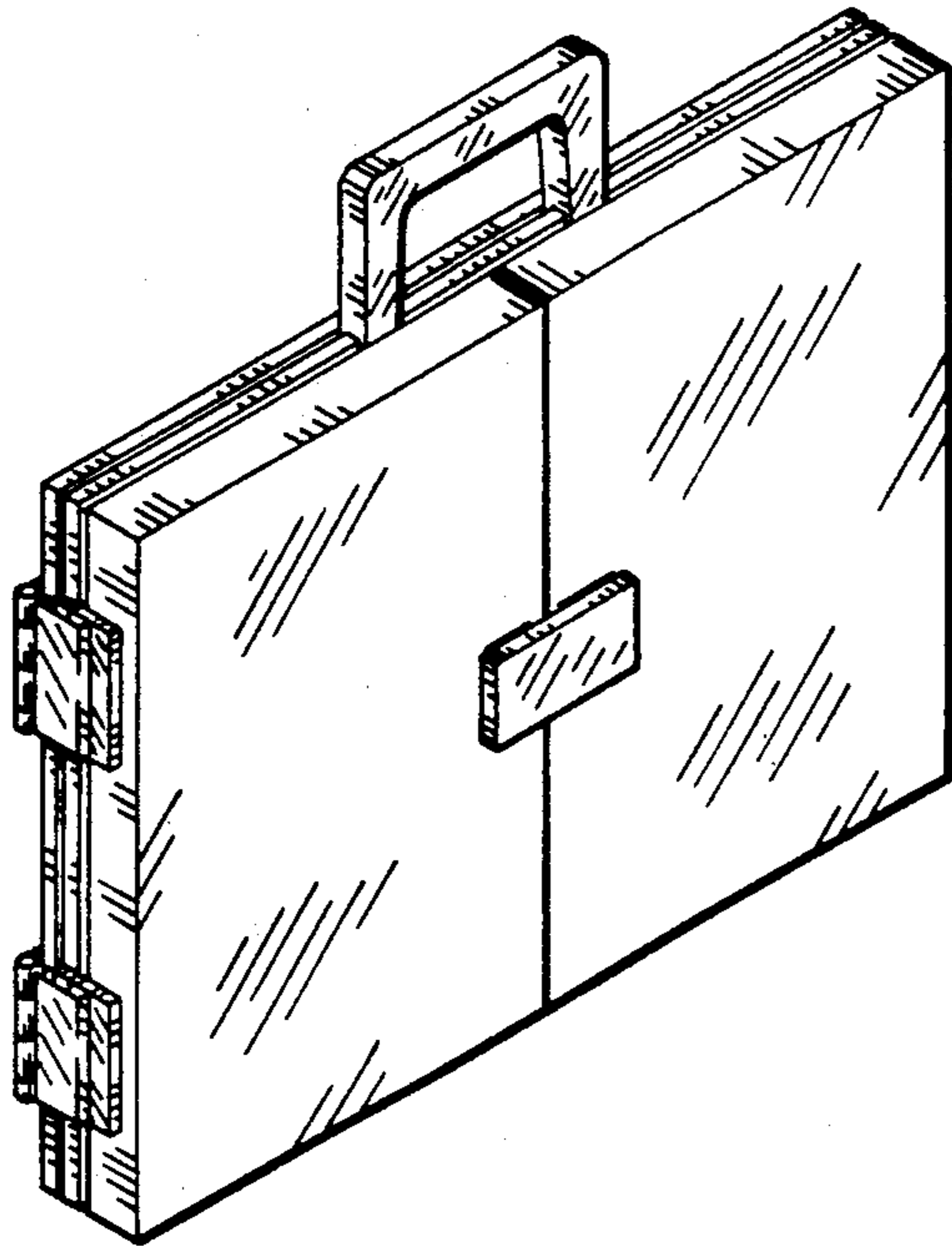


FIG. 1

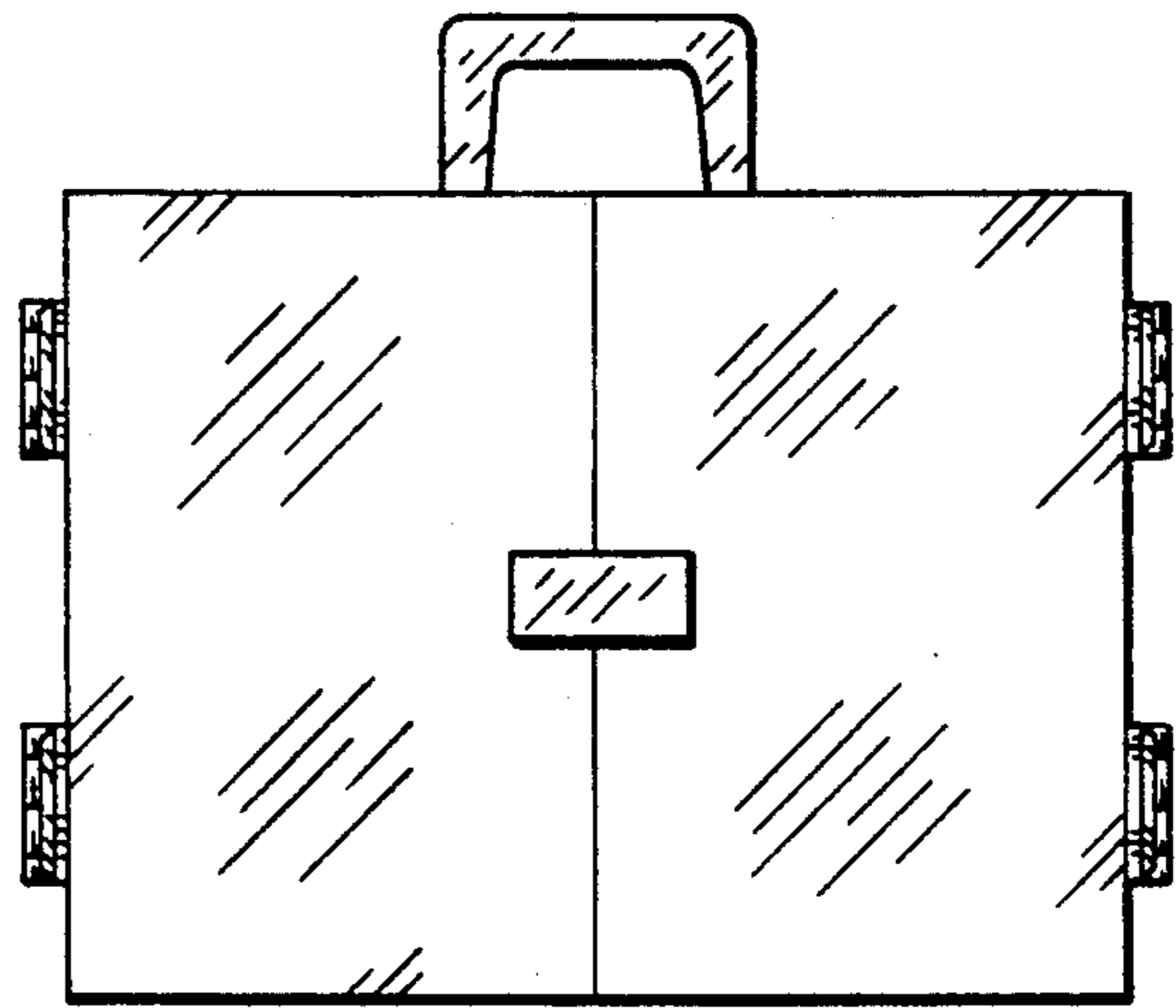


FIG. 2



FIG. 3



FIG. 4

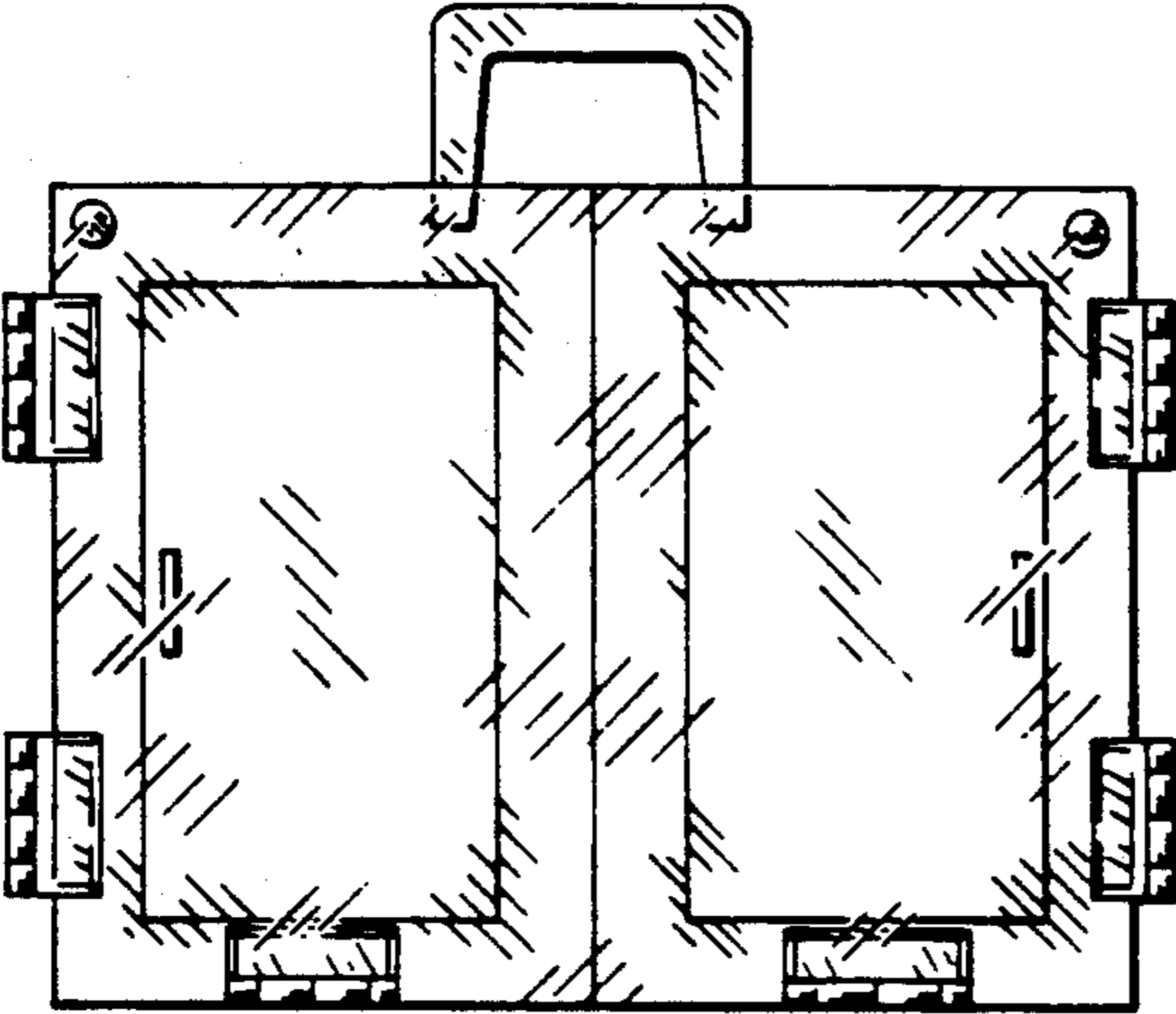


FIG. 5

FIG. 6

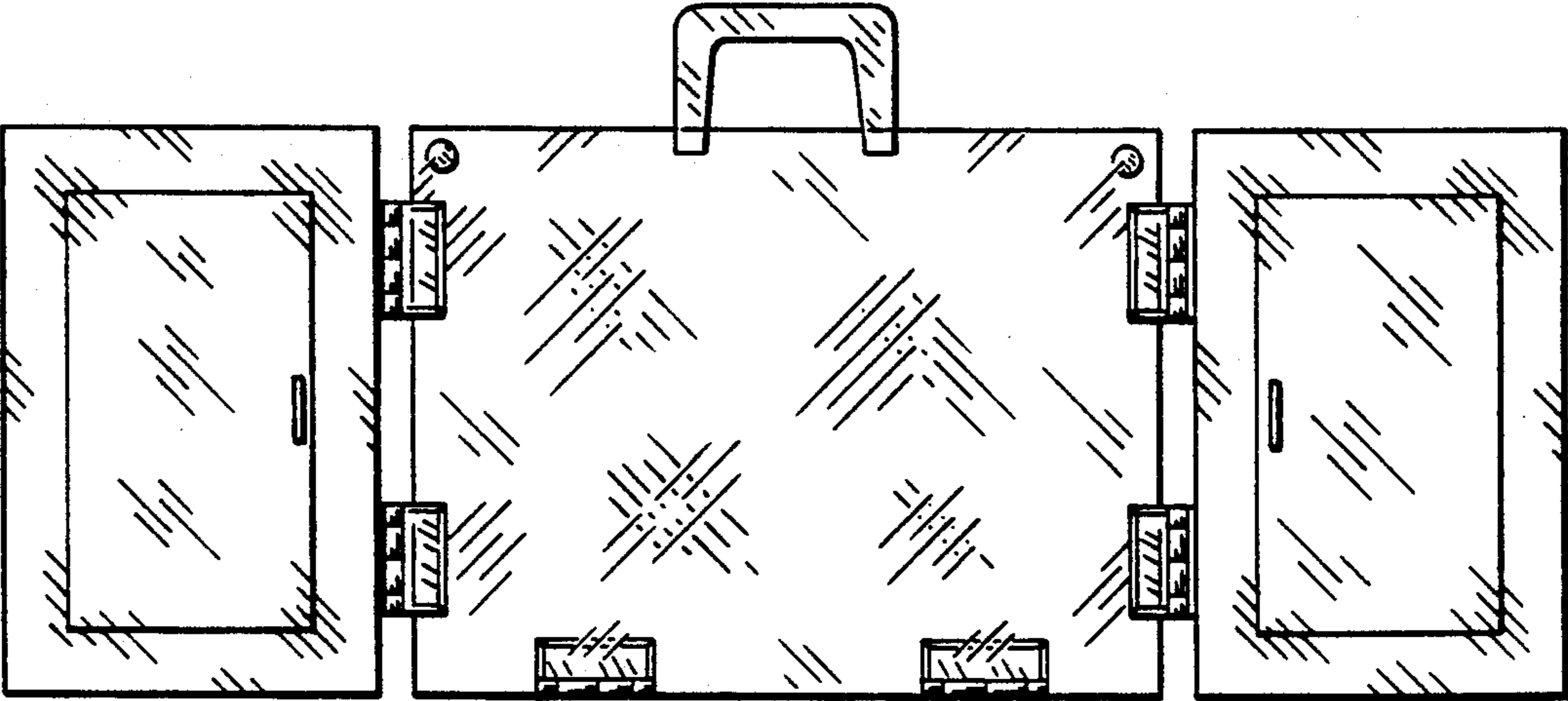


FIG. 7

