



US00D326277S

# United States Patent [19]

[11] Patent Number: **Des. 326,277**

Lund

[45] Date of Patent: **\*\* May 19, 1992**

[54] **PAPER TRIMMER FOR TEARING AWAY EDGES OF PERFORATED COMPUTER PAPER**

3,064,512	11/1962	Zurlo	83/452
3,127,805	4/1964	Parstorfer	83/456
4,741,105	5/1988	Wong	D8/104 X
4,754,676	7/1988	Wessels	83/588 X
4,967,628	11/1990	Judd et al.	83/465 X

[75] Inventor: **William J. Lund, Stockton, Calif.**

[73] Assignee: **Lund Company, Ltd., Stockton, Calif.**

[\*\*] Term: **14 Years**

[21] Appl. No.: **479,591**

[22] Filed: **Feb. 13, 1990**

[52] U.S. Cl. .... **D18/34; D8/102; D19/72; D19/65**

[58] Field of Search ..... **D19/65, 72, 99, 100; D18/34, 99; D8/61, 102, 104; 83/167, 462, 465, 468.2, 468.5, 468.6, 468.7, 455, 456, 564, 585, 607, 609, 614, 635, 636; 225/1**

[56] **References Cited**

**U.S. PATENT DOCUMENTS**

D. 173,763	12/1954	Pittaro	D8/102
D. 263,276	3/1982	Takagi	D8/102 X
D. 265,718	8/1982	Stoekli	D8/102 X
D. 303,211	9/1989	Rosenfeld	D8/102
D. 306,249	2/1990	Tamada et al.	D18/34 X
D. 306,551	3/1990	Yuen	D8/104
D. 317,939	7/1991	Judd et al.	D18/34

*Primary Examiner*—Bruce W. Dunkins  
*Assistant Examiner*—Martha Thompson  
*Attorney, Agent, or Firm*—Walter A. Hackler

[57] **CLAIM**

The ornamental design for a paper trimmer for tearing away edges of perforated computer paper, as shown and described.

**DESCRIPTION**

FIG. 1 is a top, left front perspective view of a paper trimmer for tearing away edges of perforated computer paper showing my new design, with the cover member in an opened condition;  
FIG. 2 is a top, left front perspective view with the cover member in a closed condition;  
FIG. 3 is a top plan view of FIG. 2;  
FIG. 4 is a bottom plan view of FIG. 2;  
FIG. 5 is a left side elevational view of FIG. 2;  
FIG. 6 is a front elevational view of FIG. 2;  
FIG. 7 is a right side elevational view of FIG. 2; and,  
FIG. 8 is a rear elevational view of FIG. 2.

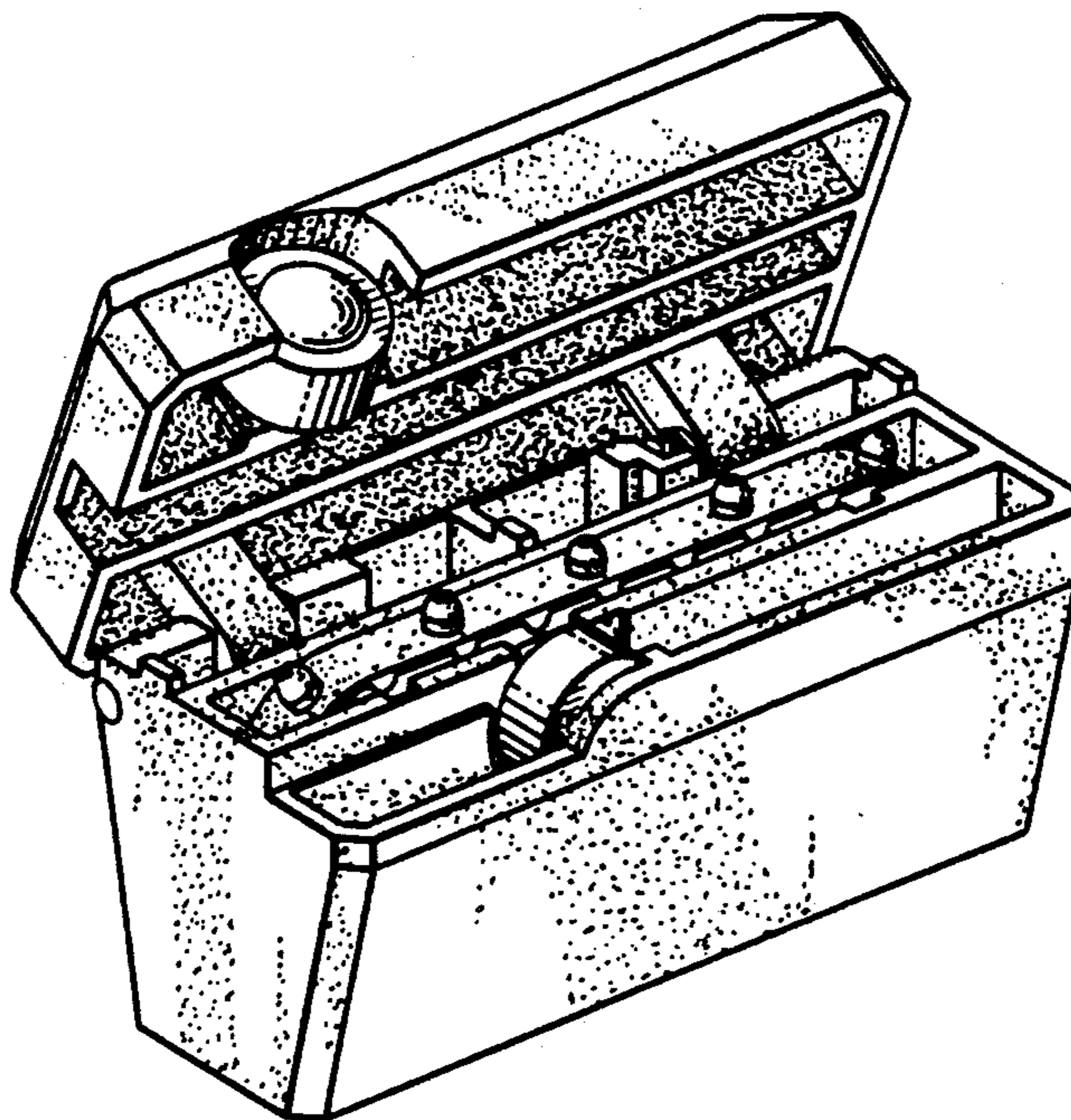


FIG. 1.

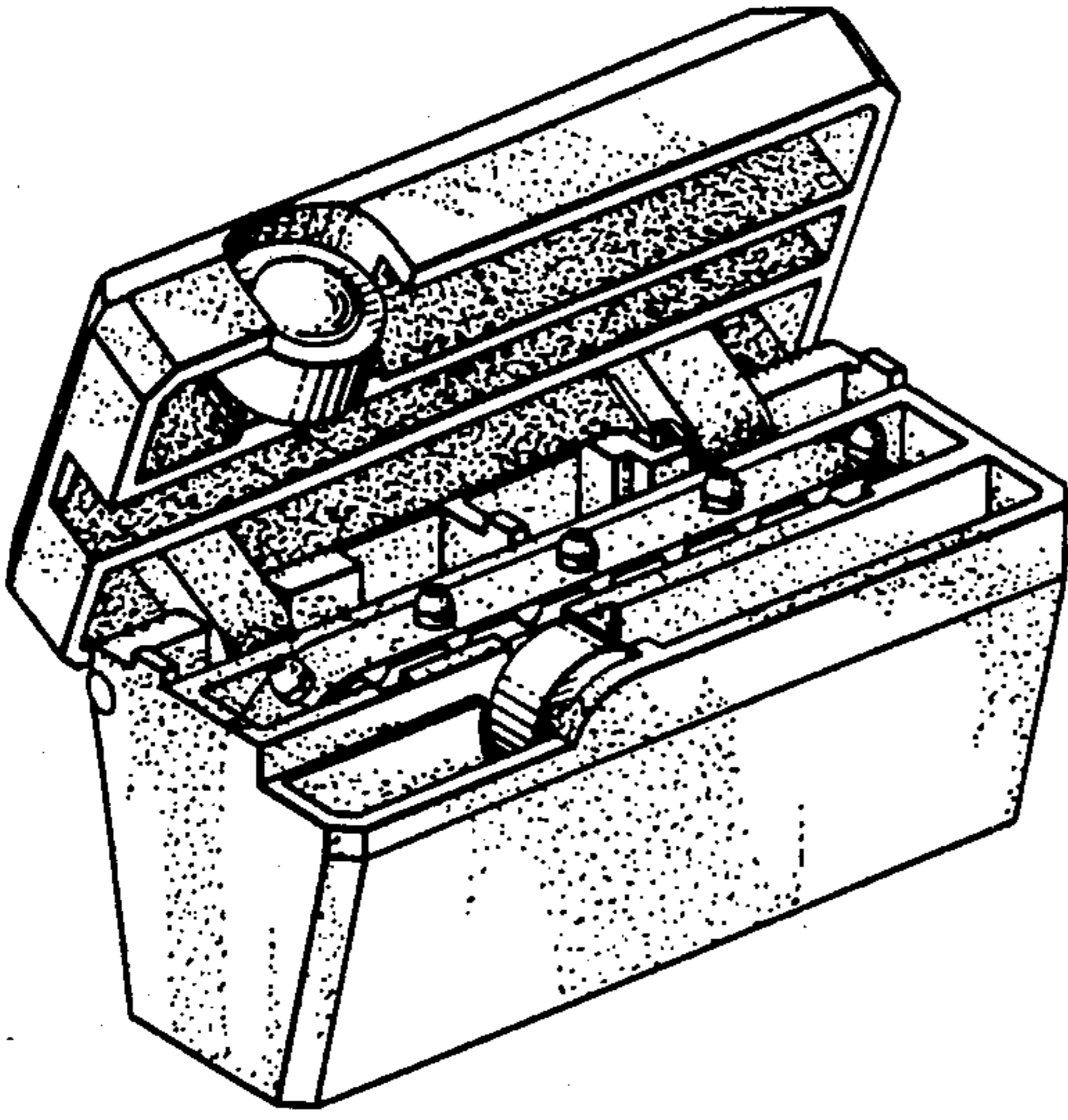


FIG. 2.

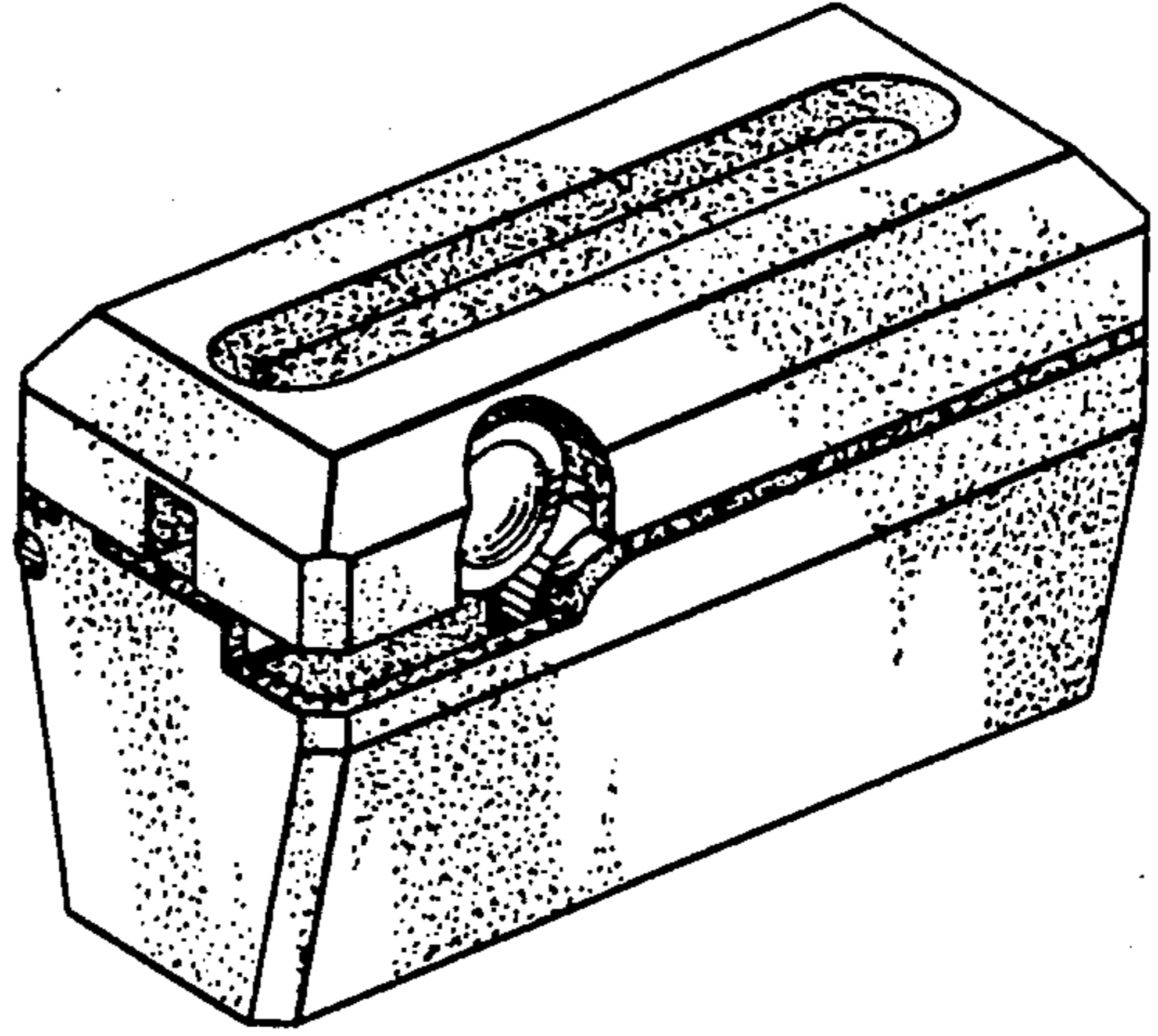


FIG. 3.

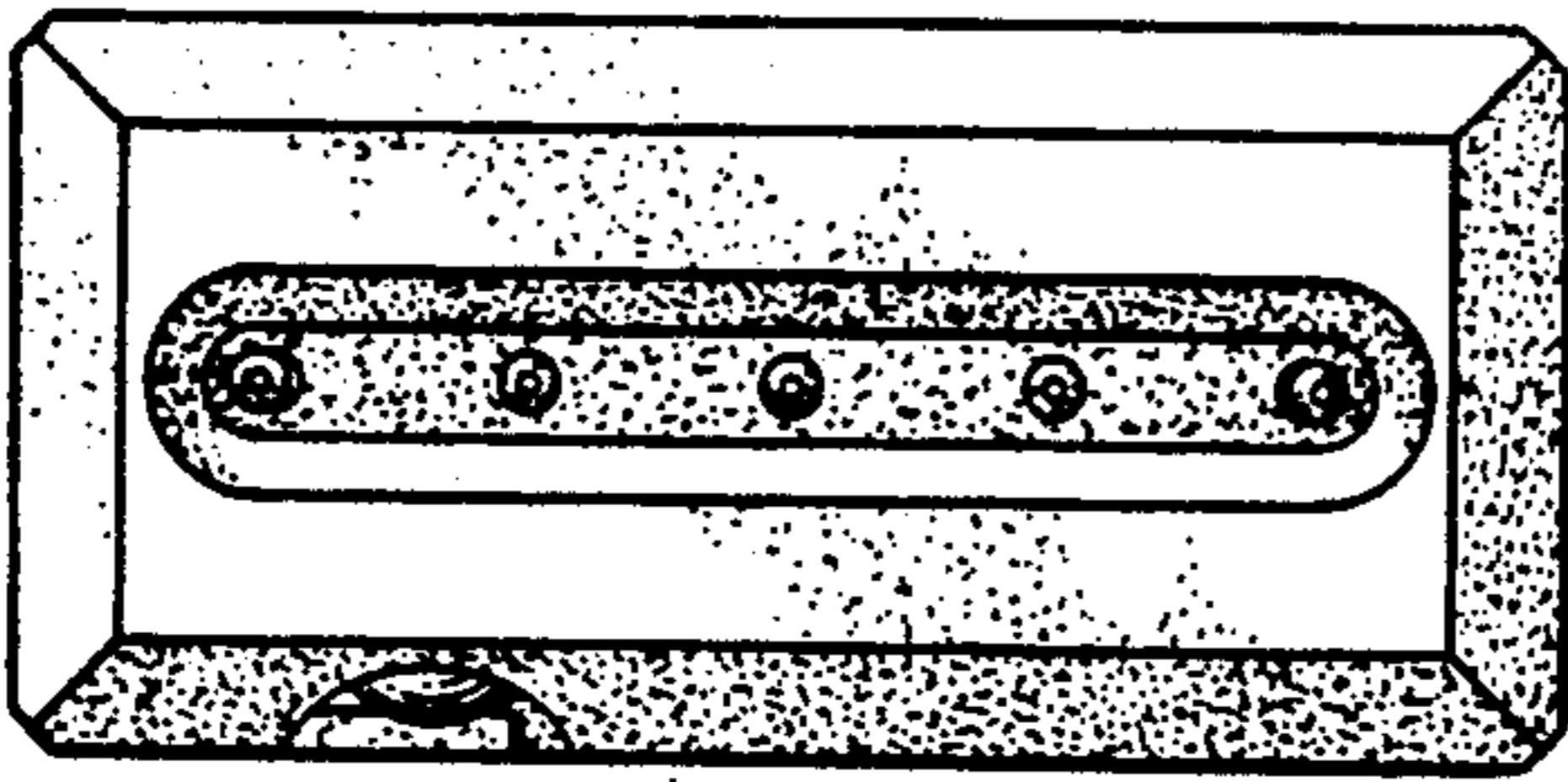


FIG. 4.

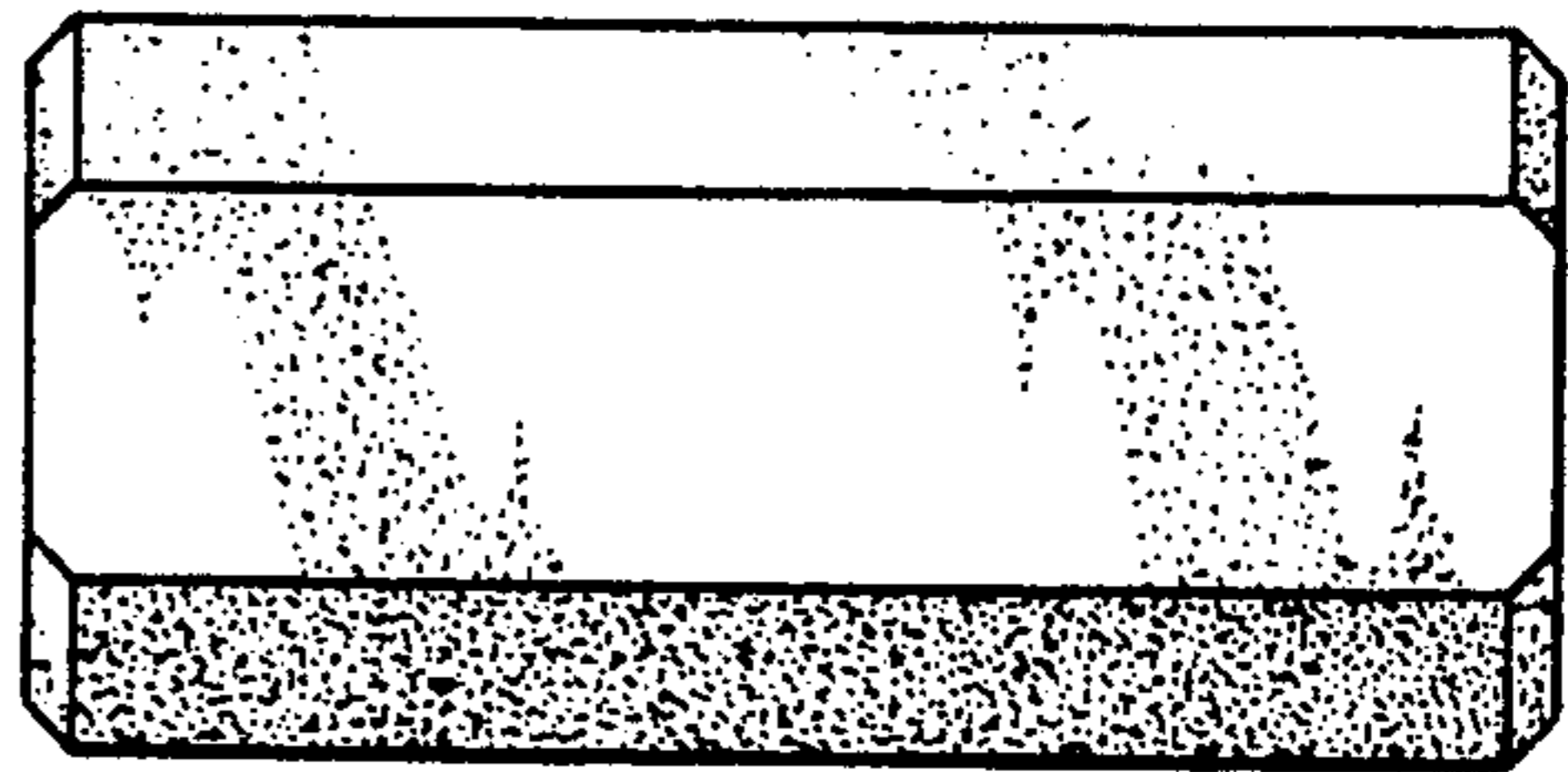


FIG. 5.

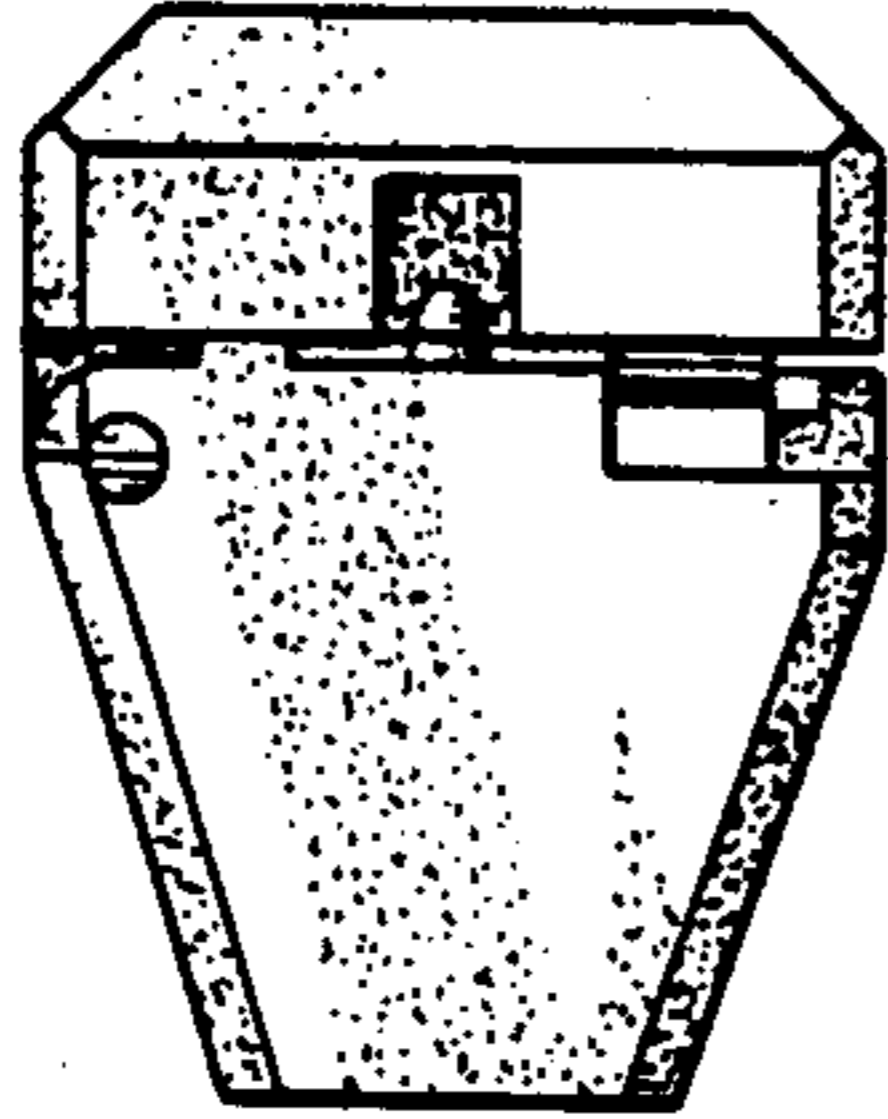


FIG. 6.

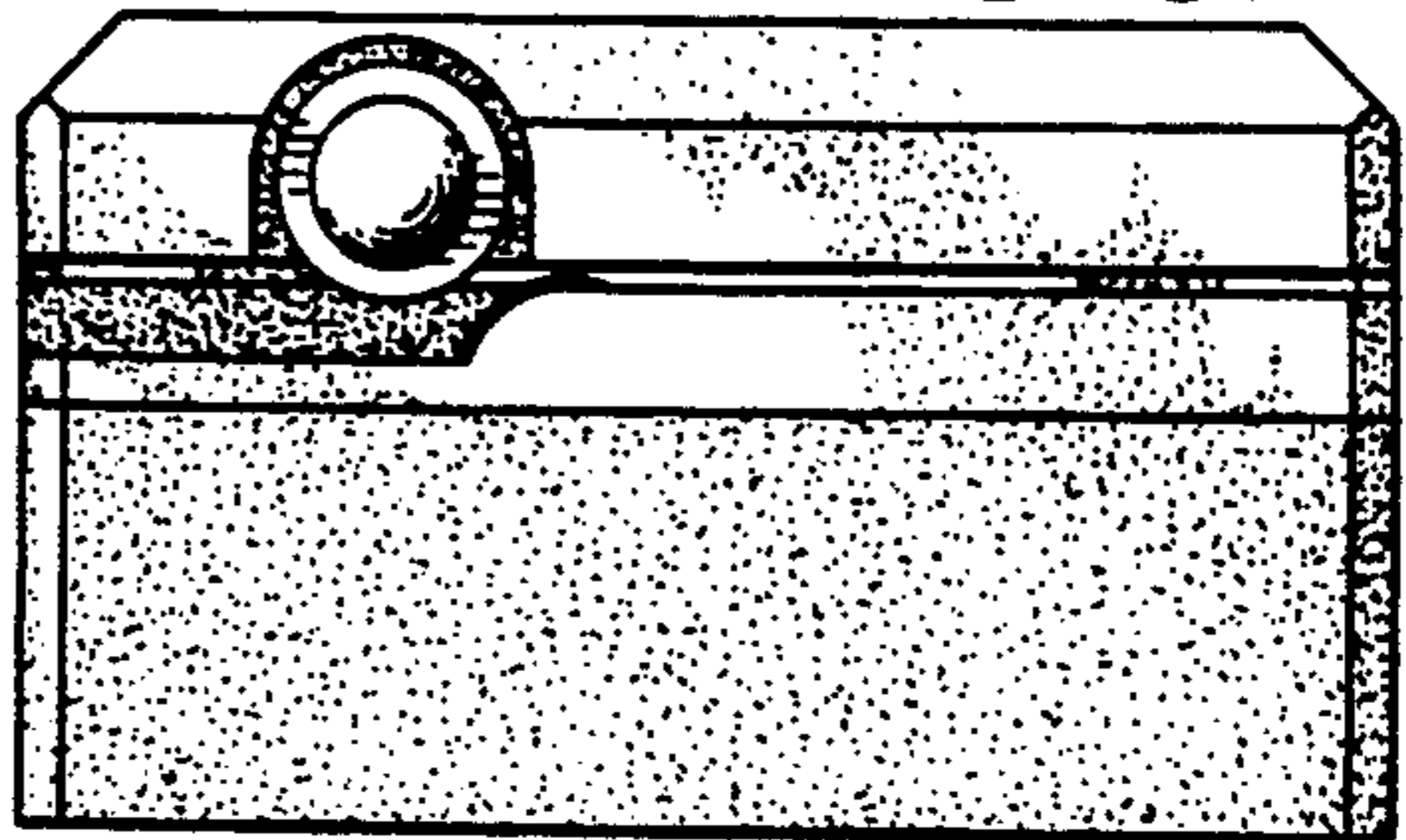


FIG. 7.

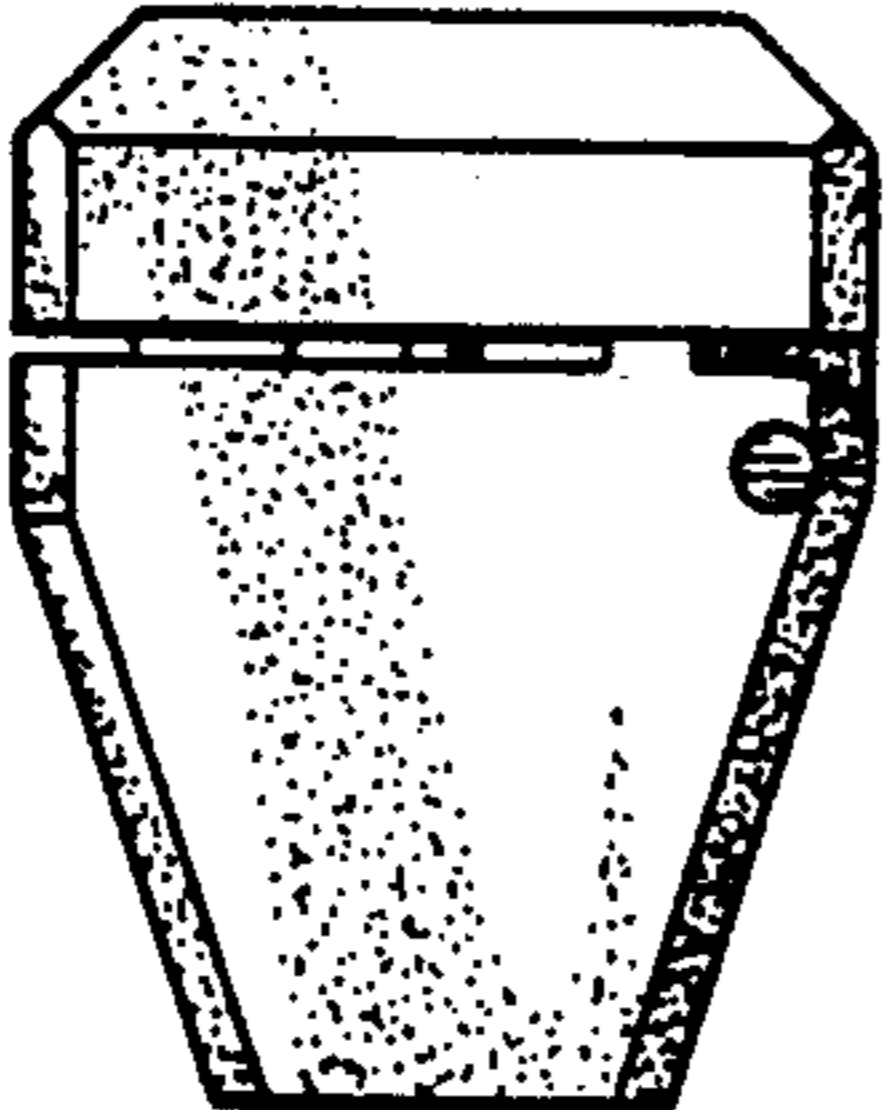


FIG. 8.

