



US00D326276S

United States Patent [19]

[11] Patent Number: **Des. 326,276**

Mehaffey et al.

[45] Date of Patent: **** May 19, 1992**

[54] HAND STAMP

[75] Inventors: **David E. Mehaffey, Charlotte, N.C.;**
Richard Lindahl, Malmo, Sweden

[73] Assignee: **Porelon, Inc., Cookeville, Tenn.**

[*] Notice: The portion of the term of this patent subsequent to Jan. 7, 2006 has been disclaimed.

[**] Term: **14 Years**

[21] Appl. No.: **403,717**

[22] Filed: **Sep. 6, 1989**

[52] U.S. Cl. **D18/15; D19/65**

[58] Field of Search **D19/65, 99, 100;**
D18/13, 14, 15, 16, 17; 118/264; 101/105, 111,
327, 371-373, 368, 405, 406

[56] References Cited

U.S. PATENT DOCUMENTS

- | | | | |
|------------|---------|----------------------|--------|
| D. 213,470 | 3/1969 | Anderson et al. | D18/15 |
| D. 231,027 | 3/1974 | Funahashi | D18/15 |
| D. 267,331 | 12/1982 | Goldstein | D18/15 |

- | | | | |
|------------|---------|-------------------------|-----------|
| D. 276,818 | 12/1984 | Carlsson et al. | D18/15 |
| D. 283,629 | 4/1986 | Hewitt et al. | D18/15 |
| D. 293,921 | 1/1988 | Harris | D18/15 |
| D. 304,732 | 11/1989 | Hines | D18/15 |
| 3,832,947 | 9/1974 | Funahashi | 101/327 |
| 4,676,162 | 6/1987 | Phipps, Sr. et al. | 101/405 |
| 4,735,143 | 4/1988 | Hines | 101/405 X |

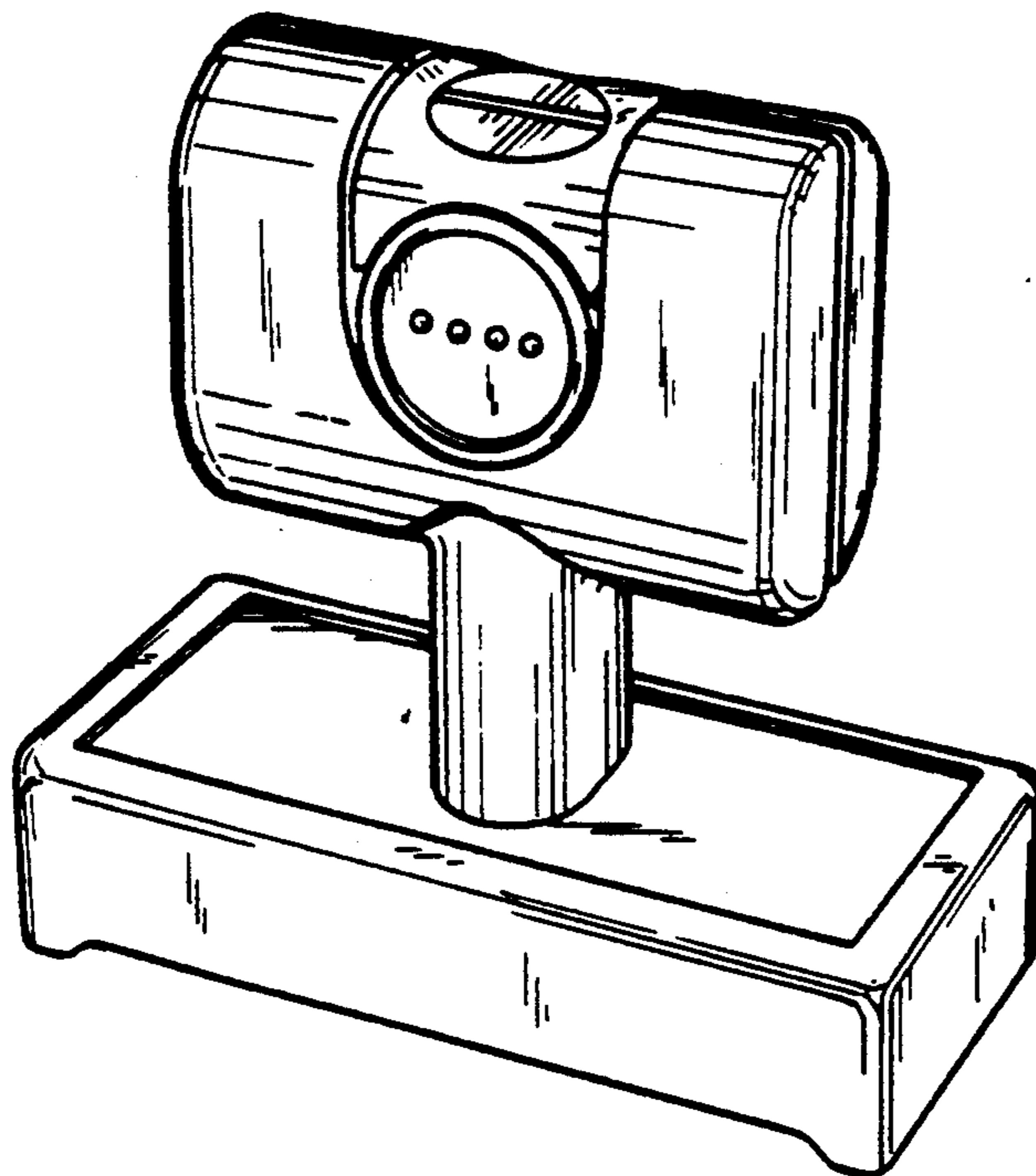
Primary Examiner—Donald P. Walsh
Assistant Examiner—Martha Thompson
Attorney, Agent, or Firm—Foley & Lardner

[57] CLAIM

The ornamental design for a hand stamp, as shown and described.

DESCRIPTION

FIG. 1 is a top, right front perspective view of a hand stamp showing our new design; FIG. 2 is a front elevational view, the rear view being a mirror image thereof; FIG. 3 is a top plan view thereof; FIG. 4 is a bottom plan view thereof; and, FIG. 5 is a left side elevational view, the right side being a mirror image thereof.



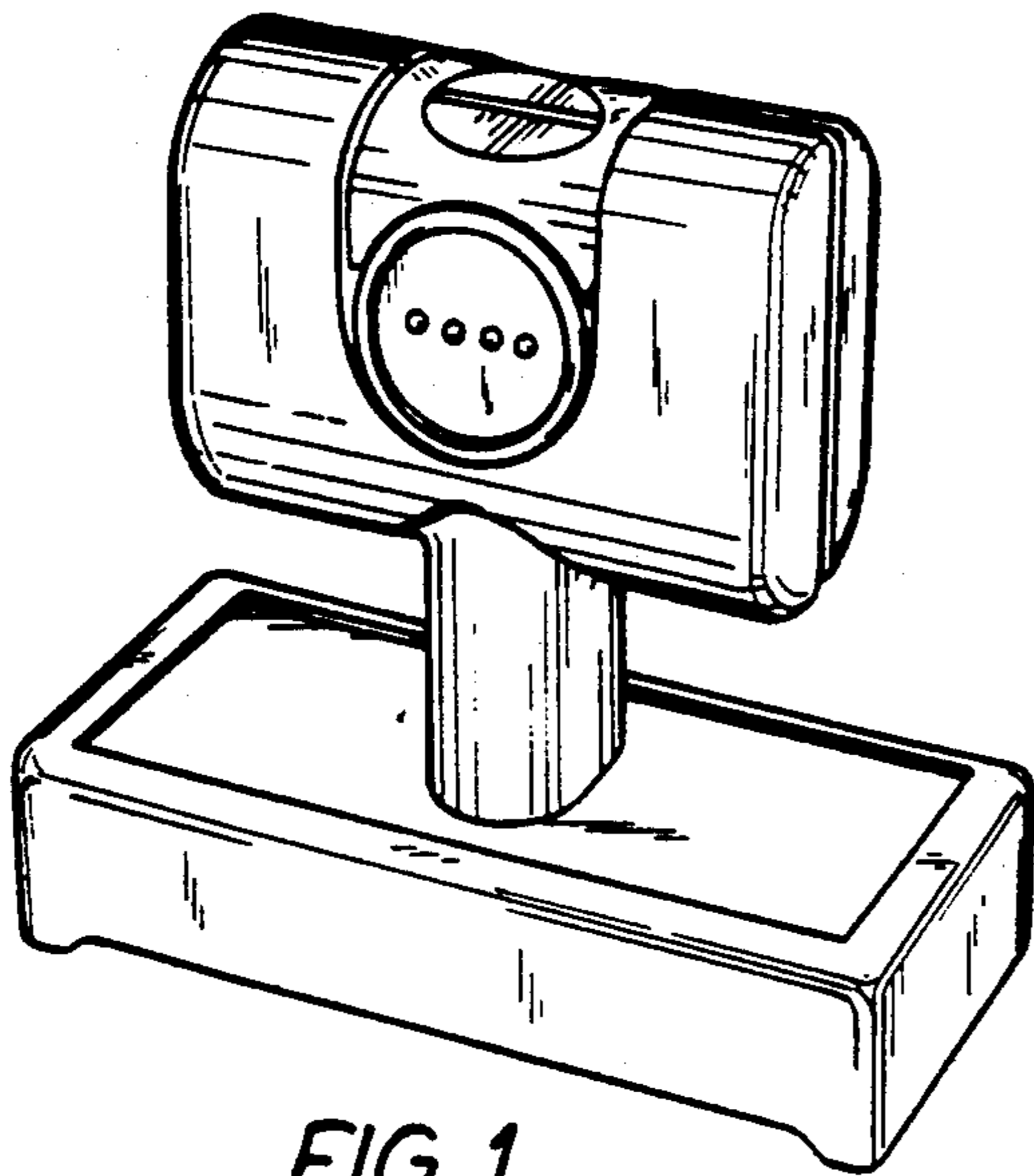


FIG. 1

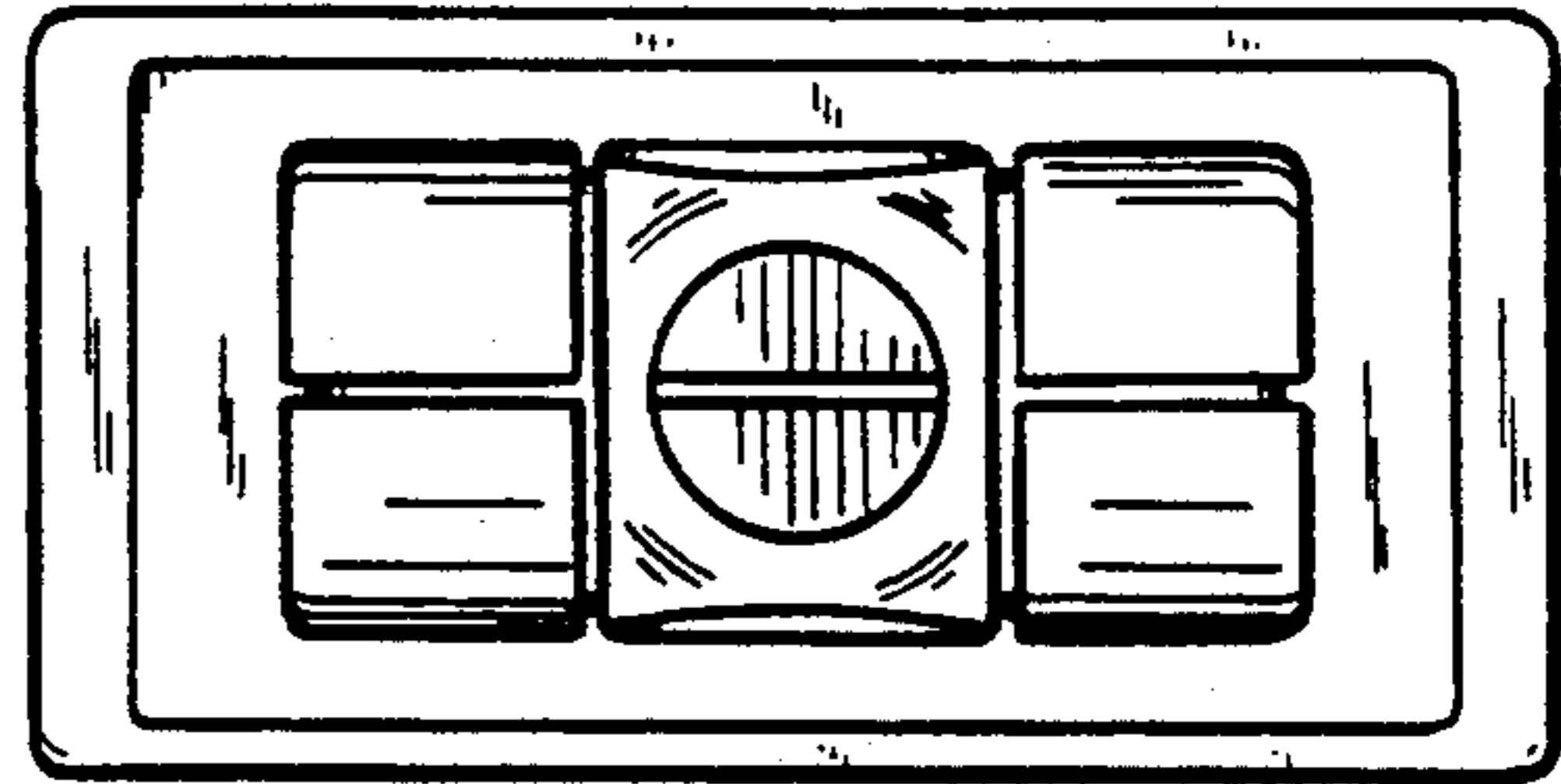


FIG. 3

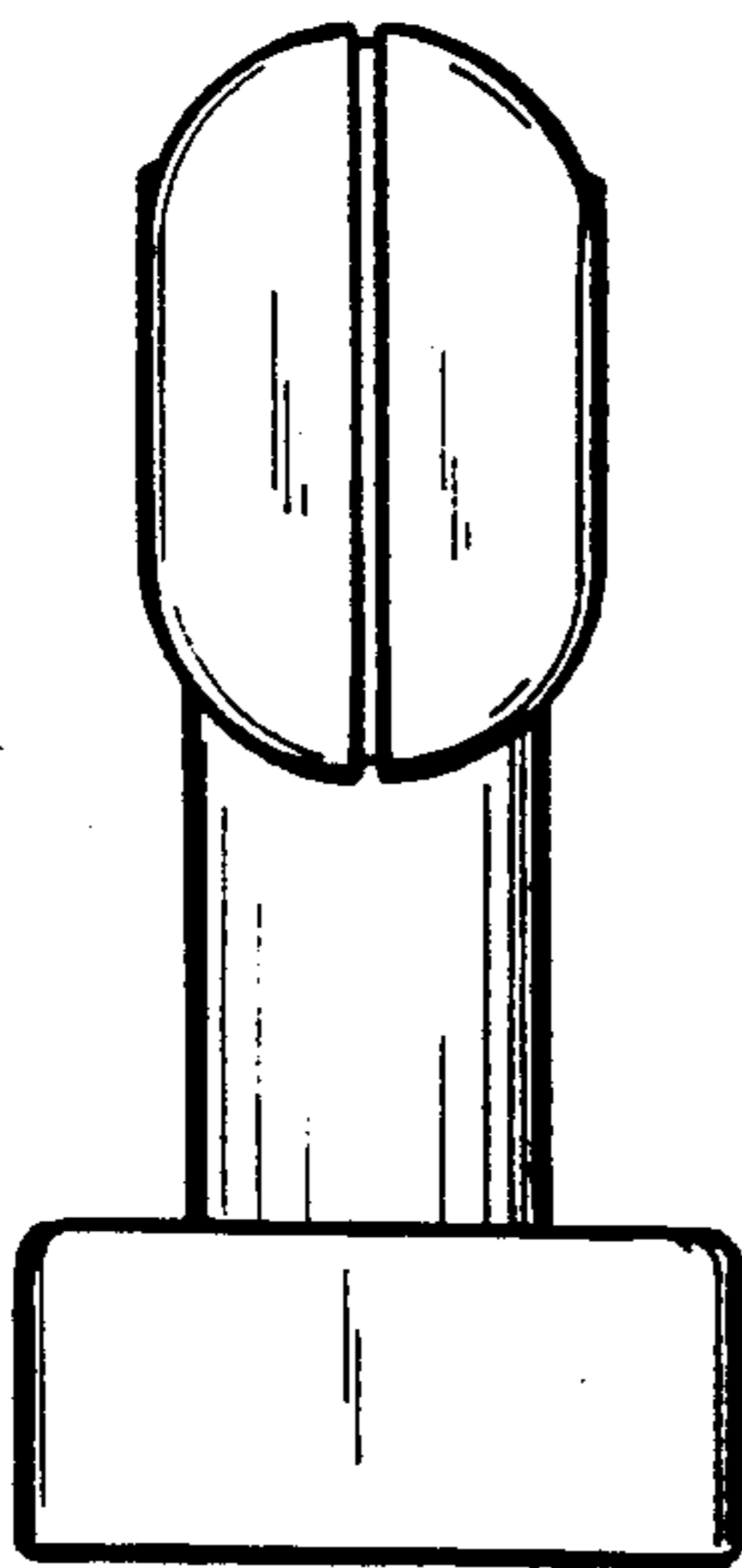


FIG. 5

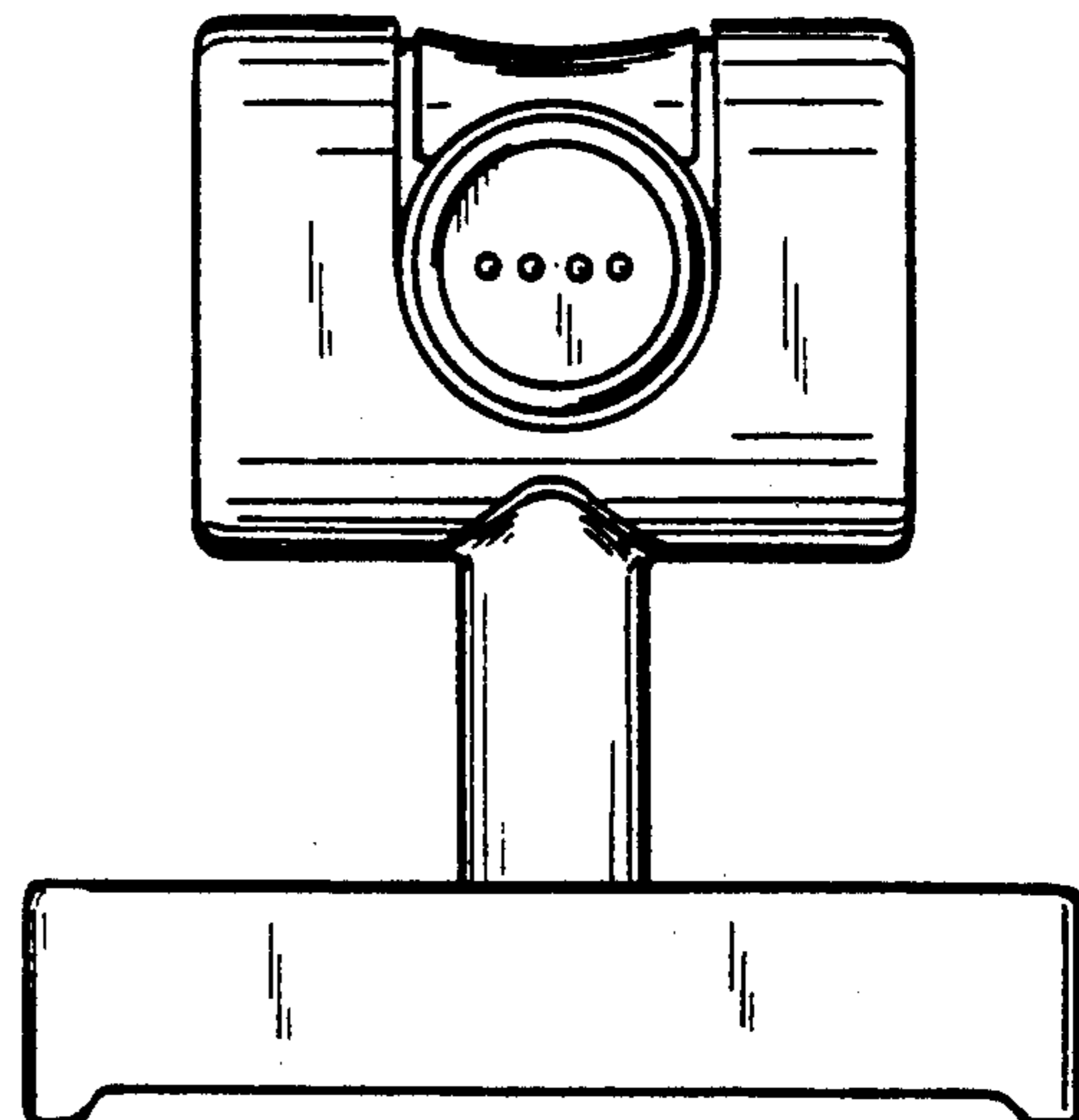


FIG. 2

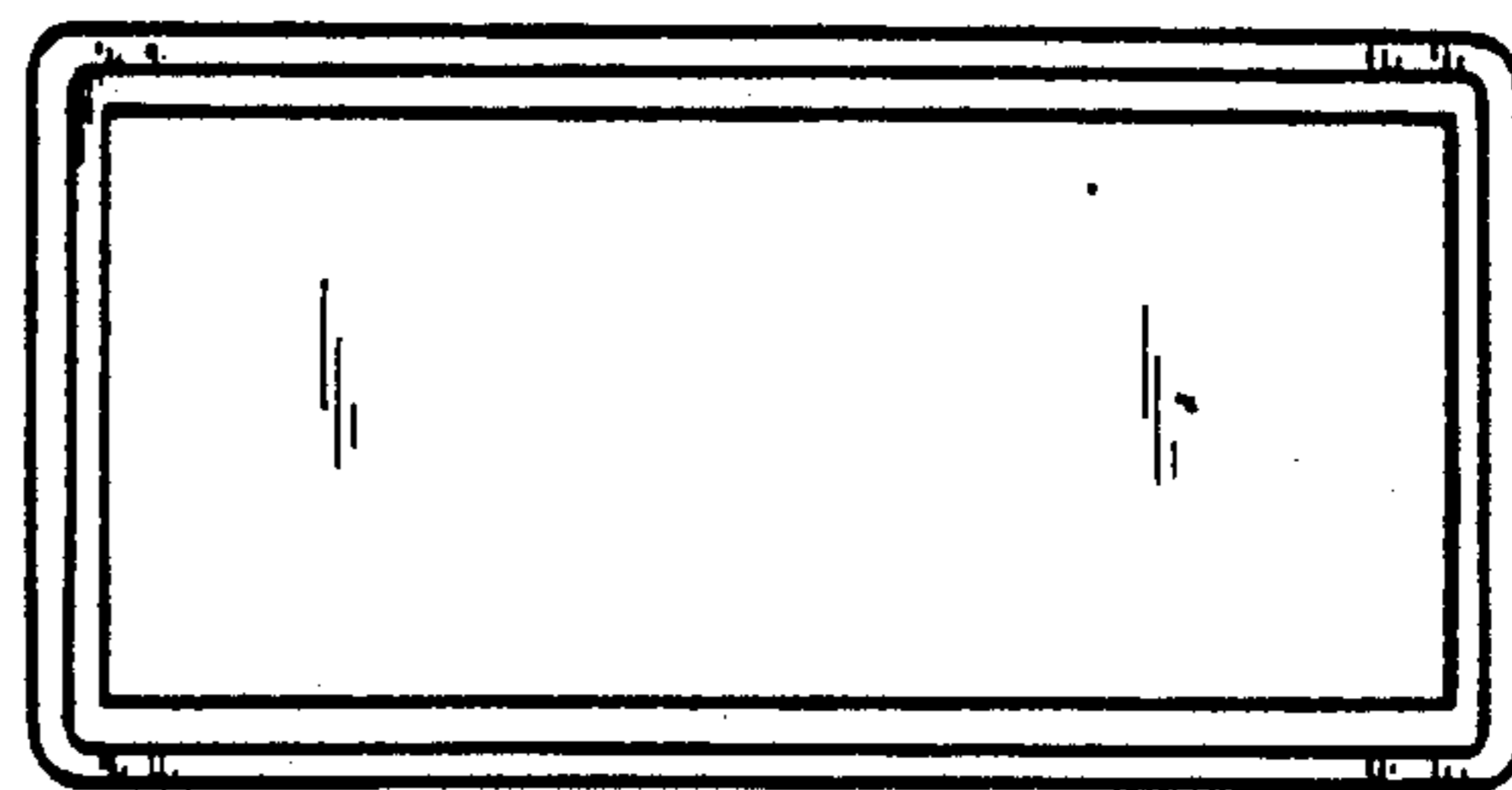


FIG. 4