



US00D326261S

United States Patent [19]

[11] Patent Number: **Des. 326,261**

Ashmun et al.

[45] Date of Patent: **** May 19, 1992**

[54] TRACKBALL FOR COMPUTER

[75] Inventors: **Stuart Ashmun**, Seattle; **Charlie Garthwaite**, Kirkland; **Bridget Cameron**, Seattle; **Allan H. Stephan**, Seattle; **Michael D. Nelson**, Seattle; **Mike M. Paull**, Seattle, all of Wash.; **Paul Bradley**, Woodside, Calif.; **James R. Yurchenco**, Palo Alto, Calif.; **Elinor J. Fulton**, Kennington, Calif.

[73] Assignee: **Microsoft Corporation**, Redmond, Wash.

[**] Term: **14 Years**

[21] Appl. No.: **666,397**

[22] Filed: **Mar. 8, 1991**

Related U.S. Application Data

[63] Continuation-in-part of Ser. No. 598,562, Oct. 22, 1990, which is a continuation-in-part of Ser. No. 425,527, Oct. 23, 1989.

[52] U.S. Cl. **D14/114**

[58] Field of Search **D14/100, 105, 106, 107, D14/114; D13/162, 168; D21/48; 74/471 XY; 178/18, 19; 200/5 A, 5 R, 6 A, 6 R; 273/148 B; 340/709, 710, 712; 235/472**

References Cited

U.S. PATENT DOCUMENTS

D. 285,445	9/1986	Davis et al.	D14/114
D. 299,140	12/1988	Nakamura	D14/114
D. 305,756	1/1990	Parker et al.	D14/114
D. 309,449	7/1990	MacDonald et al.	D14/114
D. 314,193	1/1991	Ishihara et al.	D14/114

OTHER PUBLICATIONS

Portable Office, Apr. 1991, p. 70, Logitech Pointers (center of page).

Primary Examiner—Wallace R. Burke
Assistant Examiner—Freda S. Nunn
Attorney, Agent, or Firm—Seed and Berry

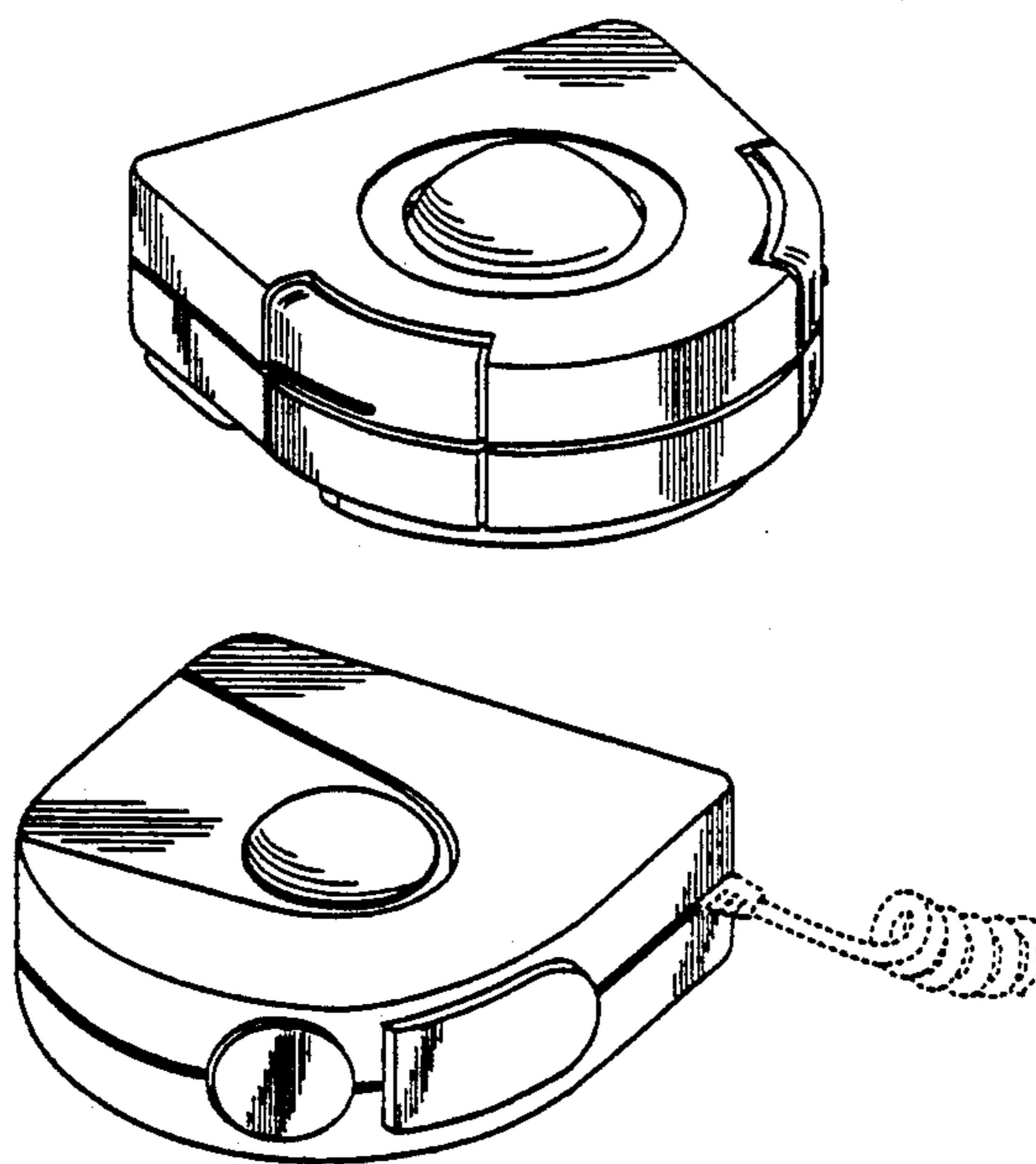
[57] CLAIM

The ornamental design for a trackball for computer, as shown and described.

DESCRIPTION

FIG. 1 is a top front and left side isometric view of a trackball for computer showing our new design; FIG. 2 is a bottom front and right side isometric view thereof; FIG. 3 is a top plan view thereof; FIG. 4 is a right side elevational view thereof; FIG. 5 is a bottom plan view thereof; FIG. 6 is a front elevational view thereof; FIG. 7 is a rear elevational view thereof; FIG. 8 is a top front and left side isometric view of a second embodiment of our new design; FIG. 9 is a top plan view thereof; FIG. 10 is a top front and right side isometric view of a third embodiment of our new design; FIG. 11 is a bottom front and left side isometric view thereof; FIG. 12 is a bottom plan view of the second embodiment shown in FIG. 8; FIG. 13 is a rear elevational view thereof; FIG. 14 is a right side elevational view thereof; and, FIG. 15 is a front elevational view thereof.

The cord is shown in broken lines in the figures for illustrative purposes only and forms no part of the claimed design and the rear elevational view of the third embodiment is similar to the rear elevational view of the second embodiment shown in FIG. 13.



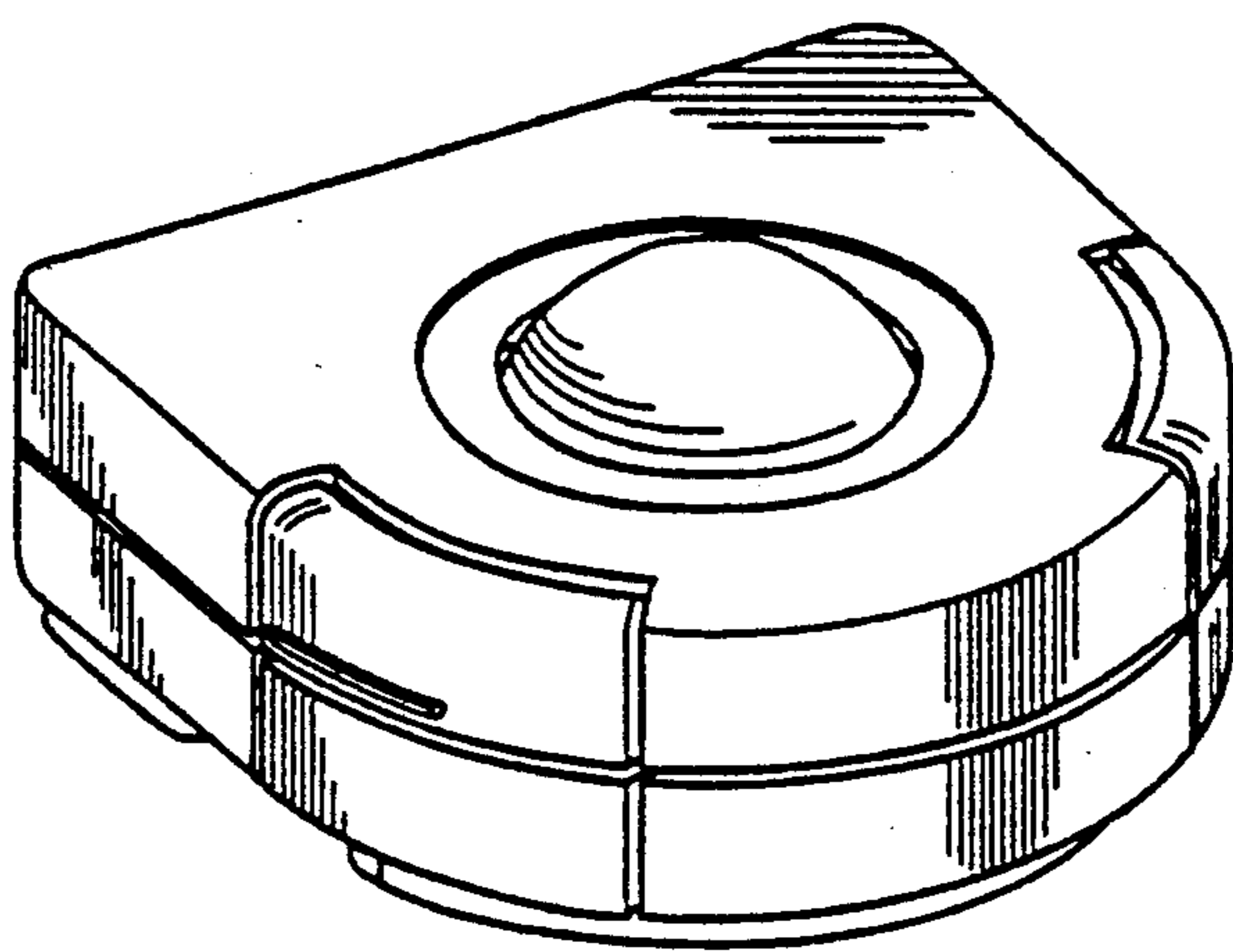


Figure 1

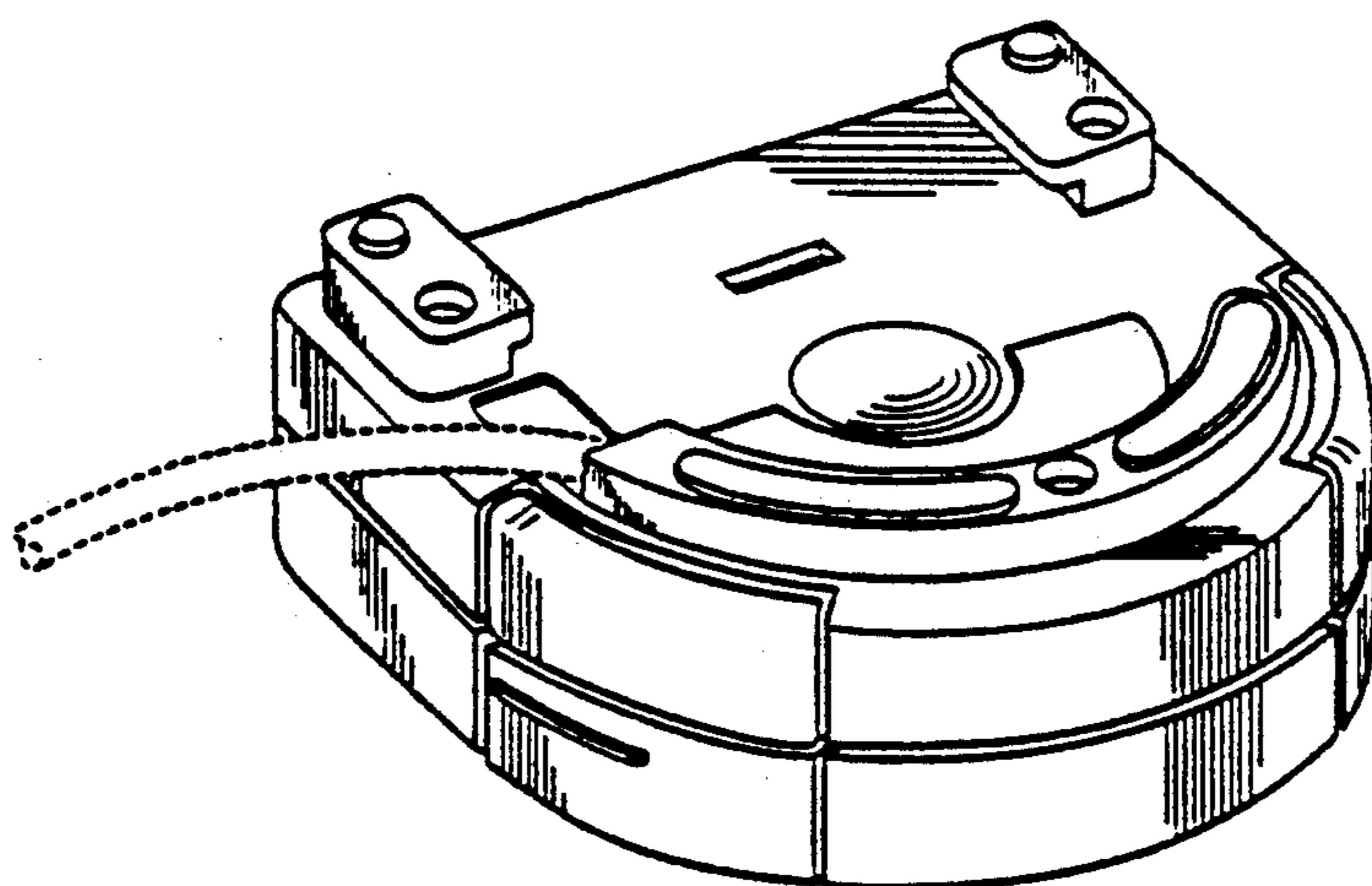


Figure 2

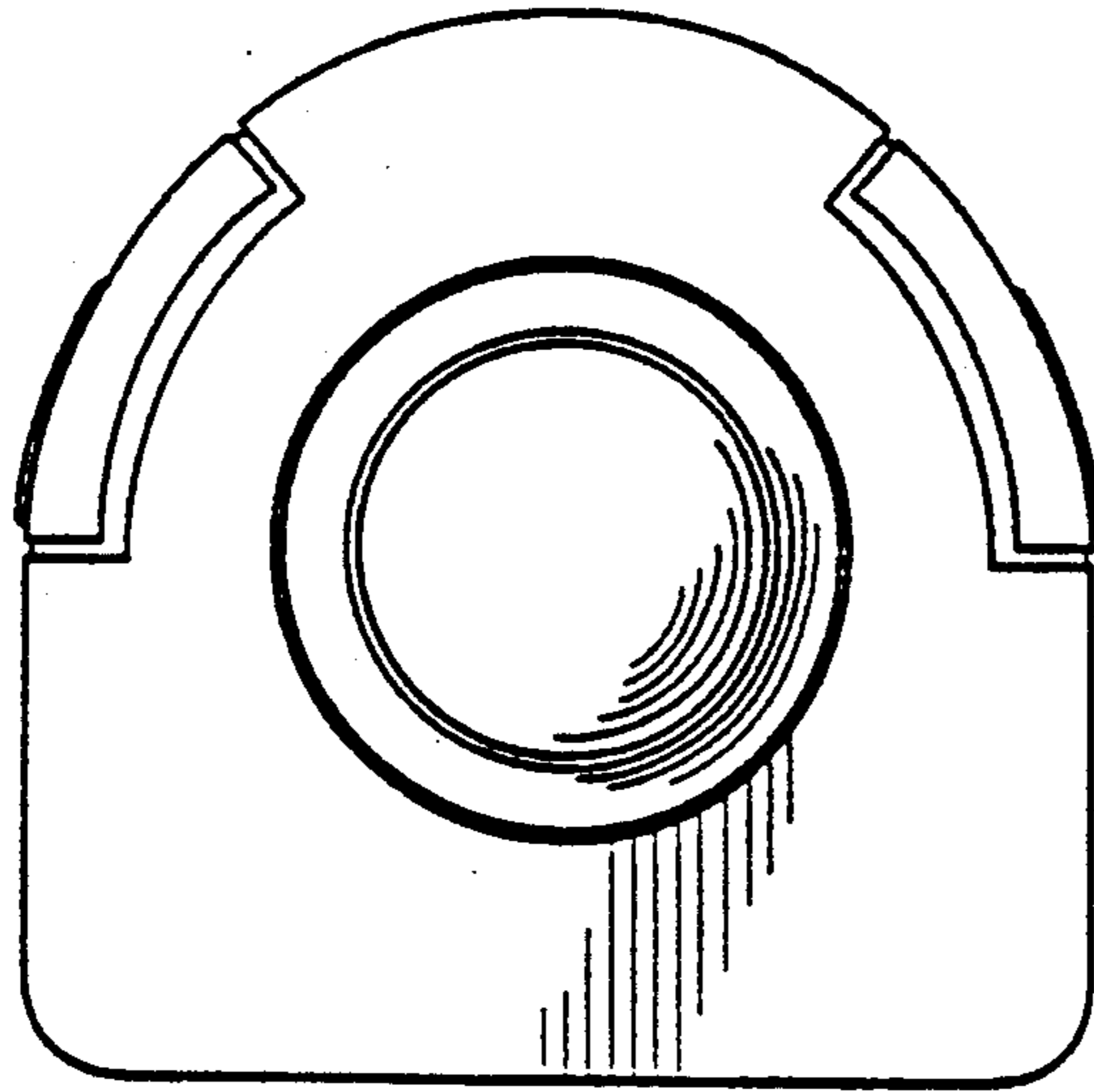


Figure 3

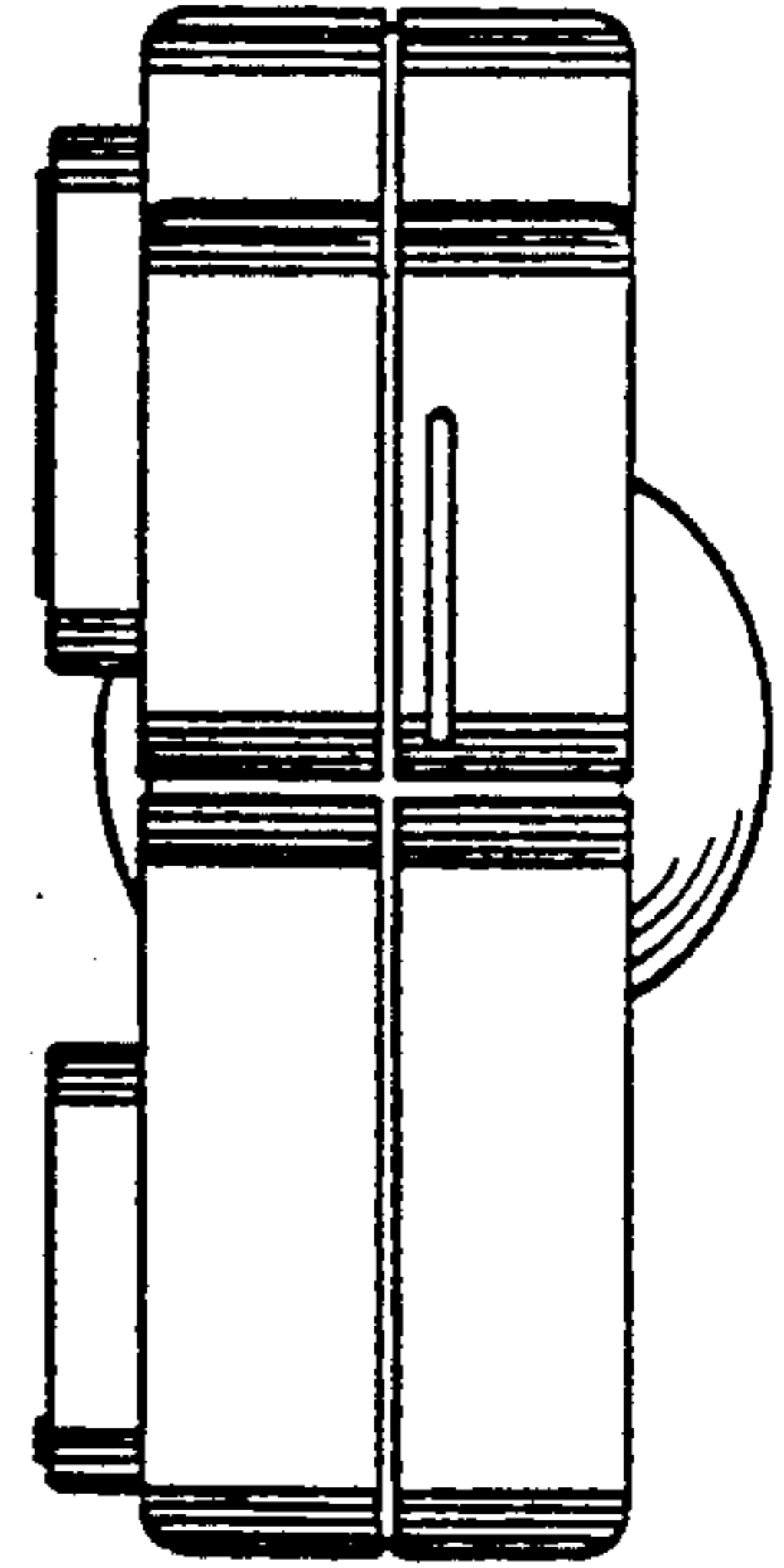


Figure 4

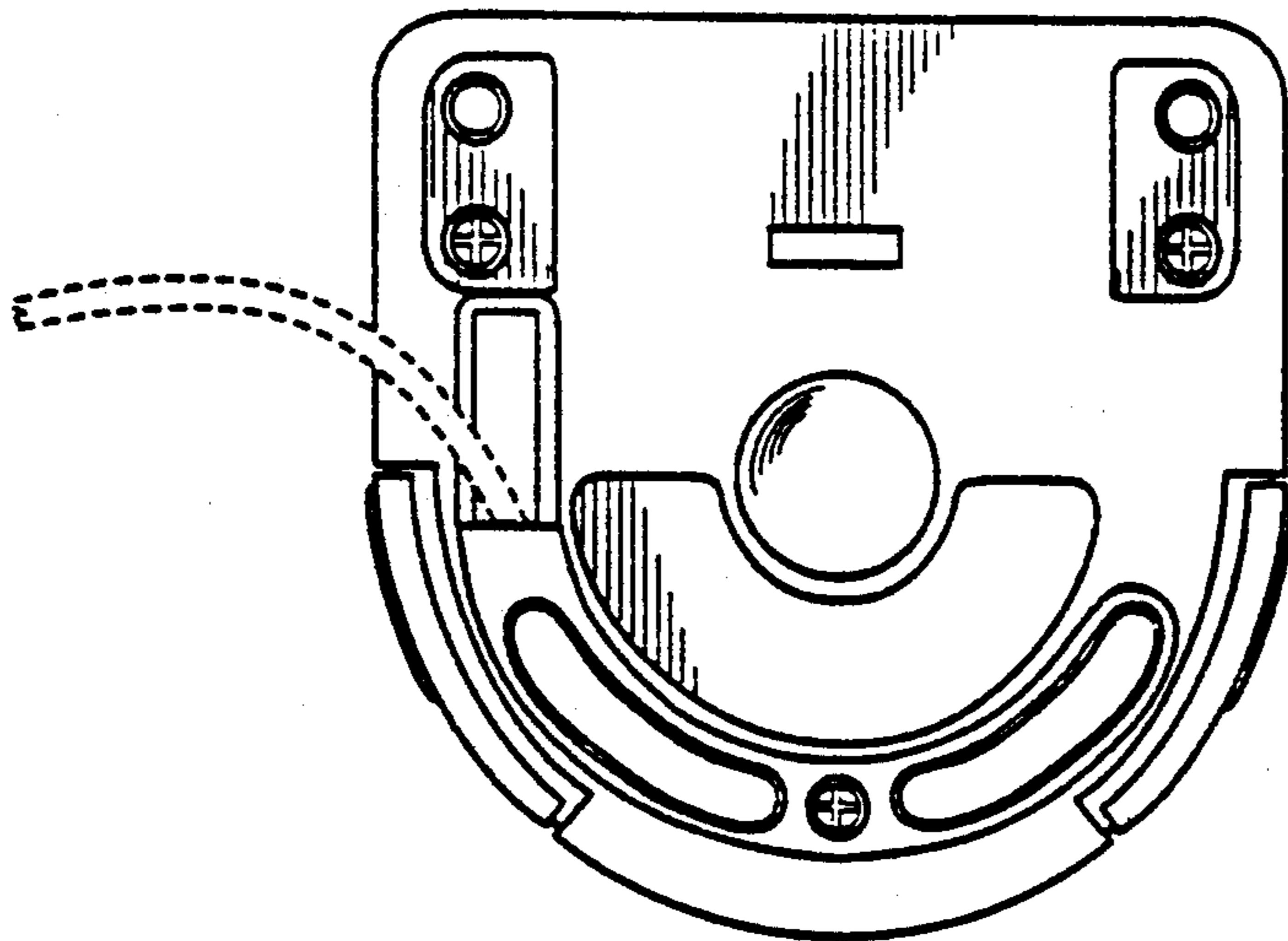


Figure 5

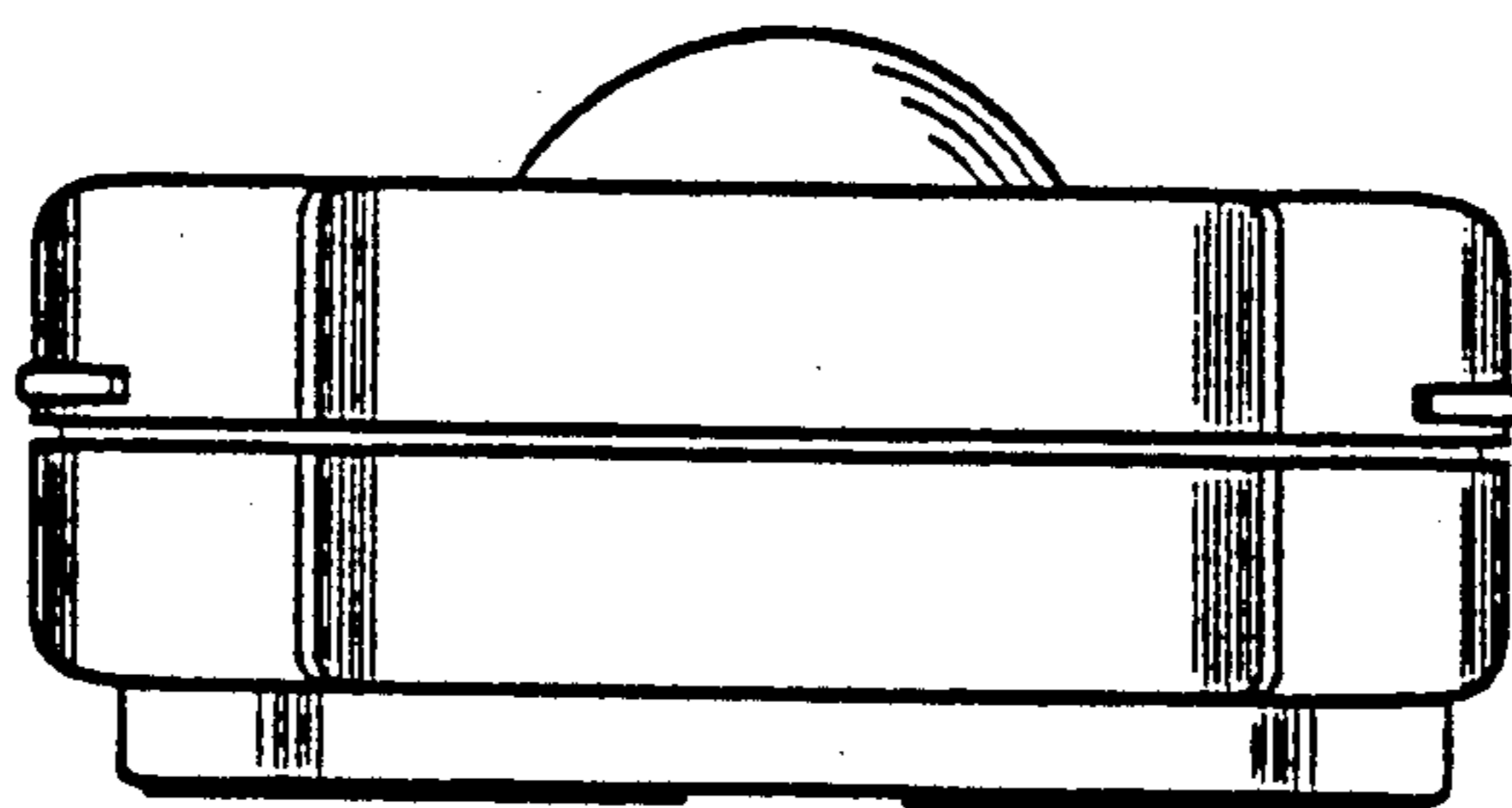


Figure 6

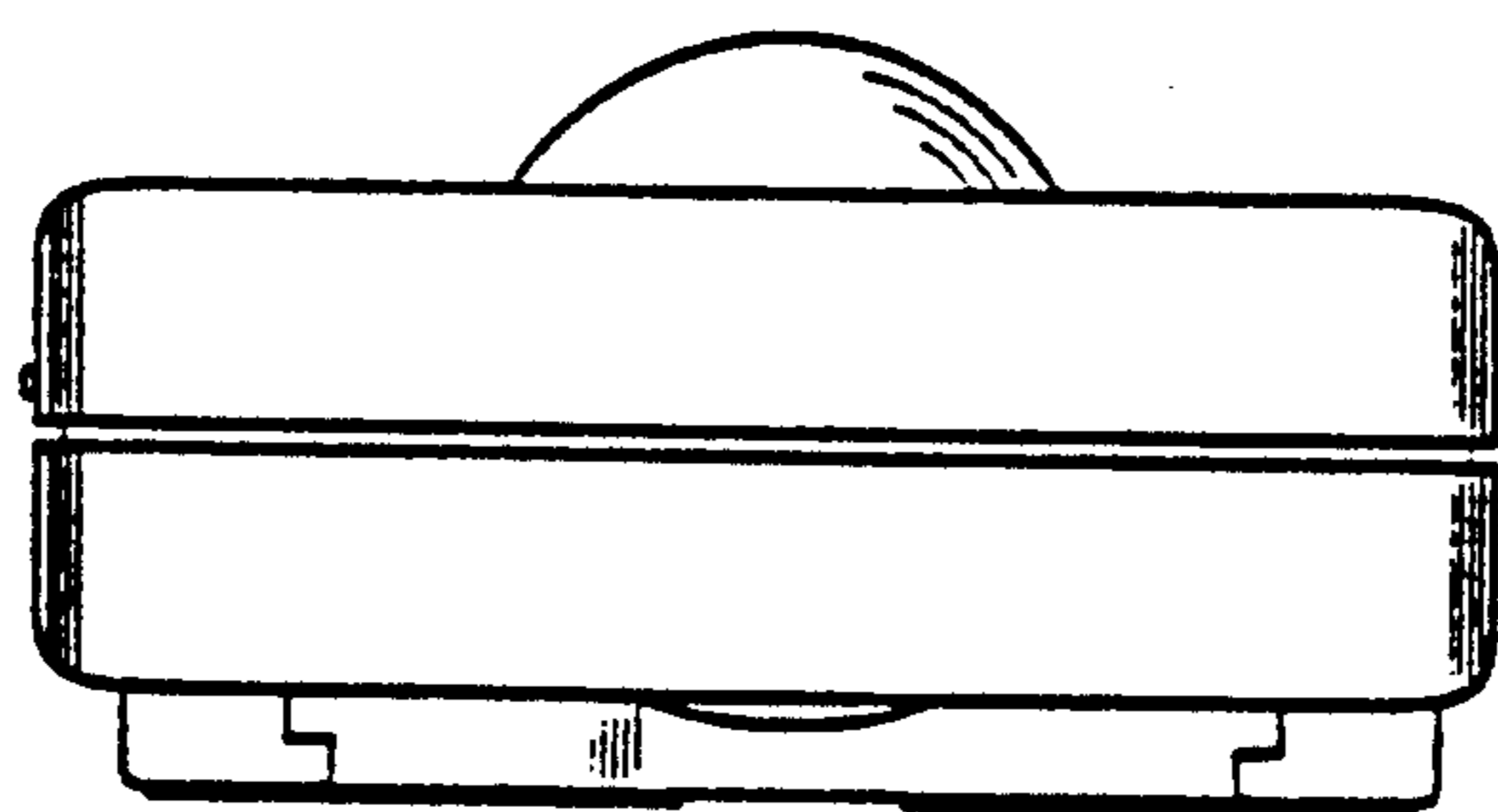


Figure 7

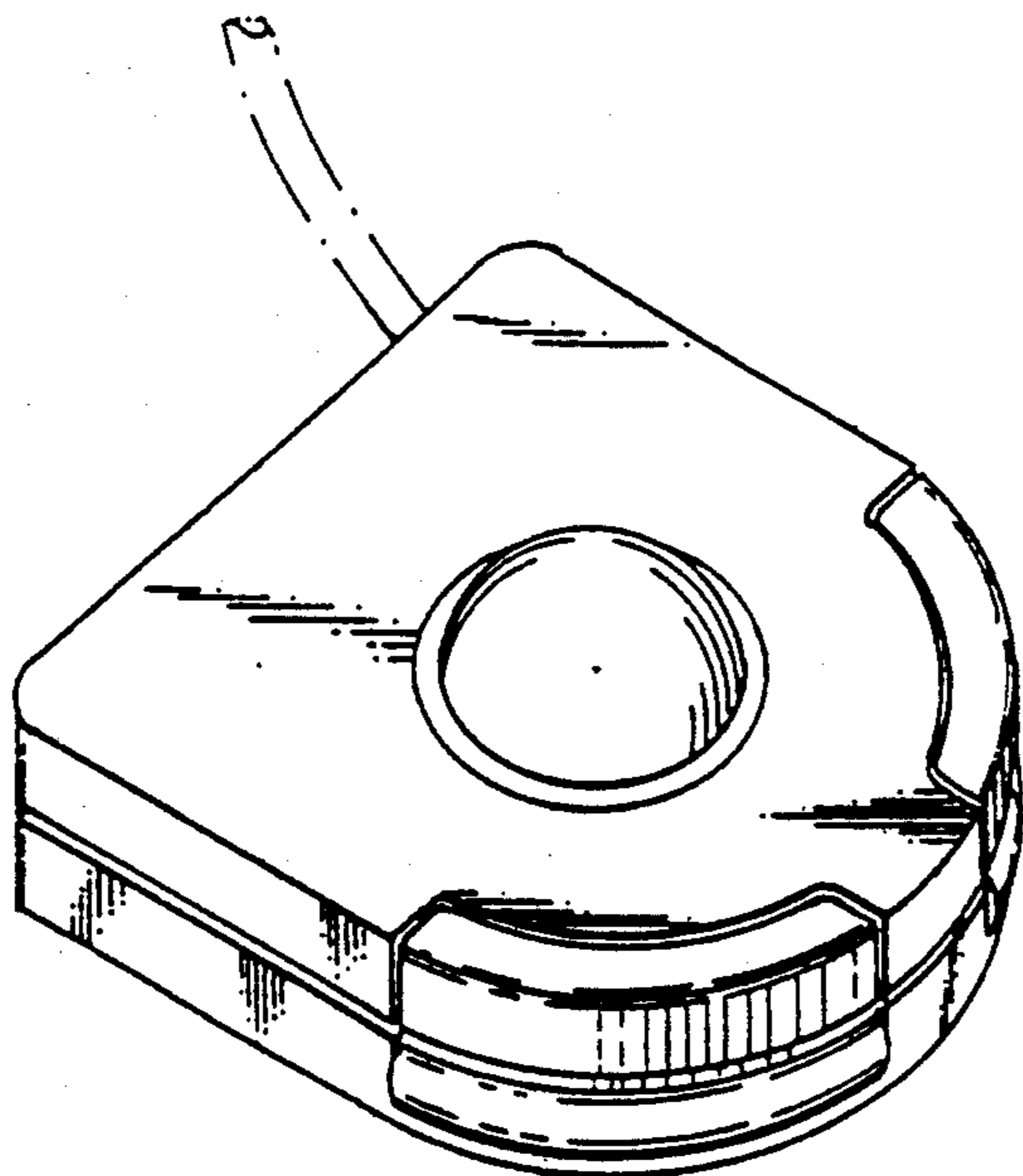


FIG. 8

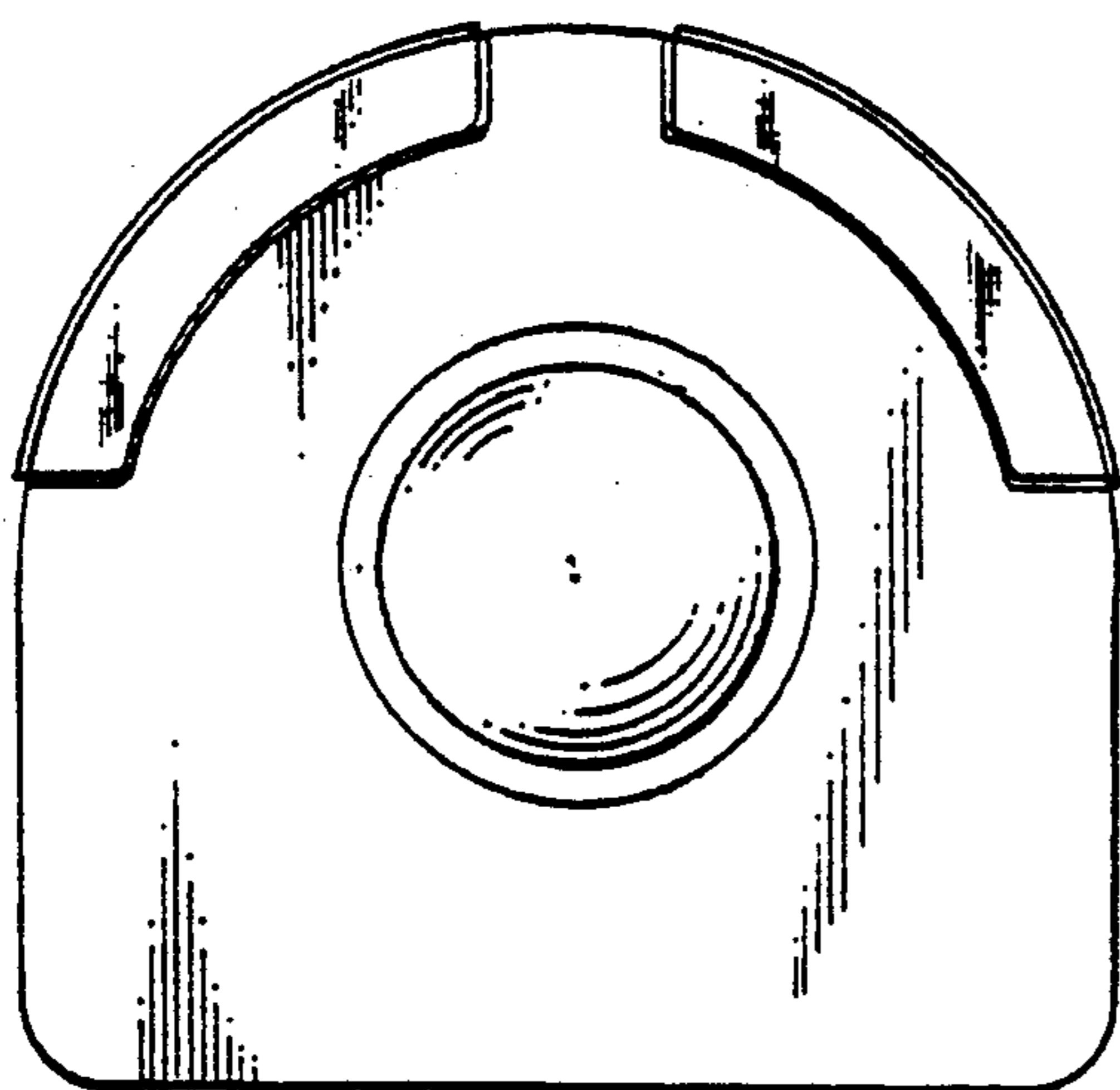


FIG. 9

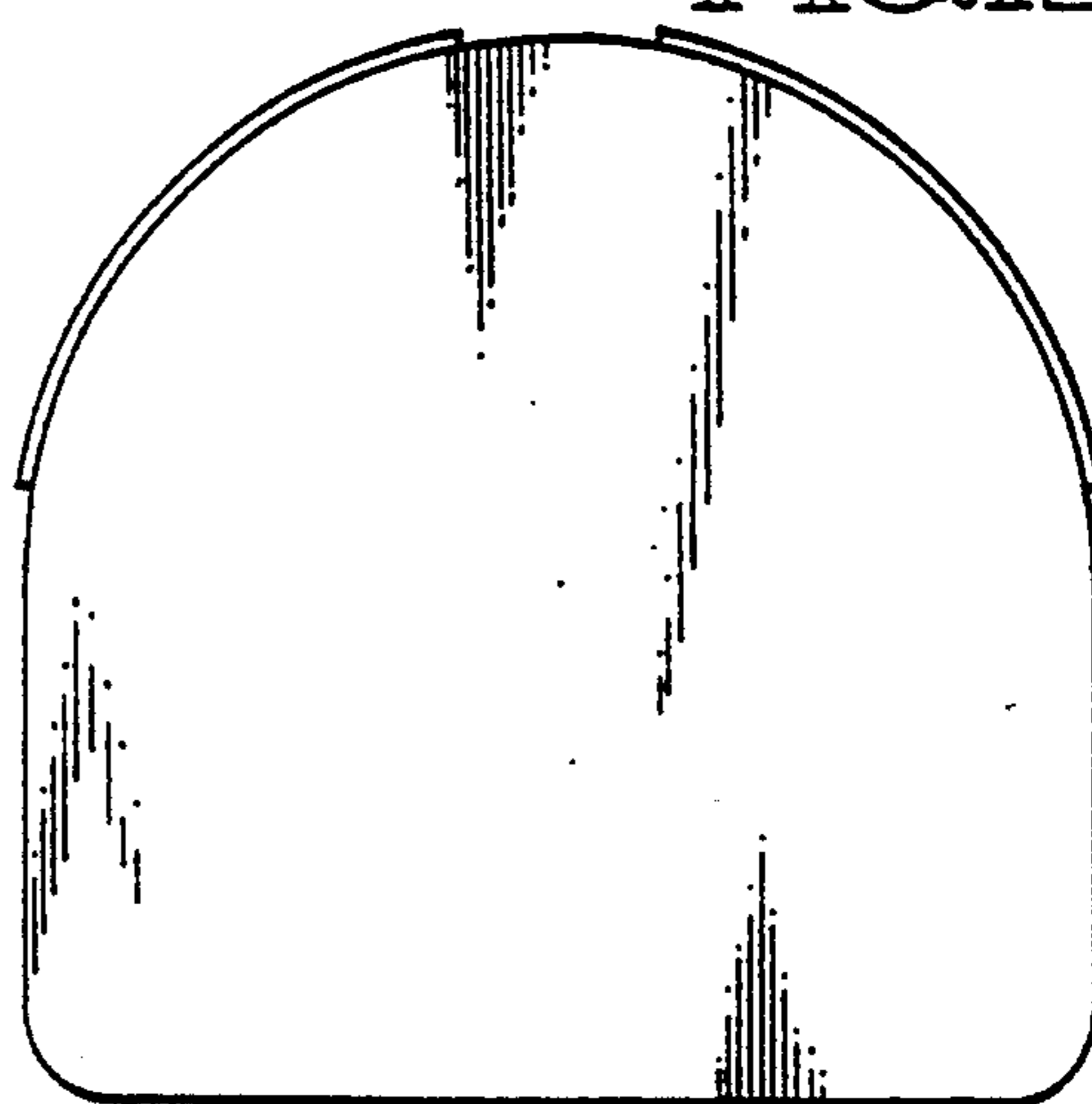


FIG. 12

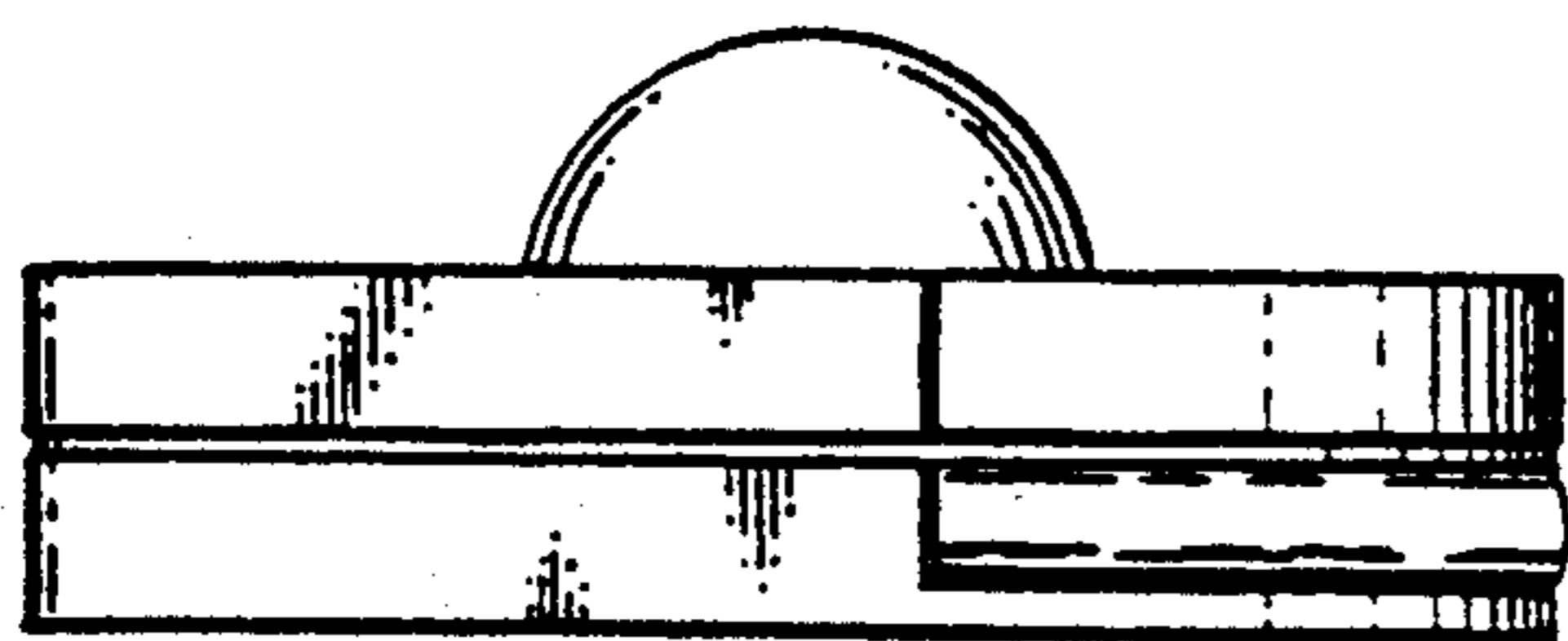


FIG. 14

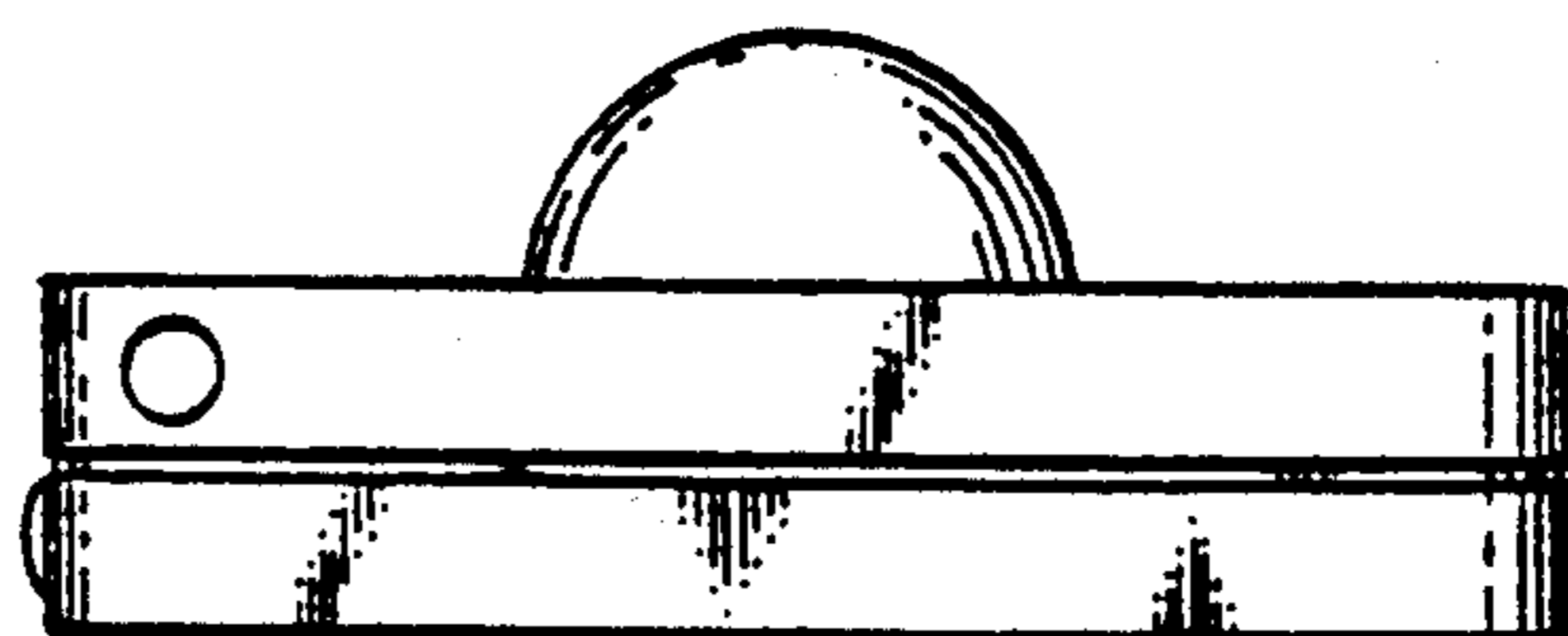


FIG. 13

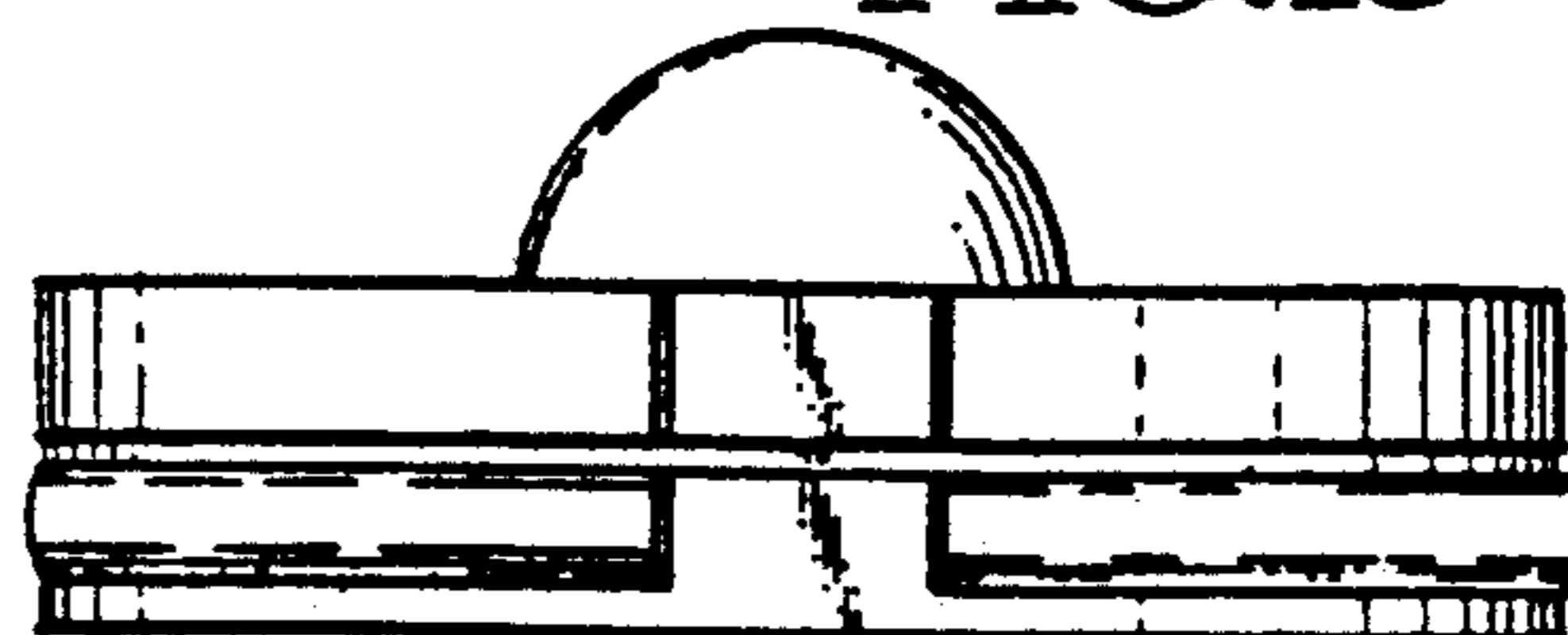


FIG. 15

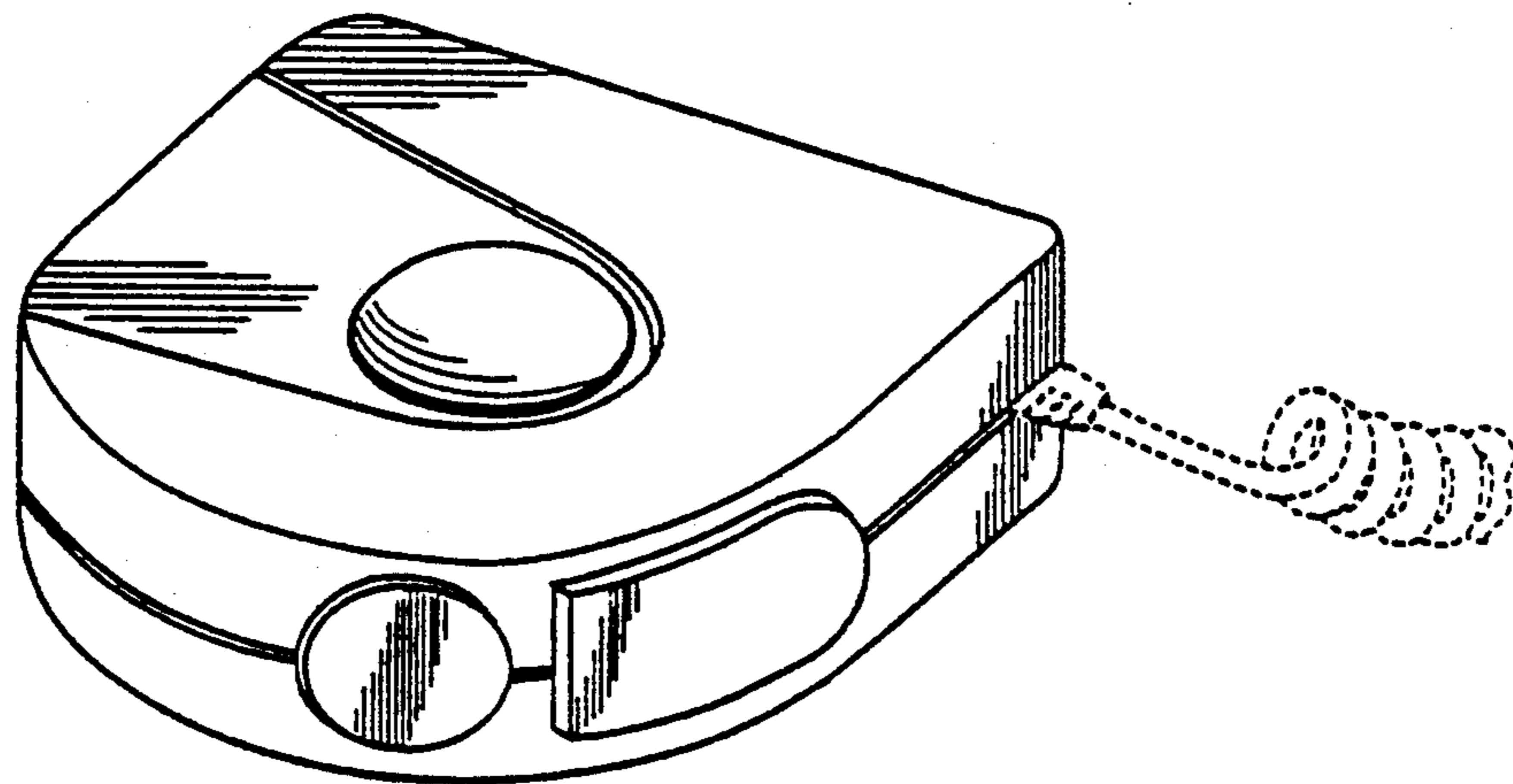


Figure 10

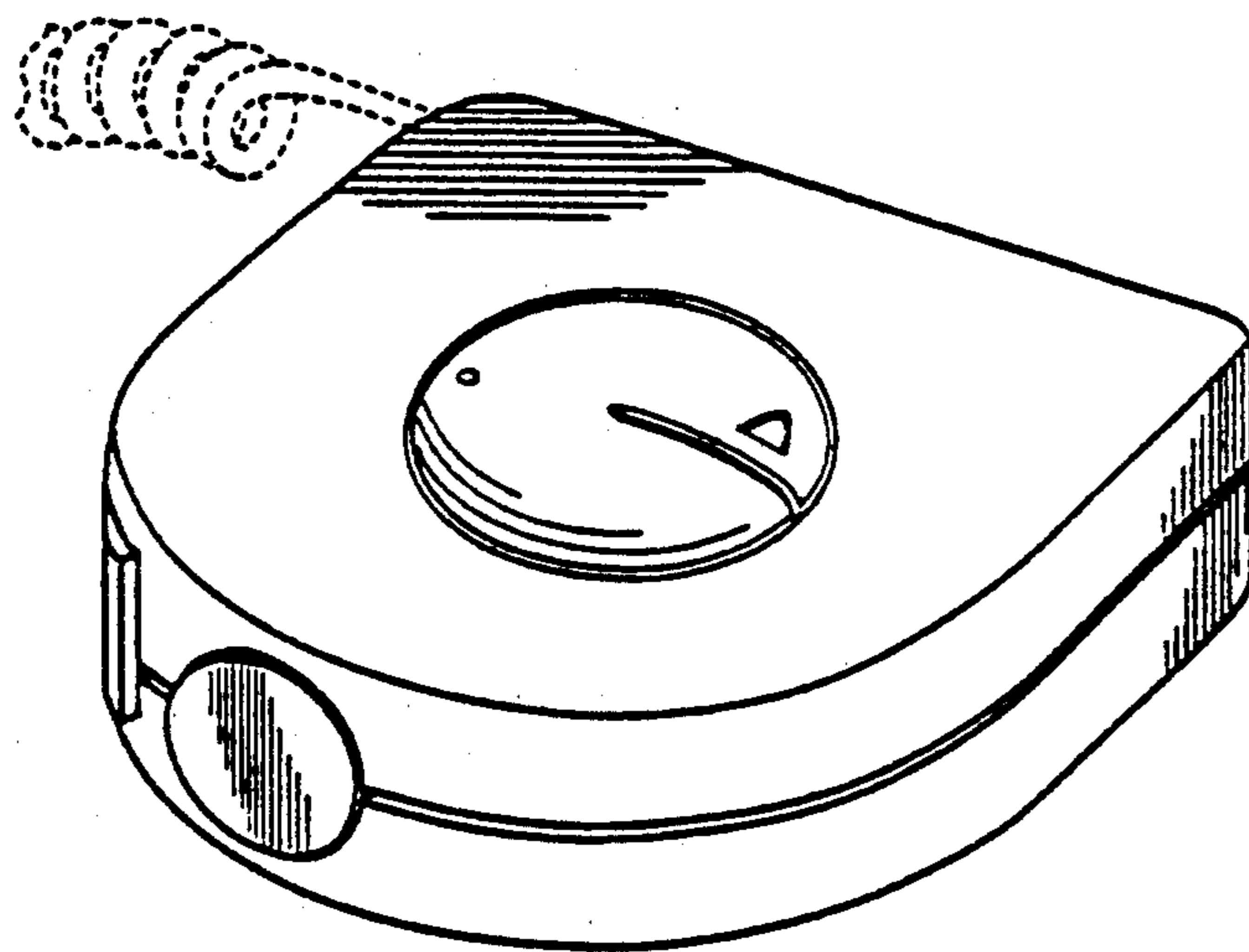


Figure 11