



US00D326260S

United States Patent [19]

[11] Patent Number: **Des. 326,260**

Oshima

[45] Date of Patent: **** May 19, 1992**

[54] **MONITOR OR SIMILAR ARTICLE**

[75] Inventor: **Yuriko Oshima, Suwa, Japan**

[73] Assignee: **Seiko Epson Corporation, Japan**

[**] Term: **14 Years**

[21] Appl. No.: **499,077**

[22] Filed: **Mar. 26, 1990**

[30] **Foreign Application Priority Data**

Sep. 25, 1989 [JP] Japan 1-34890

[52] U.S. Cl. **D14/113**

[58] Field of Search D14/100, 101, 105, 106, D14/113; D18/1, 7, 11, 12; 358/248, 249, 254, 255; 340/700, 706, 711, 712; 364/706-709.09

[56] **References Cited**

U.S. PATENT DOCUMENTS

D. 295,414 4/1988 Yokoi et al. D14/113
D. 300,929 5/1989 Satherley D14/113

D. 312,453 11/1990 Oh D14/113
D. 318,048 7/1991 Kim D14/113
D. 318,861 8/1991 Manabe et al. D14/113
D. 320,010 9/1991 Orchard et al. D14/113

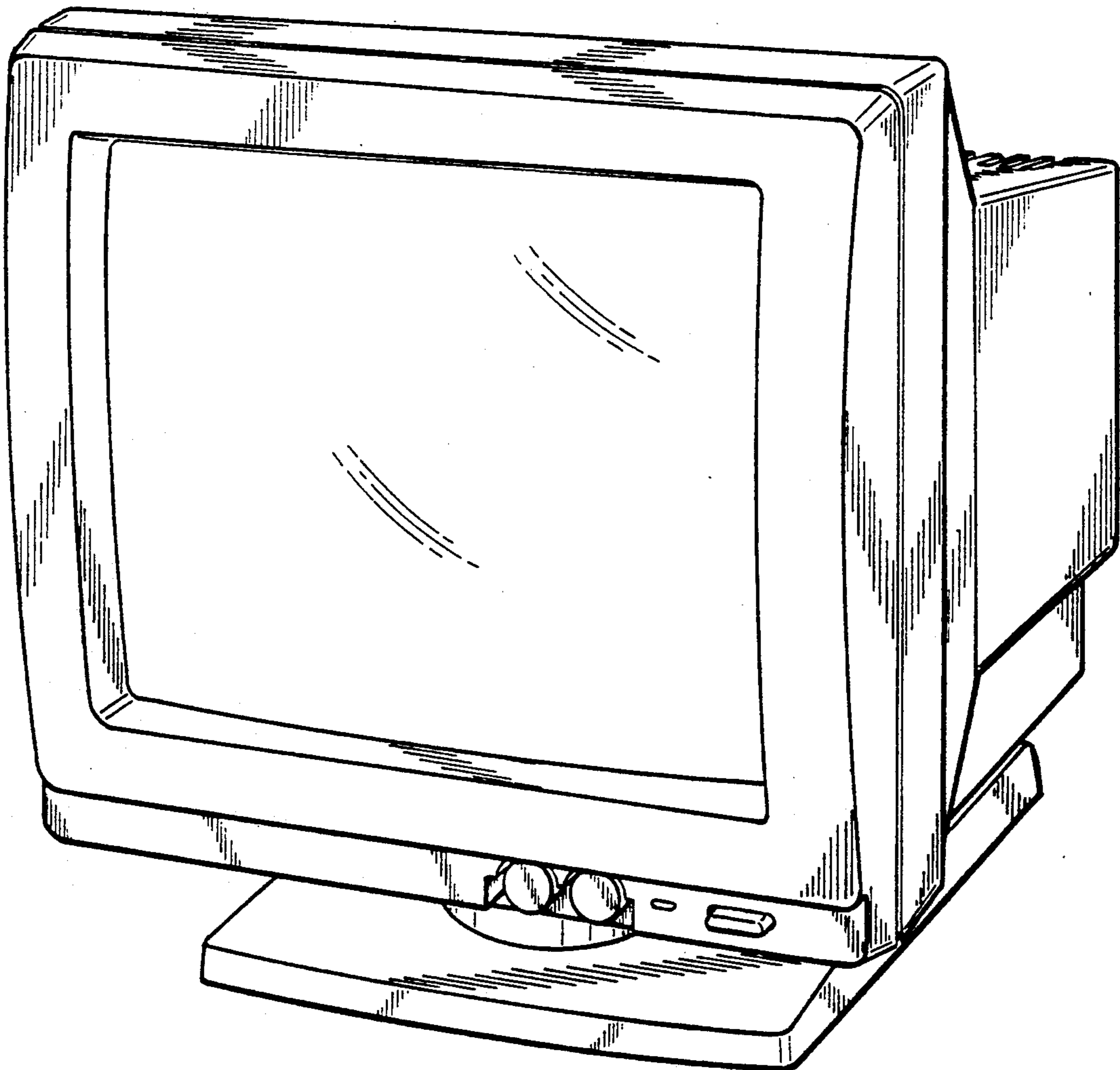
Primary Examiner—Wallace R. Burke
Assistant Examiner—Freda S. Nunn
Attorney, Agent, or Firm—W. Douglas Carothers, Jr.

[57] **CLAIM**

The ornamental design for monitor or similar article, as shown and described.

DESCRIPTION

FIG. 1 is a slightly enlarged perspective view of a monitor or similar article showing my new design; FIG. 2 is a front elevational view thereof; FIG. 3 is a rear elevational view thereof; FIG. 4 is a left side elevational view thereof; FIG. 5 is a right side elevational view thereof; FIG. 6 is a top plan view thereof; and, FIG. 7 is a bottom plan view thereof.



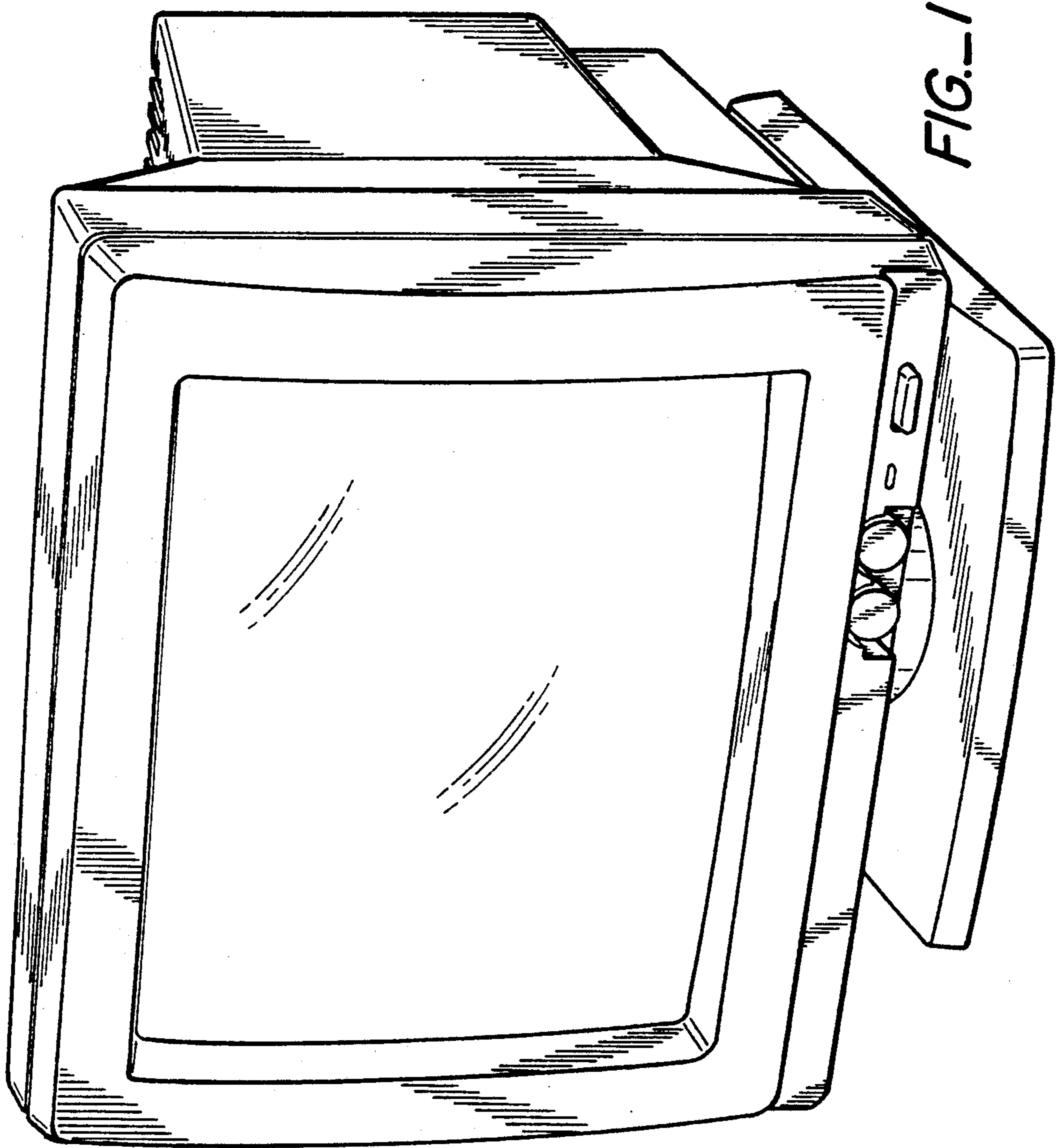


FIG. 1

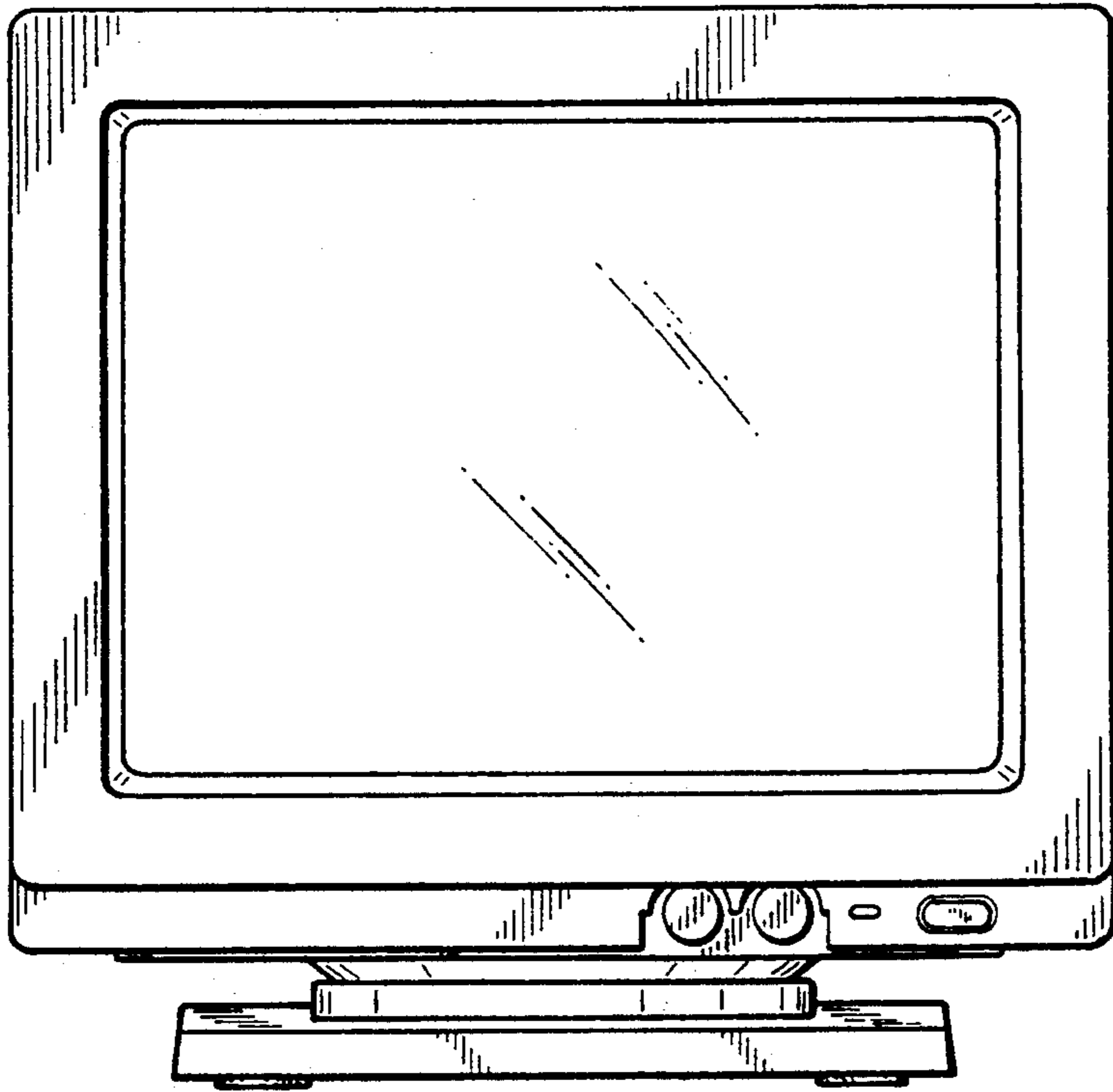


FIG. 2

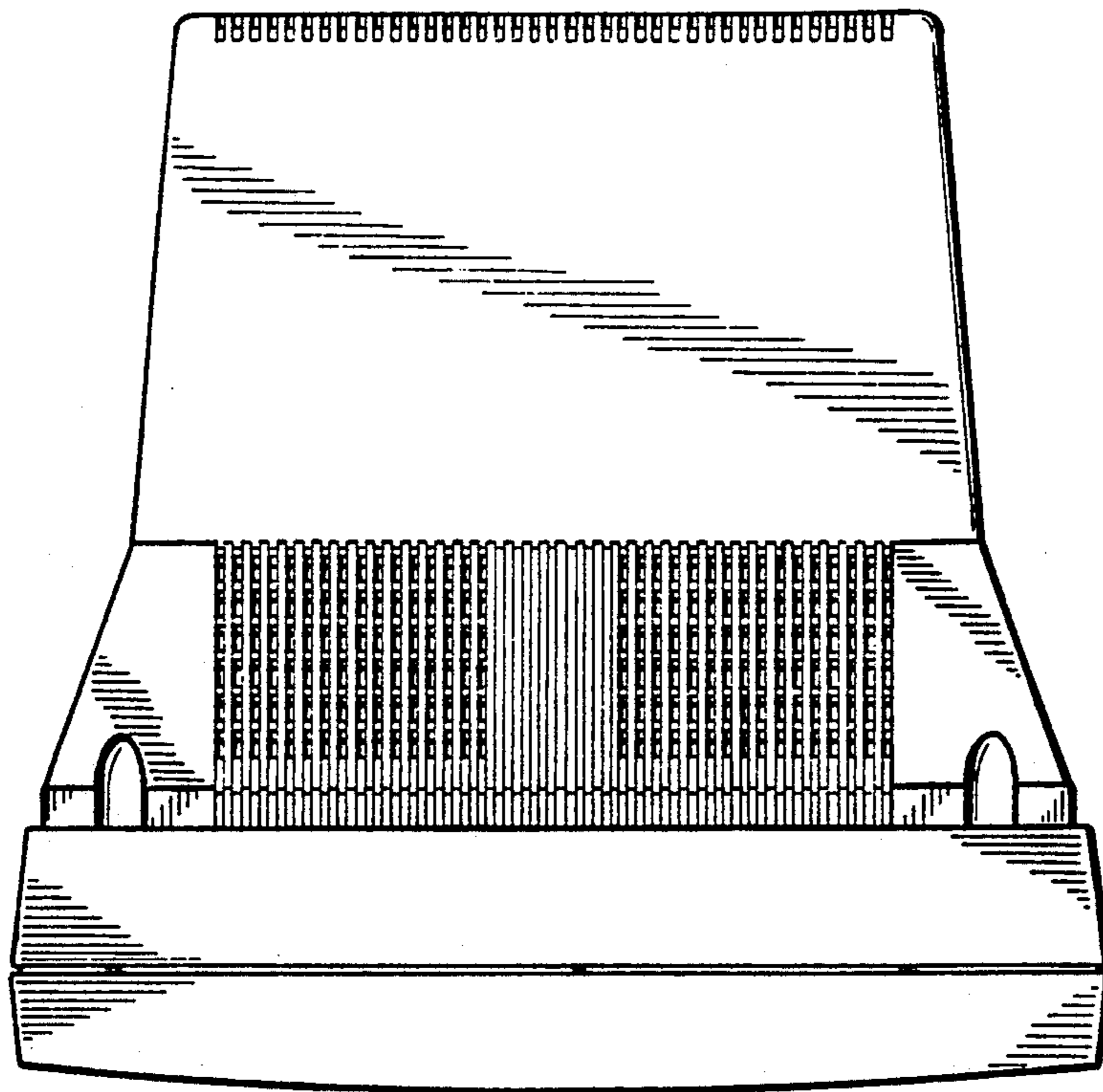


FIG. 6

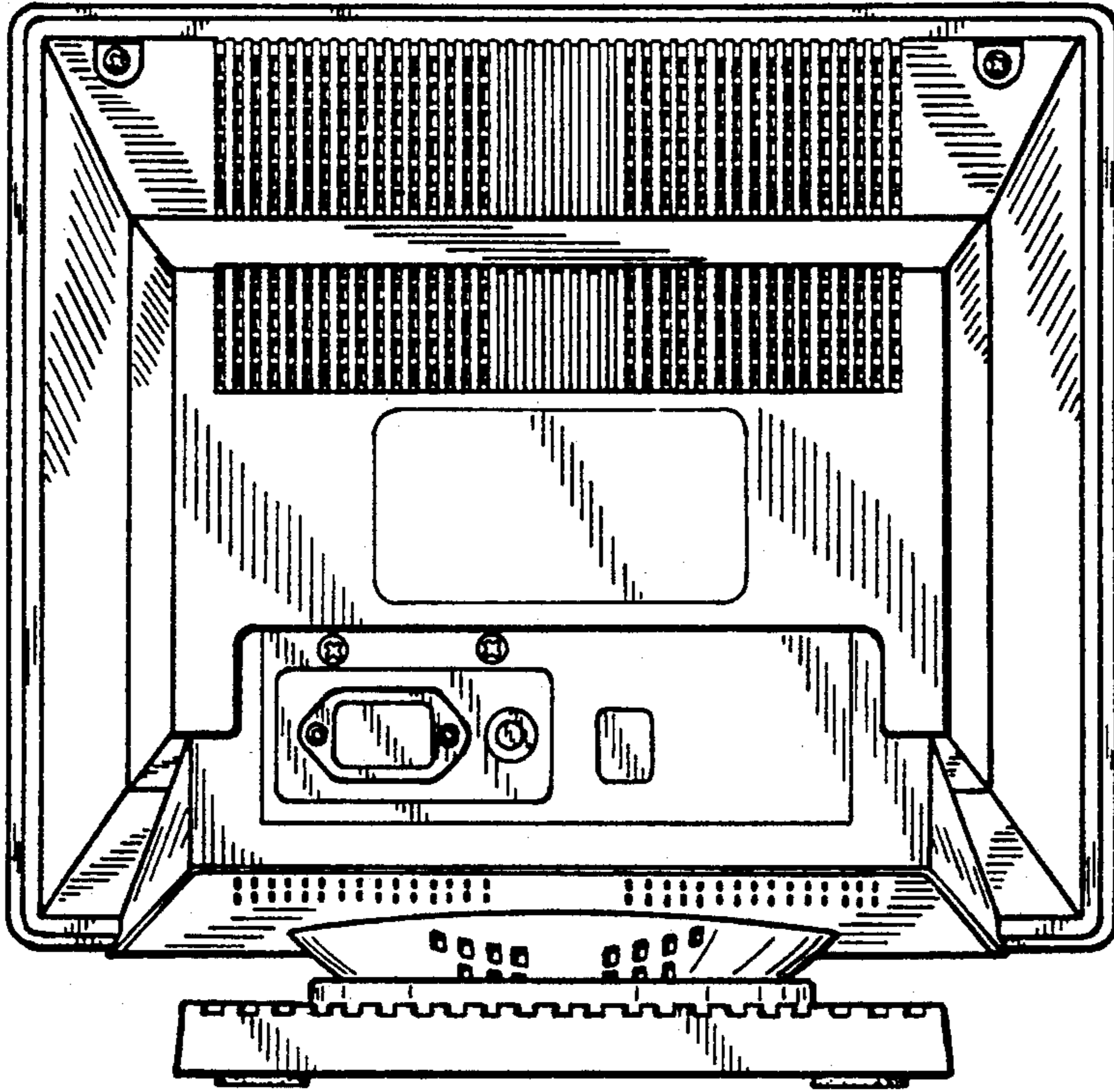


FIG. 3

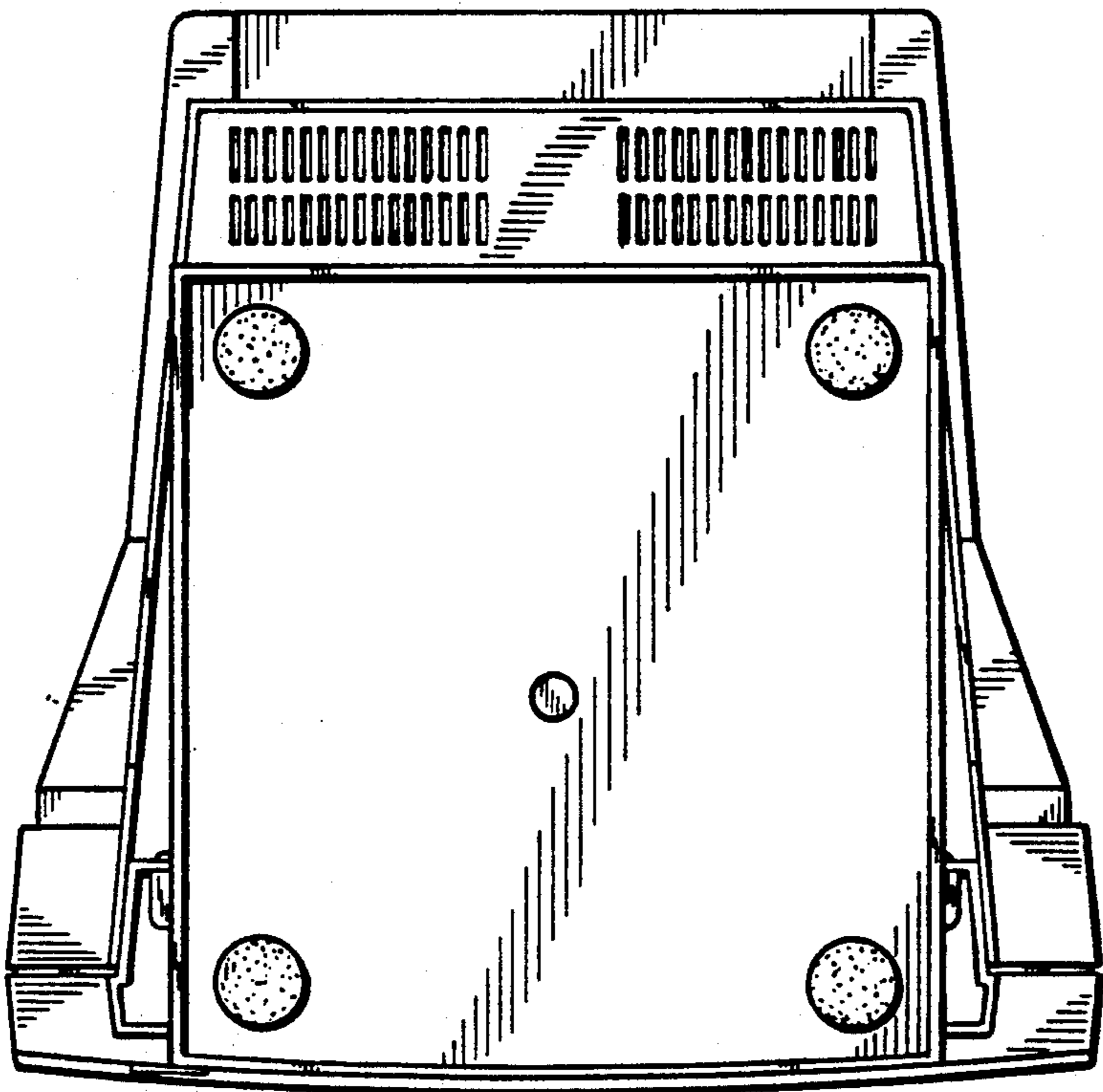


FIG. 7

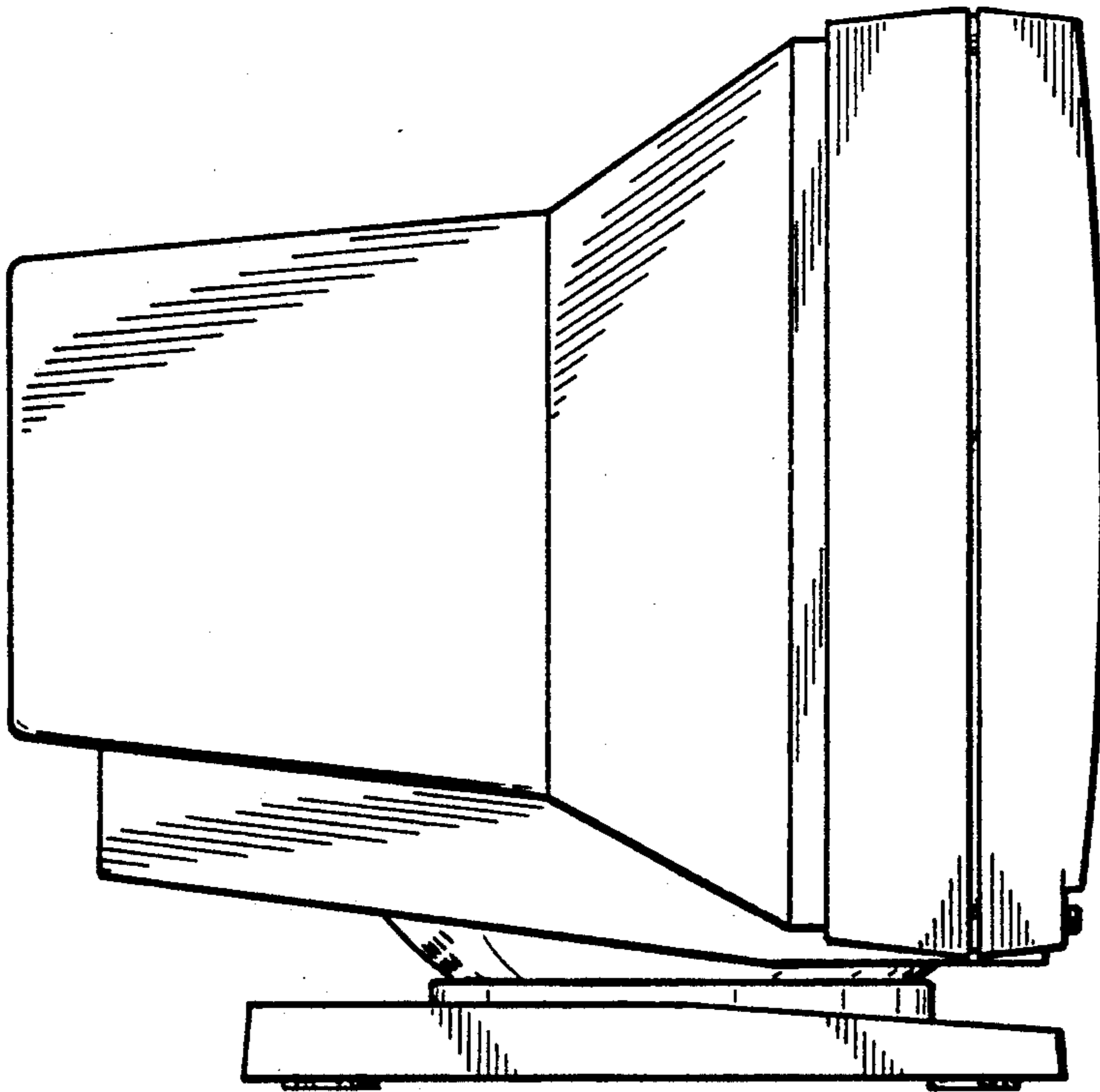


FIG. 4

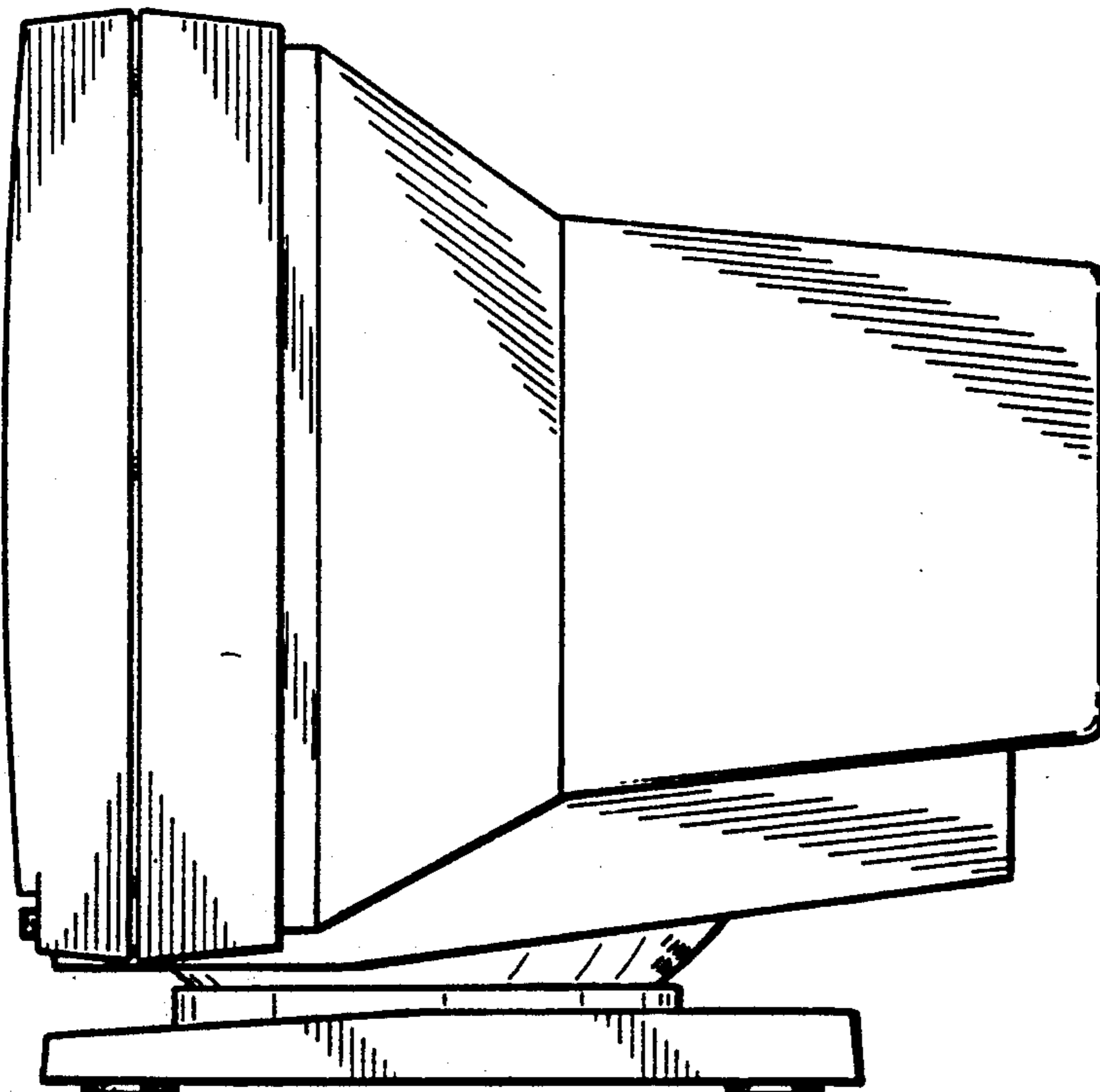


FIG. 5