



US00D326259S

United States Patent [19]

Studenski

[11] Patent Number: Des. 326,259

[45] Date of Patent: ** May 19, 1992

[54] CABLE GLAND FOR SECURING ELECTRICAL CABLES AND CONDUITS

[75] Inventor: Udo Studenski, Villingen-Schwenningen, Fed. Rep. of Germany

[73] Assignee: U.I. Lapp KG, Fed. Rep. of Germany

[**] Term: 14 Years

[21] Appl. No.: 380,645

[22] Filed: Jul. 17, 1989

[52] U.S. Cl. D13/156

[58] Field of Search D23/259-269; D13/133, 151, 156, 155; 439/382-385, 449

[56] References Cited

U.S. PATENT DOCUMENTS

D. 184,667	3/1959	Curtiss	D13/155
D. 300,603	4/1989	Hill et al.	D13/156 X
D. 303,787	10/1989	Messenger et al.	D13/156
4,222,029	9/1980	Marquis et al.	439/382 X

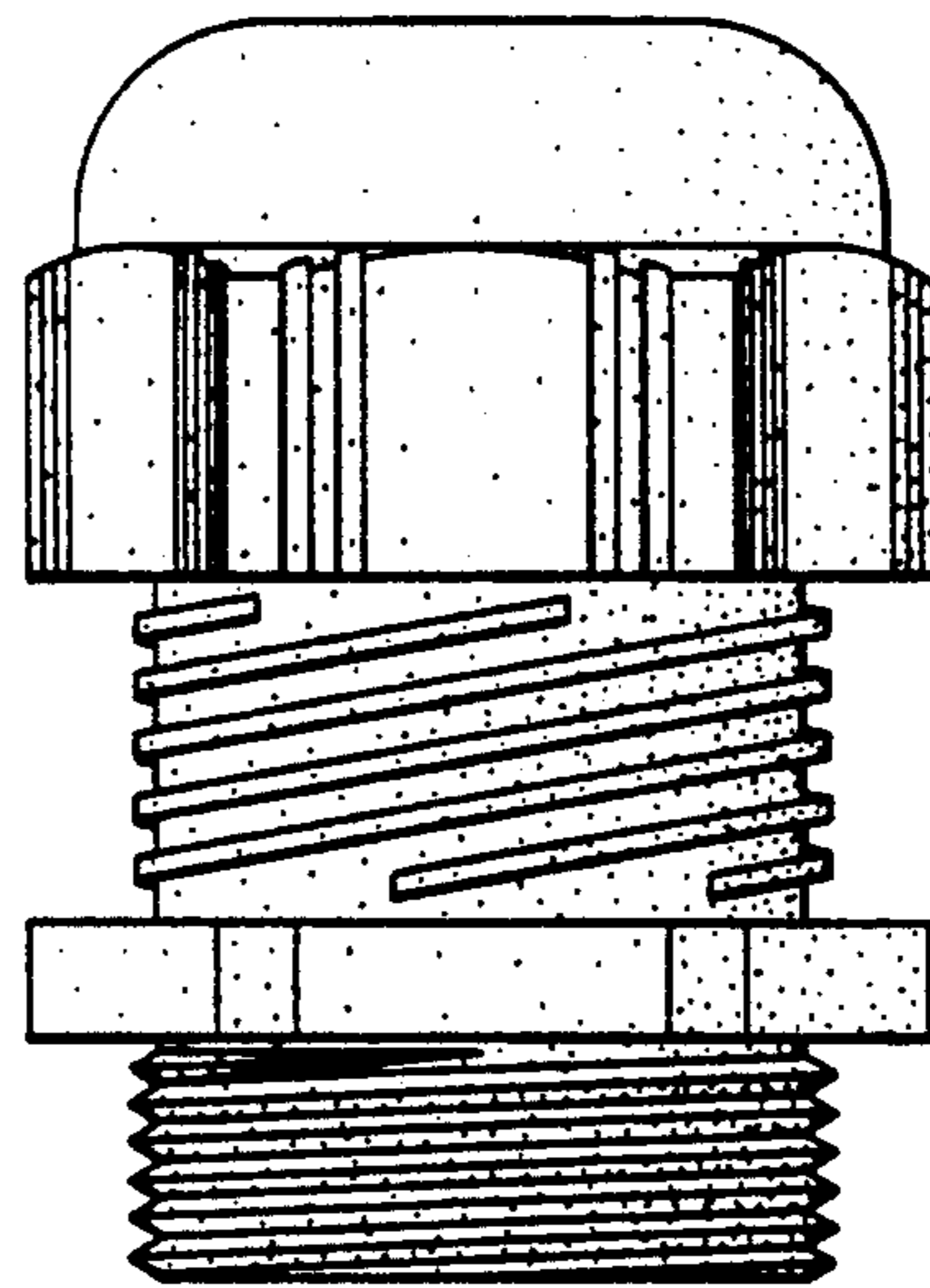
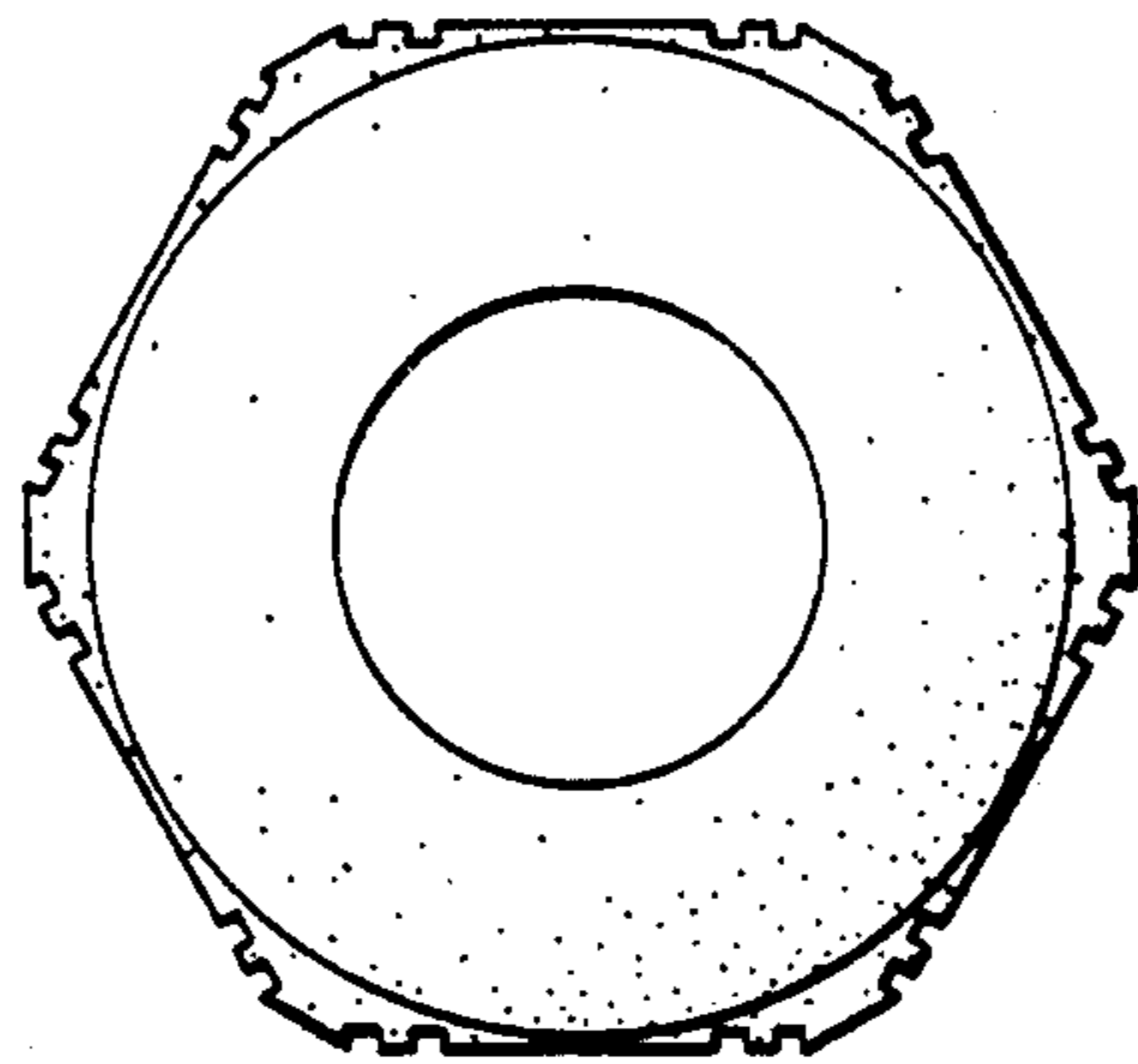
Primary Examiner—Brian N. Vinson
Attorney, Agent, or Firm—John C. Evans

[57] CLAIM

The ornamental design for a cable gland for securing electrical cables and conduits, as shown and described.

DESCRIPTION

FIG. 1 is a top plan view of a cable gland for securing electrical cables and conduits showing my new design; FIG. 2 is a front elevational view thereof, the rear being a mirror image of that shown; FIG. 3 is a right side elevational view thereof, the left side being a mirror image of that shown; and, FIG. 4 is a bottom plan view thereof.



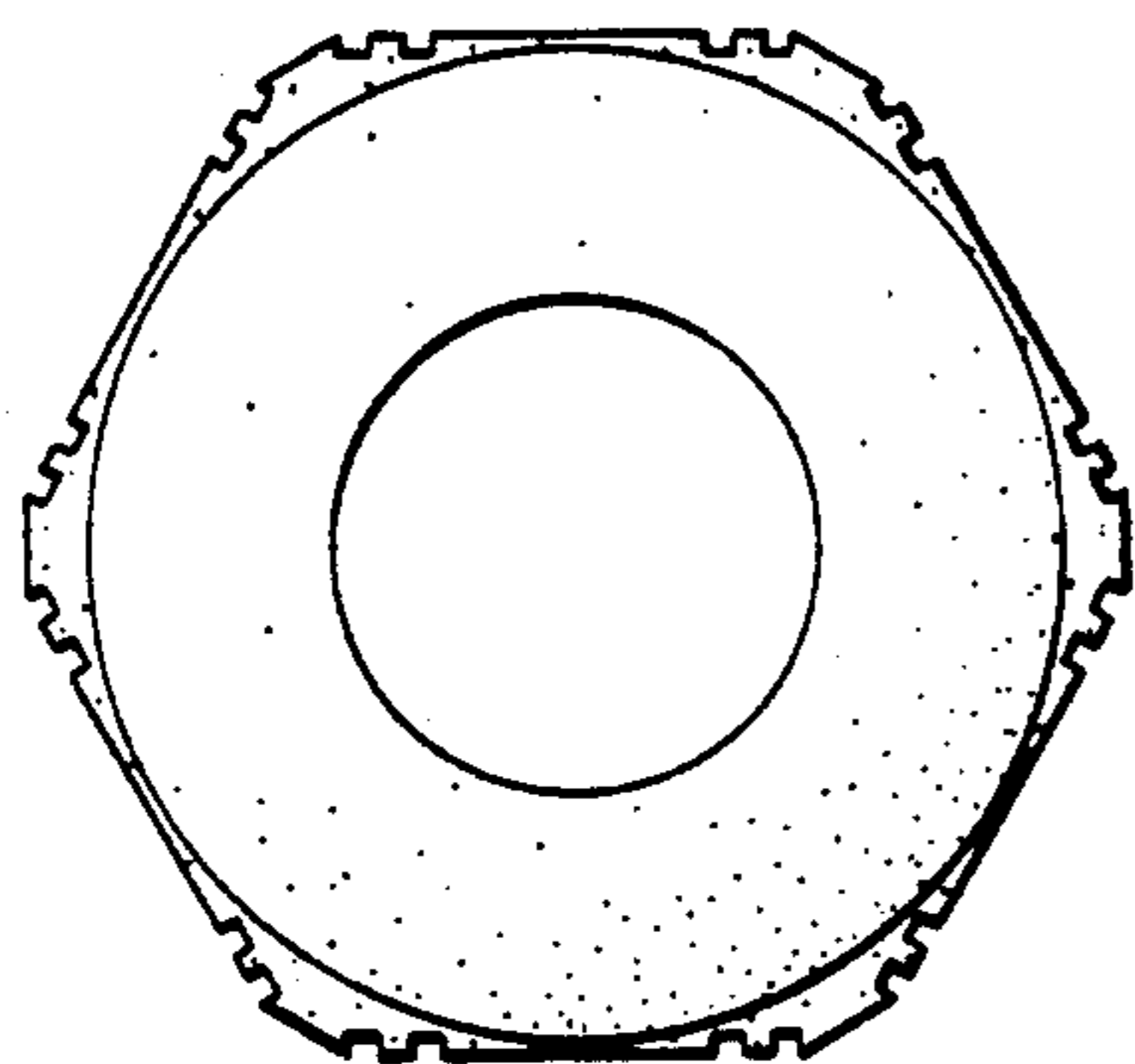


FIG 1

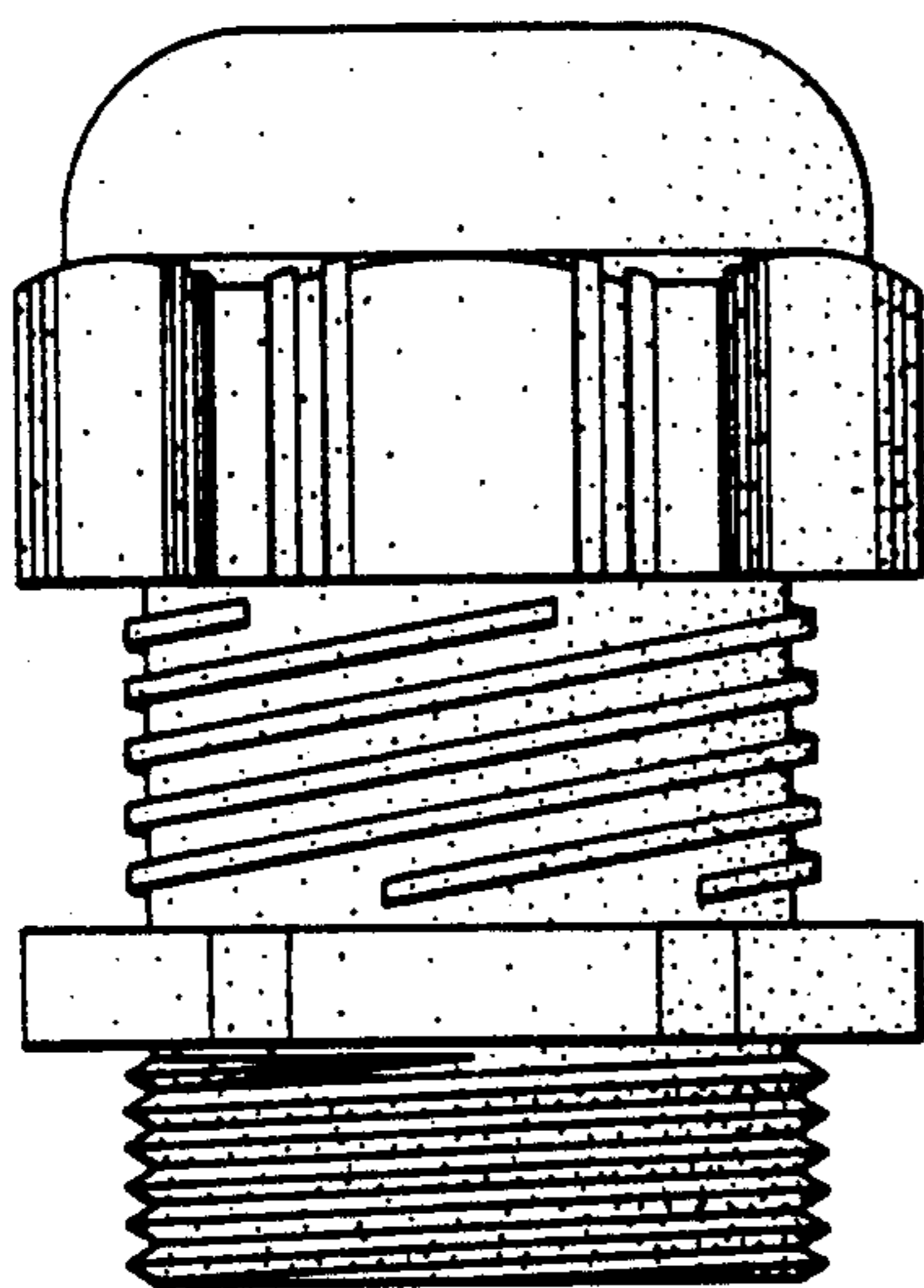


FIG 2

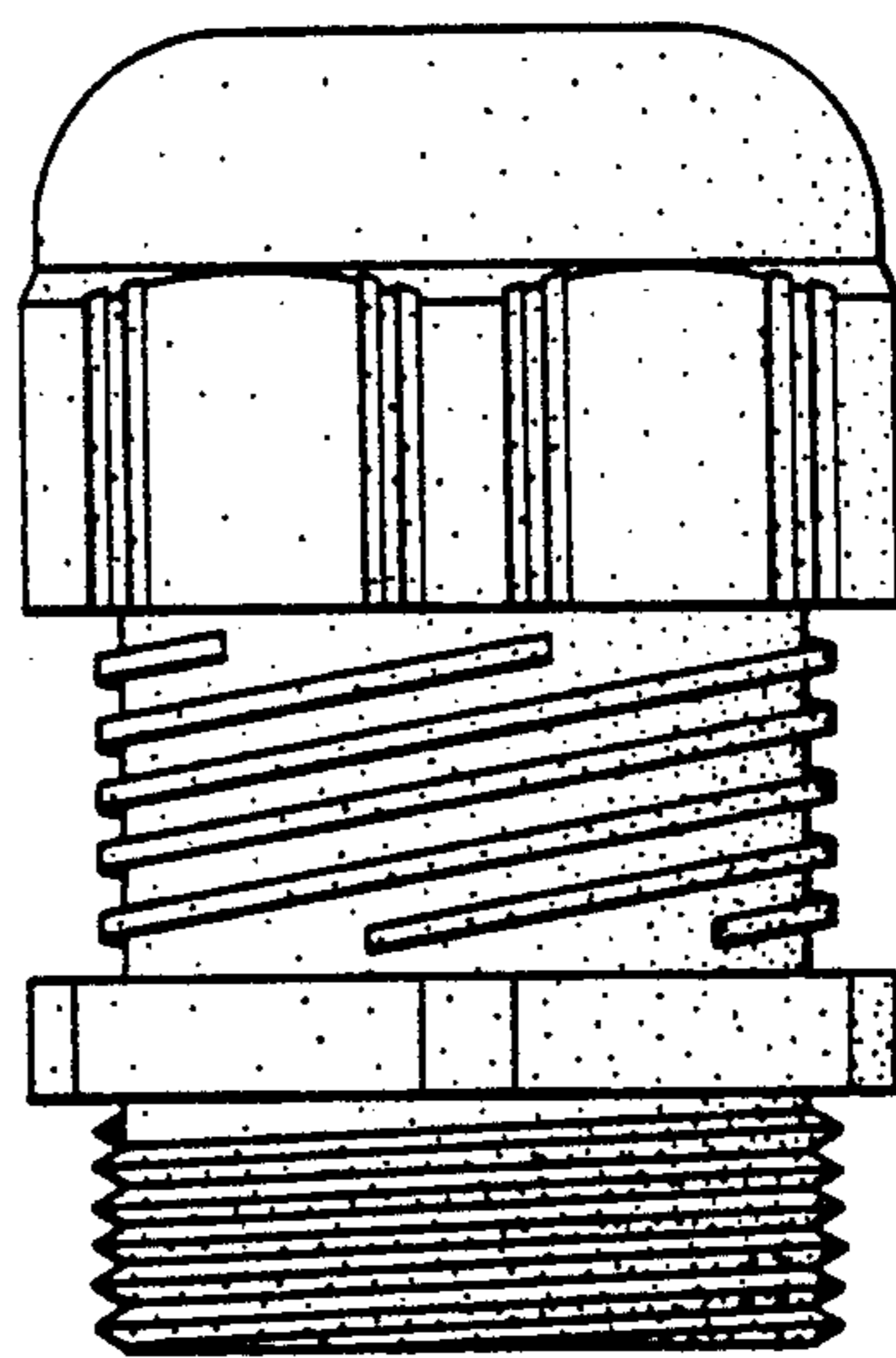


FIG 3

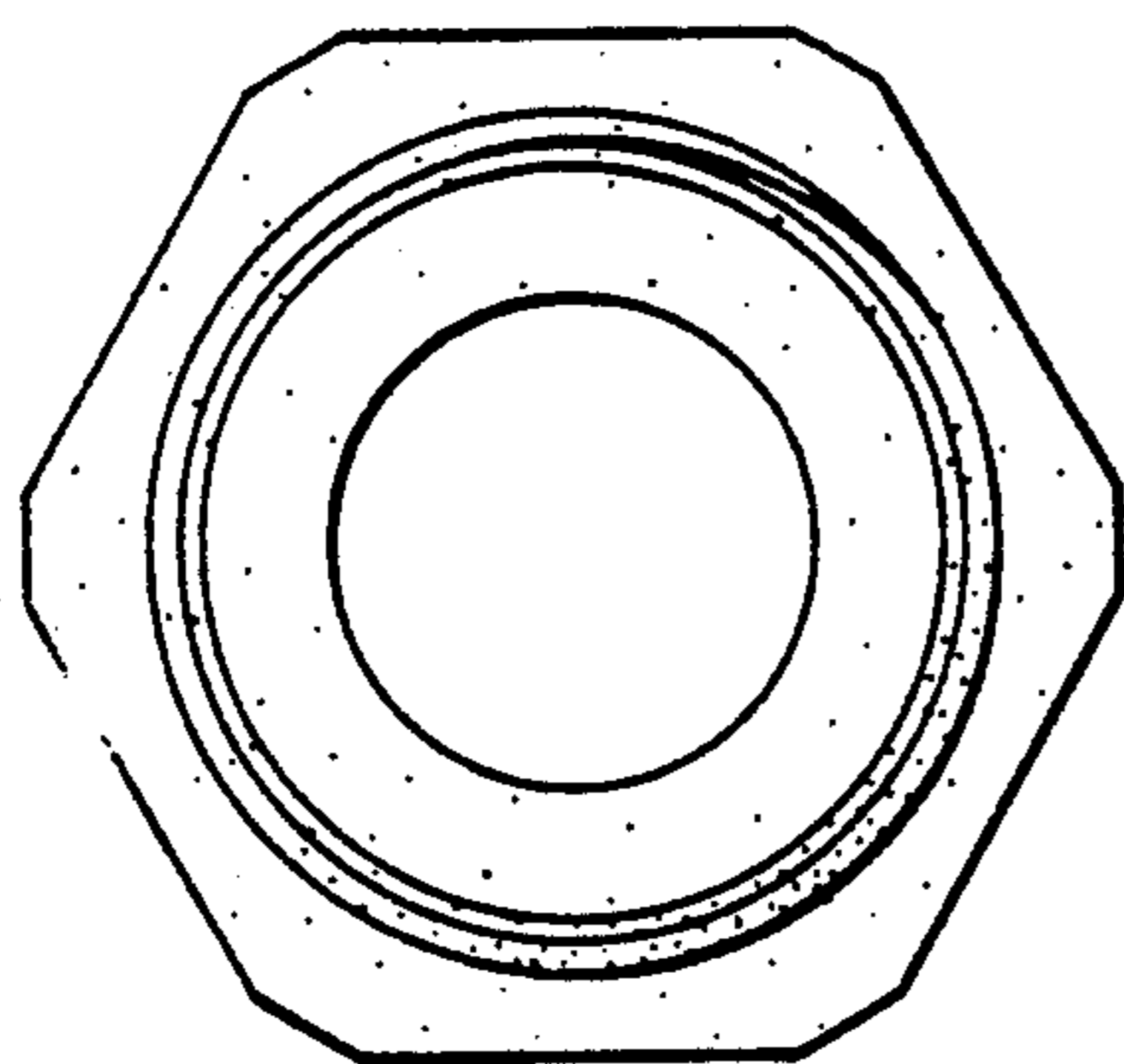


FIG 4