



US00D326258S

# United States Patent [19]

[11] Patent Number: **Des. 326,258**

Nagasaka et al.

[45] Date of Patent: **\*\* May 19, 1992**

[54] HOUSING FOR ELECTRICAL CONNECTOR

[56]

### References Cited

#### U.S. PATENT DOCUMENTS

[75] Inventors: **Yasuhiro Nagasaka; Yasuo Hirayama**, both of Toyota; **Shigekazu Wakata; Shinichi Yamada**, both of Yokkaichi; **Yoshihiro Tanaka**, Mie, all of Japan

D. 311,379	10/1990	Kuzuno et al.	.....	D13/146
D. 312,243	11/1990	Yamamoto	.....	D13/147
3,179,738	4/1965	De Lyon	.....	D13/147 X
4,593,965	6/1986	Joly	.....	439/685 X
4,655,527	4/1987	Van Dame	.....	439/350
4,842,541	6/1989	Leandris	.....	439/282 X
4,915,649	4/1990	Shimazu et al.	.....	D13/147 X
4,938,710	7/1990	Aihara et al.	.....	439/345

[73] Assignee: **Sumitomo Wiring systems, Ltd.**, Yokkaichi, Japan

*Primary Examiner*—Susan J. Lucas  
*Assistant Examiner*—J. Sincavage  
*Attorney, Agent, or Firm*—Nils H. Ljungman & Associates

[\*] Notice: The portion of the term of this patent subsequent to Mar. 24, 2006 has been disclaimed.

[\*\*] Term: **14 Years**

[57]

### CLAIM

The ornamental design for a housing for an electrical connector, as shown and described.

[21] Appl. No.: **339,634**

### DESCRIPTION

[22] Filed: **Apr. 18, 1989**

### [30] Foreign Application Priority Data

Oct. 20, 1988 [JP] Japan ..... 63-41167

[52] U.S. Cl. .... **D13/147**

[58] Field of Search ..... D13/133, 146, 147; 439/246-248, 259, 282, 296, 299, 345, 350, 351-353, 357, 358, 374, 529, 533, 575, 586, 587, 592-598, 600, 656, 668, 678, 679, 680, 682, 685, 686, 691, 692, 695, 701, 723, 724, 729

FIG. 1 is a front perspective view of a Housing for an Electrical Connector showing our new design; FIG. 2 is a front elevational view thereof; FIG. 3 is a rear elevational view thereof; FIG. 4 is a top plan view thereof; FIG. 5 is a bottom plan view thereof; FIG. 6 is a right side elevational view thereof, the left side elevational view being a mirror image; and, FIG. 7 is a cross-sectional view thereof taken along line 7-7 of FIG. 2.

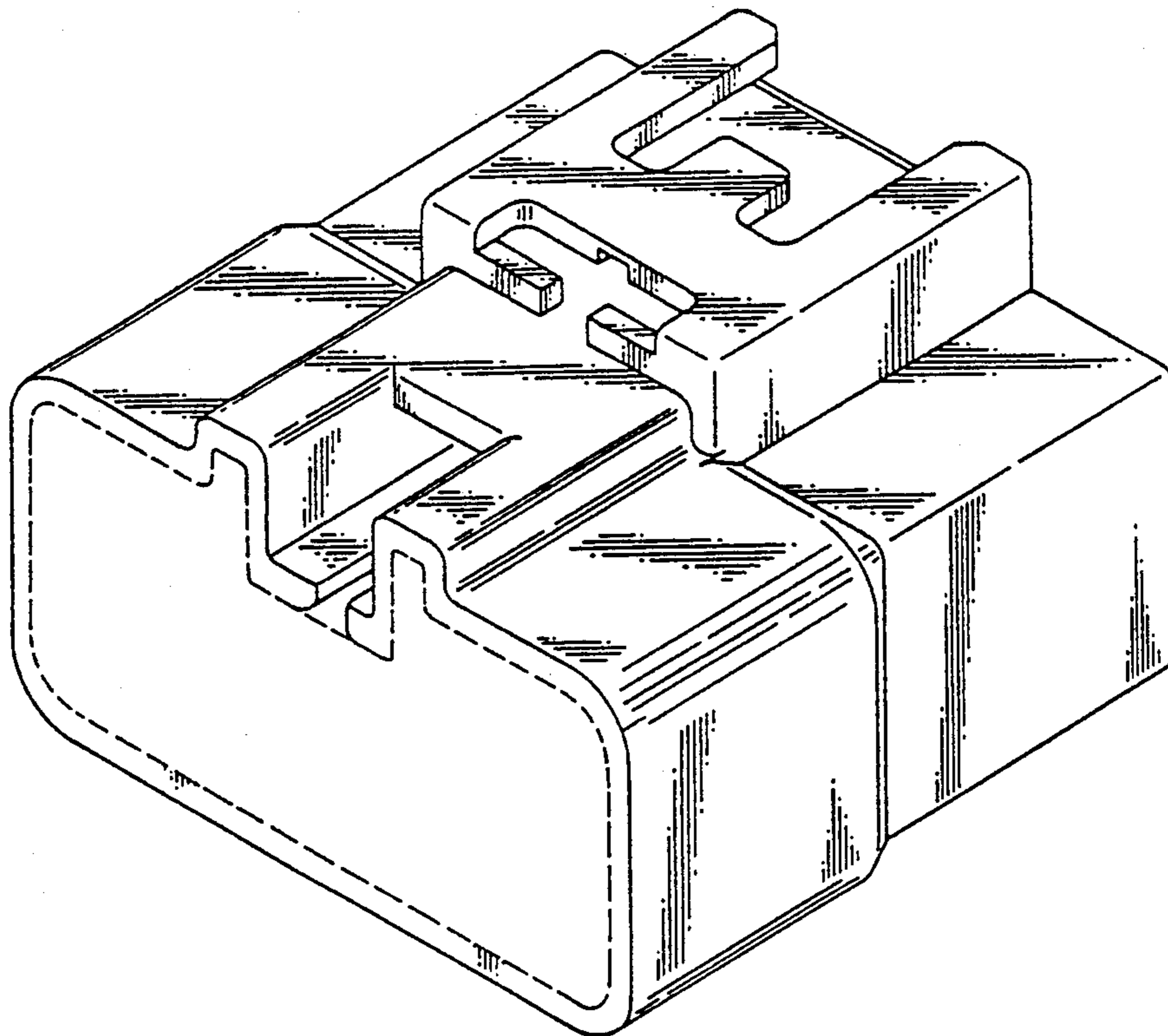


FIG. 1

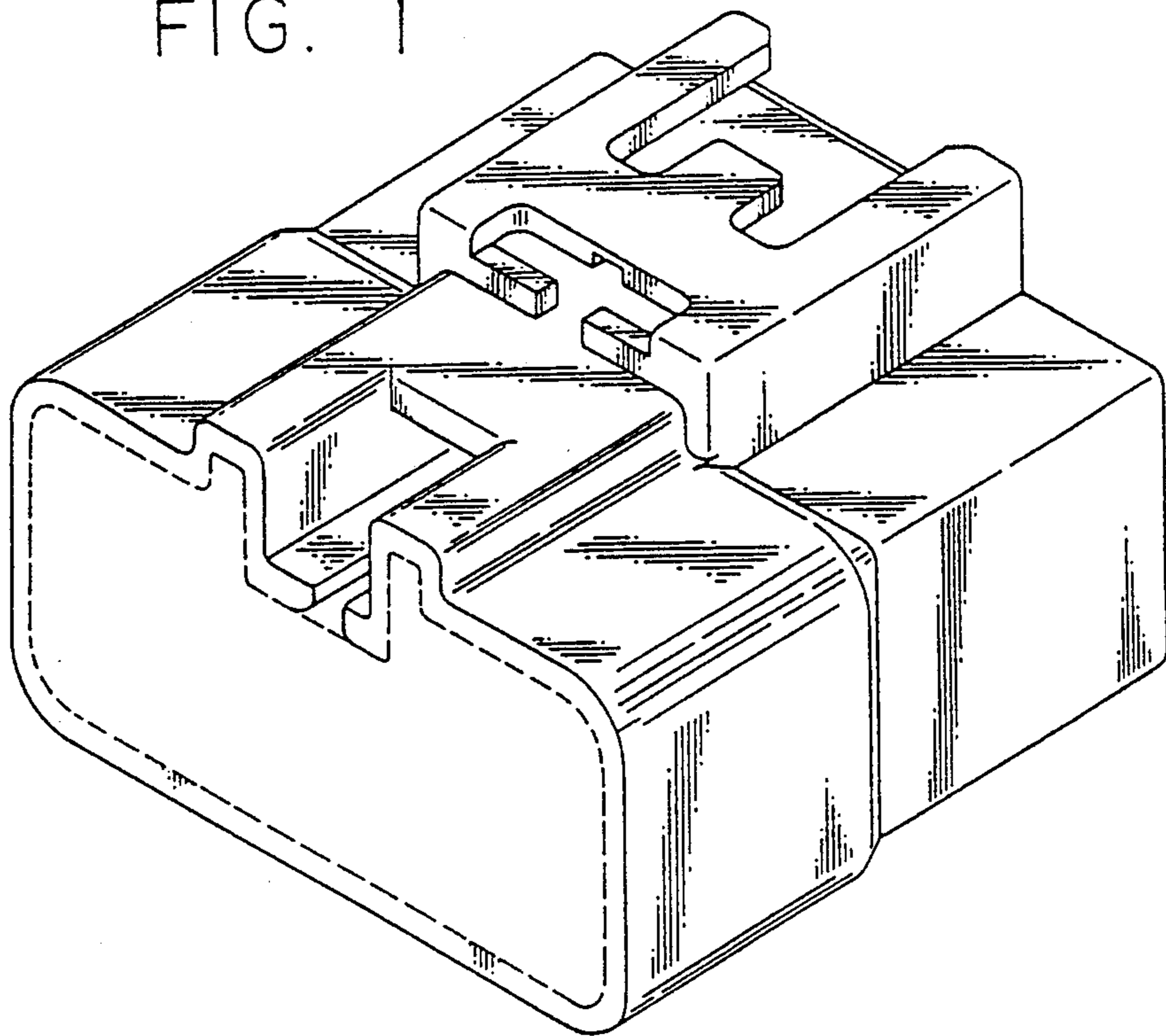


FIG. 2 └ 7

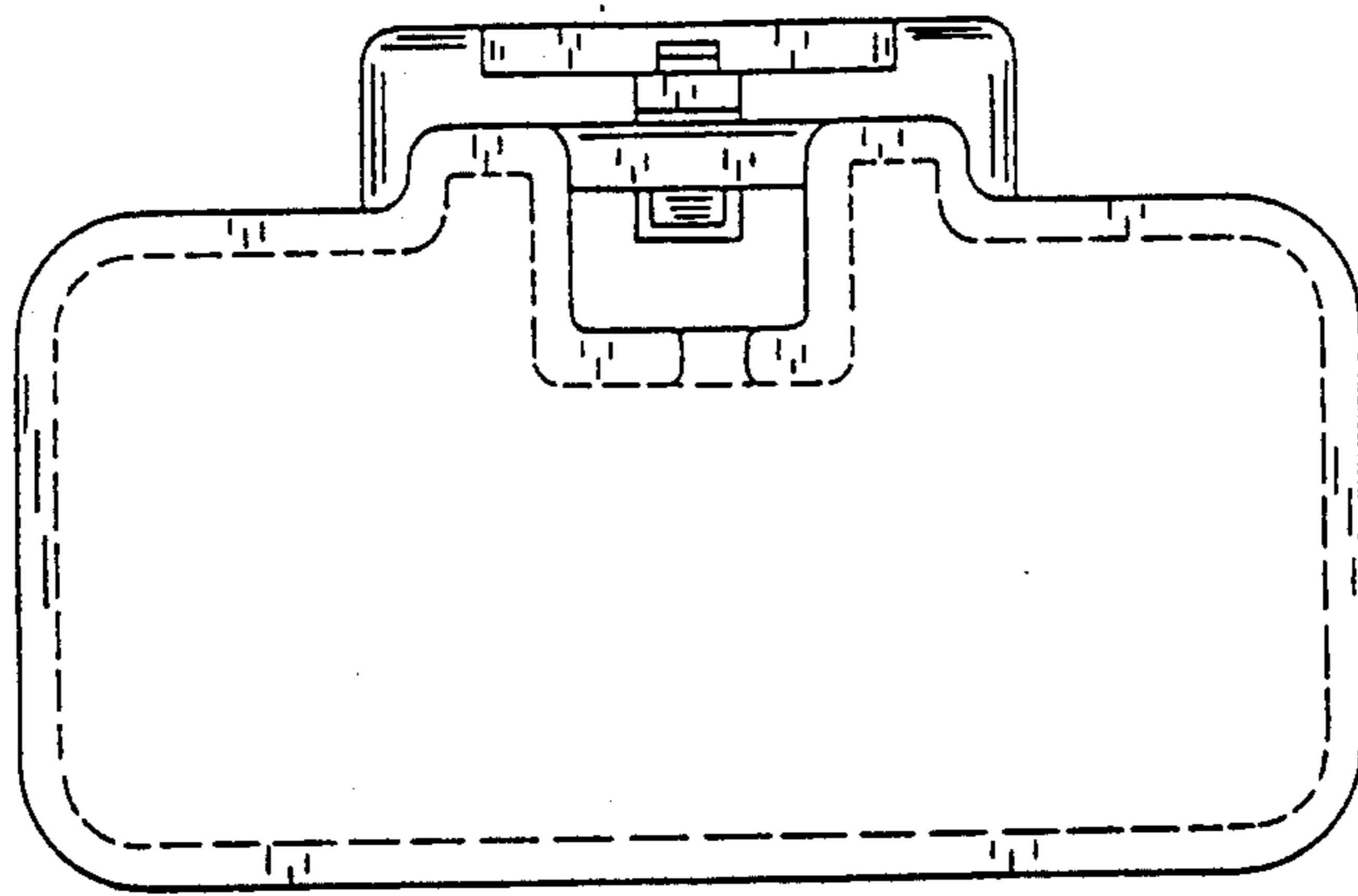


FIG. 3 └ 7

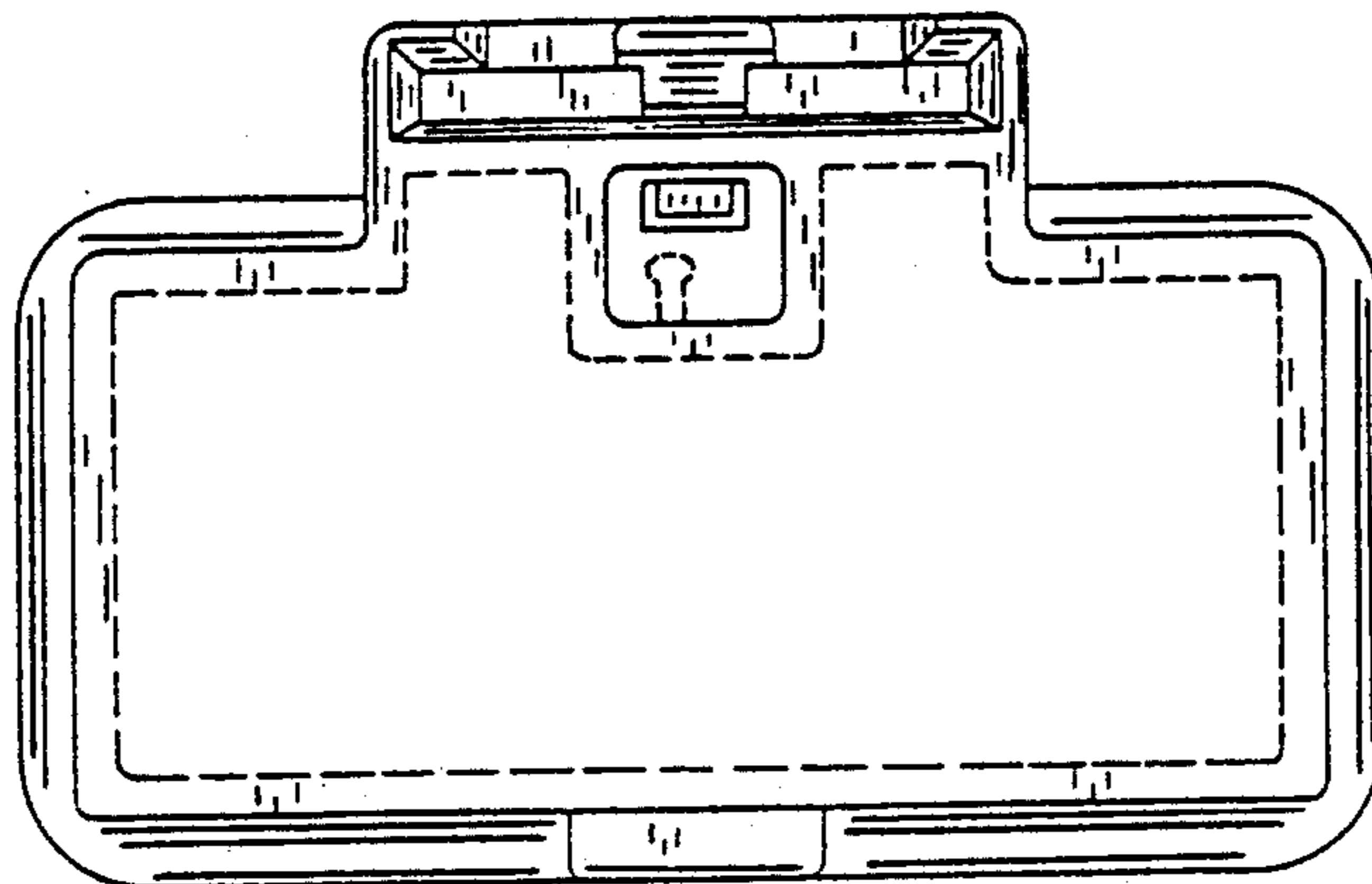


FIG. 4

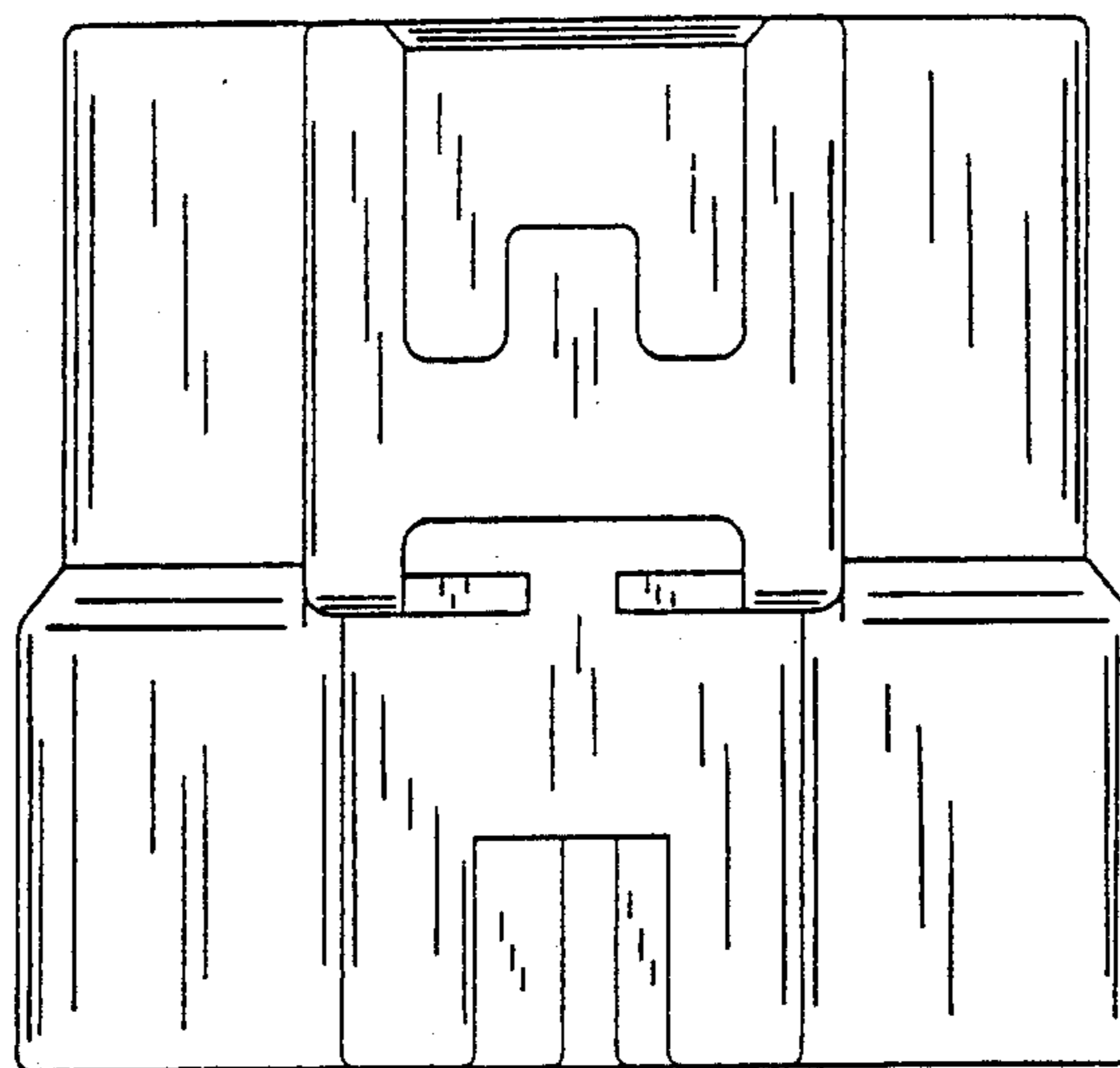


FIG. 5

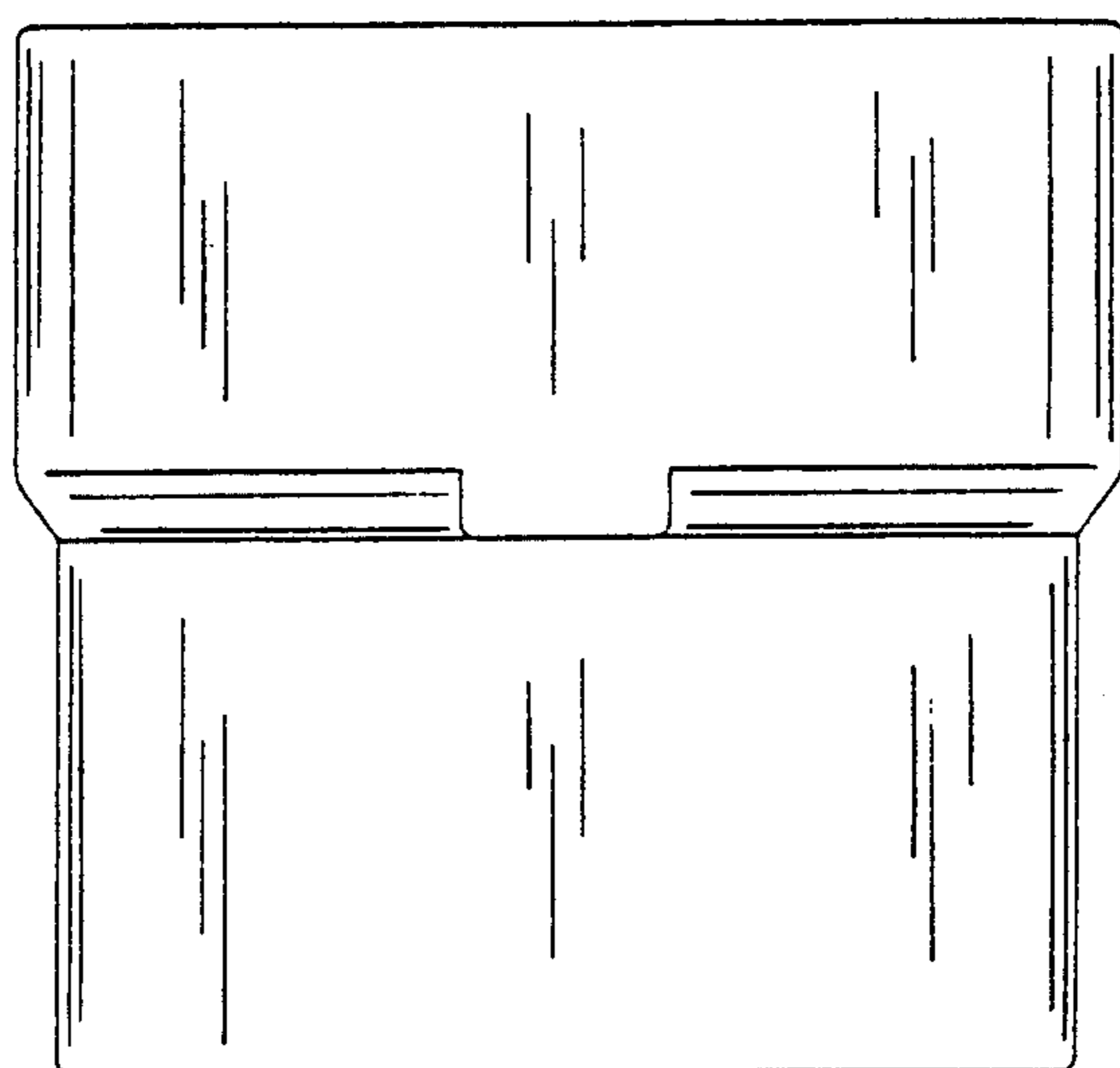


FIG. 6

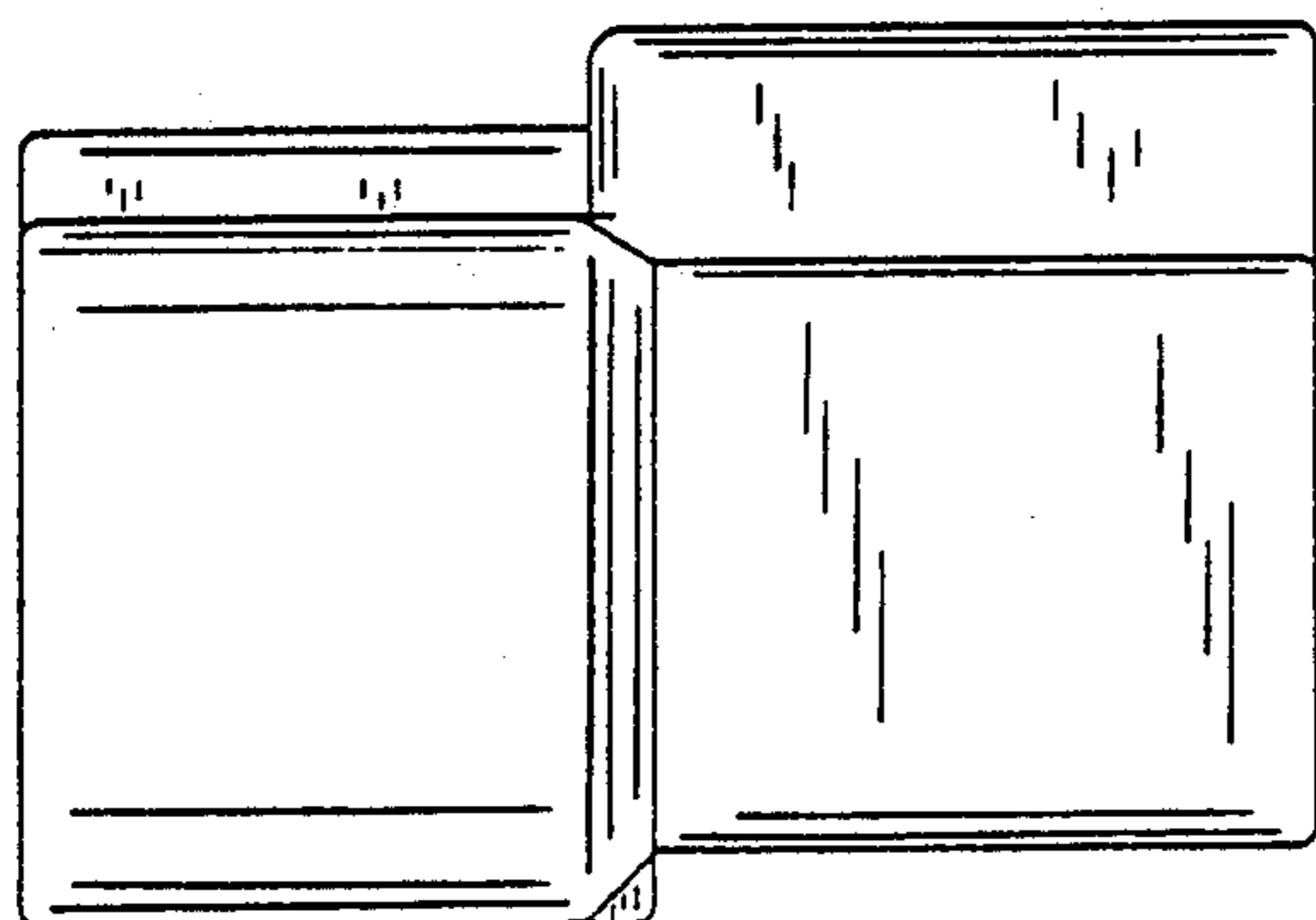
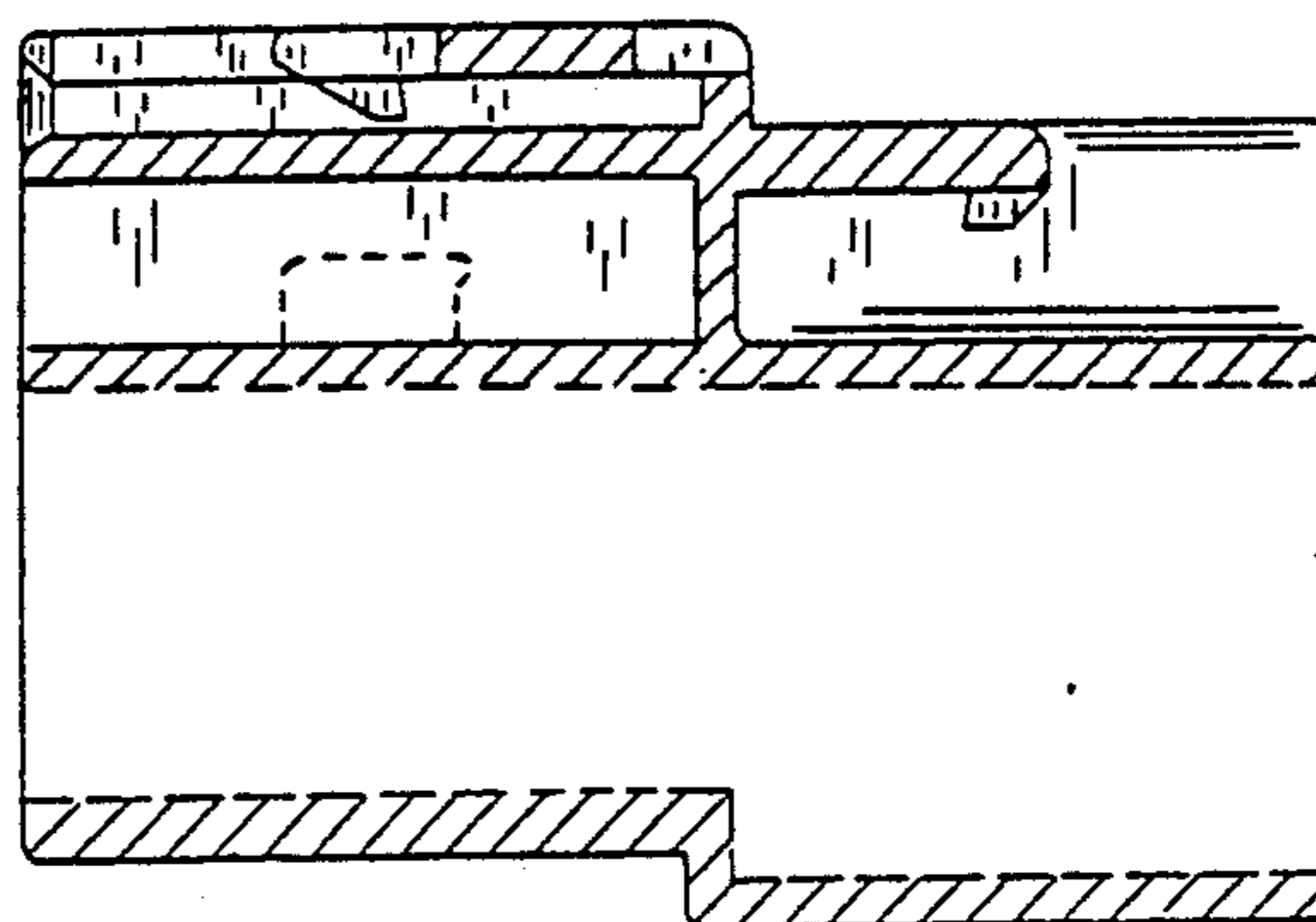


FIG. 7



UNITED STATES PATENT AND TRADEMARK OFFICE  
**CERTIFICATE OF CORRECTION**

PATENT NO. : Des. 326,258  
DATED : May 19, 1992  
INVENTOR(S) : Yasuhiro Nagasaka, et. al.

It is certified that error appears in the above-identified patent and that said Letters Patent is hereby corrected as shown below:

On the Title page, item [57], under the Description, after the last line insert the following paragraph:

--The broken line showing, of the end apertures and of the projection, throughout the drawing figures is included for the purpose of illustrating environmental elements only and forms no part of the claimed design--.

Signed and Sealed this

Twenty-eighth Day of September, 1993



Attest:

BRUCE LEHMAN

Attesting Officer

Commissioner of Patents and Trademarks